

# Snooker®



## HD-130B

### Hotel Ice Dispenser



Image shown with SK-329 Ice Machine Head

### Features

- ETL/ETLS Certification
- Only 22" wide
- 132 lbs storage capacity
- Stainless steel exterior
- Easy to operate and maintain
- Efficient ice dispensing
- Adjustable feet
- HD-130B ice dispenser bin is compatible with 22" ice machine heads
- Ice machine sold separately



**Standard Warranty**  
**1 year parts and labour**

### Operating Requirements

**Minimum**      **Maximum**

**Ambient Air Temperature**

5 °C (41 °F)      40 °C (104 °F)

**Water Temperature**

5 °C (41 °F)      35 °C (95 °F)

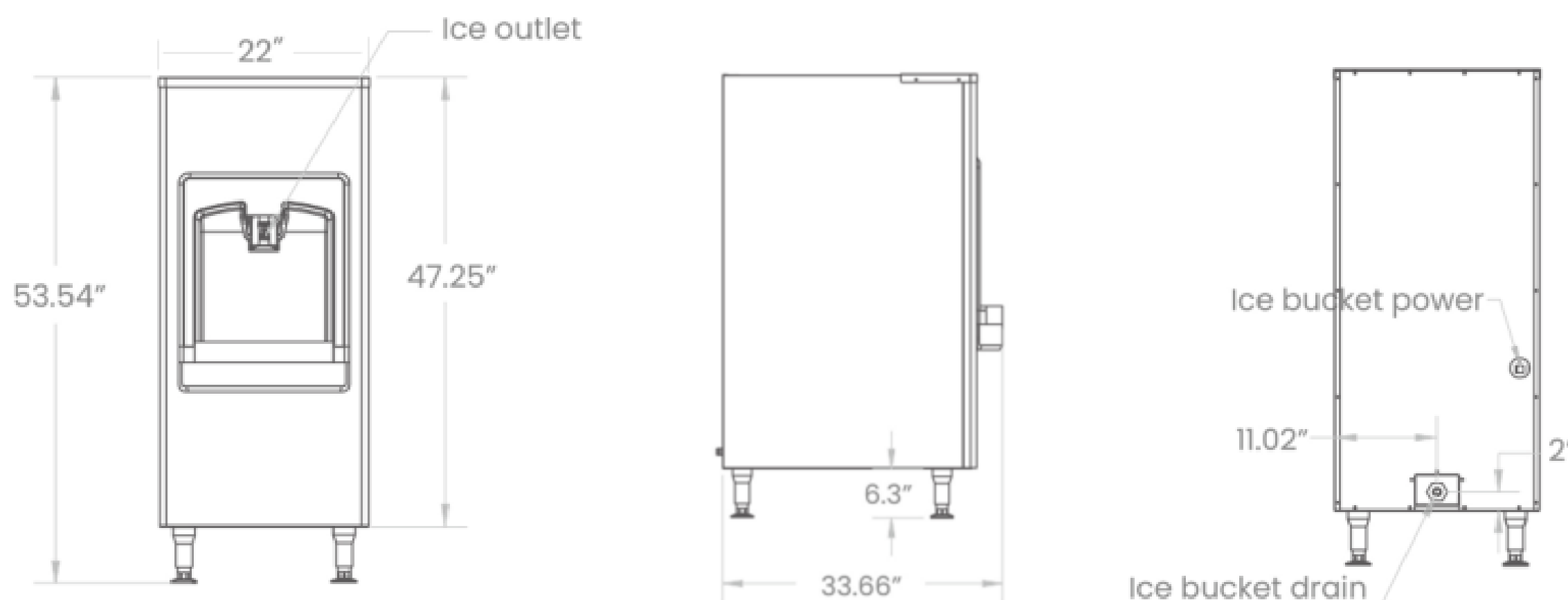
### Ice Forms



Full Cube (mm)  
22 x 22 x 22



Half Cube (mm)  
22 x 13 x 22



Voltage	Ice Storage	Dimensions (W x D x H)	Net Weight	Shipping Dimensions (W x D x H)	Gross Weight	Capacity
115/60/1ph	132 lbs	22 x 33.7 x 53.5	169 lbs	25.4 x 36.14 x 49.21	183 lbs	11 lbs /min



**Canada** Proud Canadian Distributor:  
**WESTERN REFRIGERATION & BEVERAGE EQUIPMENT LTD.**

1-888-443-1946 | info@wr.ca | www.wr.ca

