

Snooker®



B-305

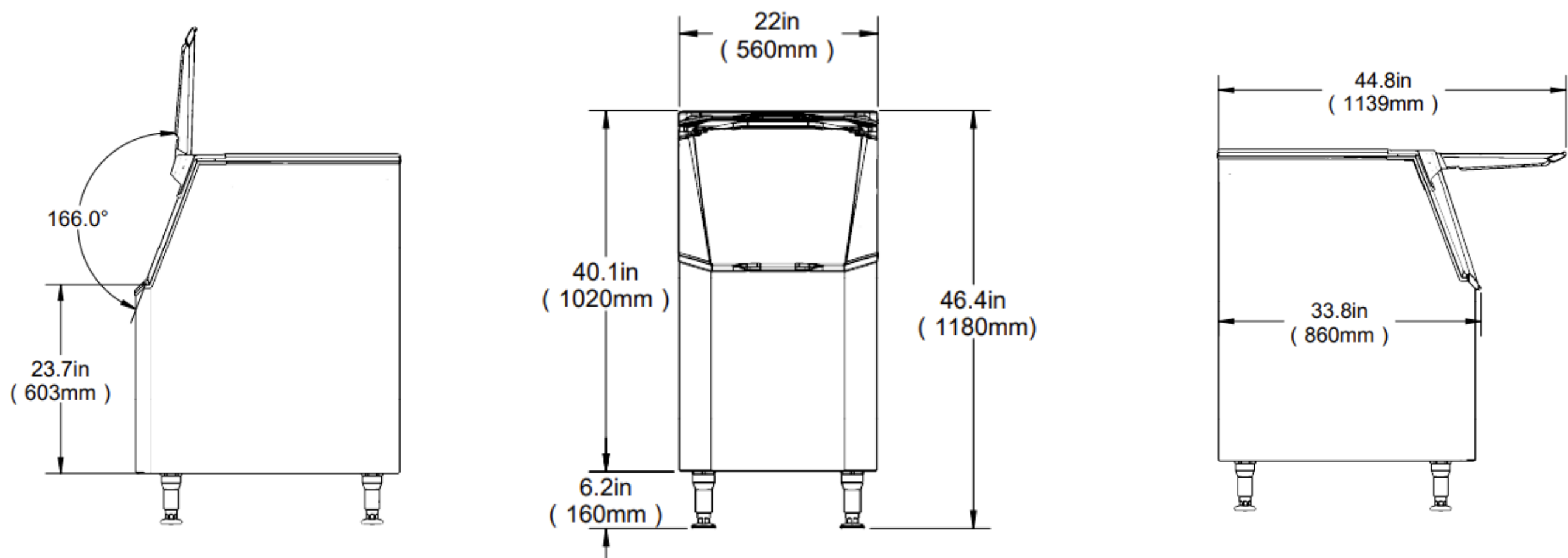
Ice Storage Bin



Standard Warranty
1 year parts and labour

Features

- ETL/ETLS Certification
- 275lbs ice storage capacity
- Strong polyethylene one piece liner to stand up to impacts from falling ice
- Rounded interior corners for easy cleaning
- Stainless steel exterior
- Adjustable feet
- Ice bin is compatible with 22" ice machine heads
- Ice machine sold separately



Ice Storage	Dimensions (W x D x H)	Net Weight	Shipping Dimensions (W x D x H)	Gross Weight
275 Lbs	22" x 33.8" x 46.4"	90 Lbs	42" x 42" x 51.4"	140 Lbs



 **Proud Canadian Distributor:**
WESTERN REFRIGERATION & BEVERAGE EQUIPMENT LTD.

1-888-443-1946 | info@wr.ca | www.wr.ca

