


FLOS

 D304F01ADEAD1 Wood

Seki-Han Floor

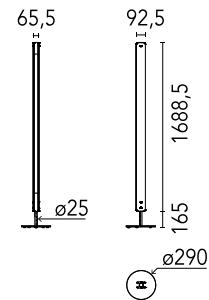
Designed by Tobia Scarpa, 2025

LED retrofit - 22W - 2700K - CRI> 80



Floor lamp emitting direct and indirect light with symmetrical and asymmetrical distribution. Features two vertical ash wood blades joined by chrome-plated metal fittings. Blades rotate around a central tubular light source to allow variable light emission. Raw black iron base separated from the vertical blades by a collar. Custom-developed dimmable linear LED light source. The lamp can also be fitted with standard T8 LED tubes.

Designed by Tobia Scarpa in 1963 and reissued in 2025, Seki-Han is testament to his mastery of design and woodworking expertise. The intricate construction draws on naval techniques to shape two wooden blades that now rotate around the light source. Even when almost completely closed, a sliver of light remains visible, creating a highly poetic effect. Named after a traditional Japanese rice dish served on special occasions, Seki-Han is a living presence where the immateriality of light meets the tactility of wood.



Are you a professional and your project needs consulting and support?

[BOOK AN APPOINTMENT](#)

Download

[Mounting instructions](#)  PDF

[Mounting instructions](#)  PDF

Ecodesign and Energy Labelling

This product contains a light source of energy efficiency class D

Main specifications

EAN	8059607076323
Mounting	Floor
Environments	Indoor dry location
Light source type	Bulb
Light sources included	Yes
Lamp category	LED retrofit
Lamp type	T8
Lamp holders	G13
Bulb finish	Opal
Number of lamps	1
Power (W)	22

Physical

Colour	Wood
Length (mm)	290
Cord length (mm)	2100
Net weight (kg)	9.3
Package volume (m3)	0.09
IP internal	20



Photometric

Lighting type	Total
Light distribution	Asymmetric
CCT (K)	2700
CRI>	80
Extreme cut off	No

Electrical

Insulation class	II
Frequency (Hz)	50/60
Main voltage (Vac)	220-240
Dimmable	Yes
Dimming interface	Dimmer Integrated
Plug type	Type C

Bulbs

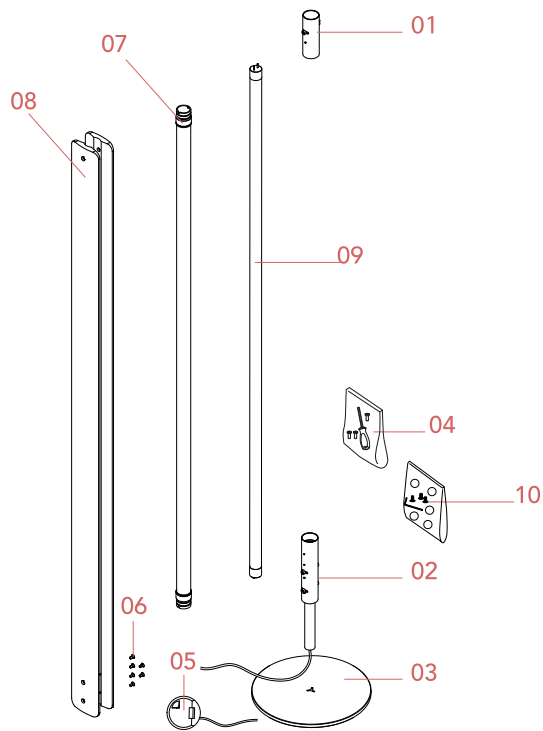


INCLUDED

RF37818

Seki-Han G13 Led light source

Spare Parts



- | | | |
|-----|--|-----------|
| 01. | Seki-Han F Upper joint assembly | RF37760 |
| 02. | Seki-Han F Lower joint assembly | RF3040200 |
| 03. | Seki-Han F Black base | RF37794 |
| 04. | Fixing screws kit | RF0254100 |
| 05. | Led Rondo' dimmer 220/240v 40-250w – 100/127v 10-150w - 4-100w | RF28045 |
| 06. | Seki-Han body screws kit | RF3040100 |
| 07. | Seki-Han glass diffuser assembly | RF37777 |
| 08. | Seki-Han ash wood blades | RF37780 |
| 09. | Seki-Han G13 Led light source | RF37818 |
| 10. | Seki-Han F Assembly kit with screws, allen key and feet | RF3040300 |



RF37760

Seki-Han F Upper joint assembly



RF3040200

Seki-Han F Lower joint assembly



RF37794

Seki-Han F Black base



RF0254100

Fixing screws kit



RF28045

Led Rondo' dimmer 220/240v 40-250w - 100/127v 10-150w - 4-100w



RF3040100

Seki-Han body screws kit



RF37777

Seki-Han glass diffuser assembly



RF37780

Seki-Han ash wood blades



RF37818

Seki-Han G13 Led light source



RF3040300

Seki-Han F Assembly kit with screws, allen key and feet