

This guide explains the steps necessary to install or retrofit the T8 tube light and ensure optimal performance. This guide is for reference only and is intended for qualified electricians or lighting technicians. These instructions are for T8 Double Ended LED Tubes only! These instructions will not work for Single Ended LED Tubes.



Warning:

- Risk of electric shock! Ensure that power is off when doing retrofit/installation of the LED Fixture.
- LED Tubes should be installed by a qualified electrician or technician.

User Responsibilities:

It is the responsibility of the contractor, installer, purchaser, owner and user to install, maintain and operate the device in such a manner as to comply with all state and local laws, ordinances and regulations.

Instructions

1. Disconnect power to fixture at source. **DO NOT SIMPLY SWITCH OFF FIXTURE.**
2. Ensure you are working with standard Fluorescent Light Fixture.
Note: Your fixture may have more than 1 tube light and may / may Not have a starter.
3. **Unpack the LED Tube Light:**
 - Unpack and carefully examine product.
 - Remove plastic caps from ends of LED tubes.
 - Do not use the product if it is damaged.



4. Open the fixture housing. Cut wires and remove ballast. Remove the starter if exists. Dispose of removed ballast and fluorescent lamps in accordance with government regulations in your area.

5. If the sockets (lamp holders/tombstones) in your fixture are in poor condition, replace them with the sockets included in Retrofit Kit. Both shunted and non-shunted sockets will work in this application.

- a) Remove any brackets or covers holding sockets in place.
- b) Cut and remove all wires from the sockets.
- c) Reinstall sockets and any socket covers.

Non-shunted Tombstone
Contacts Are Isolated



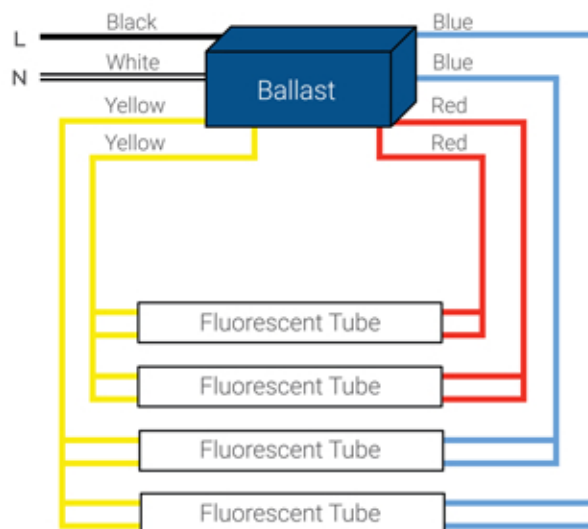
Live Neutral

Shunted Tombstone
Contacts Are Connected

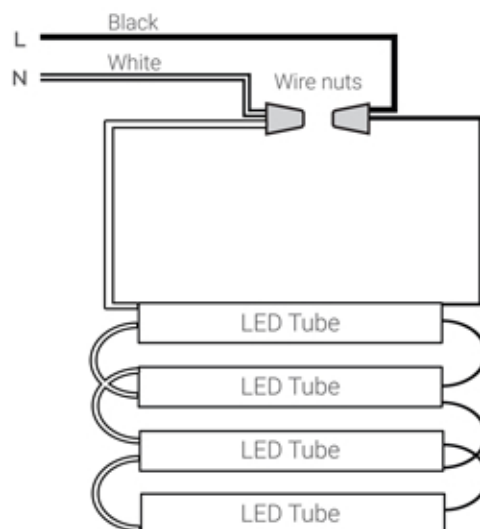


Live/Neutral

BEFORE LED TUBE INSTALLATION



AFTER LED TUBE INSTALLATION



6. Re-connect the Hot (L) wire to one end and Neutral (N) wire to the other end of the tube. All connectors should be made using the wire nuts.

7. Check to ensure wiring is done correctly then close the fixture housing.

8. Affix warning labels to fixture near socket so they are visible to tube light installers.

9. Install LED tubes into the sockets. Turn the tubes until they are locked into place.

10. Re-connect power to the fixture and turn on switch. The LED Tube Light will light.