

RESULT CHAIR

DESIGN BY FRISO KRAMER & WIM RIETVELD



The Result Chair features a thin steel-sheet base with an oak seat and backrest, retaining maximum flexibility, lightness and strength. Originally created by Friso Kramer and Wim Rietveld while working at Ahrend in the 1950s, the cutout steel collection has been relaunched by HAY together with Ahrend. Available in a variety of wood finishes and base colours, with a wide range of textiles and leather options for the seat. Result's strength and versatility makes it suitable for use in many public and private contexts.

PRODUCT DETAILS

- / Part of a family of chairs, desks, dining-, café- and coffee tables and benches (Pyramid).
- / Available in a variety of wood finishes and base colours that can be combined with the Pyramid Table or other tables in the HAY collection.
- / Strong and functional chair, which has been tested for institutional use over many generations.
- / Cutout sheet steel base with an oak seat and backrest.
- / Available with seat upholstery in selected fabrics and leathers.
- / A special tubular rivet provides the backrest with a high level of comfortable flexibility.
- / The 2D-moulded plywood ergonomic seat ensures superior comfort.
- / The chair's design means it can conveniently be placed on the table top.
- / Suitable for a wide variety of private and public environments.
- / Qualified for contract use.

HAY

MATERIAL

SEAT & BACK / Moulded plywood. Top veneer in oak.
Upholstered seat with 10 mm PU foam.

BASE / Steel-sheet base.

COLOUR & FINISH

Please note that the colour codes are indicative.

SEAT & BACK / Available in 8 different seat & back colours.

- / Black water-based lacquered oak veneer (RAL 9005)
- / Beige water-based lacquered oak veneer (NCS S 3502 - Y)
- / Dark blue water-based lacquered oak veneer (RAL 5003)
- / Forest green water-based lacquered oak veneer (NCS S 6530 - G10Y)
- / Dark brick water-based lacquered oak veneer (NCS S 7020-R)
- / Smoked water-based lacquered oak veneer
- / Water-based lacquered oak veneer

BASE FINISH / Available in 2 different base finishes.

- / Black powder coated steel (RAL 9005)
- / Beige powder coated steel (NCS S 3502 - Y)

COMBINATIONS

SHELL & BACK	BASE	
	BLACK	BEIGE
BLACK	•	
BEIGE		•
DARK BLUE	•	
FOREST GREEN	•	
DARK BRICK	•	
WATER-BASED LACQUERED	•	•
SMOKED LACQUERED	•	•

SEAT & BACK COLOUR



BASE FINISH



RESULT CHAIR W. SEAT UPHOLSTERY

Available in a large selection of standard EU-Ecolabelled fabrics.

KVADRAT

- / Atlas
- / Remix
- / Surface by HAY
- / Steelcut
- / Steelcut Trio
- / Melange Nap
- / Divina
- / Divina MD
- / Divina Melange
- / Fiord
- / Re-wool
- / Canvas
- / Hallingdal
- / Lila
- / Raas
- / Vidar

CONSTRUCTION

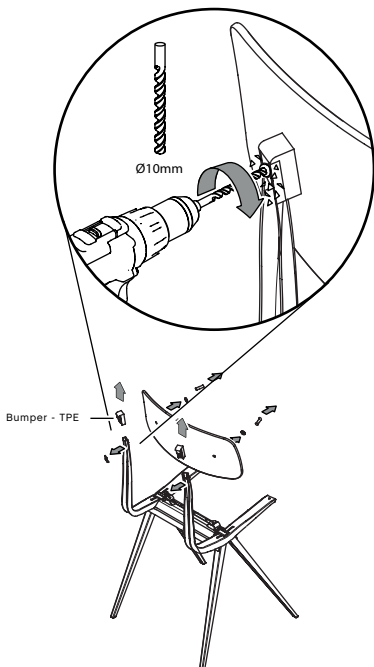
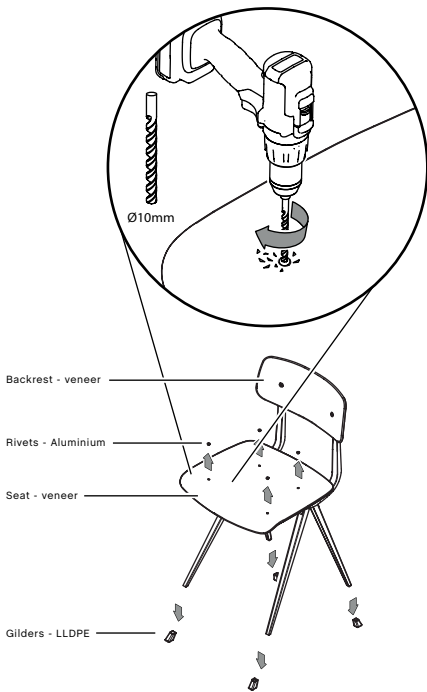
SEAT & BACK / 2D-moulded birch plywood with oak veneer on the top surface. The seat is connected to the frame by 4 aluminum rivets. The backrest is attached to the frame by 2 rivets, 2 flexible connectors and 2 front and 2 back metal washers.

BASE / Fully welded piece composed of cutout- and bent sheet steel.

RECYLING AND DISSASSEMBLY WITHOUT UPHOLSTERY

Result Chair is designed to be a long-lasting furniture made to last for many years. The chair is 100% recyclable and all parts can be fully separated and recycled. All parts can be delivered to a suitable recycling facility.

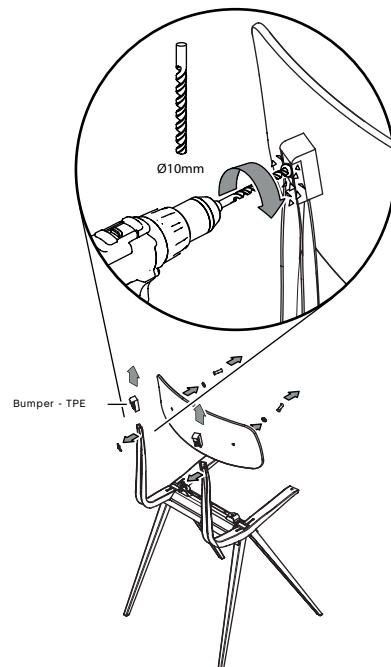
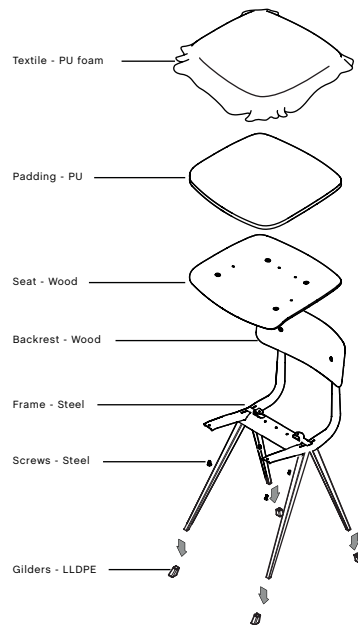
To disassemble the chair, use a power drill with at 10 mm drill bit to drill out the rivets holding the seat and backrest. Then remove the bumpers from the backrest posts and the gliders from the legs.



RECYLING AND DISSASSEMBLY WITH UPHOLSTERY

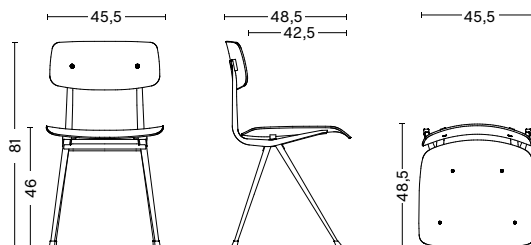
Result Chair is designed to be a long-lasting furniture made to last for many years. The chair is 100% recyclable and all parts can be fully separated and recycled. All parts can be delivered to a suitable recycling facility.

To disassemble the chair, unscrew the four screw underneath the seat. Remove the textile and the foam from the wooden base. Use a power drill with a 10 mm drill bit to drill out the rivets holding the backrest. Then remove the bumpers from the backrest posts and the gliders from the legs.



DIMENSIONS

WIDTH / 45,5 cm / 17.91"
DEPTH / 48,5 cm / 19.09"
HEIGHT / 81 cm / 31.89"
SEAT HEIGHT / 46 cm / 18.11"
SEAT DEPTH / 42,5 cm / 16.73"



GLIDERS

PLASTIC GLIDER / Standard on all variants. Suitable for most floorings that are not too sensitive.

FELT GLIDER / For wooden floors. Not for sensitive wooden floors like pine or painted floors.

TESTS

EN 16139:2013 / Furniture - Strength, durability and safety - Requirements for non-domestic seating.

L2: Extreme use - Loading according to Test severity L2.

CERTIFICATES



The EU-Ecolabel is the official European ecolabel.



Made from FSC™-certified and other controlled materials.

WARRANTY

HAY provides a 5-year product warranty, which covers materials and workmanship on our furniture frame and upholstery. The warranty covers faults which were present at the time of purchase or which have occurred as a result of defects present at the time of purchase. The warranty period of 5 years is calculated from the date on the original invoice.

Spare parts are available throughout the 5 year warranty period.

CARE & MAINTENANCE

A general care guide with all materials is available at hay.com.

[Link to care and maintenance guideline.](#)

DOWNLOADS

Packshots and lifestyle photos, 2D / 3D files, care and maintenance, instructions, test certificates, product fact sheets, and product presentations are available in our Image Bank at hay.com.

[Link to downloads.](#)

HAY