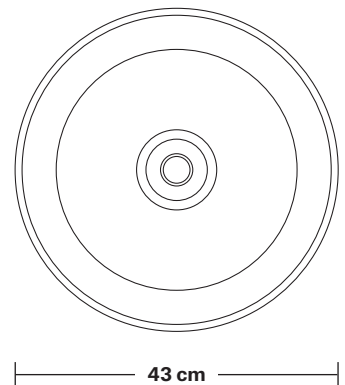
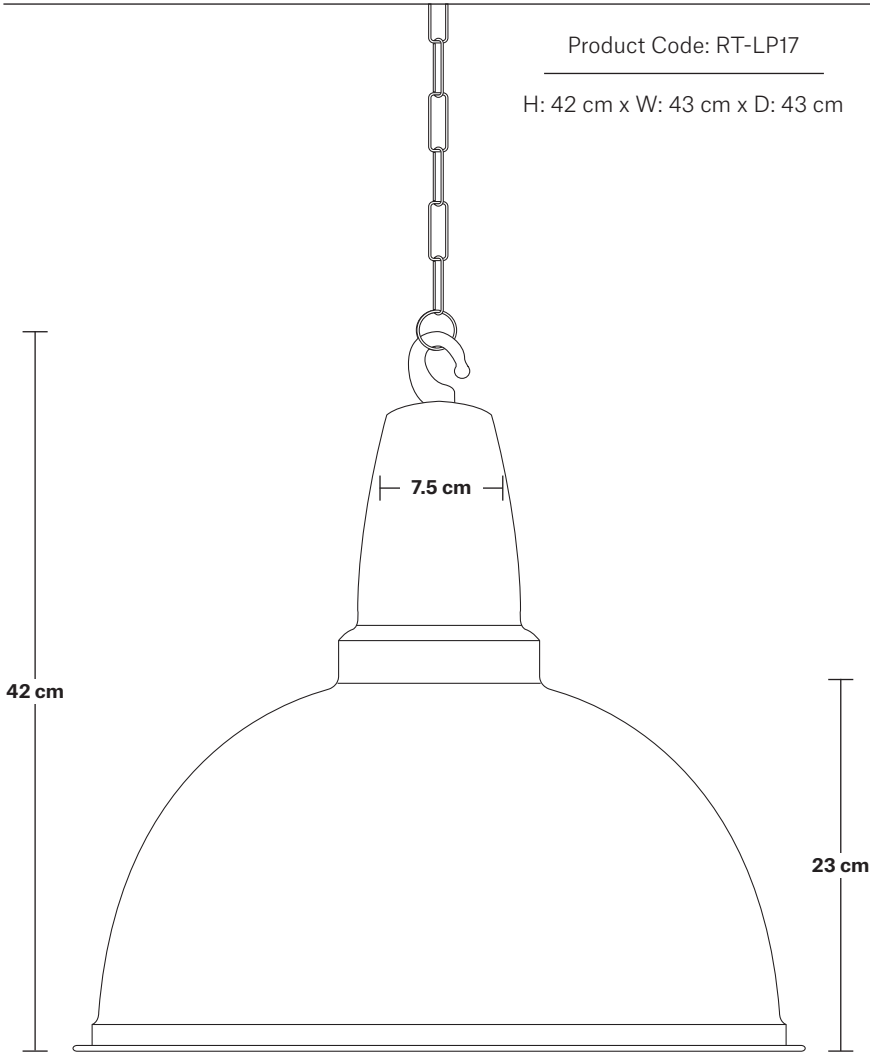


Retro Large Pendant - 17 Inch

Product Code: RT-LP17

H: 42 cm x W: 43 cm x D: 43 cm



SPECIFICATIONS

We meet all UK and EU lighting and safety regulations.

Our products are hand finished to ensure an authentic vintage look and therefore they may vary slightly from those shown in the images.

Bulb required: Standard screw (E27) fitting, max 40W.

Shade weight: 1.7 kg | **Holder weight:** 0.6 kg

Maximum weight: 2.3 kg

INFORMATION

Finishes: Brass, Pewter and Black.

Ready to be installed, installation required.

Wall mount screws not included.

Holders available: Chrome and Pewter.

Flex: 1m Black Round Plastic Flex and 1m Chain.

Ceiling rose: Chrome and Pewter.

DIMENSIONS

Shade Diameter: 43 cm / 17"

Shade Height (no holder): 42 cm / 16.5"

Holder Diameter: 5 cm / 2"

Holder Height: 6 cm / 2.4"

Ceiling Rose Diameter: 13 cm / 5.1"

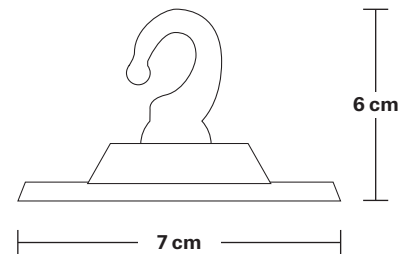
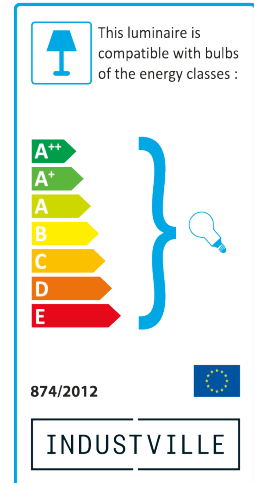
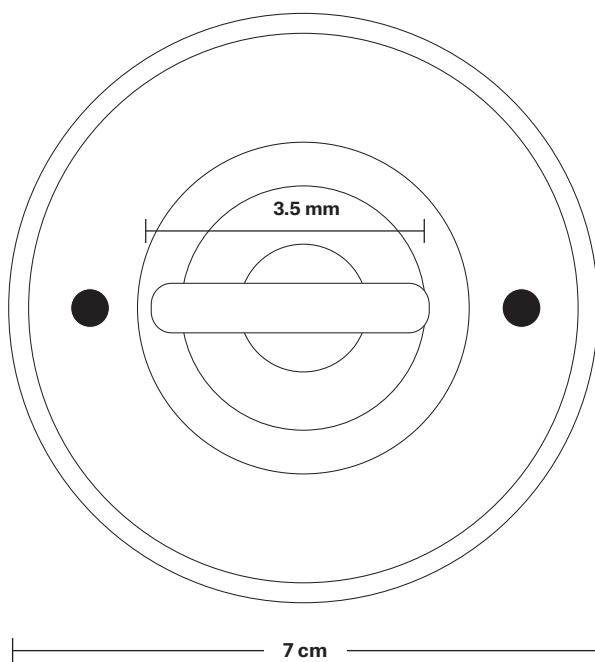
Ceiling Rose Height: 7 cm / 2.8"

INDUSTVILLE

Edison Hook Ceiling Rose - 1 Outlet

Product Code: ED-HKCR10

H: 6 cm x W: 7 cm x D: 7 cm



SPECIFICATIONS

We meet all UK and EU lighting and safety regulations.

Our products are hand finished to ensure an authentic vintage look and therefore they may vary slightly from those shown in the images.

Bulb required: Standard screw (E27) fitting, max 40W.

Weight: 0.1 kg

INFORMATION

Finishes: Brass, Light Pewter and Copper.

Ready to be installed, installation required.

Wall mount screws not included.

DIMENSIONS

Ceiling rose diameter: 7 cm / 2.9"

Ceiling rose height: 6 cm / 2.4"

INDUSTVILLE

Retro Large - 17 Inch - Pewter

Shade Only

Retro Large Pendant - 17 Inch - Pewter

RT-LP17-P

Retro Large Pendant - 17 Inch - Pewter

Retro Large Pendant - 17 Inch - Pewter - Pewter Hook Chain Holder

RT-LP17-P-PHKCN
