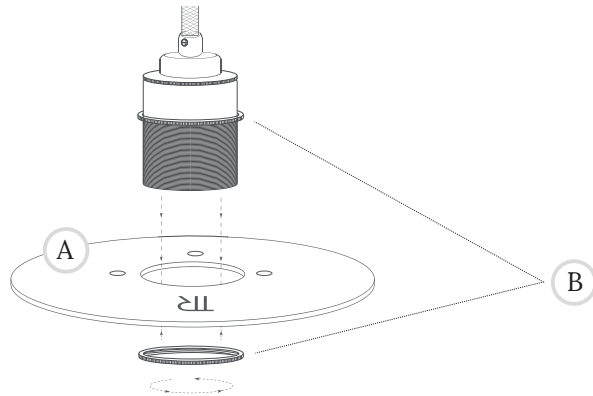


Noctis Urchin Small Cluster Installation Instructions



Only qualified persons should assemble the luminaire. If in doubt, consult a suitably qualified person. Installation MUST be carried out in accordance and compliance with current building regulations.

Ensure the electrical supply is turned OFF at the fuse board.

1. Using an adjustable spanner and pozidriv screwdriver, loosen and adjust the position of the mounting bolts on the ceiling plate bracket to correspond with the pre-drilled holes on the ceiling plate. Tighten the nuts to secure the bolts in the correct position.
2. Identify if there are any hidden pipes or electrical cables in the wall to avoid causing damage or risk of electrical shock during installation. Determine the fixing method appropriate to the ceiling structure and secure the plate bracket to the ceiling using the screws provided, ensuring it is secured to a suitably strong joist or beam.
3. Before attaching the ceiling plate to the bracket, each pendant should be adjusted to the desired drop height. Using a small flat head screwdriver, loosen the grub screw in the cord grip at the top of each pendant drop. Excess wire can either be cut (and rewired) or carefully coiled into the recess of the ceiling plate. Tighten the grub screws to securely hold each of the pendants at the chosen height. Support the ceiling plate so that no strain is applied to the wiring when making the electrical connections. If necessary get a colleague to help. The luminaire is designed to be attached to an electrical supply of **220-240V AC 50-60Hz**.
4. Once the pendant drops are adjusted to the desired height and the electrical connection is made, hand tighten the decorative nuts onto the ceiling plate bracket bolts to securely hold the fitting in place.
5. To fit the lamp shades to the lamp holders, sandwich the brass top plate (A) of the lampshade between the two shade rings on the lamp holder (B). Repeat this stage for the following two lampshades. Avoid touching the brass plates on the lampshades as fingerprints will start to show. Screw in the light bulbs of your choosing. The luminaire has been designed to work with E27 LED light bulbs, up to a maximum of **25 Watts** each.
6. Turn the power supply on to complete installation.

*** If the external flexible cable or cord of this luminaire is damaged, it shall be exclusively replaced by the manufacturer or his service agent or a similar qualified person in order to avoid a hazard. ***

For more information on the installation of your product: contact@tomraffield.com +44 (0)1326 722725