

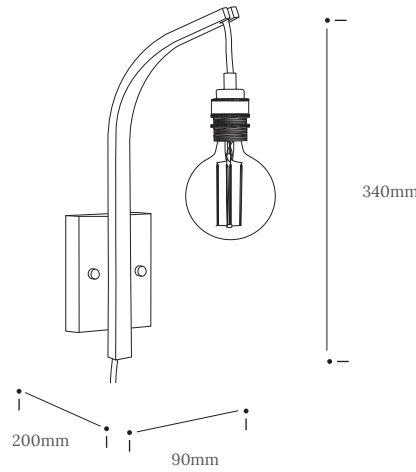
NOCTIS WHEAL WALL LIGHT

Product Specification

Tom Raffield

Noctis Wheal Wall Light

Ebonised Oak - £225



Bold, ebonised design and our sought-after wooden aesthetic, merged. With confidence in its definitive silhouettes, The Noctis Range showcases a new focus and brings daring, darker depths to interiors.

An arching curve of steam bent, ebonised oak towers up from a sleek brass base plate. An alluring contrast of deep black and lustrous, polished metal. Modern. Refined. Enticing. Our Noctis Wheal Wall Light puts the lustre back in illumination and brings sophistication into any space.

Invite darkness into the light.

Product Type : Wall Light	SKU	Wood types	Dimensions L x W x H (mm)		Weight (kg)	
			Unboxed	Boxed	Unboxed	Boxed
Noctis Wheal Wall Light : Hardwired	TR-NCT-WHL-WL-O	Ebonised Oak	90 x 200 x 340	540 x 312 x 165	0.65	1.6
Noctis Wheal Wall Light : Plug and switch	TR-NCT-WHL-WL-PLG	Ebonised Oak				
Materials	Ebonised Oak		Other materials			
			Brass plate			
Finish	Finished with a blend of natural wax oils to give a protective, hardwearing and beautiful finish.					
Wiring kit option : 1 Hardwired	Brass bulb holder with electrical connection block		Wiring kit option 1	Flex		Reccomended light bulb
			connection block included	Flex colour: grey fabric		Max 25W LED
Wiring kit option : 2 Plug and switch	Brass bulb holder with black inline switch and plug		Wiring kit option 2	Flex		Reccomended light bulb
			Plastic inline switch	Flex colour: grey fabric		Max 25W LED
			E27 (240v)	Cable length: 228cm from plug to bulb holder		
Care information	We recommend cleaning our Noctis Lighting using a clean, damp cloth or feather duster. Please note solvent-based cleaning fluids may react with the ebonised finish. To avoid colour transfer, avoid placing your lights on any light-coloured surfaces.					
Additional information	<ul style="list-style-type: none"> Suitable for use on 240v circuits. Installation instructions and fixings included. This product can be plugged straight into a 240v outlet. If hardwiring into the main supply, this product must be installed by a qualified electrician. 					