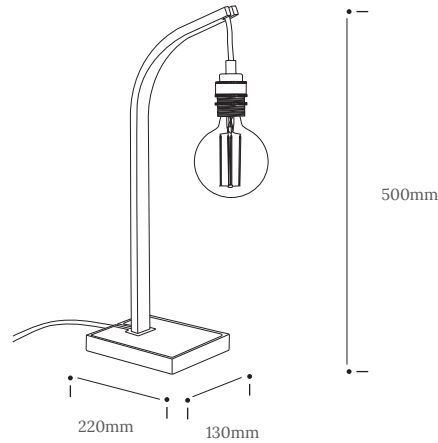


NOCTIS WHEAL TABLE LIGHT

Product Specification

Tom Raffield



Noctis Wheal Table Light



Bold, ebonised design and our sought-after wooden aesthetic, merged. With confidence in its definitive silhouettes, The Noctis Range showcases a new focus and brings daring, darker depths to interiors.

An arching curve of steam bent, ebonised oak towers up from a sleek brass base plate. An alluring contrast of deep black and lustrous, polished metal. Modern. Refined. Enticing. Our Noctis Wheal Table Light puts the lustre back in illumination and brings sophistication into any space.

Invite darkness into the light.

Product Type : Table Light	SKU	Wood types	Dimensions L x W x H (mm)		Weight (kg)	
			Unboxed	Boxed	Unboxed	Boxed
Noctis Wheal Table Light	TR-NCT-WHL-TBL-O	Oak	220 x 130 x 500	540 x 312 x 165	0.75	1.75
Materials	Ebonised Oak				Other materials	
					Brass plate	
Finish	Finished with a blend of natural wax oils to give a protective, hardwearing and beautiful finish.					
Wiring kit options	Brass bulb holder with black inline switch and plug		Wiring kit Plastic inline switch E27 (240v)	Flex Flex colour: grey fabric Cable length: 228cm from plug to bulb holder		Reccomended light bulb Max 25W LED
Care information	We recommend cleaning our Noctis Lighting using a clean, damp cloth or feather duster. Please note solvent-based cleaning fluids may react with the ebonised finish. To avoid colour transfer, avoid placing your lights on any light-coloured surfaces.					
Additional information	<ul style="list-style-type: none"> Suitable for use on 240v circuits. This product can be plugged straight into a 240v outlet. 					