

SAFETY WARNINGS IMPORTANT SAFETY INFORMATION



Before you begin.

Read these instructions completely & carefully.



WARNING

Risk of electrical shock. Disconnect power before servicing or installing
Avertissement - Risque de choc électrique. Coupez l'alimentation avant l'entretien ou l'installation



WARNING

Risk of injury. Wear safety glasses and gloves during installation and servicing.
Avertissement - Risque de blessure. Porter des lunettes de sécurité et des gants lors de l'installation et l'entretien.



FIXTURE PARTS LIST

Description	Quantity
1) Fixture Housing	1
2) End Plate	2
3) Socket	4
4) Wireway Cover	1
5) Diffuser	1
6) WireNuts*	2

*Contained in Part Packs

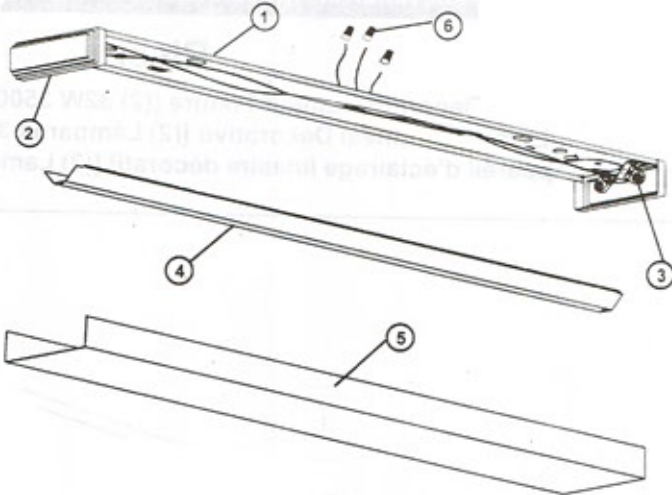


Figure 1



Figure 2

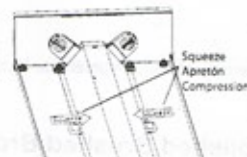


Figure 3



Figure 4

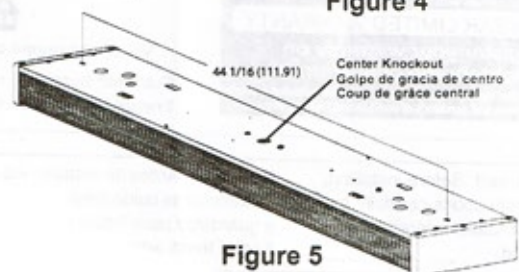


Figure 5

1 Remove fixture components and parts pack(s)
Check that all parts are included See Figure 1

Warning: Safely dispose of packaging materials.

Note: Turn off power on circuit breaker box!

2. While gently pushing down on center of Diffuser.
(5)
slide Diffuser toward one end of the fixture, making
sure end of Diffuser is under Diffuser spacer.
See Figure 2

3. Lift Diffuser out of fixture from opposite end.
See Figure 2.

4. Remove Screw from each end of Wireway Cover
(4)
squeeze to release from the fixture housing.
See Figure 3

WARNING: Before wiring fixture to the power supply,
turn off electricity at fuse or circuit breaker box,
Fixture must be grounded to avoid potential
electrical shock and to ensure reliable lamp starting

Note: This fixture is designed to be surface mounted
on drywall or inverted T-grid ceiling system.
Mounting hardware requirements will depend on
mounting method.
See Figure 4

5. Remove center 7/8" knockout by placing straight
blade screwdriver on edge of knockout and strike
with hammer. (Always wear safety glasses when
hammering) Remove slug by flexing back and forth
with pliers Position fixture with 7/8 diameter over
junction box landmark location of mounting slots.
See Figure 5

6. Drill 1/8" diameter pilot holes where previously
marked.

If drill encounters ceiling joist, hold the fixture up to
the outlet box and pull electrical supply wires into
fixture through the knockout hole, use wood screw at
each end of the fixture body to secure to ceiling joist.

If drill does not encounter ceiling joist, enlarge hold
in ceiling to accommodate toggle bolt Hold fixture up
to outlet box and pull electrical supply wires into the
fixture through the knockout hole, insert and tighten
toggle bolts.

7. Ground fixture as follows. Connect the green or
bare copper ground wire from the outlet box to
ground wire using Wire Nuts (6).

8. Connect black fixture wire to black power supply
wire with wirenut. Connect white fixture wire(s) to
white power supply wire with wirenut

**FOR PROPER CONNECTION, PLACE WIRENUT
OVER WIRES, TWIST CLOCKWISE UNTIL TIGHT.**
Note: Make sure no wires are exposed.

9. Replace Wireway Cover (4) under tabs in fixture
housing Make sure no wiring is pinched between
Wireway Cover (4) and Fixture Housing (1) then
reinstall Screws at each end.

10. Guide the pins on one end of the lamp into one
lampholder. Guide other end of lamp into
opposite lampholder. Rotate lamp 1/4 turn in
either direction until seated

11. Turn on electricity at fuse or circuit breaker box
and verify success of installation.

12. Install Diffuser by inserting one end to end
plate over diffuser spacer, lift opposite end into
fixture and shift into position.

Trouble Shooting Guide

If this fixture fails to operate properly, use the guide
below to diagnose and correct the problem.

- Verify that correct lamp is used.
- Make sure lamp is properly seated in socket.
- Replace defective lamp(s).
- Verify that fixture is wired properly.
- Verify that fixture is grounded correctly.
- The line voltage at the fixture is correct.

If further assistance is required, contact:
Consumer Support at: 1-866-9-ORILIS

Cleaning Diffuser: For best results, diffusers should
be washed with soap or mild detergent. Rinse with
clear water and allow to air dry.

For availability of replacement parts contact
Customer Support or visit: www.orilis.com

