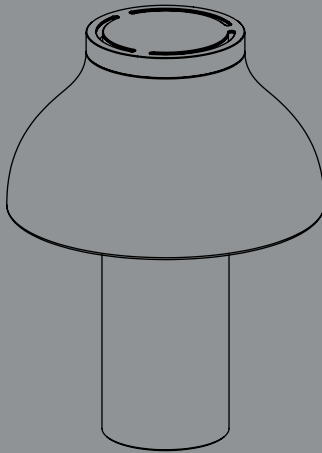


- INSTRUCTION MANUAL -

# PC TABLE LAMP



DESIGN BY PIERRE CHARPIN

**HAY**



- GENERAL INFORMATION -

TECHNICAL DATA

This product is fitted with an E27 bulb fitting. HAY recommends using this product with frosted LED bulbs.

FITTING TYPE | E27

POWER (W) | 10-13W

COLOUR TEMPERATURE | Warm white

HAY will not accept any responsibility for any accidents, injuries or damages that occur due to the use of incorrect bulbs.

ATTENTION

Ensure that the power supply to the circuit has clearly been turned OFF before installing the product. In some countries, electrical installation must be carried out by authorised electricians/contractors; please check with your local authority for guidance.

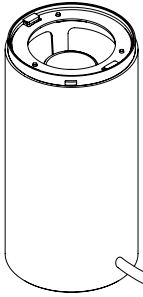
The product must not be modified in any way. HAY accepts no responsibility for any products that have been modified or tampered with. If the external flexible cable or cord of this luminaire is damaged, it should be exclusively replaced by a qualified electrician in order to avoid an electrical hazard. These lamps are designed for indoor use only.

CARE AND MAINTENANCE

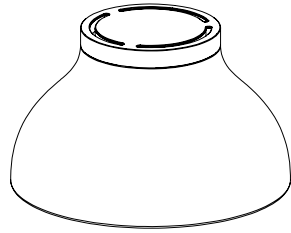
The product can be cleaned with a soft damp cloth and mild detergent, or a dry microfibre cloth. Do not use alcohol or any other solvents to clean the product and avoid using abrasive or rough sponges. Ensure that the power supply has been turned OFF before cleaning the product.



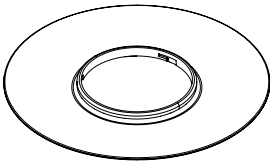
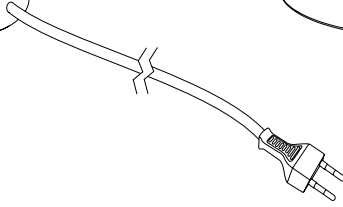
- PARTS -



Base



Shade



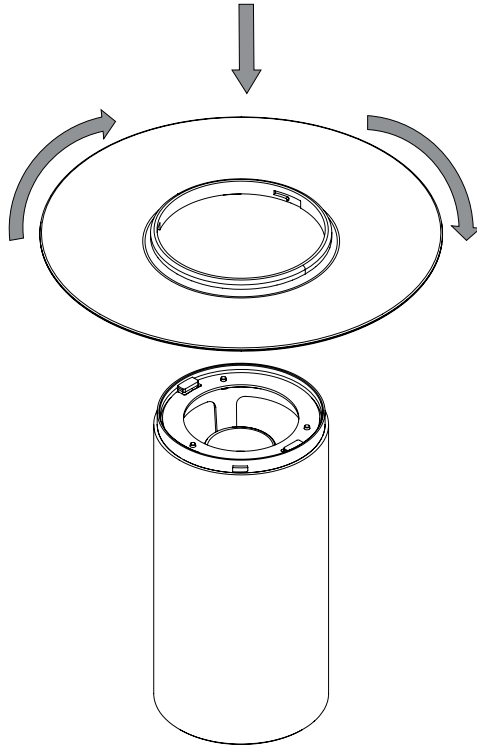
Diffuser



UK converter

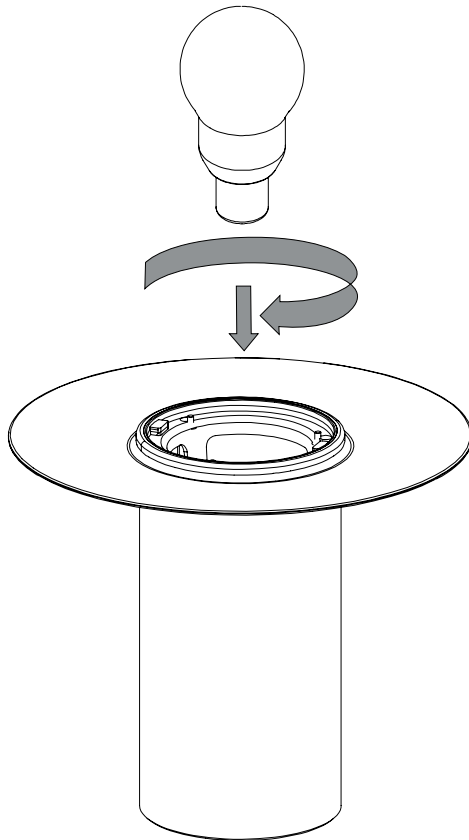
1.

Unpack all the parts and check that you have received all the parts listed. Hold the flat diffuser with both hands and twist into place, ensuring it is securely fitted to the lamp body.



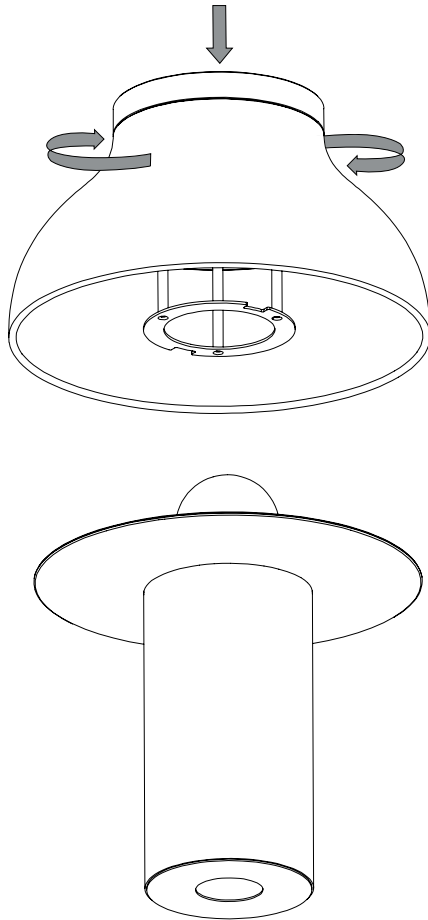
2.

Ensure that the power is off and the lamp is not plugged in.  
Screw an E27 bulb into the bulb fitting. It is advised that a dimmable LED bulb,  
no more than 13W is used in this lamp.



3.

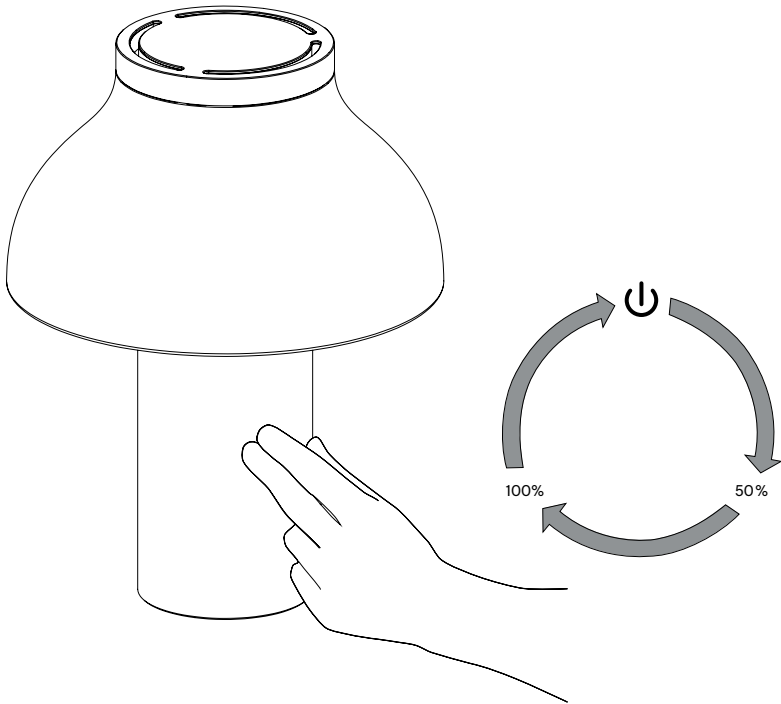
Once the bulb is in place, place the lampshade onto the lamp base, aligning the grooves in the metal ring in the shade with the bayonet fitting on the lamp base. Turn clockwise and tighten securely.



4.

Place the lamp onto a flat, stable surface.

The lamp has a two-step dimmable feature, which can be controlled by touching the lamp base. First touch sets it to low brightness and second touch sets it to maximum brightness. Third touch will turn the lamp off again.



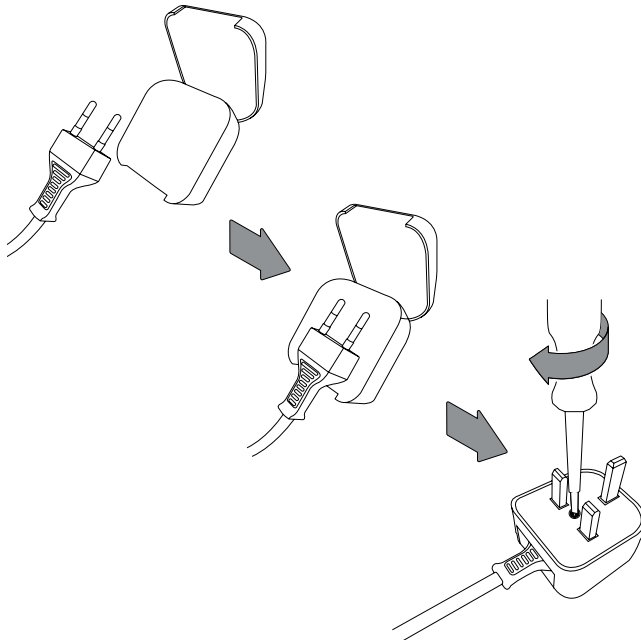


- UK CUSTOMERS ONLY -

Please note that for UK customers, the lamp will come supplied with a pre-mounted UK converter. The UK converter will be mounted over the existing EU plug, so the lamp is compatible and ready for use with UK sockets.

If not pre-mounted, please follow the below instruction.

Insert the EU plug into the converter provided. Close the converter over the EU plug with the pins secured in the internal spring clip contacts. Screw the converter together to ensure the UK plug is secure.



- CARE & MAINTENANCE -

Our Care & Maintenance offers guidance for optimal maintenance of your HAY product. It includes advice and instructions on cleaning and caring for specific materials to prolong the life of your lighting.



Please find our Care & Maintenance guide by scanning the QR code



You can find more relevant information on PC Table Lamp by scanning the QR code

You can also find the same information here  
[hay.dk/downloads](http://hay.dk/downloads)



Havnen 1 8700 Horsens Denmark  
+45 3164 6000 / hay@hay.com

[www.hay.com](http://www.hay.com)

12/01/2023

**HAY**