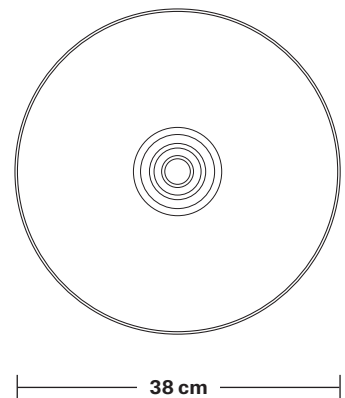
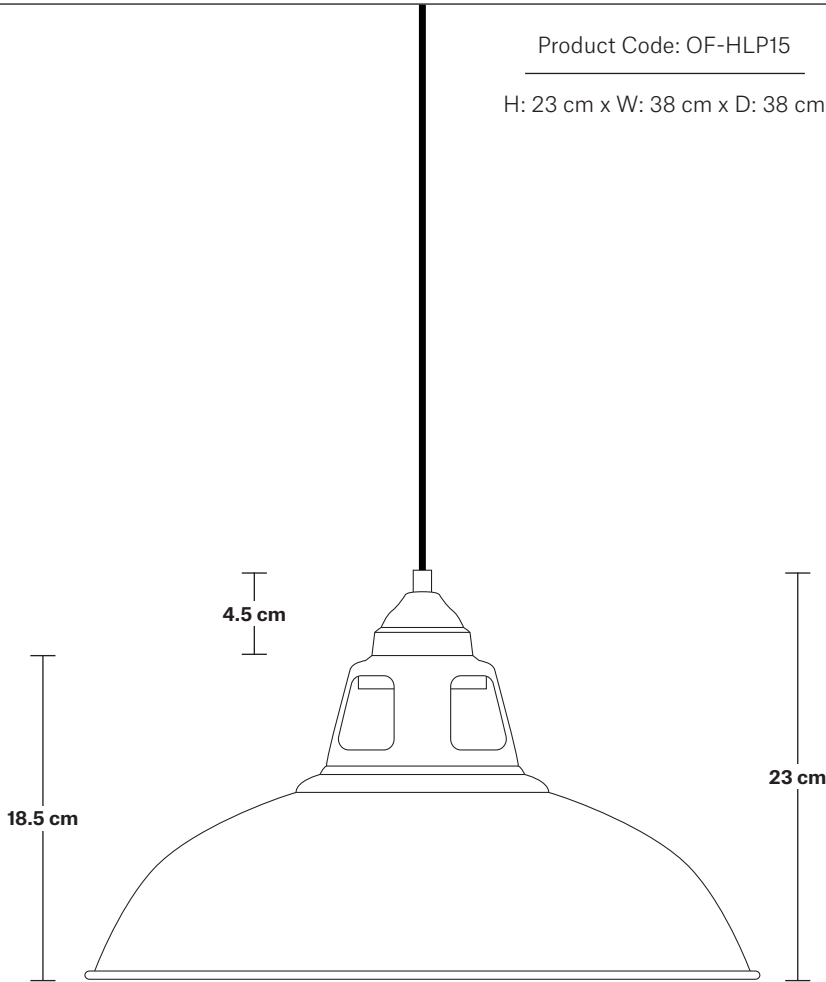


Old Factory Slotted Heat Lamp Pendant - 15 Inch

Product Code: OF-HLP15

H: 23 cm x W: 38 cm x D: 38 cm



SPECIFICATIONS

We meet all UK and EU lighting and safety regulations.

Our products are hand finished to ensure an authentic vintage look and therefore they may vary slightly from those shown in the images.

Bulb required: Standard screw (E27) fitting, max 250W.

Shade weight: 1 kg | **Holder weight:** 0.5 kg

Heat Bulb: 0.5 kg | **Max weight:** 2 kg

INFORMATION

Finishes: Pewter, Copper, Copper & Pewter.

Ready to be installed, installation required.

Wall mount screws not included.

Holders available: Aluminium.

Flex: 1m Black Round Plastic Flex.

Ceiling rose: Aluminium.

DIMENSIONS

Shade Diameter: 38 cm / 15"

Shade Height (no holder): 18.5 cm / 7.3"

Holder Diameter: 8 cm / 3.2"

Holder Height: 8 cm / 3.2"

Ceiling Rose Diameter: 12 cm / 4.8"

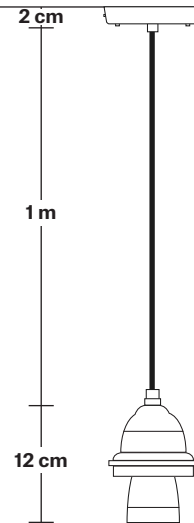
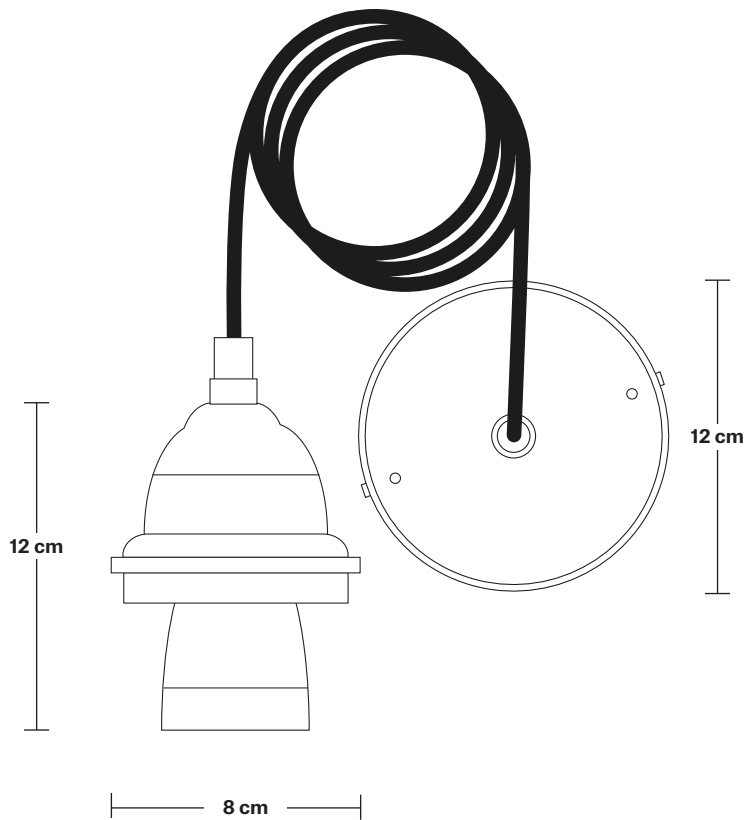
Ceiling Rose Height: 2 cm / 0.8"

INDUSTVILLE

Old Factory Heat Cord Set ES E27 Bulb Holder

Product Code: OF-HCS-BK-LP

H: 114 cm x W: 12 cm x D: 12 cm



SPECIFICATIONS

We meet all UK and EU lighting and safety regulations.

Our products are hand finished to ensure an authentic vintage look and therefore they may vary slightly from those shown in the images.

Bulb required: Standard screw (E27) fitting, max 250W.

Weight: 0.5 kg

INFORMATION

Finishes: Aluminium.

Ready to be installed, installation required.

Wall mount screws not included.

Ceiling rose: Aluminium.

Flex: 1m Black Round Plastic Flex.

DIMENSIONS

Bulb Holder Diameter: 8 cm / 3.1"

Bulb Holder Height: 12 cm / 4.7"

Ceiling Rose Diameter: 12 cm / 4.7"

Ceiling Rose Height: 2 cm / 0.8"

Full Drop: 114 cm / 44.8"

Old Factory Slotted - 15 Inch - Pewter

Shade Only

Slotted - 15 Inch - Pewter - Shade Only

SL15-P-SO

Old Factory Slotted Pendant - 15 Inch - Pewter

Old Factory Slotted Pendant - 15 Inch - Pewter - Light Pewter Holder

OF-SLP15-P-LPH

Old Factory Slotted Heat Pendant - 15 Inch - Pewter - Light Pewter Holder

OF-HLP15-P-LPH
