

## PL35MWH

### White Metal 10" Couch Roll Dispenser



#### Product Features:

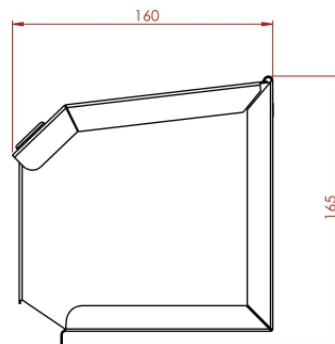
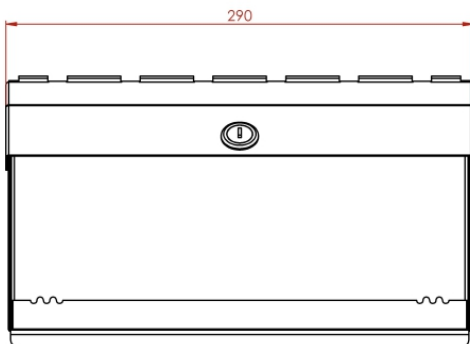
- Dispenses Couch Rolls (10")
- White powder coat epoxy finish
- Key Lockable

Manufactured in the UK

A versatile and easy to use dispenser for couch rolls. The unit is constructed in mild steel with a white powder coat epoxy finish. The dispenser is durable with a fully lockable slim line chrome lock.

Made in a white powder coat epoxy finish.

#### Product Dimensions:



Height: 165mm Width: 290mm Depth: 160mm Weight: 1Kg Capacity: x1 10" Couch Roll