

 **Powered Wheelchair**

 **Fauteuil roulant électrique**

 **Elektrische rolstoel**



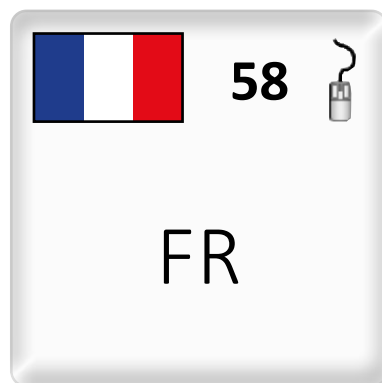
Quickie Q500 M/F/R/H

**Instructions for Use
Manuel d'utilisation
Gebruikershandleiding**

We at SUNRISE MEDICAL have been awarded the ISO-13485 certificate, which affirms the quality of our products at every stage, from R&D to Production. This product complies with the standards set forth in EU and UK regulations. Options or accessories shown are available at extra cost.

Nous, la société SUNRISE, sommes certifiés ISO-13485, ce qui garantit la qualité de nos produits à tous les stades, du développement jusqu'à la production. Ce produit est conforme aux exigences des règlements de l'Union européenne et du Royaume-Uni. Les options ou accessoires illustrés sont disponibles en option.

SUNRISE MEDICAL heeft het ISO-13485 certificaat toegekend gekregen, een bewijs van de kwaliteit van onze processen in elk stadium, vanaf het onderzoek en de ontwikkeling tot de productie. Dit product voldoet aan de standaarden zoals bepaald in wettelijke voorschriften van de EU en het VK. Getoonde opties en accessoires zijn tegen betaling verkrijgbaar.



If you have any queries about the use, maintenance or safety of your wheelchair, please contact your local approved Sunrise Medical service agent. If you do not know of an approved dealer in your area or have any other questions please write or telephone:

Sunrise Medical
Thorns Road
Brierley Hill
West Midlands
DY5 2LD
England
Phone: 0845 605 66 88
Fax: 0845 605 66 89
www.SunriseMedical.co.uk

Dealer signature and stamp

Contents	
1.0 User information	4
1.1 This user manual	4
1.2 For further information	4
1.3 Symbols used in this manual	5
2.0 Safety	6
2.1 Symbols and labels used on the product	6
2.2 Safety: Temperature	6
2.3 Safety: Moving parts,	7
2.4 Safety: Electromagnetic radiation	7
2.5 Safety: Choking hazard	8
2.6 Safety: Using a (vehicle mounted) wheelchair lift	8
2.7 Safety: Trays	8
2.8 Safety: Lifting the wheelchair	8
3.0 Intended use of the wheelchair	8
3.1 Area of application: The user	8
3.2 Area of application: The user environment	10
4.0 Setting up the wheelchair	11
4.1 Seating system	11
4.2 Seat height	11
4.3 Centre of gravity	11
4.4 Controller height and depth	11
4.5 Control system programme	11
4.6 Trailer Wheel Set-up	11
4.7 Lap strap / seating positioning belt	12
4.8 Adjusting the Shock Absorber	13
5.0 Using the wheelchair	15
5.1 Checking wheelchair before use	15
5.2 Making a transfer	16
5.3 Driving the wheelchair	16
5.4 Curves	17
5.5 Braking & Emergency stop	17
5.6 Driving on a slope	18
5.7 Obstacles & kerbs:	19
5.8 Pushing the wheelchair	20
5.9 (Powered) seating options	21
6.0 Batteries, charging and range	22
6.1 Batteries	22
6.2 Charging batteries:	23
6.3 The range of your vehicle:	24
6.4 Battery warranty:	25
6.5 Replacing batteries	25
6.6 Disconnecting batteries for air transport	25
7.0 Transportation	28
7.1 Transport of the wheelchair in a car	28
7.2 Using the Dahl Docking Systems (Mark II & Variodock)	30
7.3 The wheelchair as a passenger seat	37
7.4 Special transport requirements	38
7.5 General transport warnings	39
8.0 Maintenance & cleaning	40
8.1 Maintenance	40
8.2 Tyre maintenance and pressures	41
8.3 Wheels & tyres maintenance	44
8.4 Lighting maintenance:	45
8.5 Cleaning and disinfection	45
8.6 Medium to long term storage:	45
9.0 Disposal	46
10.0 Trouble shooting	47
11.0 Technical specifications: Applicable norms / standards	47
12.0 Warranty	56
13.0 Nameplate	57

1.0 User information

Thank you for choosing a Sunrise Medical wheelchair. Sunrise Medical's high-quality mobility products are designed to enhance independence and make your everyday life easier.

As a part of our ongoing product improvement initiative, Sunrise Medical reserves the right to change specifications and design without notice.

However, any changes to information provided for existing users shall be clearly communicated if they are safety critical.

Further, not all features and options offered are compatible with all configurations of the wheelchair.

All dimensions are approximate and may be subject to change.




The intended lifetime of this product is 5 years. Please DO NOT use or fit any 3rd party components to the wheelchair unless they are officially approved by Sunrise Medical.

1.1 This user manual

This user manual will help you to use and maintain your wheelchair safely. This entire user manual for this wheelchair consists of three booklets:

- The general wheelchair user manual (this booklet)
- The user manual for the seating system
- The user manual for the controller

When necessary this general user manual refers to other manuals as shown in the table below:

 Seating system:	Refers to the user manual for the seating system.
 Controller:	Refers to the user manual for the controller.
 Battery charger:	Refers to the user manual for the battery charger.

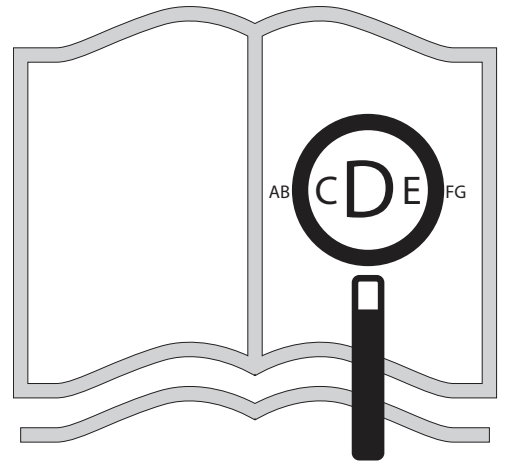
Do not use your wheelchair until this entire manual and all relevant booklets have been read and understood!

If one of the user manuals was not included with your wheelchair, please contact your dealer immediately.

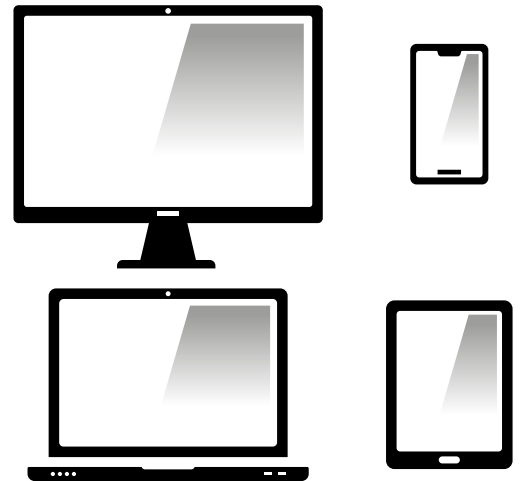
1.2 For further information

Please contact your local, authorized Sunrise Medical dealer if you have any questions regarding the use, maintenance or safety of your wheelchair. In case there is no authorized dealer in your area or you have any questions, contact Sunrise Medical either in writing or by telephone.

For information about product safety notices and product recalls, go to www.SunriseMedical.co.uk






If you are visually impaired, this document can be viewed in PDF format at www.SunriseMedical.co.uk




or alternatively is available on request in large text.



1.3 Symbols used in this manual

 DANGER!	Potential risk of injury or serious injury or death
 WARNING!	Potential risk of injury
 CAUTION!	Potential damage to equipment

 As the manufacturer, SUNRISE MEDICAL, declares that this product conforms to the Medical Device Regulation (2017/745).

 As the manufacturer, SUNRISE MEDICAL, declares that the product conforms to the UK Medical Devices Regulation 2002 No. 618.

NOTE:

General user advice.

Not following these instructions may result in physical injury, damage to the product or damage to the environment!

Notice to the user and/or patient: Any serious incident that has occurred in relation to the device should be reported to the manufacturer and the competent authority of the Member State in which the user and/or patient is established.

B4Me special adaptations

Sunrise Medical strongly recommends that in order to ensure that your B4Me product operates, and performs as intended by the manufacturer; all the user information supplied with your B4Me product is read and understood, before the product is first used.

Sunrise Medical also recommends that the user information is not discarded after reading it, but it is kept safely stored for future reference.

Medical Device Combinations

It may be possible to combine this Medical device with one or more other Medical Device or other product. Information on which combinations are possible can be found at www.Sunrisemedical.co.uk. All combinations listed have been validated to meet the General Safety and Performance Requirements, Annex I Nr. 14.1 of the Medical Device Regulation 2017/745.

Guidance on the combination, such as mounting, can be found at www.SunriseMedical.co.uk.

2.0 Safety

Follow the instructions carefully next to these warning symbols! Not paying careful attention to these instructions could result in physical injury or damage to the wheelchair or the environment. Wherever possible, safety information is provided in the relevant chapter.

2.1 Symbols and labels used on the product

The signs, symbols and instructions affixed to the wheelchair comprise part of the safety facilities. They must never be covered or removed. They must remain present and clearly legible throughout the entire lifespan of the wheelchair.

Replace or repair all illegible or damaged signs, symbols and instructions immediately. Please contact your dealer for assistance.

Fig. 2.1. WARNING - Do Not Touch - HOT

Fig. 2.2. Taxi fixation point

Fig. 2.3. WARNING – Danger of finger entrapment

Fig. 2.4. WARNING – Ensure that the seat interface quick release is screwed in tight before using your wheelchair, especially on a slope

Fig. 2.5. WARNING – We strongly recommend that you return the seat and back to their home positions before attempting to climb or descend a slope. Failure to do this may cause the wheelchair to become unstable.

Fig. 2.6. WARNING – Maximum user weight for the wheelchair with Sedeo Pro: 160 kg. With Sedeo Lite: 136 kg

Fig. 2.7. Freewheel mechanism: outward lever down = freewheel

Fig. 2.8. WARNING - Do not operate in C-Me mode on slopes.

Fig. 2.9. UK Responsible Person label (example only).

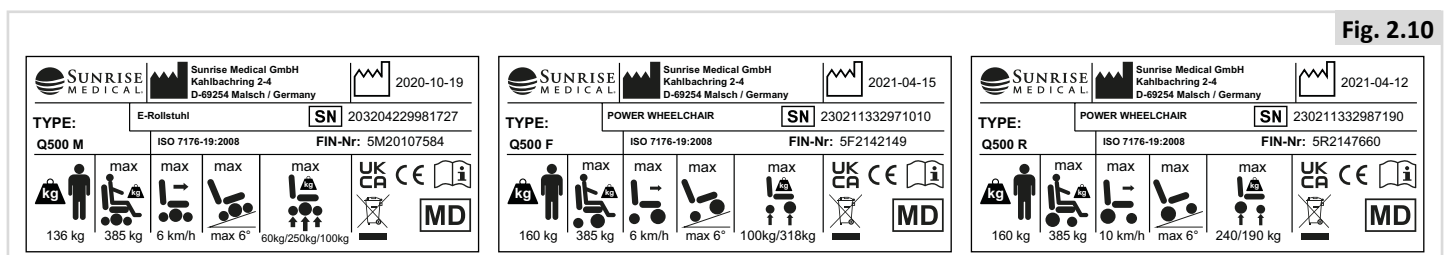
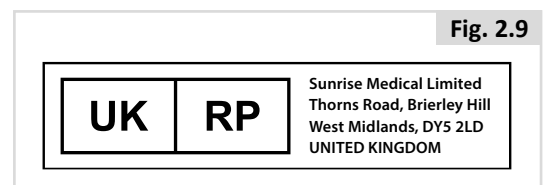
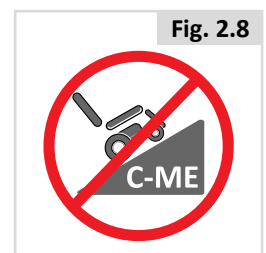
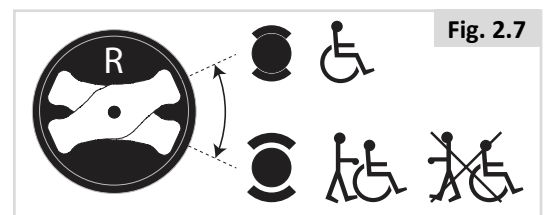
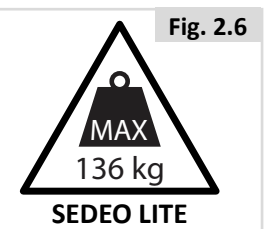
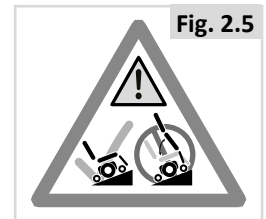
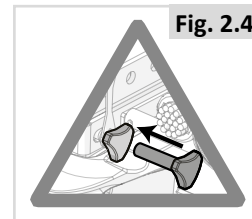
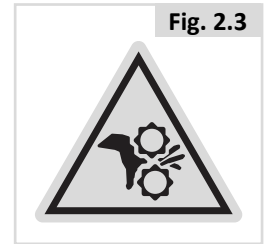
Fig. 2.10. The serial number and information label, (example only).

Fig. 2.11. Location of Serial Number Label, (overleaf - Fig. 2.11.1 Mid wheel, Fig. 2.11.2 Front Wheel, 2.11.3 Rear Wheel).

2.2 Safety: Temperature

WARNING!

- Avoid physical contact with the wheelchair's motors at all times. Motors are continuously in motion during use and can reach high temperatures. After use, the motors will cool down slowly. Physical contact could cause burns. Allow the motors after using at least 30 min. to cool down.
- If you do not use the wheelchair, ensure that it is not exposed to direct sunlight for lengthy periods of time. Certain parts of the wheelchair, such as the seat, the back and the armrests can become hot if they have been exposed to full sunlight for too long. This may cause burns or allergic reactions to the skin.



2.3 Safety: Moving parts, (Fig.2.12)

! DANGER!

A wheelchair has moving and rotating parts. Contact with moving parts may result in serious physical injury or damage to the wheelchair. Contact with the moving parts of the wheelchair should be avoided.

- Wheels (turning and castor)
- Powered tilt in space adjustment
- Powered seat elevator option
- Powered recline adjustment
- Swing-away bracket of the controller

2.4 Safety: Electromagnetic radiation

! CAUTION!

The standard version of your electric wheelchair has been tested on the applicable requirements with respect to electromagnetic radiation (EMC requirements) In spite of these tests:

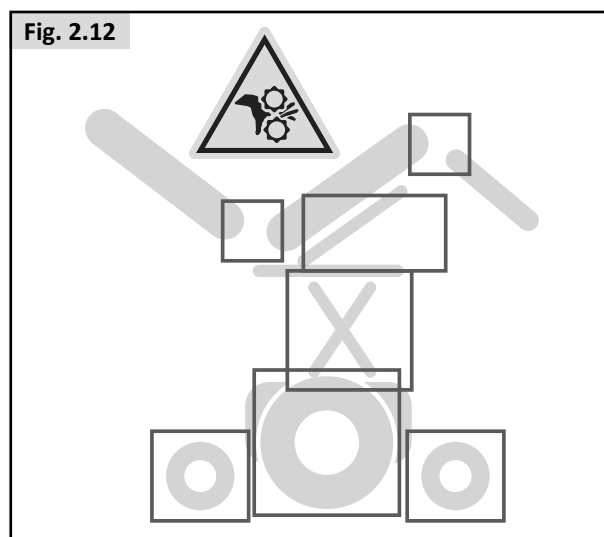
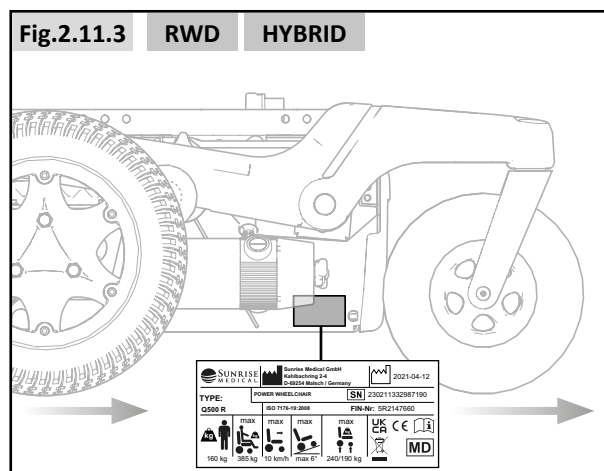
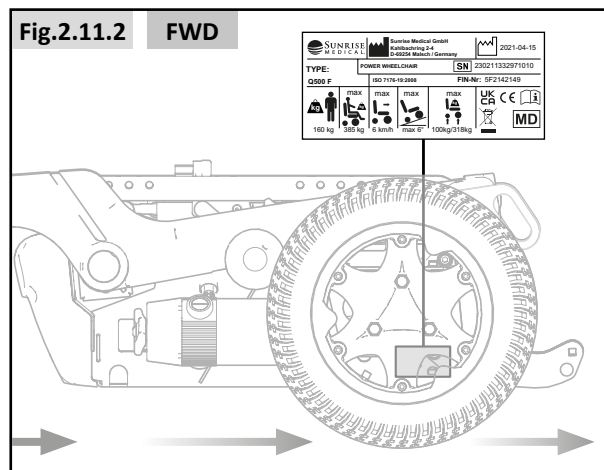
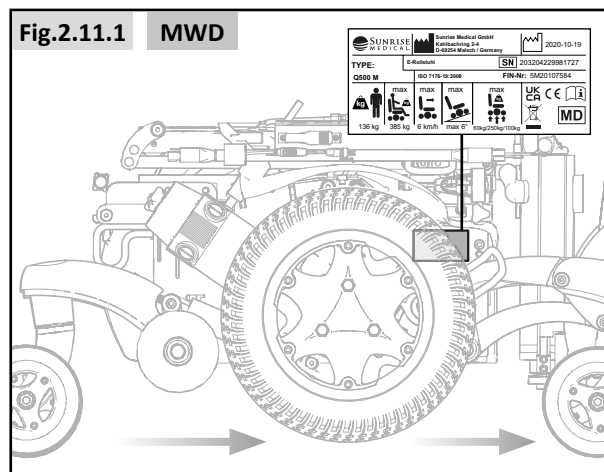
It cannot be excluded that electromagnetic radiation may have an influence on the wheelchair. For example:

- mobile telephony
- large-scale medical apparatus
- other sources of electromagnetic radiation
- It cannot be excluded that the wheelchair may interfere with electromagnetic fields. For example:
- shop doors
- burglar alarm systems in shops
- garage door openers

In the unlikely event that such problems do occur, we request that you notify your dealer immediately.

! DANGER!

- When operating two-way radio, walkie-talkies, C.B., Amateur radio, public mobile radio and other powerful transmitting devices the wheelchair should be brought to a halt and turned off.
- The operation of cordless, mobile telephones and cell phones including hands-free devices is permitted but if abnormal operation of the wheelchair is encountered then the chair must be brought immediately to a halt and turned off.



2.5 Safety: Choking hazard



DANGER!

This mobility aid uses small parts which under certain circumstances may present a choking hazard to young children.

2.6 Safety: Using a (vehicle mounted) wheelchair lift

Wheelchair lifts are used in vans, buses and buildings to help you move from one level to another.



DANGER!

- Ensure that the user and all carers fully understand the lift manufacturer's instructions for using the passenger lift.
- Never exceed the lift manufacturer's recommended safe working load and load distribution guidance.
- Always turn off all power when you are on the lift. If you fail to do so, you may touch the joystick by accident and cause your chair to drive off the platform. Be aware that a roll-stop at the end of the platform may not prevent this.
- Always position the user securely in the chair to help avoid falls while on the lift.
- Always ensure the chair is in drive mode when using passenger lift (wheels locked not in freewheel mode).

2.7 Safety: Trays

Safety: Swing away tray:



DANGER!

- The maximum weight allowed for the tray is 2.5kg.
- Do not overload the tray, this could cause the tray to break or could cause the chair to become unstable.
- Do not leave lit cigarettes or other heat sources on the tray as this could cause the tray to deform and mark.
- Ensure that all extremities and clothing are clear when positioning the tray for use.

2.8 Safety: Lifting the wheelchair



WARNING!

- Do not lift this seating system by any parts that are removable, doing so may result in damage to the seating system or injury to the user.

3.0 Intended use of the wheelchair



General description

The Q500 range is an ultimate modular power wheelchair. A distinctive feature is the suspension system that allows you to have a perfect driving experience indoors as well as outdoors. Due to its modular design, simplicity and wide range of adjustments, the Quickie Q500 series is a perfect choice for easy service, refurbishment and recycle requirements.

The Q500 series fulfils individual preferences, needs or circumstances and is available in the following configurations:

- Midwheeldrive (MWD): Q500 M
- Frontwheeldrive (FWD): Q500 F
- Rearwheeldrive (RWD): Q500 R
- Hybrid drive (HBD): Q500H

To have optimum seating support and individual adjustments the Q500 series is available in combination with


- Sedeo Lite seating system (refer to seating manual )
- Sedeo Pro seating system (refer to seating manual )

3.1 Area of application: The user

Power wheelchairs are exclusively for a user who is unable to walk or has limited mobility, for their own personal use indoors and outdoors.

Driving a powered wheelchair requires cognitive, physical and visual skills. The user must be able to estimate and correct the results of actions when operating the wheelchair.

The wheelchair cannot transport more than 1 person at a time. The maximum weight limit (includes both the user and any weight of accessories fitted to the wheelchair) is marked on the serial number label, which is affixed to the chassis of the chair (Fig. 2.10).

For restrictions on user weight limit refer to seating manual .

The user must be informed of the contents of this user manual before driving the wheelchair. In addition, the user of the wheelchair must be given thorough instruction by a qualified specialist before he or she participates in traffic. The first sessions in the wheelchair should be practiced under supervision of a trainer/advisor.

Indications

The varieties of fitting variants, as well as the modular design, mean that it can be used by those who cannot walk or have limited mobility because of:

- Paralysis
- Loss of extremity (leg amputation)
- Extremity defect deformity
- Joint contractures/joint injuries
- Illnesses such as heart and circulation deficiencies, disturbance of equilibrium or cachexia as well as for elderly people who still have strength in the upper body.

Contraindications

The wheelchair shall not be used in case of:

- Perception disorder
- Imbalance
- Seating disability

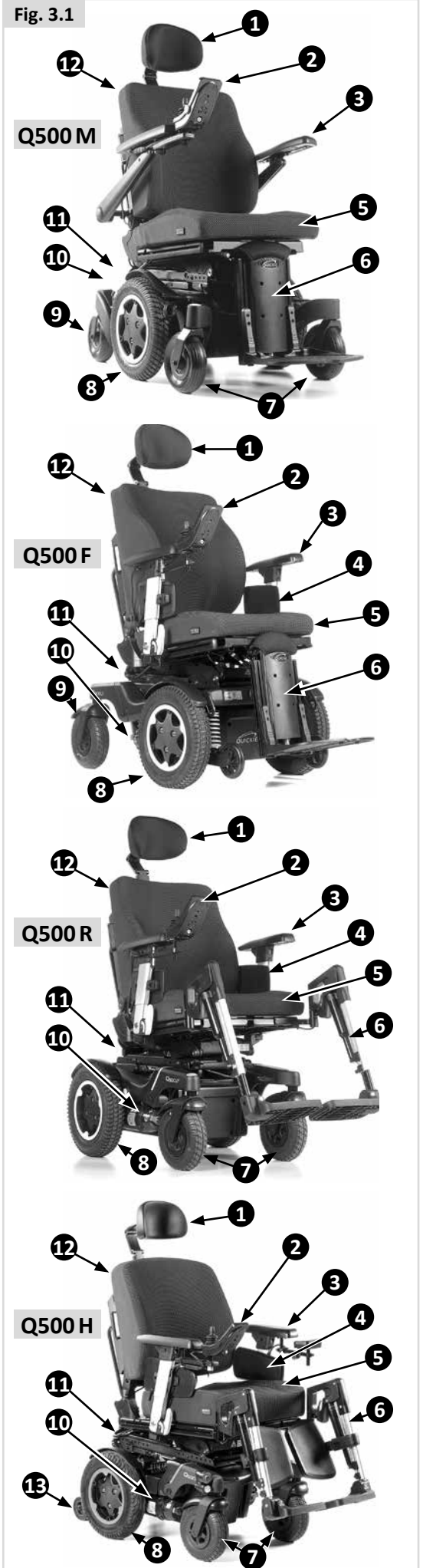
NOTE:

Please note that driving a wheelchair requires sufficient cognitive, physical and visual skills. The user must be able to assess the effects of actions during the operation of the wheelchair and, if necessary, to correct them. These capabilities and the safe use of the additionally attached components cannot be assessed by Sunrise Medical as a manufacturer. We cannot accept any liability for any damage resulting from this.

Please refer to the operating instructions of the wheelchair and the additionally mounted components. Instruct the user in the safe use of the wheelchair and the additionally mounted components. Inform users of specific warnings that need to be read, understood, and respected.

Basic Components (Fig.3.1)			
1.	Headrest	8.	Drive Wheel
2.	Joystick	9.	Rear Castor
3.	Arm Rest	10.	Motors
4.	Side Cushion	11.	Battery Box
5.	Seat Cushion	12.	Back Upholstery
6.	Leg Rest	13.	Trailer Wheels
7.	Front Castor		

Fig. 3.1



⚠ WARNING!

- If you are under the influence of medicines that can have an effect on your ability to drive, you are not permitted to drive a wheelchair.
- Adequate vision is required in order to safely operate a wheelchair in the user situation concerned.
- Not more than one person at a time can be seated in the wheelchair.
- Do not allow children to ride in the wheelchair unsupervised.

⚠ CAUTION!

- The user of the wheelchair is at all times completely responsible for complying with the applicable local safety regulations and guidelines.

Attendants

When an Attendant Control Module is fitted, the Power Wheelchair may be operated by an assistant on behalf of the user.

When a Dual Control Module is fitted the Power Wheelchair may be operated by the user, or control may be switched to an assistant to operate on behalf of the user.

- Make sure you heed all warnings and follow all instructions in each section of this manual. Warnings that apply to the user also apply to you.
- Do not stand or sit on any portion of this seating system.
- You need to work with the user, and the user's doctor, nurse or therapist, to develop safe methods best suited to your abilities and those of the user.
- Check to make sure push handle grips will not rotate or slip off.
- Make sure you always have comfortable access to the attendant controls while the chair is moving and make sure that the controller is fixed securely to the chair.
- Set the speed of the attendant control to a speed that you can comfortably follow.
- Always turn off the power to the controller when leaving the user in the chair.

3.2 Area of application: The user environment

This wheelchair has been designed to accommodate both indoor and outdoor use (EN12184 (2014) Class B). When driving the wheelchair outdoors, drive only on paved roads, pavements, footpaths and bicycle paths. The speed must be adapted to suit the environment.

⚠ WARNING!

- Drive carefully on slippery roads resulting from rain, ice or snow!
- You are required to turn on the lights in case of limited visibility.
- When driving at higher speeds you must be extra careful. Select a lower maximum speed indoors, on the pavement and in pedestrian areas.
- Do not drive off high obstacles.
- Do not attach a weight to the wheelchair without the approval of a qualified specialist. This may negatively affect the stability of the product.

⚠ CAUTION!

- Prevent the wheelchair from coming into contact with sea water: sea water is caustic and may damage the wheelchair.
- Prevent the wheelchair from coming into contact with sand: sand can permeate into the moving parts of the wheelchair, causing extensive wear on these parts.
- Do not use the wheelchair if temperatures are below: -25°C or above $+50^{\circ}\text{C}$.
- Do not open doors using the leg rests.
- Do not push and/or tow any objects with the wheelchair.
- Do not drive through puddles of water.

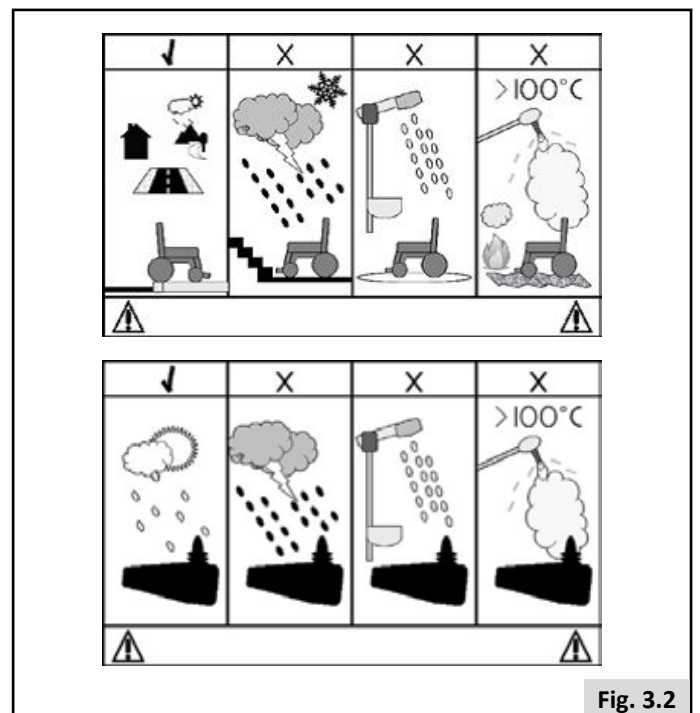



Fig. 3.2

4.0 Setting up the wheelchair

Sunrise Medical wheelchairs can be adjusted according to specific needs of the user.

In this, we make a distinction between wheelchair settings and wheelchair seating adjustment options. Settings are carried out once, the first time the wheelchair is going to be used. They must be executed by qualified specialist, unless explicitly stated otherwise. Seating adjustment options can be carried out by the user. These adjustment options do not require the use of tools.

4.1 Seating system

The extensive settings with respect to the seating system allow for optimum support of the body ( Seating system). The following setting options are possible:

1. Seat depth and seat width
2. Backrest angle
3. Armrest height/width
4. Lower leg length
5. Angle of the footplate
6. Legrest angle

4.2 Seat height

Depending on the specific circumstances of the user of the wheelchair the seat height can be set. Every optional seat height lies within the rated slope as described in EN12184 (2014) Class B. Lowering the seat height has a positive influence on the (dynamic) stability.

WARNING!


Increasing the seat height has a negative effect on dynamic stability.

4.3 Centre of gravity

DANGER!

Adjusting the centre of gravity on a powered wheelchair is both physically demanding and safety critical. Sunrise Medical recommends that this adjustment is only performed by a service agent/dealer approved by Sunrise Medical.

4.4 Controller height and depth

( Seating system).

4.5 Control system programme

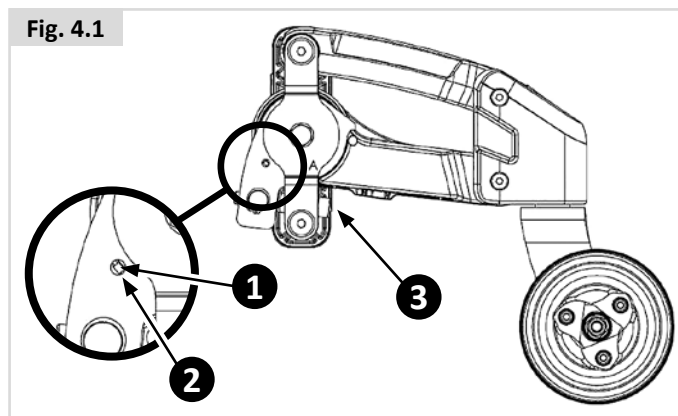
This wheelchair is equipped with a control system that can be programmed by adjusting settings within the system. This is a specialized job that needs training and can only be adjusted with professional software. The end user is not allowed to adjust these settings.

DANGER!

The incorrect setting of the parameters for the control system may result in very dangerous situations. Settings must be made by qualified specialists.

4.6 Trailer Wheel Set-up (Fig. 4.1)

Whilst the user is seated and positioned for driving, the trailer wheel is set by turning the adjustment screw left or right. The trailer wheel is correctly set when the marker (1) is visible through the viewing pane (2).



4.7 Lap strap / seating positioning belt

DANGER! / WARNING!

- This product is only to be used to position a single person in a wheelchair.
- Lap straps are not suitable for transit purposes, approved occupant restraint systems must be used.
- Failure to heed these warnings may result in severe injury or death.
- Ensure that the carer or attendant is trained in the correct operation of the belts.
- Untrained carers or attendants may lead to delays, if an emergency situation occurs.

Mounting a lapstrap / seating positioning belt

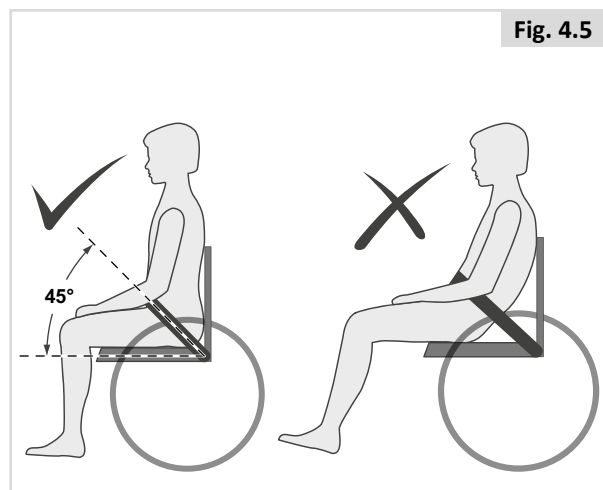
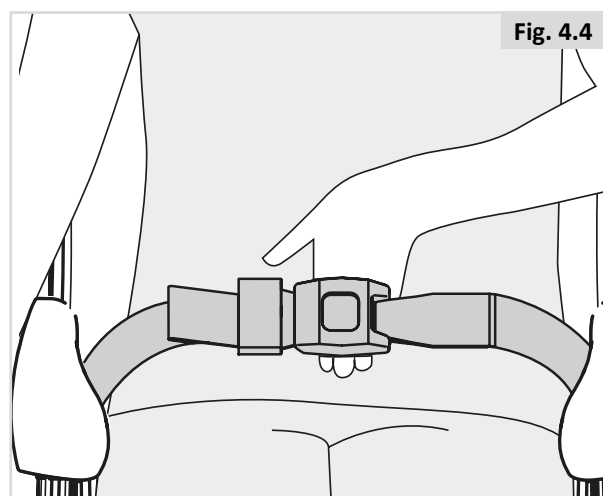
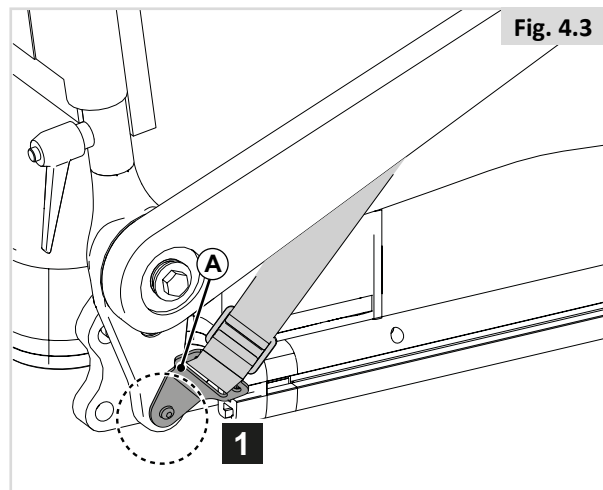
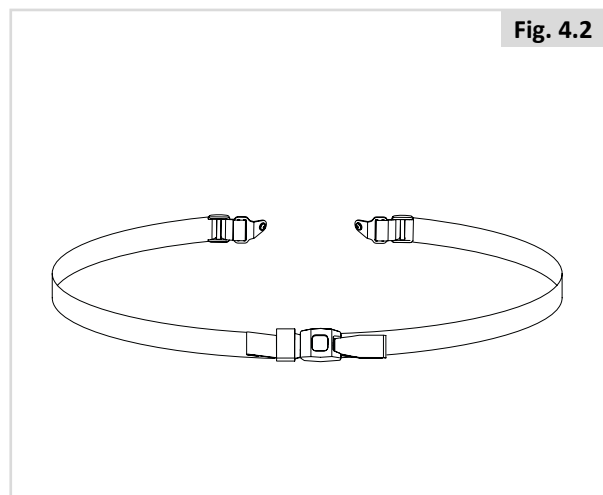
1. Attach (A) to the seating frame using a screw on the left and on the right. (Fig 4.3)

Positioning a person with a lapstrap

- Adjust the lap strap to suit, leaving no more than a hand's width gap for comfort and safety (Fig 4.4).
- The hand clearance should be with the lap strap under normal tension and not allow large gaps or loops.
- Generally, the lap strap should be fixed so that the straps sit at an angle of approximately 45° (Fig. 4.5), and when correctly adjusted should not allow user to slip down in the seat.
- Place the strap loosely across the seat with the opening end of the buckle facing to the right for a left-handed person and to the left for a right-handed person. Pass the other ends of the strap through the gap between the backrest posts and the backrest.

DANGER! / WARNING!

- Always make sure that the lap strap is correctly secured and adjusted prior to use.
- If a strap is too loose it could cause the user to slip down and cause serious injury.
- Check lap strap and securing components at regular intervals for any signs of fray or damage. Replace if necessary.
- When servicing, check for correct operation of the release buckle and for any signs of wear on the material or plastic brackets.
- Regular Checks/Activities:
- As with all positioning components, there is a need for corrective adjustments as the person changes their seating position over time.
- Check the belts regularly for correct fitting, to ensure the safety and comfort of the user.



4.8 Adjusting the Shock Absorber



CAUTION!

Make sure controller is turned off.

1. Prop up the chassis so the wheels are no longer supported. (Fig. 4.6).

2. Undo the 3 nuts and remove drive wheel (Fig. 4.7).

Fig. 4.6

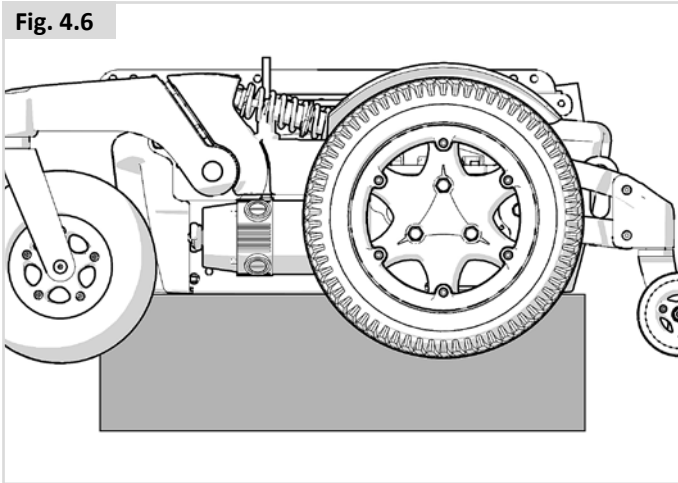
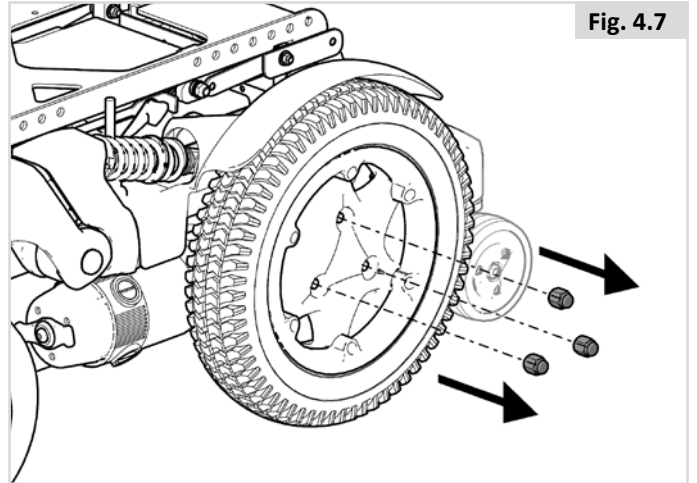


Fig. 4.7



3. Remove shock absorber cover by applying upwards pressure to the bottom of the cover and simultaneously pulling the cover towards you (Fig. 4.8).

4. Undo the M8 nut and remove screw M8x45 which secures the top of the shock absorber (Fig. 4.9).

Fig. 4.8

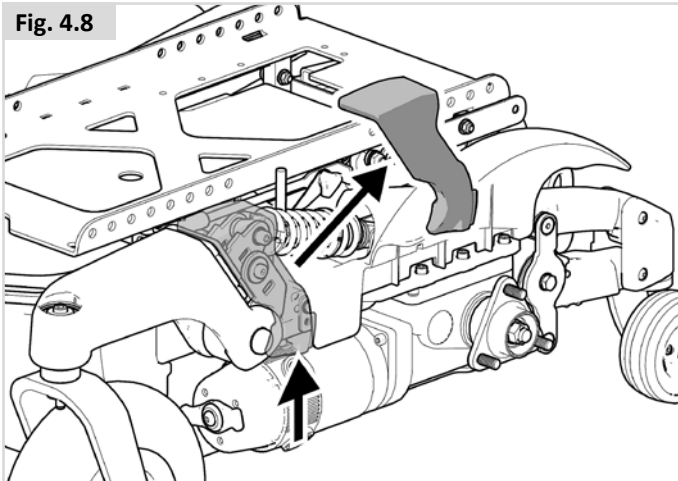
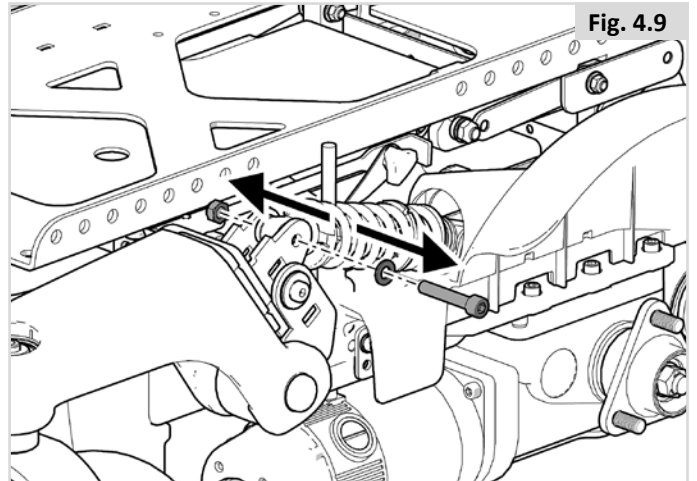


Fig. 4.9



5. Undo the 2, M6 screws which secures the fender (Fig. 4.10).

6. Manipulate the shock absorber and the fender and remove the fender from the assembly (Fig. 4.11).

Fig. 4.10

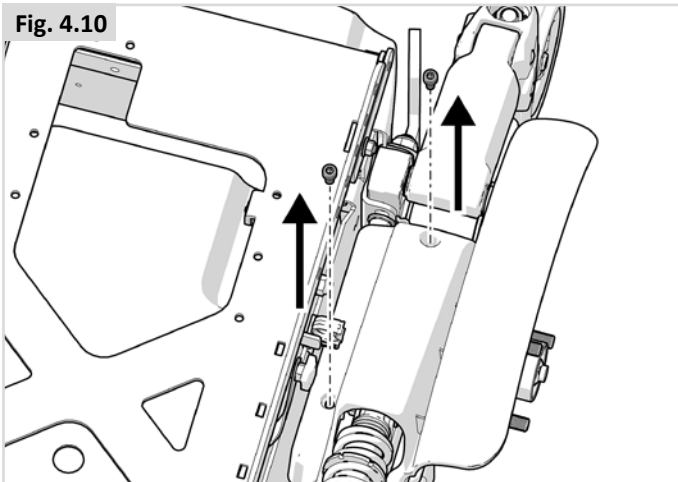
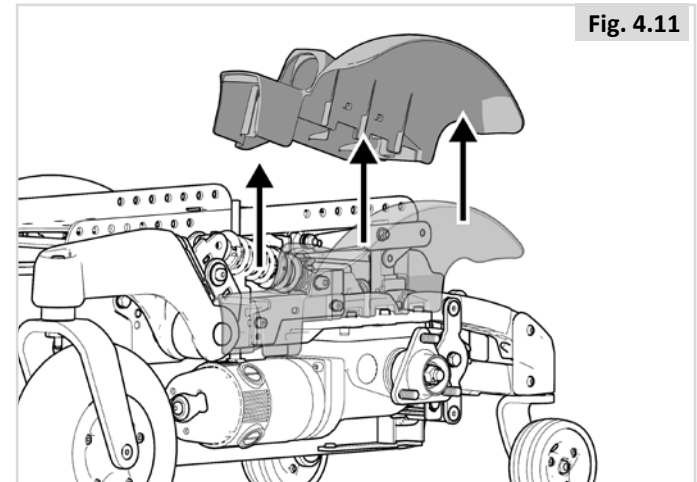
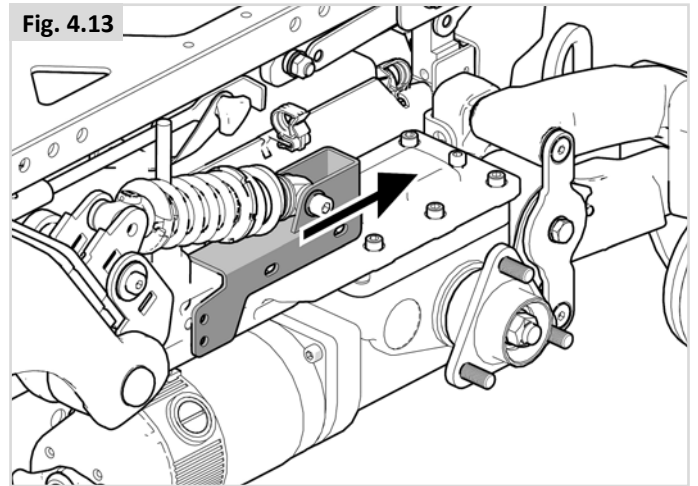
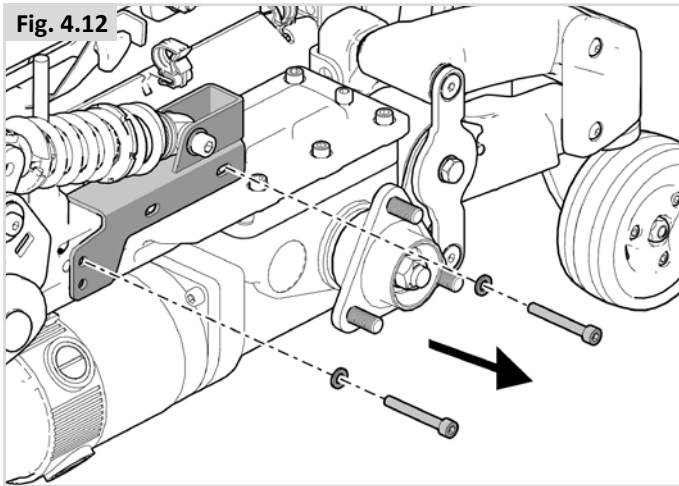


Fig. 4.11



7. Undo the 2, M6 nuts and remove M6x45 screws (Fig. 4.12).

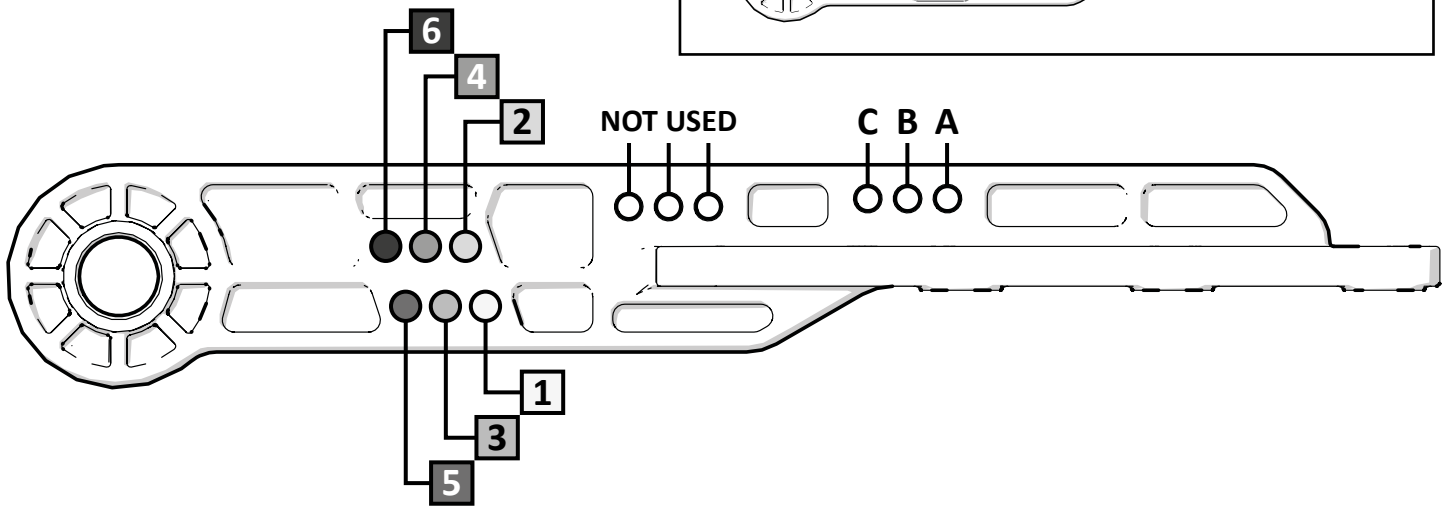
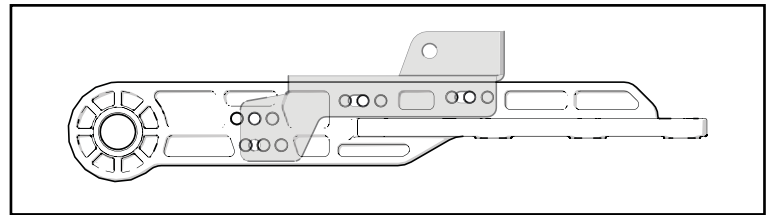
8. Adjust the position of the bracket and re-assemble in reverse order (Fig. 4.13).



⚠ CAUTION!

Check to see if the trailer wheel needs adjusting by following the instructions in section 4.6 Trailer wheel set-up.

TORQUE SETTINGS FOR RE-ASSEMBLY		
Step	Item	Setting
5	M8 nut and M8x45 bolt	22Nm
6	Step 6 – M6 screws	3Nm
8	M6 and M6x45 screw	9Nm



MANUAL BACK REST			
ADJ	SEAT DEPTH [mm]	SETTING	
1	400	1	A
4	430	1	A
5	440	1	A
7	460	1	A
9	480	1	A
10	490	2	A
13	520	2	A
17	560	2	A

POWER BACK REST			
ADJ	SEAT DEPTH [mm]	SETTING	
1	400	1	A
4	430	1	A
5	440	1	A
7	460	2	A
9	480	2	A
10	490	2	A
13	520	2	A
17	560	3	B

5.0 Using the wheelchair

DANGER!

- Be aware that you may need to adjust the controller settings of your system.
- Consult your authorised dealer to adjust the control settings immediately if you notice any change in your ability to:

1. Control the joystick
2. Hold your torso erect
3. Avoid running into objects.

5.1 Checking wheelchair before use


Perform the following daily check routine before driving:

CAUTION!


Checking wheels & tyres

- Are the tyres sufficiently inflated (Chapter 8.2).

Checking batteries

- Before using your vehicle for the very first time, please charge your batteries for a period of 24 hours.
- Are the batteries sufficiently charged? The green lights on the battery indicator must be on.  Controller

Checking lights and indicators

- Ensure that the lights and indicators are functioning correctly and lens are clean before going outdoors at night.  Controller

Checking remote

- With the control system switched off, check that the joystick is not bent or damaged and that it returns to the centre when you push and release it.

Checking free wheel lever

- Ensure that the free wheel lever has been set to 'drive'. (Chapter 5.8).

Checking seating

- Ensure that all the cushions are in place.
- Make sure that the backrest is correctly fitted and adjusted.
- Visually inspect the wheelchair to make sure the leg rests, armrests etc. are correctly positioned and attached to the wheelchair and all fasteners are sufficiently tightened.
- Ensure that the seat interface knobs are tight and secure (Fig. 5.1).

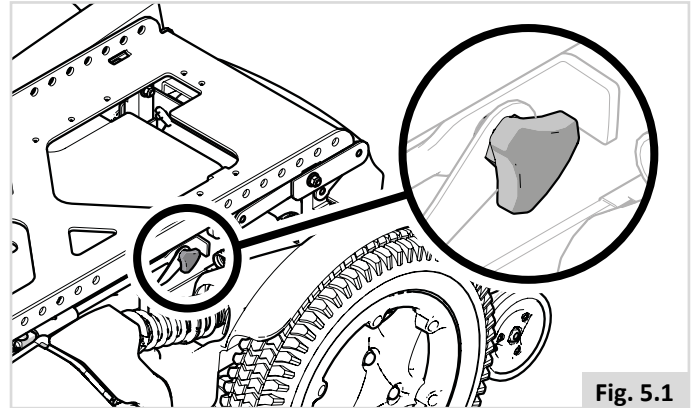


Fig. 5.1

Checking clothing on potential entrapment

- When operating the wheelchair, ensure that your clothing does not hamper the wheelchair (i.e. too long). Before use, always check if your clothing or accessories do not come into contact with the wheels or and other moving and/or rotating parts in which they could become entangled.

Checking weather conditions

- In winter, batteries have a reduced capacity. During a period of light frost, the capacity is roughly 75% of the normal capacity. At temperatures below -5°C this will be roughly 50%. This will reduce your range of action.


5.2 Making a transfer

Sunrise Medical recommend that you consult your healthcare professional for assistance in developing your personal front or side transfer technique to best suit your needs and avoid any personal injury.

Preparing for a forward transfer:



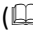
It is dangerous to transfer on your own. It requires good balance and agility. Be aware that there is a point during every transfer when the seating system seat is not below you.

For further instructions and warnings about making a transfer, please refer to  Seating system.

5.3 Driving the wheelchair



- The user of the wheelchair is at all times completely responsible for complying with the applicable local safety regulations and guidelines.

Powered wheelchairs are driven by means of a controller. There is a separate user manual for the controller and this was included with this wheelchair ( Controller).

1. Switch on the controller.
2. Set the maximum speed limit.
3. Move the joystick in the direction in which you would like to go.
4. Moving the joystick even further forwards will cause the wheelchair to drive faster.

Rear view mirror



- To avoid injury to people around you please be aware that the mirror protrudes outside the space envelope of the chair and could cause injury to someone when driving past.
- The mirror must be used on models at speeds over 6 kph on roads according to local law.
- Always make sure that when using the mirror that it is clean and unbroken so that it does not impair your visibility.

Road use

Please show the utmost consideration for the other traffic on the road.

DANGER!

- Remember that the last thing a car or lorry driver expects to see is a wheelchair backing off the kerb into the road.
- If in any doubt, do not risk crossing the road until you are certain that it is safe.
- Always cross the road as quickly as possible, there may be other traffic.
- Do not drive over anything that could cause punctures in the tyres.
- Ensure that there are no objects in your path that could possibly become lodged in your chair mechanism or in the spokes of the rear wheels. This could cause the chair to come to a sudden stop.
- Riding over drains or grids could cause the wheelchair castors or wheels to become lodged, causing the chair to come to a sudden stop.

Adverse conditions:

Please be aware that when driving your wheelchair in adverse conditions, e.g. on wet grass, mud, ice, snow or other slippery surfaces, you may experience a reduction in the grip and traction of your wheelchair.

DANGER!

- We recommend you take extra precautions in these conditions, particularly on hills and slopes; your wheelchair could become unstable or skid causing possible injury.
- When you are using a Powered Wheelchair take extra care with loose or long items of clothing. Moving parts, such as wheels, can be potentially dangerous or even fatal if clothing becomes entangled.

NOTE :

Extreme variances in temperature may trigger the self protect mechanism in the control system. If this occurs the control system will temporarily shut down to prevent damage to the electronics or the wheelchair.

5.4 Curves

DANGER!

Full speed turns should not be attempted. If you need to turn sharply you must reduce your speed with the joystick or speed setting. This is particularly important when travelling across or down a slope. Disregarding this advice could lead to your wheelchair tipping over.

WARNING!

Use indicators when changing direction.

5.5 Braking & Emergency stop

There are three ways to stop your wheelchair:

- Simplest and safest way to stop the wheelchair is to release the joystick. This will bring the chair to a halt in a controlled manner.
- Pulling back the joystick will break the chair abruptly with a fast stop.
- Switching the control system off whilst the chair is in motion will also bring the chair to a halt.

WARNING!

- Switching the control system off is only to be used in an emergency situation as the stopping action is very abrupt.
- Never try to stop or slow this seating system with the wheel locks (if applicable). Wheel locks are designed to prevent the system from moving when stopped. They are not brakes.

5.6 Driving on a slope

Your wheelchair has been designed and tested to allow its use on slopes or gradients of up to:

Q500 M: 6° (10.5%) in standard configuration.

Q500 F: 6° (10.5%) in standard configuration.

Q500 R: 10° (17.6%) in standard configuration.

Q500 H: 10° (17.6%) in standard configuration.

However, you have the option of adjusting your position with the seat elevator, tilt in space, powered recline or powered centre mount leg rest or a combination of these options.

DANGER!

- Elevating, tilting and leg rest adjustments can affect the wheelchair centre of gravity. Under certain conditions this might cause instability that could lead to unintentional tipping. It may be necessary to carry out a risk assessment if the wheelchair is adjusted to extremes.
- Stopping distances on slopes can be significantly longer than on level ground.

DANGER!

- In certain circumstances your wheelchair could become unstable.
- Before attempting to climb or descend a slope or a kerb, caution should be taken when using weight shift options (e.g. powered, recline or standing), of the seat and/or your body for a counter balance weight.
- To improve stability lean forward when driving uphill, with the seat and back in an upright position.
- Alternatively sit in an upright position when travelling in a forward, downhill direction or and/or recline the seat backwards.
- We strongly recommend that you return the seat and back to their home positions before attempting to climb or descend a slope. Failure to do this may cause the wheelchair to become unstable.
- If you are in any doubt about the capabilities of your wheelchair on a slope then do not attempt to drive up or down the slope/kerb; try to find an alternative route.

Gradients: ascents:

WARNING!

- When going uphill, keep the chair moving.
- Steer by carefully moving the joystick forwards making slight Left and Right adjustments as you go.
- If you have stopped on a hill, you should start slowly.
- If necessary lean forward.

Gradients: descents:

On descents, it is important not to let the wheelchair accelerate beyond its normal level of ground speed.

DANGER!

- Proceed slowly down steep descents, (below the speed of 5kph) and stop if you feel anxious.
- If the chair picks up speed, centre the joystick to its home position to allow it to slow, or to stop.
- Restart slowly and do not allow the speed to increase above what you are comfortable with.

NOTE:

- The controller has the benefit of a logic system that will help compensate when driving along a camber or up a hill. This is an added safety feature on your wheelchair. In addition of course, you may control the wheelchair speed by using the speed control.

5.7 Obstacles & kerbs:

DANGER!

- Never descend a kerb backwards.
- Do not attempt to climb or descend a series of steps or use on escalators. It is unsafe to do so and could cause personal injury or damage the chair. This wheelchair has only been designed to climb a single step or kerb.
- We recommend that users with upper trunk instability wear restraint systems to keep the upright body position during descending or ascending ramps, kerbs or obstacles.

Kerb climbing:

Always approach a kerb at 90° (Fig. 5.2).

- Approach the kerb or step, head on at a 90° angle.
- Drive forwards slowly and steadily.
- Stop the chair as soon as the castor wheels touch the kerb.
- Apply sufficient power to the motors to lift the front of the chair up onto the kerb or step and then apply slightly more power until the drive wheels climb the kerb or step smoothly.
- As far as possible, keep the joystick in the straight forward position.

The maximum obstacle or kerb climbing height is:

Q500 M	50 mm
Q500 F	70 mm
Q500 R	80 mm
Q500 R + kerbclimber	100 mm
Q500 H	85 mm

The approach speed and process can vary depending on your wheelchair drive type and castor wheel choice.

Dismounting the kerb.

DANGER!

Move the chair slowly and carefully in a forward direction until both front wheels are on the edge of the kerb, again in a 90° position to the kerb.

Drive as slowly as possible off the kerb with the drive wheels. Don't stop the chair during descent of the kerb. You will feel more secure if you can lean backwards, but if you can't, don't worry, the wheelchair is stable. As long as you stay within its limitation, you will be quite safe.

All powered seating options need to be in home position. Your powered leg rests may need to be adjusted to give enough clearance to mount or dismount the kerb.

We recommend to use the lap strap to feel more secure during declining the kerb. For extra protection we recommend to fit every chair with the leg rests.

WARNING!

In a RWD chair it may be preferable to dismount the kerb in the reverse direction. Though it is advised to do so slowly and to be aware of traffic and your surrounding environment. It is also recommended to have assistance whilst undertaking this procedure. Only kerbs less than the recommended 80mm should be dismounted.

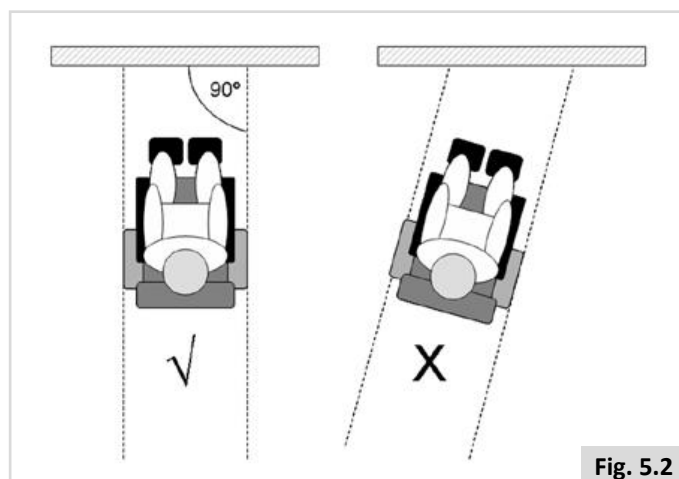


Fig. 5.2

5.8 Pushing the wheelchair

The wheelchair can be moved by pushing. In order to do so, the motors must be disengaged using a freewheel lever. This feature was developed for the attendants of wheelchair users and also functions as an emergency freewheel lever.

The freewheel lever has 2 positions

1. For driving the wheelchair. (Fig. 5.3).

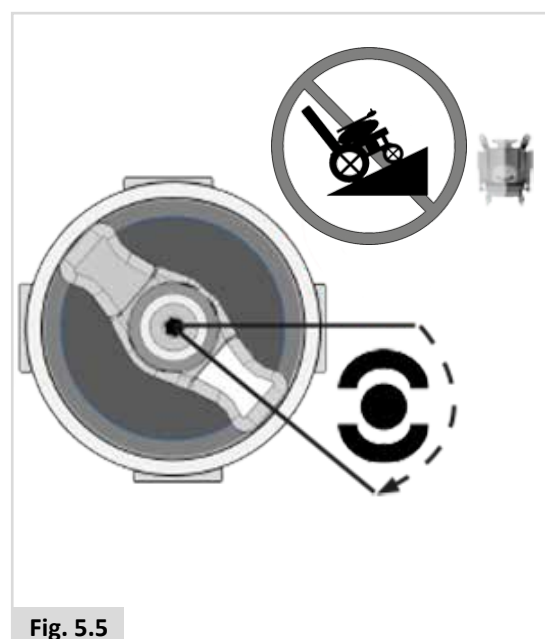
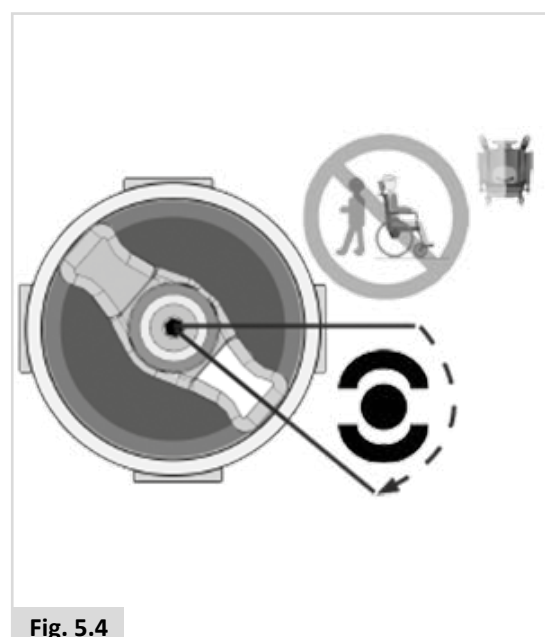
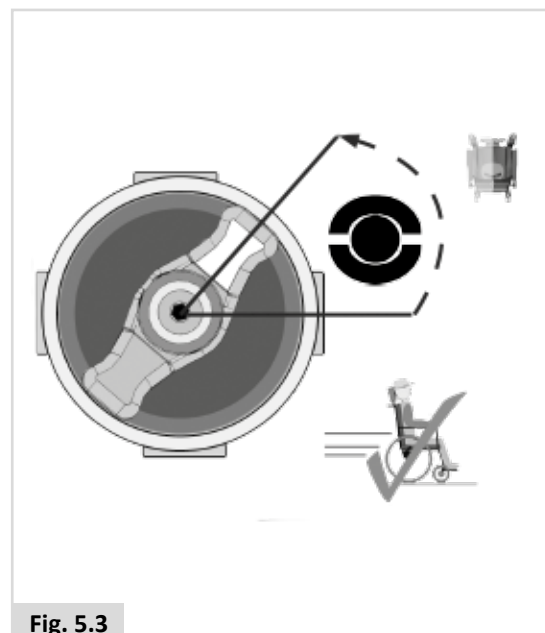
'Drive' position: Turn the lever so that the lever at the drive wheel side is pointing upwards.

2. For disengaging the motors. (Fig. 5.4 - Fig.5.5).

'Push' position: Turn the lever so that the lever at the drive wheel side is pointing downwards.

DANGER!



- The free wheel lever should only be operated by the attendant and never by the user.
- A user may never be left unattended while the wheelchair is in 'push'.
- Never set the lever to the 'push' position on a slope! When the freewheel lever is set to 'push', the automatic parking brake is deactivated. This makes it possible for the wheelchair to roll down the slope.
- The automatic parking brake only works is the lever is set to 'drive' position.
- When the wheelchair is no longer being pushed, the freewheel lever should be set to 'drive' immediately.
- To manually push the system you must release the motor brakes.
- Do not engage or disengage motor brakes unless power to the system is off.
- Make sure you have full control over the system when you release the motor brakes. When you do so the system will not have brakes.
- Make sure the system is on level ground before you release the motor brakes.
- Propel this system by the push handles only. They provide secure points for you to hold the rear of the system to prevent a fall or tip-over.
- Check to make sure push handle grips will not rotate or slip off.



5.9 (Powered) seating options

The wheelchair can be equipped by the following mechanical and/or powered options to adjust your seating position. These options can be operated by the user without the use of tools.

Powered adjustable seating options (Fig. 5.6 - Fig. 5.8).

How to operate these powered seating options can be found in  Controller +  Seating:

1. Powered tilt function
2. Powered seat elevator
3. Powered backrest recline
4. Powered elevating leg rests

The wheelchair may be equipped with a feature that allows the powerchair to be driven up to 4.5kph/3mph when the seat is elevated, this feature is called C-Me. For guidance with user weight limits and recommended chair configuration when using C-Me, please refer to your Sunrise Medical authorized dealer. **Note:** User weight is restricted to a maximum of 136kg in combination with the C-Me option.

DANGER!

- Use of the powered adjustable seating options may influence the stability of the wheelchair.
- Only use the powered adjustable seating options when the wheelchair is on a flat surface! Do Not attempt to operate any power seating option while positioned on an incline.
- Please stay clear of any powered actuator while the component is in motion. Sunrise power mechanisms move over large ranges of travel. Users should be aware of their surroundings while components are in motion.
- While driving this seating system in the reclined, elevated, or tilted position use caution.
- Do Not attempt to operate any power seating option while this seating system is in motion.
- Do not attempt to operate the lift or tilt power seating options around children.
- Through programming it is possible to reverse the direction of all powered seating functions, ensure you know which direction your seat is going to move before operating.
- Please be aware that the lift/tilt modules present a trap hazard. Make sure that during operation the lift/tilt modules are free from all clothing, hands, feet and other extremities, to prevent injury.
- Do not drive on ramps or slopes with the seating in the elevated position. Before attempting to climb or descend a slope, return the wheelchair to a standard seated drive position, with the backrest upright.
- This power system is designed to automatically reduce the maximum driving speed to a creep and/or C-Me mode when certain power seating limits are reached. Depending on the configuration of the chair there might be multiple creep and/or C-Me speeds.
- Before operating your chair in creep and/or C-Me mode, read all warnings and guidelines related to this feature. They will help in understanding how to reduce the risk of a fall or tip-over and how to identify environmental conditions that could affect your safety when driving while the chair is in creep and/or C-Me speed.
 1. When driving indoors or outdoors, in creep mode, it should only be used on flat, level, and hardscape surfaces.
 2. Driving in creep mode should never be attempted on uneven terrain like: gravel, grass, bumpy surfaces, uneven pavement, or hills.
 3. NEVER raise the seat when the chair is being operated in the proximity of any of the terrain types listed above, or on any uneven surface.

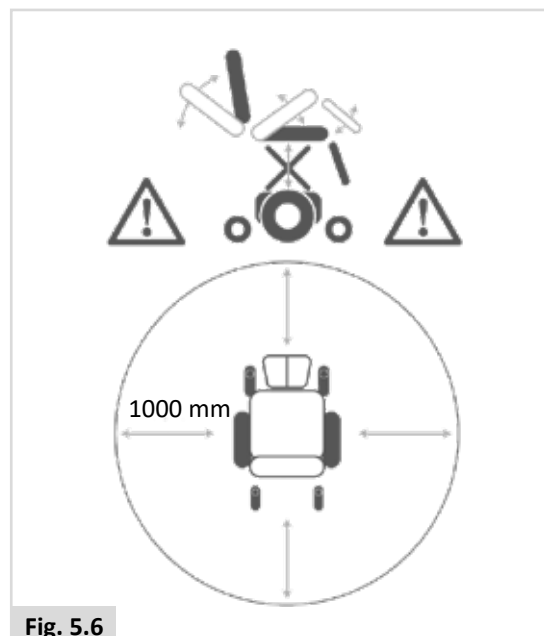


Fig. 5.6



Fig. 5.7

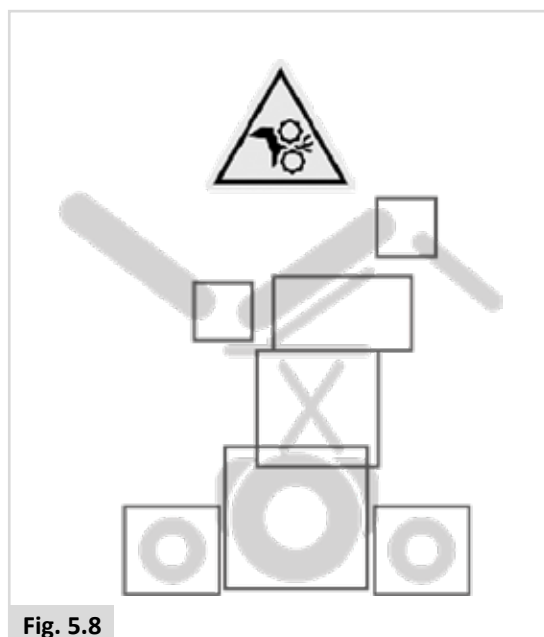


Fig. 5.8

6.0 Batteries, charging and range

6.1 Batteries

Batteries are the power source for almost all of the modern mobility products available today. The design of batteries used in mobility products is significantly different to the batteries used to start a car for example. Car batteries are designed to release a large amount of power over a short period of time, whilst mobility batteries (commonly called deep cycle batteries) release their power evenly, over a long period of time. Therefore, due to the lower production volumes and increased technological requirements, mobility batteries are typically more expensive.

Commonly two 12 volt batteries are used together in a mobility product, giving a total voltage of 24 volts. The size of the battery (e.g. its available power) is expressed in amps per hour e.g. 70amp/hr. The higher the number, the bigger the battery size, weight and, potentially, the greater the distance you can travel. Sunrise Medical only fit as standard maintenance free batteries into these types of wheelchairs. This type of battery uses a method of carrying the electrolyte commonly referred to as 'gel', that is held within the battery case. As the name implies, no maintenance is required other than regular charging. You can safely transport this type of battery without fear of acid spilling. **Furthermore, they are approved for transportation on aircraft, trains and ships.**

⚠ CAUTION!

- Do not fit car batteries to the wheelchair. Fit only deep cycle, maintenance free mobility batteries.
- When the batteries are worn out, take them to the local authority disposal point.
- Do not expose any part of the battery to direct heat (i.e. naked flame, gas fire).
- Be extra cautious to reduce the risk of dropping a metal tool onto the battery. It could spark or short circuit the battery or other electrical parts that may cause an explosion. Also take off all personal metal effects and dangling objects when working on the battery.
- Return the batteries back to Sunrise Medical or directly to the battery manufacturer for recycling, when they no longer hold charge.
- The battery terminals need to be checked regularly for signs of corrosion. If any corrosion is apparent, then clean the terminals completely and re-grease the terminal using Vaseline petroleum jelly, not ordinary grease. Ensure that the terminal nut and bolt, cable clip and exposed cable are completely covered with jelly.

⚠ DANGER!

- Do not expose any part of the battery to direct heat (i.e. naked flame, gas fire).
- Be extra cautious to reduce the risk of dropping a metal tool onto the battery. It could spark or short circuit the battery or other electrical parts that may cause an explosion. Also take off all personal metal effects and dangling objects when working on the battery.

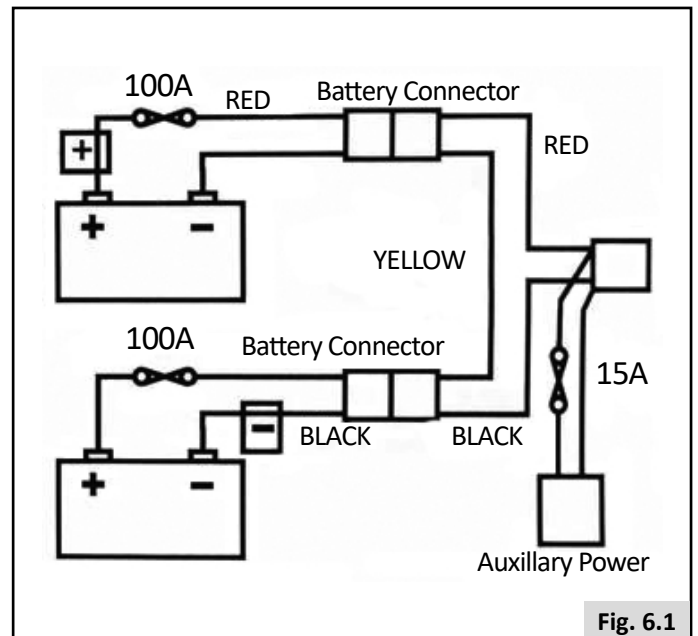


Fig. 6.1

⚠ DANGER!

- Do not, under any circumstances, tamper with the batteries. If in any doubt contact your local Sunrise Medical authorised dealer.
- Avoid contact with acid on damaged sealed type batteries or wet batteries.
- Battery acid can cause burns to the skin as well as damage to floors, furniture and your wheelchair.
- If battery acid comes into contact with the skin or clothing, wash immediately with soap and water.
- If battery acid comes into contact with the eye, immediately flood the eye with running cold water for at least 10 minutes and seek medical attention immediately.
- Acid spills can be neutralised with baking soda and water.
- Take care to keep batteries upright at all times, especially when transporting your wheelchair.


Safety cut-outs

In the event of a short circuit there are several safety systems built into your wheelchair to safeguard your electrical circuits, (Fig. 6.1).

1. Fusible 100A links are connected into the battery harnesses to protect the batteries and wiring.
2. 15A auxiliary power circuit fuses for auxiliary modules and seating power supply.

To replace them contact your Sunrise Medical authorised dealer, who will also diagnose the original fault.

6.2 Charging batteries:

 Battery charger: Please read the owner's manual with the charger supplied carefully. The general procedures and effects for the interference with the chair and the batteries remain valid.

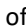

Battery care plan


Below is set out a battery care plan for maintenance free batteries. This has been agreed between Sunrise Medical and the battery manufacturers, to enable you to get the best out of your batteries. If a different care plan is followed, this may result in lower than expected performance from your mobility vehicle.

- Only use an approved Sunrise Medical charger compatible with the vehicle to be charged.
- Charge your batteries every night, regardless of the amount of use your mobility device has had during the day.
- Do not interrupt the charging cycle.
- If your mobility device is not required for use, it should remain connected to the charger until required. This will not damage your batteries, as long as the mains socket/plug is left switched on. Turning the mains socket/plug off, but leaving the mains cable plugged in will eventually deplete your battery charge.
- If you leave your vehicle for an extended period (more than 15 days) charge the batteries fully and then disconnect the main battery lead.
- Failure to allow for recharge will damage the batteries and can lead to shortened distances and premature failure.
- Do not top up the charge of your batteries during the day. Wait until the evening for a full overnight charge.
- As a general rule, maintenance free batteries take longer to fully charge than "wet" lead acid batteries.
- The battery terminals need to be checked regularly for signs of corrosion. If any corrosion is apparent, then clean the terminals completely and re-grease the terminal using Vaseline petroleum jelly, not ordinary grease. Ensure that the terminal nut and bolt, cable clip and exposed cable are completely covered with jelly.
- Following all the points above should result in a healthier battery, greater range for the vehicle user and a longer life for your batteries.

Connecting the battery charger

Procedure for connecting the charger and charging

- Switch off the wheelchair controller.  Controller:
- Connect the battery charger round output plug to the charging socket on the front of the joystick module.
 Controller:
- Connect the charger to the mains supply by means of the mains plug and switch on.

For more information about the charger operation, consult the instructions provided with the charger.  BATTERY CHARGER. Depending on how depleted the batteries are, it may take up to 12 hours to fully charge the batteries again.

DANGER!

- Make sure the cord is located so that it will not be stepped on, tripped over or otherwise subjected to damage or stress.
- Do not rest a battery on top of the charger.
- Do not stand the charger on a carpet or other soft surface. Always place it on a hard flat surface.
- Do not operate the charger if it has received a sharp blow, been dropped or otherwise damaged in any way. Take it to a qualified technician.
- Never place the charger directly above the battery being charged; gases from the battery will corrode and damage the charger.
- Never charge a frozen battery. A fully charged battery will rarely freeze but the electrolyte of a discharged battery can freeze at -9° Centigrade. Any battery that is suspected of being frozen should be thawed completely before charging.
- Never sit with the charger on your lap when charging your batteries
- The charger casing will get hot during its normal operation.
- Do not disassemble charger; only have it repaired by the manufacturers. Incorrect re-assembly may result in a risk of electric shock or fire.
- To reduce the risk of an electric shock, unplug the charger from the outlet before attempting any maintenance or cleaning. Turning off the controls will not reduce the risk.
- Never smoke or allow a spark or flame in the vicinity of battery or charger.
- You should not charge your batteries in outdoor conditions.
- It is advised to use a smoke detector in the charging area.

Battery Charger

The external charger has been designed to charge two 12V Gel type batteries connected in series (= 24 V).

The chargers have features which prevent hazards or accidents occurring as a result of connecting batteries the wrong way round, overheating caused by fault conditions or attempting to charge wrong voltage batteries.

The majority of charger sizes are electrically double insulated and no earth connection is required. Some larger sizes may be electrically earthed and this will be clearly stated on the label.

If your charger has been specified for use in Continental Europe it will contain a European two pin plug which does not have a fuse. In this case the fuse is located in the fascia panel of the charger.

Country specific information: UK

The 3 pin UK mains input plug contains a replaceable fuse. The rating of this fuse is shown on the charger label.

DANGER!

- As with all mains powered electrical equipment, always replace blown fuses with the same type and size of fuse as specified.
- Fitting of different fuses can result in an increased fire risk, damage to the charger or failure of the charger to operate properly.

6.3 The range of your vehicle:

Please refer to the specification tables at the back of this manual for Energy Consumption, (Maximum Range), information.

Most manufacturers of mobility products state the range of their vehicles either in the sales literature or within the Owner's Manual. The range stated sometimes differs from manufacturer to manufacturer even though the battery size is the same. Sunrise Medical measure the range of their vehicles in a consistent and uniform manner, but variances still occur due to motor efficiencies and overall product load weight.

The range figures are calculated to I.S.O. Standard 7176. Part 4: Wheelchair Energy Consumption Theoretical Range.

This test is carried out in controlled conditions with new, fully charged batteries, on a level test surface and a user weight of 100 kg. The range figures stated should be seen as a theoretical maximum and could be reduced if any single, or combination, of the following circumstances occur:

- User weight heavier than 100 kg.
- Batteries whose age and condition are less than perfect.
- The terrain is difficult e.g. very hilly, sloping, muddy ground, gravel, grass, snow and ice.
- The vehicle climbs kerbs regularly.
- The ambient temperature is very hot or very cold.
- Incorrect tyre pressures in one or more tyres.
- Lots of start/stop driving.
- Also thick pile carpets within the home can affect range.
- Use of additional power consumption options (e.g. light, actuators, etc.)

The battery sizes available on each Sunrise Medical product should give sufficient range to cope with the majority of customer's lifestyles.

6.4 Battery warranty:

Battery warranties are subject to periods set by the manufacturers. However, most of these warranties are subject to a wear and tear clause, and if you genuinely wear out your batteries in 6 months, it will not be possible to obtain a replacement under warranty.

6.5 Replacing batteries

The wheelchair uses two 12V non-spillable 'dry' gel batteries in series, these batteries are fully sealed and require no maintenance.

Replacing and servicing batteries is to be done by qualified specialist.

In case of malfunctioning batteries, contact your local dealer.

DANGER!

- Do not attempt to replace or service batteries without the supervision of trained and qualified personnel.

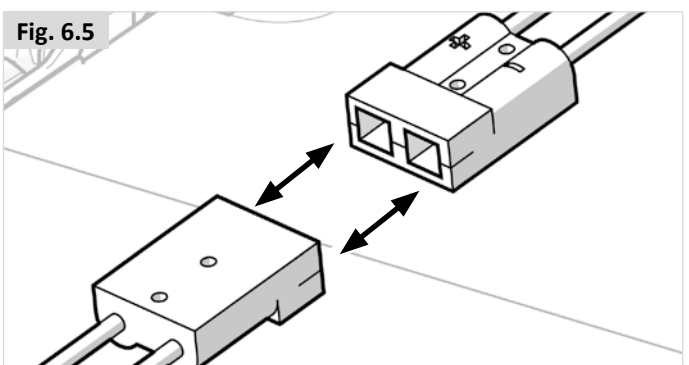
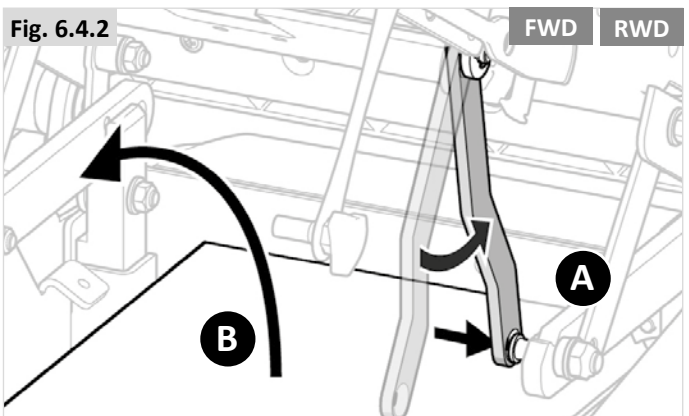
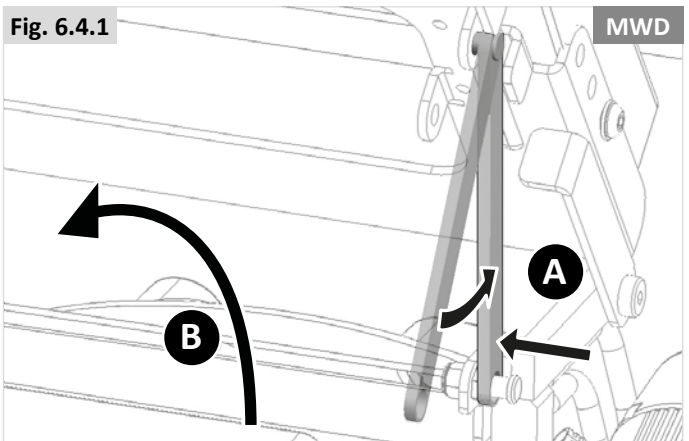
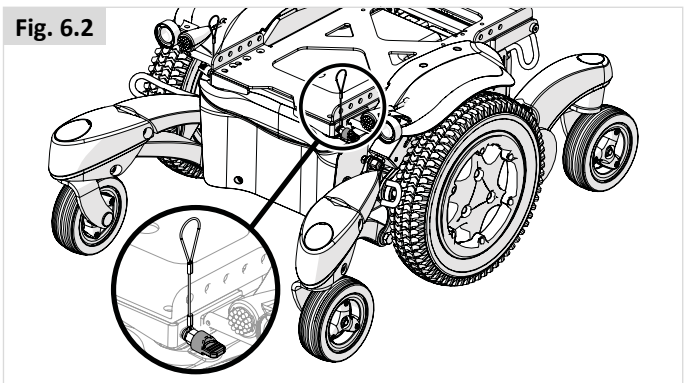
6.6 Disconnecting batteries for air transport.

The batteries are contained within the drive unit located under the battery shroud.

To disconnect the batteries on Mid-wheel drive:

- Release the two handle screws under the front of the seat frame, that connect the seat frame with the seat module interface, (Fig.6.2).
- Flip the seat frame backwards (Fig.6.3).
- Ensure the seat is secured with the seat stay in place, before letting go, (Fig.6.4.1 - A). You must make sure that the red seat stay is fully latched onto the pin.
- Lift off the battery box lid, (Fig. 6.4.1 - B).
- Disconnect the 2 pin Anderson connectors from each battery (Fig.6.5).

To reconnect the batteries reverse the above procedure.



To disconnect the batteries on Front, Rear-wheel & Hybrid drive:

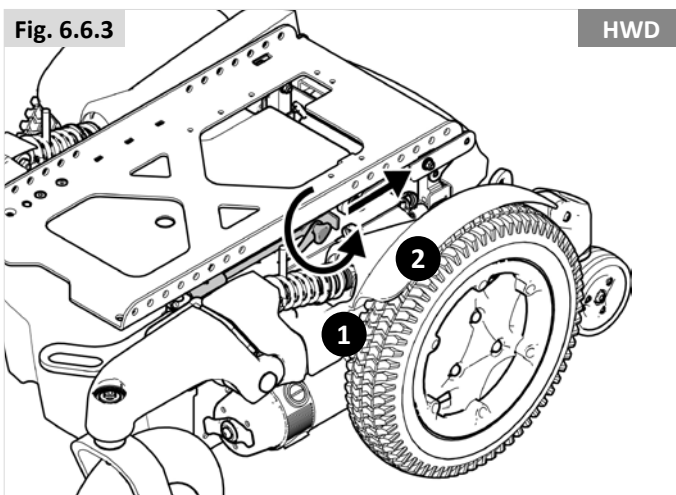
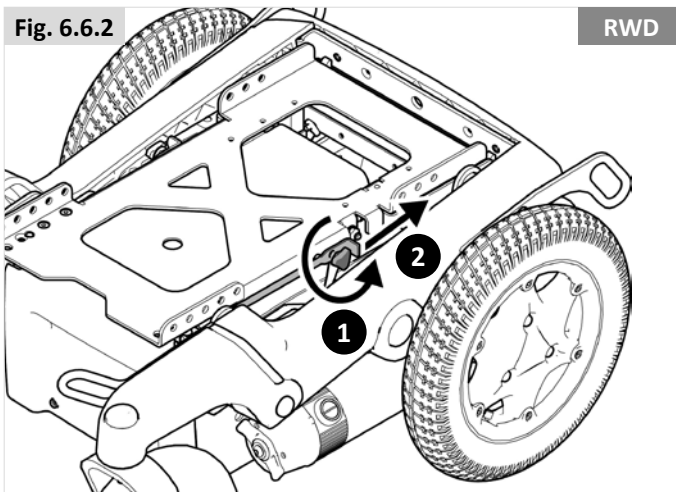
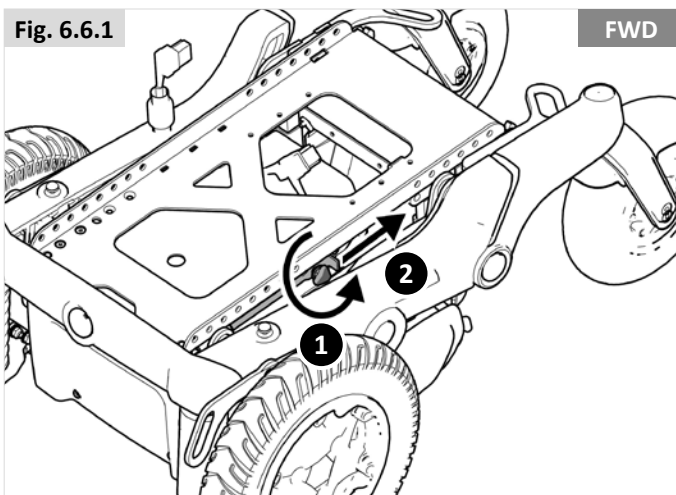
- Release the two handle screws under the mid of the seat frame, that connect the seat frame with the seat module interface (step 1) and release the lever (step 2) (Fig.6.6.1 - 6.6.3).
- Flip the seat frame backwards (Fig.6.3).
- Ensure the seat is secured with the seat stay in place, before letting go, (Fig.6.7 Front - Fig.6.8 Rear - Fig.6.9 Hybrid).
- Once secured (Fig.6.4.2 - A), lift off the battery box lid, (Fig. 6.4.2 - B). You must make sure that the red seat stay is fully latched onto the pin.
- Disconnect the 2 pin Anderson connectors from each battery (Fig.6.5).

To reconnect the batteries reverse the above procedure.

⚠ WARNING:

Removing the batteries can lead to a change of the center point of gravity. The result may be that the chair flips backwards without the weight of the batteries. Sunrise advises to:

- Putting an obstacle behind the chair to secure the situation. This can be a chest, or a chair, or etc.
- Try to lift the battery slightly first to check the effect of taking out the weight.



⚠ WARNING:

Removing the batteries can lead to a change of the center point of gravity. The result may be that the chair flips backwards without the weight of the batteries. Sunrise advises to:

- Putting an obstacle behind the chair to secure the situation. This can be a chest, or a chair, or etc.
- Try to lift the battery slightly first to check the effect of taking out the weight.

Fig. 6.7

FWD

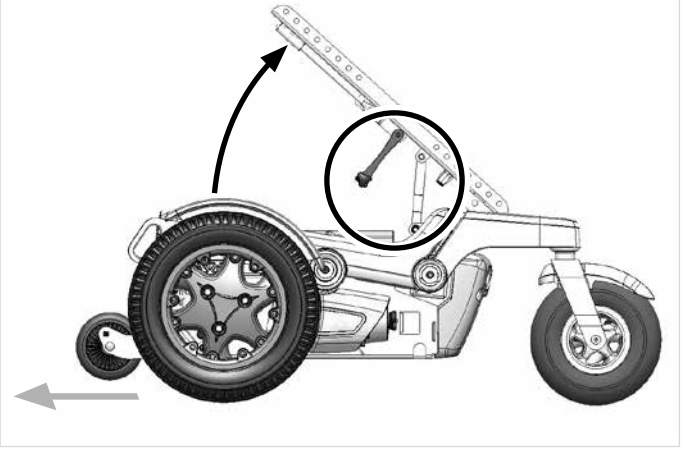


Fig. 6.8

RWD

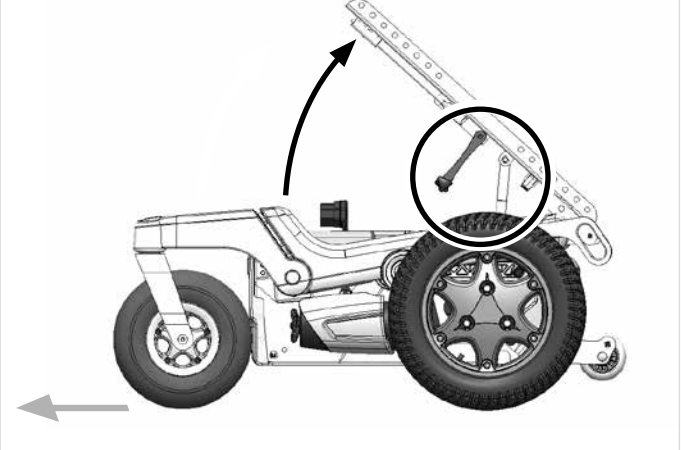
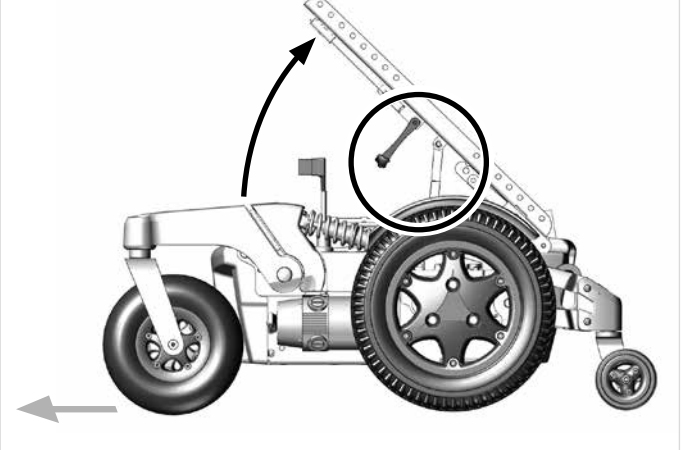


Fig. 6.9

HWD



7.0 Transportation

7.1 Transport of the wheelchair in a car

Getting in and out of the vehicle

! DANGER!

- Confirm that the vehicle is suitably equipped to transport a passenger in a wheelchair, and ensure the method of access/egress is suitable for your wheelchair type. The vehicle should have the floor strength to take the combined weight of the occupant, the wheelchair and accessories.
- Use a ramp (or lifting device) suitable for the entire weight of the wheelchair (including user) for entering the vehicle.
- The wheelchair should be secured in a forward facing direction. This wheelchair is approved for use in cars and meets the requirements for forward facing transport and head on collisions. The wheelchair has not been tested for other positions in a vehicle (Fig. 7.1).

! CAUTION!

- Sufficient space should be available around the wheelchair to enable clear access to attach, tighten and release the wheelchair and occupant tie down restraints and safety belts.
- Ease of access to, and manoeuvrability in, motor vehicles can be significantly affected by wheelchair size and turning radius; smaller wheelchairs and/ or wheelchairs with a shorter turning radius will generally provide greater ease of vehicle access and manoeuvrability to a forward-facing position.

Securing the wheelchair with a strap restraint system

This wheelchair has been successfully crash tested in accordance to: ISO 7176-19:2008, using a representing restraint system.

- Use 6 straps if the 4-point system is not rated to the weight of the wheelchair (2 at the front and 4 at the back) that conforms to ISO 10542-1 (international). Standard straps are only tested to 85kg.
- It is recommended to use with a 4-point strap restraint system rated for the total weight of the wheelchair including any options (Heavy Duty System) - 2 at the front, 2 at the back (Fig.7.2 & 7.3) that conforms to ISO 10542-1 (international).

NOTE: Use WTORS in accordance with the WTORS#1 manufacturers instruction.

Terminology explained:

- 1) *WTORS: Wheelchair Tie-down Occupant Restraint System*
Recommended angles for Tie-Down straps (Fig. 7.2 - 7.3).

Fig. 7.1

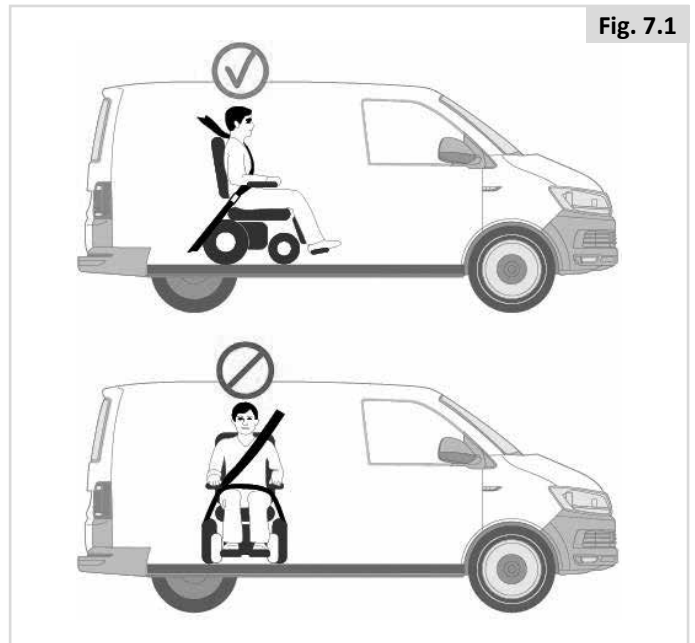
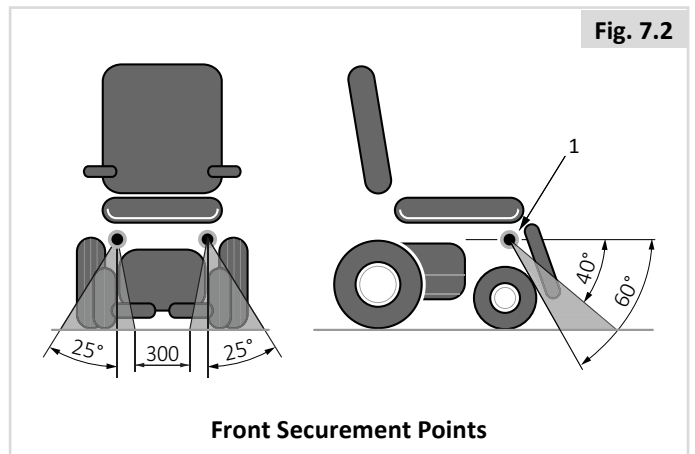
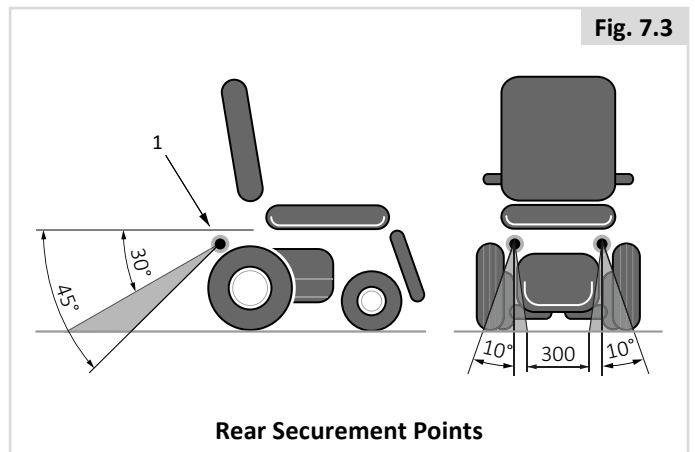


Fig. 7.2



Front Securement Points

Fig. 7.3



Rear Securement Points

⚠ DANGER!

- The wheelchair can only be secured by using the tie-down points on the wheelchair's frame (Fig. 7.5).
- The tie-down points (2 in the front, 2 in the back) are indicated by the tie-down symbol (Fig. 7.4). Fit the front straps first, then the rear. Tension the straps to secure the wheelchair. The wheelchair may not be secured onto any accessories (wishbones, armrests, anti-tip brackets etc.).
- No changes or replacements must be made to the anchorage points/car fastenings on the wheelchair, or to constructional elements or parts of the frame without consulting the manufacturer.
- When the wheelchair is transported in a vehicle without occupant and no restraint system is available then the wheelchair should be properly stored and secured in the cargo area during travel.

Fig. 7.4

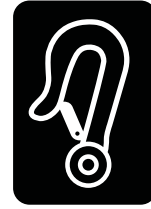
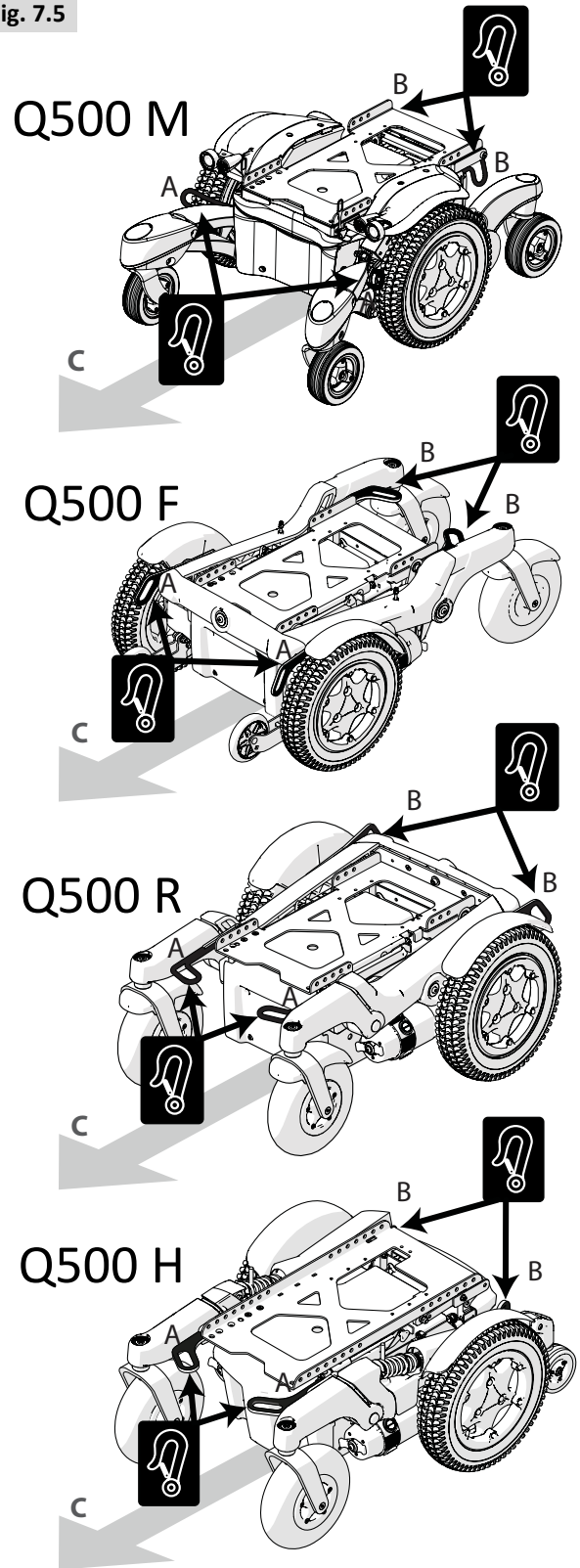


Fig. 7.5



- A** Front Tie Down Points.
- B** Rear Tie Down Points.
- C** Direction of Travel.

7.2 Using the Dahl Docking Systems (Mark II (#501750) & Variodock (#503600))

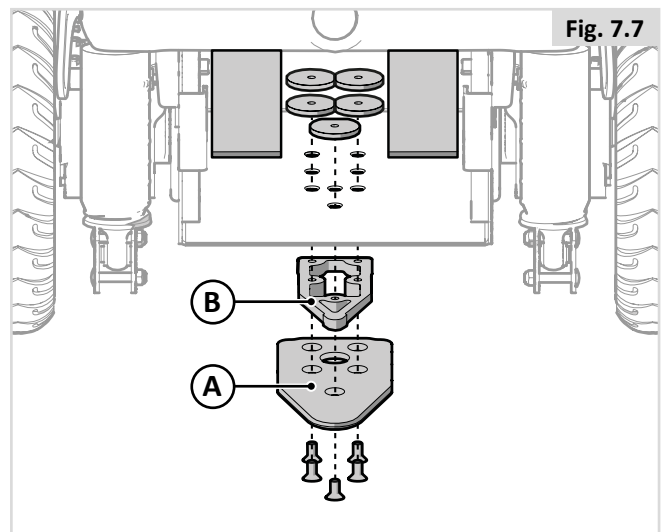
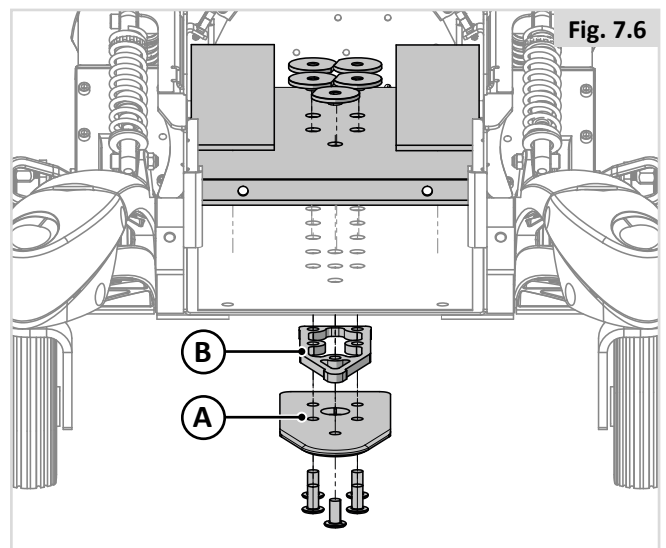
7.2.1 Mid Wheel Drive, Front Wheel Drive and Rear Wheel Drive Bases with Sedeo Pro & UP.



CAUTION!
The installation should only be performed by a qualified technician. Read all instructions carefully before proceeding with the installation.

To install Docking Plate use Dahl Adaption Kit #503439 for MWD, #503637 for RWD & FWD and #501798 for Hybrid models.

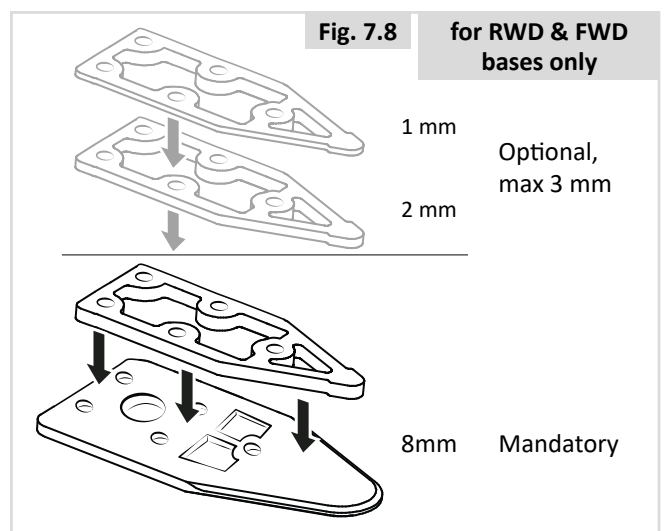
1. Fit the 8 mm spacer (B) onto the lock plate (A) (Fig. 7.6 for MWD, RWD & FWD, Fig. 7.7 for Hybrid base).



2. Use more spacers to achieve desired thickness with regards to, for instance, user weight and tyre pressure (Fig. 7.8).

Additional spacers can be mounted under the locking station. To align the height of the lock plate under wheelchair with the Mark II docking station fit spacers between the docking station and the vehicle floor to raise the docking station. The Dahl Variodock is power height adjustable indicating, thus additional spacers are not needed to align the height.

For MWD Base only the 2 x 8mm spacers are allowed to be installed. No additional spacers are allowed to be added.



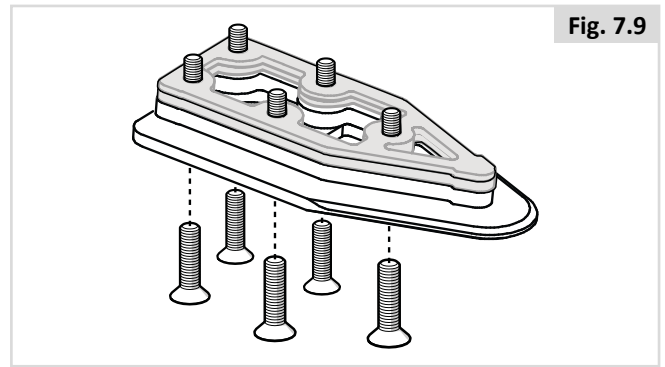
3. Put the five screws through the lock plate, the mandatory 8 mm spacer and the selected optional spacers (grey in picture) (Fig. 7.9).

WARNING!

Do not use any other screws than those supplied from Dahl engineering (Part #502800 (M8)). These are made from high quality steel. Standard screws will not be strong enough in the event of a collision.

CAUTION!

The installation should only be performed by a qualified technician. Read all instructions carefully before proceeding with the installation.



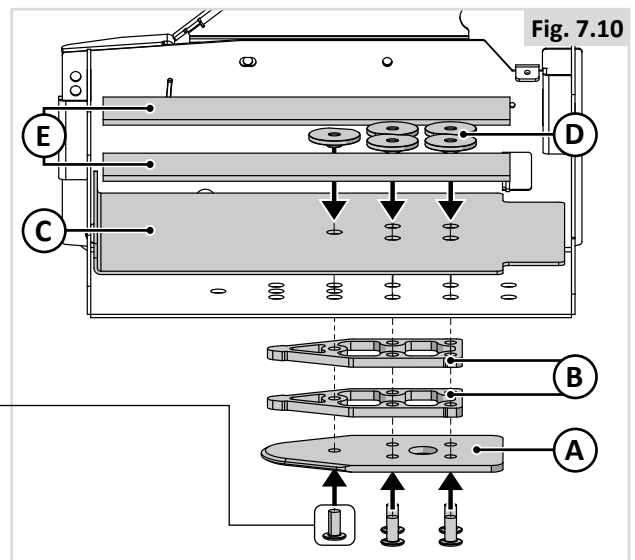
Fitting the stiffener plate

Required tools:

- Torx bit T27 (for all Bases)
- Torque wrench (16-18Nm)
- Angle grinder
- Marker

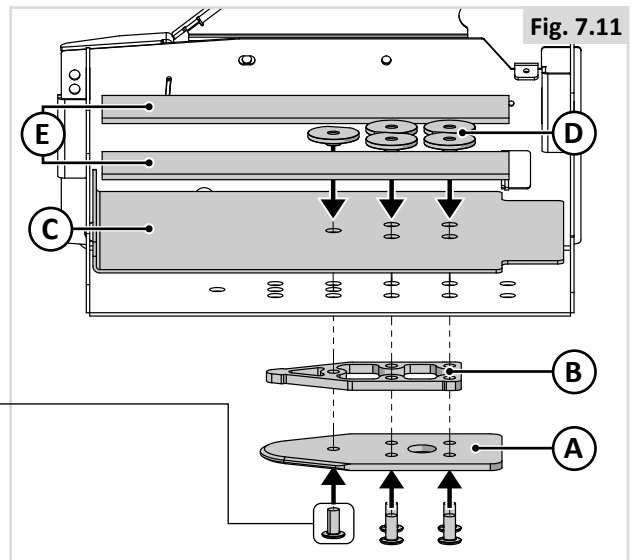
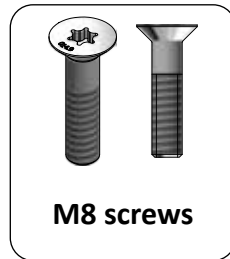
For Q500M Base (Dahl Docking Adaption Kit 503439)

Mount the five screws (M8) the lock plate (A) and the spacers (B) (on the underside of the chassis box), together with the stiffener plate (C), special nuts (D) and plastic spacers (E) (within the chassis box) (Fig. 7.10).



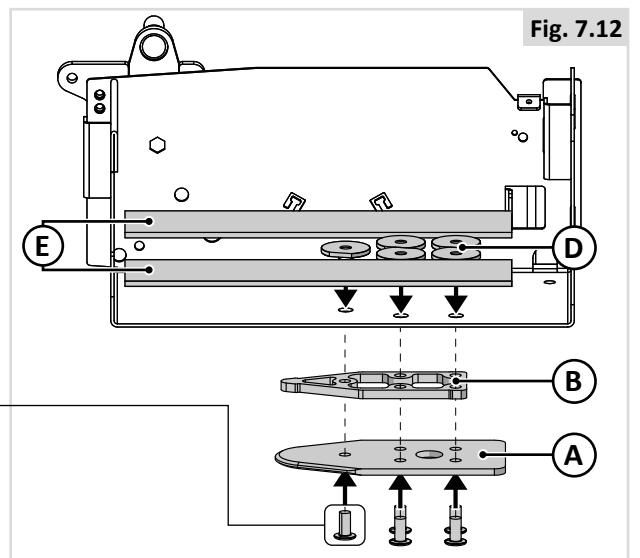
For Q500F and Q500R Bases (Dahl Docking Adaption Kit 503637)

Mount the five screws (M8) the lock plate (A) and the spacer (B) (on the underside of the chassis box), together with the stiffener plate (C), special nuts (D) and plastic spacers (E) (within the chassis box) (Fig. 7.11).

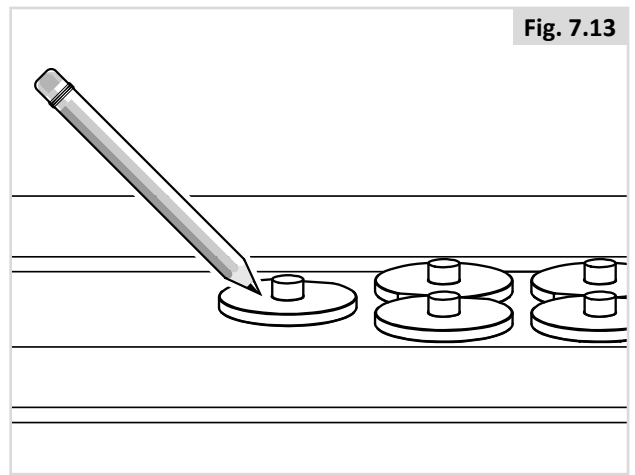


For Q500H Base (Dahl Docking Adaption Kit 501798)

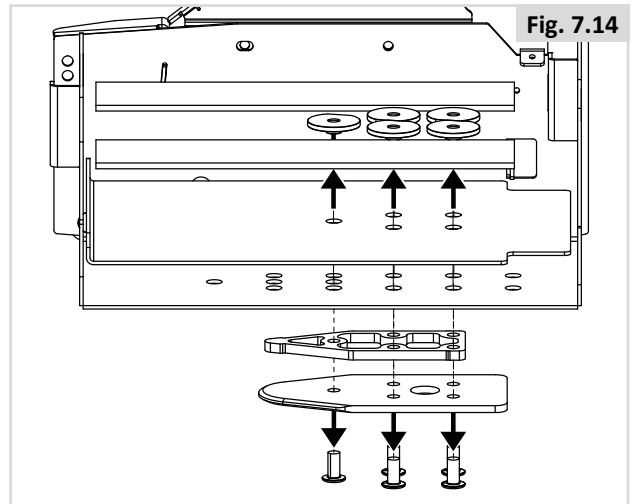
Mount the five screws (M8) the lock plate (A) and the spacer (B) (on the underside of the chassis box), together with the special nuts (D) and plastic spacers (E) (within the chassis box) (Fig. 7.12).



4. Mark where to cut the screws. (Fig. 7.13).

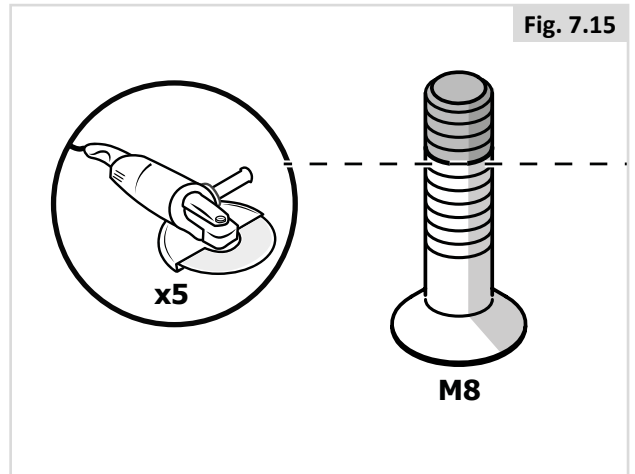


5. Remove the screws together with the spacer/spacers and lockplate (Fig. 7.14).

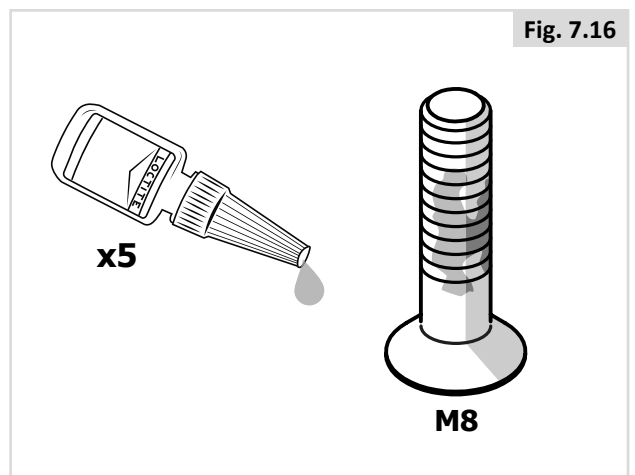


6. Cut the screw where the mark is (Fig. 7.15).

It is very important that the fitter checks that the length of the bolts are correct. If bolts are too short to reach through all the threads - they will not have the strength to carry the loads required. If bolts are too long the batteries or other wheel chair components can be damaged. If necessary replace with longer bolts, or shorten them.

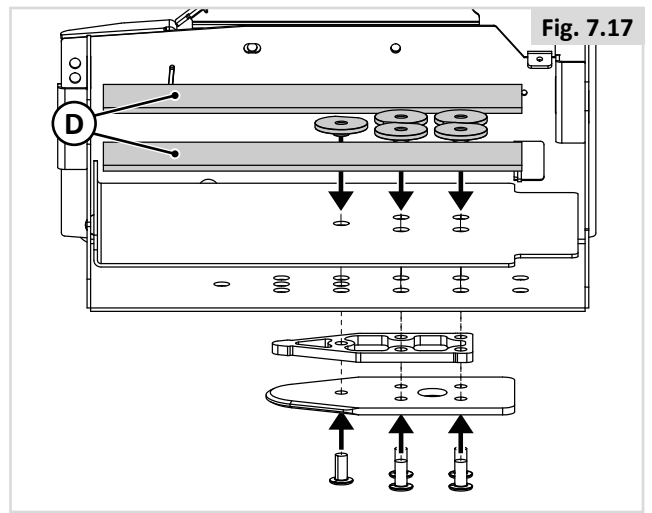


7. Apply Loctite 243 (or an equivalent product) onto the screw (Fig. 7.16).



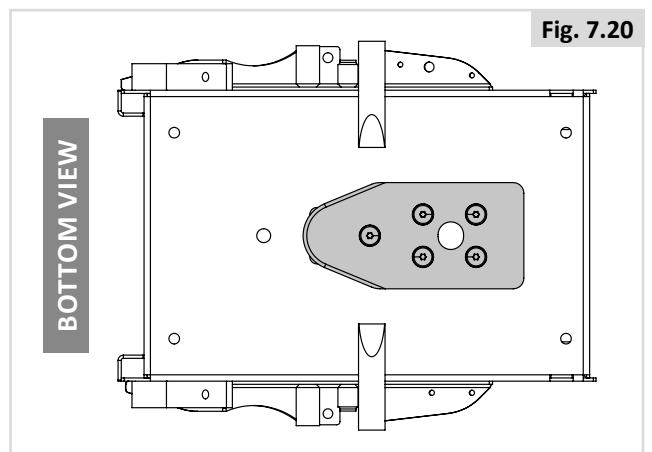
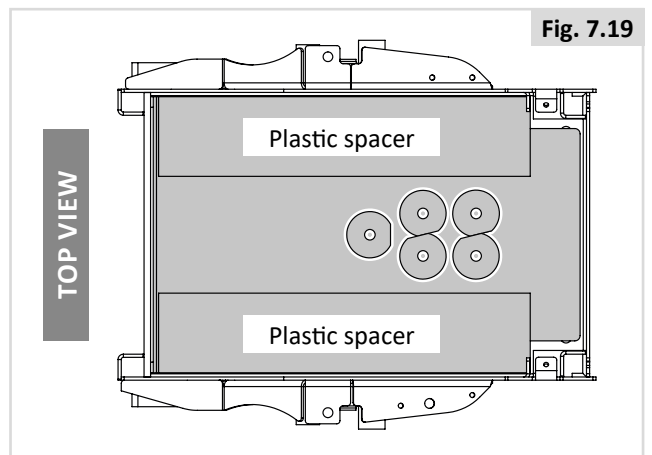
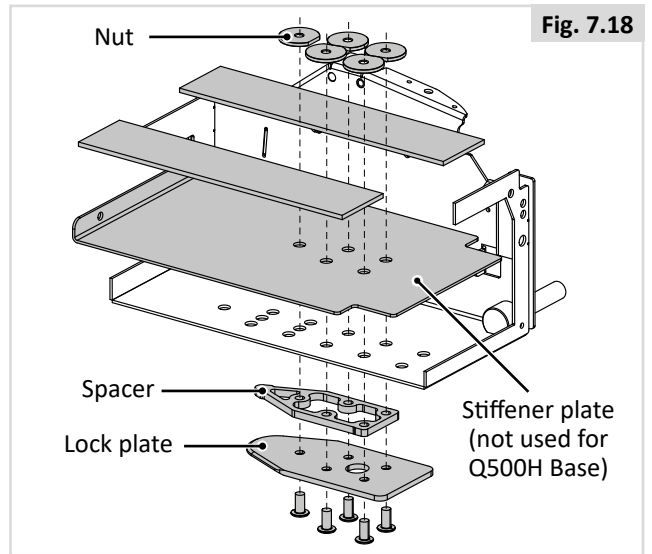
- Attach the five screws together with the spacer/spacers, lock plate and stiffener plate (Tightening torque: 16-18 Nm/13.3 lb.ft). Then add plastic spacers (D) to prevent the batteries from coming into contact with the nuts (Fig. 7.17).

Please refer to Section 6.6 of this manual for reverse the procedure to replace batteries.



Fitting the Dahl lock plate - end result (Fig. 7.18-7.20)

Q500H will differ from the images shown (no Stiffener Plate).



Sticker identifying wheelchairs with Dahl Docking locking plate installed (Fig. 7.21)

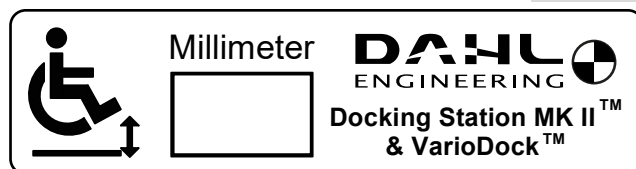
Fig. 7.21

The value noted on the sticker expresses the wheelchair's ground clearance (minus 1-2 mm). For the power height adjustable VarioDock™ this is the height that the display must be set to. For the MK II this is the final height that the docking unit must be installed at. Failure to set/install the docking unit to the correct height might impede the locking plate from sliding smoothly into the docking unit or prevent the Docking station and wheelchair from connecting altogether.

The installer of the locking plate must measure the ground clearance after installation with the user seated in the wheelchair and note the final height on the sticker. Make sure that the wheels are inflated to the correct tire pressure.

Attach the sticker to a location that is readily visible to a driver or an assistant.

Please also refer to the Dahl Docking Station Mk II and VarioDock user and installation instructions for further details.



Final checks for DAHL Docking system

Mark II (Fig. 7.22)

Perform final check by connecting the wheelchair to the docking station. Check that it is securely locked and make sure that all release methods work as intended.

A warning tone will sound if the lock plate is not properly engaged.

1. Release button.
2. Manual operating lever.
3. Emergency release.
4. Red LED.
5. Green LED.
6. Lock Plate.
7. Lock Pin.

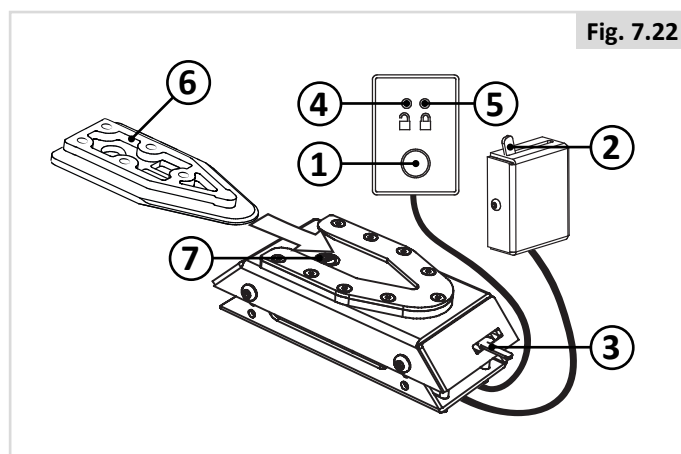


Fig. 7.22

VarioDock (Fig. 7.23)

Description of how the Dahl VarioDock™ functions

1. Dahl VarioDock™
2. Lock plate and spacer
3. Lock pin
4. Manual emergency release lever
5. Control panel
 - 5.1 Adjust upwards (yellow button)
 - 5.2 Adjust downwards (green button)
 - 5.3 Release button (red button)
 - 5.4 Pull down to remove slack (blue button)
 - 5.5 Current measurement display
 - 5.6 Red indicator LED (wheelchair NOT secured, can be removed from docking station)
 - 5.7 Green indicator LED (wheelchair IS secured)
 - 5.8 Illuminated when maintenance required
6. Control module

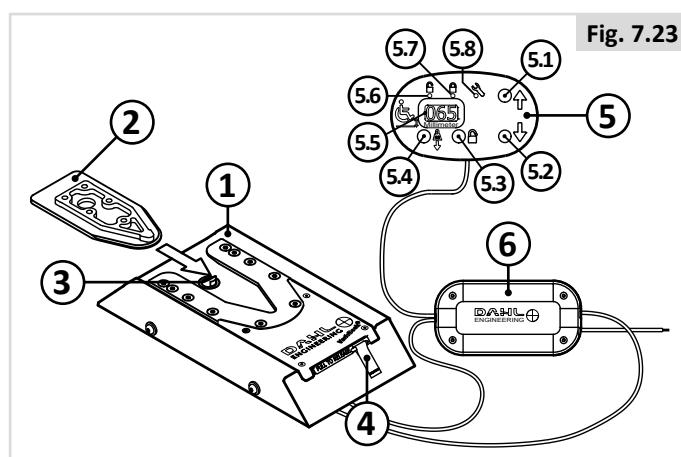


Fig. 7.23

The Dahl VarioDock™ (1.) is designed to retain manual and electric wheelchairs, as well as Dahl's seat bases in the vehicle's floor. A control module (6.) controls and monitors Dahl VarioDock™'s features, distributes power to the various components, as well as receiving and sending signals to and from the control panel. Wires are included. Do not carry out any modifications to the supplied wiring or other components. A lock plate and an 8mm spacer (2.) must be fitted under the wheelchair. When the wheelchair is manoeuvred towards the VarioDock™, the wheelchair is guided into place by means of the lock plate.

When the lock plate is fully engaged in the VarioDock, a spring-loaded lock pin (3.) automatically secures the lock plate. VarioDock™ is equipped with a built-in control switch that indicates whether the lock plate is correctly secured in the VarioDock™.

As soon as the lock plate comes into contact with the locking pin, a warning tone will sound (a high-pitched alarm sound), and the red LED (5.6.) in the control panel will light up until the lock plate is either fully engaged or else the wheelchair is removed from the VarioDock™. With the wheelchair correctly secured, the warning tone stops and the green LED (5.7.) in the control panel will light up to indicate, that the wheelchair is properly secured. The control panel (5.) (see descriptions of control panel's functions on page 32) is connected to an electromagnet which triggers/releases the lock pin for approx. 5 or 8 seconds, after which it is automatically locked once more.

In case of an electrical fault, there is a manual emergency release (4.) on the front edge of the VarioDock. The red piece of webbing on the release arm should be pulled sideways and held in order to release the wheelchair. You can also use the emergency release tool, which is delivered with the VarioDock™.

Securing the wheelchair in the docking station:

Make sure that the leg rests are not colliding with the ramp or the docking station when entering the vehicle.

1. Manoeuvre the wheelchair slowly and in a uniform direction over the docking station. The lock plate under the wheelchair helps to guide the wheelchair into place in the docking station. When the lock plate is fully engaged in the docking station, a spring-action locking pin automatically secures the lock plate.
2. The docking station is equipped with a control switch that indicates whether the lock plate is correctly secured in the docking station. As soon as the lock plate comes into contact with the locking pin, a warning tone will sound (a high-pitched howl), and the red diode/lamp (LED) in the control panel will light up until the lock plate is either fully engaged or else the wheelchair is removed from the docking station.
3. As an indication that the wheelchair is properly secured, the warning tone will cease, the red diode in the control panel will go out and the green diode lamp (LED) will light up.
4. Do not forget to buckle up for driving.

Release from the docking station

1. When the vehicle has been brought to a halt, remove the safety belt.
2. To unlock commence by driving the wheelchair forward to release pressure on the lock pin and then press the red release button in the control panel. The locking pin will be triggered/released for approx. 5 seconds, after which the locking pin is automatically locked/activated again. Do not attempt to reverse out of the docking station until the red LED on the control module, which indicates the unlock position, has been illuminated.
WARNING! Attempting to reverse the wheelchair before the red LED has been illuminated will result in blocking the docking stations lock mechanism, which makes it impossible to reverse. If this happens repeat above unlocking procedure.
3. Move the wheelchair away from the docking station within this 5-second period.

Manual release in case of electrical failure

1. In the event of electrical failure, a manual emergency release is located at the front edge of the docking station. Move wheelchair forward to release pressure on the lock pin and push the red release arm to one side and hold it there while the wheelchair reverses out of the docking station.
2. A cable-activated manual operating lever can also be fitted (accessory). The red release arm must pushed to one side and should be held there whilst the wheelchair moves away.
3. If the described manual release procedures fails, an emergency release tool made from red plastic comes with each docking station.

Move wheelchair forward to release pressure on the lock pin and place the emergency release tool in the gap between the locking plate and the docking station. Push the release tool forward until the locking pin will has been forced down - after which the wheelchair can be reversed out of the docking station.

Please also refer to Dahl Engineering instructions for Installation, Use and Maintenance

7.3 The wheelchair as a passenger seat

A wheelchair secured in a vehicle will not provide the equivalent level of safety and security as a vehicle seating system. Sunrise Medical recommends that the user transfers to the vehicle seating and uses the vehicle-installed restraint system wherever possible. Sunrise Medical recognizes that it is not always practical for the user to be transferred and in these circumstances, where the user must be transported whilst in the wheelchair, the following advice must be followed:

⚠ DANGER!

- The safety of the user during transportation depends upon the diligence of the person securing the tie down restraints and they should have received appropriate instructions and/or training in their use.
- Wherever possible remove and stow safely away from the wheelchair all auxiliary equipment, e.g. : crutches, loose cushions, tray tables, etc.
 - i. Removed and secured separately in the vehicle, or
 - ii. Secured to the wheelchair, but with energy-absorbing padding placed between the table and the user.
- Articulating/elevating leg rest should not be used in the elevated position when the wheelchair and user are being transported.
- If applicable: Reclining backrests should be returned to an upright position.
- If applicable: Seat elevators should be in the lowest position.
- If applicable: The manual brakes must be firmly applied.

Occupant restraint Instruction

⚠ DANGER!

- Use a 3-point occupant restraint system to secure the occupant.
- Both pelvic and upper torso restraint belts must be used to restrain the occupant to reduce the possibility of head and chest impacts with the vehicle components.
- Restraints should be mounted to the appropriate vehicle pillar and should not be held away from the body by wheelchair components such as armrest or wheels (Fig. 7.24).
- Use a suitable positioned headrest when being transported in a wheelchair.
- Any wheelchair anchored occupant restraint i.e. 3-point belt, harness or postural supports (lap straps, lap belts) should not be used or relied on for occupant restraint in a moving vehicle, regardless if labeled ISO 7176-19, ISO 10542-1, SAE J2249 or any other. Use a vehicle anchored and certified occupant restraint system instead.

Positioning the occupant restraint

⚠ DANGER!

- Belt restraints should make full contact with the shoulder, chest and pelvis and pelvic belts should be positioned low on the pelvis near the thigh-abdominal junction (meeting the requirements specified in ISO 7176-19:2008).
- The pelvic restraint belt must be worn low across the front of the pelvis so that the angle of the pelvic belt is within the preferred zone of 30° to 75° to the horizontal.
- A steeper (greater) angle within the preferred zone is desirable i.e. closer to, but never exceeding 75° degrees (Fig. 7.25).
 - i. The upper torso restraint belt must fit over the shoulder and across the chest as illustrated (Fig. 7.25). Restraint belts must be adjusted as tightly as possible consistent with user comfort.
- Restraint belt webbing must not be twisted when in use.
- Care should be taken when applying the occupant restraint to position the seatbelt buckle so that the release button will not be contacted by wheelchair components during a crash.

Fig. 7.24

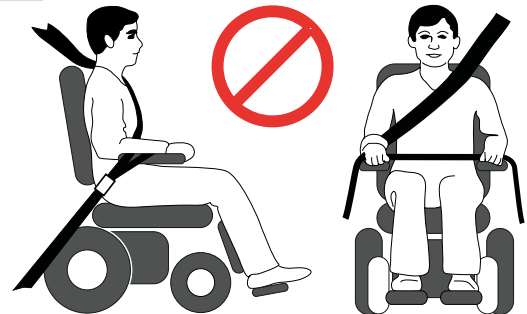
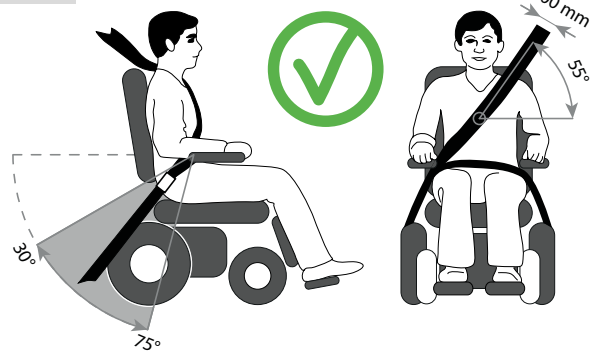


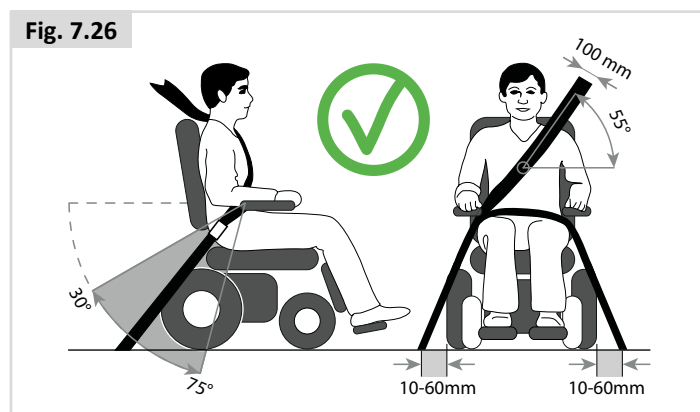
Fig. 7.25



Passenger with a user weight < 22 kg.

When the user being transported is a child, less than 22 kg mass and the vehicle involved has less than eight (8) seated passengers it is recommended that they be transferred to an UNCE Regulation 44 compliant child restraint system (CRS). This type of restraint system provides a more effective occupant restraint system than the conventional 3 point occupant restraint system and some CRS systems also include additional postural supports to assist in maintaining the position of the child when seated.

Parents or care providers may consider the option, in some circumstances, for their child to remain in their wheelchair whilst in transport due to the level of posture control and comfort provided by the set up in the wheelchair. We would recommend in such circumstances that a risk assessment be carried out by your healthcare professional and relevant competent persons.



For use with Dahl Docking system only (Fig. 7.26)

When using wheelchair with Dahl Docking system, the floor anchorage points for occupant restraint should be located 10-60 mm outside wheels, on each side.

7.4 Special transport requirements

Using your wheelchair on the train.

Before you travel, please contact the train operator. They will be able to supply details of any special requirements/ instructions. We advise you to check the following:

- Is there a suitable and intended “wheelchair” area in the train for wheelchair users (with adequate turning space to manoeuvre)?
- Is there a suitable or designated area on the platform for wheelchair users (with adequate turning space to manoeuvre)?
- Is there suitable boarding access available to allow you to access the railway carriage and the intended “wheelchair” area?
- Is the boarding access suitable for the combined mass of the wheelchair and the occupant?
- Make sure the slope of the boarding access is not greater than the dynamic safe slope. (See Section 10)
- Any obstacles or thresholds should not exceed the max kerb climbing capability of your wheelchair. (See Section 10)






Most train operators will provide assistance provided that arrangements have been made in advance. We suggest you have your Owner’s Manual ready when planning your journey and contacted them.

WARNING!

- While driving on a boat or train, make sure that you use driving Profile 1, as this is the standard profile where the GYRO is deactivated. The continuous movement of a boat or train, disrupts the GYRO system and the driving characteristics of your wheelchair.

Transporting the wheelchair as luggage.

Parts of the wheelchair that can easily be detached should be removed when transporting the wheelchair. Store these parts securely. e.g.:

- A. Remove the seat ( Seating system).
 - B. Remove the leg rests ( Seating system).
 - C. Remove the armrests ( Seating system).
 - D. Fold down the backrest ( Seating system).
- Ensure that any detachable parts are secured with your mobility aid or separately packed and labelled so they do not get lost during loading and unloading.
 - The wheelchair may be transported by road, rail, sea or air as the batteries supplied conform to IATA regulations. If the batteries are replaced by non-IATA approved batteries then they will need to be removed for air travel. Your dealer can assist in supplying batteries that are IATA approved.
 - Before you travel, please contact the appropriate carrier. The travel operator will be able to supply details of any special requirements/instructions.
 - For information about dimensions and weight of the wheelchair, see (Section 10).
 - For information about the batteries in your wheelchair see (Section 6).
 - Ensure that any detachable parts are secured with your mobility aid or separately packed and labelled so they do not get lost during loading and unloading.
 - Take this user manual, the seating system user manual (& Seating System) and the controller user manual (& Controller) with you. The carrier will need to refer to the following sections:
 - i. Pushing the wheelchair, (Section 5.8).
 - ii. How to lock/unlock the controller:  Controller.
 - iii. How to disconnect the batteries, (Section 6.7)
 - iv. How to disconnect the drive, (Section 5.8)
 - Transporting the chair, (Section 7.0).
 - Medium to long term storage, follow the instructions, (Section 8.5).

7.5 General transport warnings



WARNING!

- No changes or replacements must be made to the anchorage points/car fastenings on the wheelchair, or to constructional elements or parts of the frame without consulting Sunrise Medical.
- The wheelchair should be inspected by a Sunrise Medical authorised dealer/service agent, before reuse following involvement in any type of vehicle collision.

8.0 Maintenance & cleaning

The wheelchair's lifespan is dependent on it being well maintained.

For information concerning specific settings, maintenance or repair work, please contact your authorized Sunrise dealer. Always be sure to mention the model, year of manufacture and identification number provided on the identification plate of the wheelchair when contacting your dealer.

CAUTION!

The wheelchair should be serviced by your authorized Sunrise dealer once a year or, in the case of intensive use, every six months. For a list of approved authorised dealers in your area please contact Sunrise Medical Service Centre.

The contact details of your local Sunrise medical service centre can be found on the inside front cover of this booklet.

National and International Website addresses are on the back cover.

8.1 Maintenance

WARNING!

- Loose fasteners should be re-tightened according to the installation instructions. Please refer (unless otherwise specified) to the general table below for needed Torques.

Torque Setting Guide	
M4	3.0 Nm
M5	5.9 Nm
M6	10 Nm
M8	25 Nm
M10	48 Nm
M12	84 Nm

Note: it will be necessary to use a torque wrench.

- Chest straps should be replaced at the first indication of damage and/or excessive wear.
- If a broken or loose component is found, discontinue use immediately and contact your authorised Sunrise Medical supplier for replacement.
- Check all Velcro fastening straps for correct adhesion when pressed together.
- Ensure that any contamination, such as fluff, hair, etc is removed from the Velcro straps. Such contamination may affect adhesion.

WARNING!

- If you are in any doubt about the performance requirements of your wheelchair contact your Sunrise Medical authorised dealer.
- After performing any maintenance or repairs on the wheelchair you must make sure that it is functioning correctly before it is used.
- All fasteners must be replaced like for like using the correct length, tensile strength and materials.
- When replacing self-locking nuts, or nuts/studs secured with a thread locking solution, ensure that a suitable thread locking solution is reapplied to the fastener.

Daily checks

Perform the daily check routine before driving as described in chapter 5.1

Weekly checks

Perform the weekly check routine before driving as described below.

Checking Parking brake:

This test should be carried out on a level floor with at least one meter clearance all around the chair.

- Switch on the control system.
- Check that the battery gauge remains on, or flashes slowly, after one second.
- Push the joystick slowly forwards until you hear the parking brakes operate.
- The chair may start to move.
- Immediately release the joystick. You must be able to hear each parking brake operate, (click), within a few seconds.
- Repeat the test a further 3 times, pushing the joystick slowly backwards, left and right.

Checking connectors & cables:

- Make sure that all connectors are securely mated.
- Check the condition of all cables and connectors for damage.

Checking controller:

- Check the thin rubber gaiter or boot around the base of the joystick shaft for damage or splitting. Check visually only, do not handle the gaiter.
- Make sure that all components of the control system are securely mounted. Do not over-tighten any securing screws.

Checking controls:

- Switch on the hand control – Do the lights flash? This signifies that there is a fault in the electronic system. Refer to chapter 9 for basic troubleshooting
- Operate all of the electric options, including lights and indicators, (if fitted), to make sure that they work correctly.
- With the seating in an elevated position, drive the wheelchair to make sure that the 'creep' mode works which will slow the wheelchair.
- Drive the wheelchair in each of the drive profiles to make sure the wheelchair performs as it did before.

WARNING!

- If you are in any doubt about the performance requirements of your wheelchair contact your Sunrise Medical authorised dealer.
- After performing any maintenance or repairs on the wheelchair you must make sure that it is functioning correctly before it is used.
- A complete inspection, safety check and service should be made by a Sunrise Medical authorised dealer at least once per year.
- All fasteners must be replaced like for like using the correct length, tensile strength and materials.
- When replacing self-locking nuts, or nuts/studs secured with a thread locking solution, ensure that a suitable thread locking solution is reapplied to the fastener.
- Check all Velcro fastening straps for correct adhesion when pressed together.
- Ensure that any contamination, such as fluff, hair, etc is removed from the Velcro straps. Such contamination may affect adhesion.

Monthly checks

Perform the monthly check routine before driving as described below.

- All fasteners should be checked monthly for wear, such as loose bolts or broken components.
- Check all straps monthly for fraying, ripped seams or other indications of excessive wear damage. Discontinue use if damage is found.

8.2 Tyre maintenance and pressures

8.2.1 Tyre pressure

CAUTION!

If pneumatic tyres are fitted to your wheelchair it is important to regularly check the air pressure and for signs of wear. The maximum tyre pressures are listed in Section 8.3, if in doubt check the markings on the side of the wheelchair tyre for guidance.

NOTE: It is important that drive wheels are inflated to equal pressures as a pair, and likewise the rear. The inflator pump provides the safest method of inflating your wheelchair tyres and the pressure can be checked with a standard motor vehicle pressure gauge.

DANGER!

- Do not inflate beyond the maximum allowed tyre pressure.

8.2.2 Tyre wear

When inspecting the tyres for signs of wear, look for significant scuff marks, cuts and a diminished tyre tread. Tyres will need to be changed when the tread cannot be seen over the complete surface of the tyre, (Fig.8.1).



8.2.3 Drive wheel tyre repair

To remove the wheel/tyre:

WARNING!

Make sure that the wheelchair controller is turned off before commencing this procedure.

Please refer to images (Fig. 8.2 - 8.10).

- Remove the colour ring.
- Use a 16 mm AF stud bolt socket to loosen the 3 lug nuts (Fig. 8.2).
- Jack the base/battery box up and support it using blocks, (Fig. 8.3).
- Remove the 3 studs and pull the wheel away from the hub.
- Remove the valve cap and let the air out of the tyre by gently pressing the valve stem with a small screw driver, (Fig. 8.4).
- There are 6 rim studs that must be loosened/tightened in the number order shown, (Fig.8.5).
- Use a 5.0 mm Allen key to release/tighten the studs. (Fig. 8.5).
- Lift the inner rim off the tyre wall (Fig. 8.6).
- Lift the tyre and tube off the outer rim, (Fig.8.7).
- Gently get a hold of the inner tube just behind the valve.
- Carefully feed the tube out of the tyre, (Fig.8.8).
- Ensure all parts are clean before reassembling, (Fig.8.9).

To refit

- Place the tube inside the tyre and rest the tyre on the outer rim.
- Align the valve stem with the cut out in the rim.
- Face the valve stem outward.
- Place the inner rim over the tyre, tube and outer rim.
- Align the cut out to fit over the valve stem and match it up to the cut out in the outer rim, (Fig.8.10).
- Make sure the stud mounts are in line on both rims.
- Tighten the studs in the sequence shown in Fig.8.5, taking care not to pinch the tube.
- Slowly inflate to the pressures quoted in section 8.1.1 .
- Refit the wheel back onto the motor shaft and fix it safely with the 3 studs to a torque of 34Nm.

For solid tyres the sequence is the same, just discount the references to the inner tube and valve.

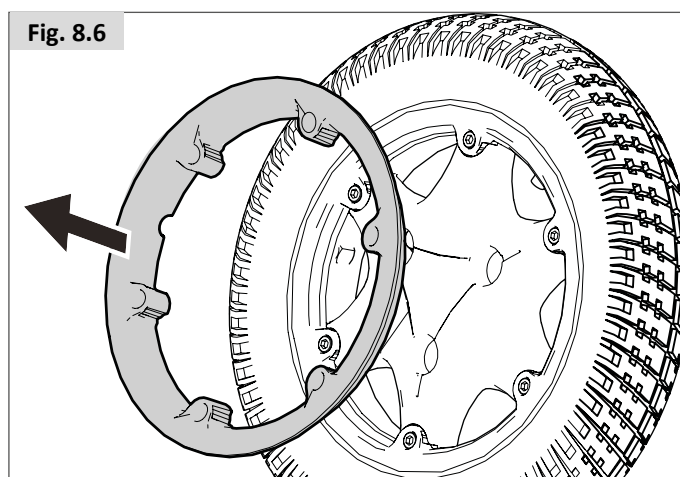
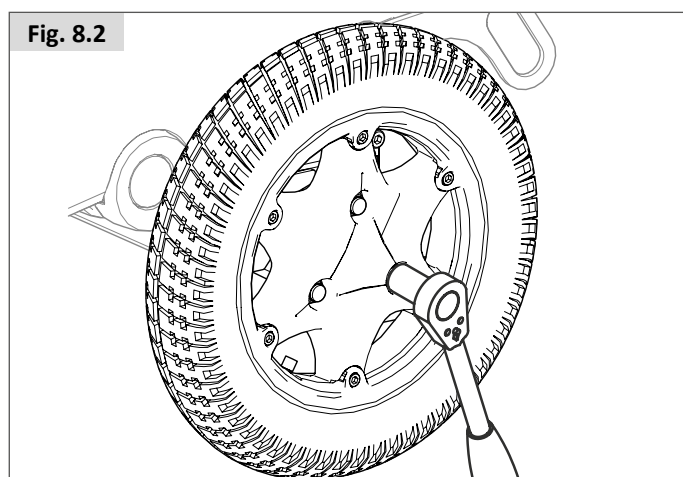
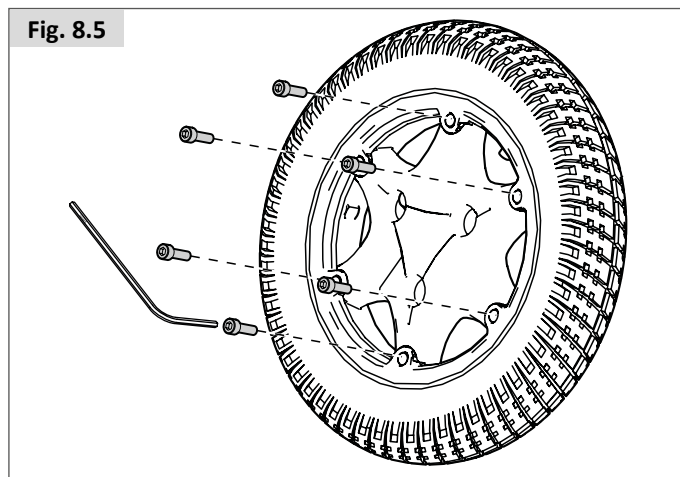
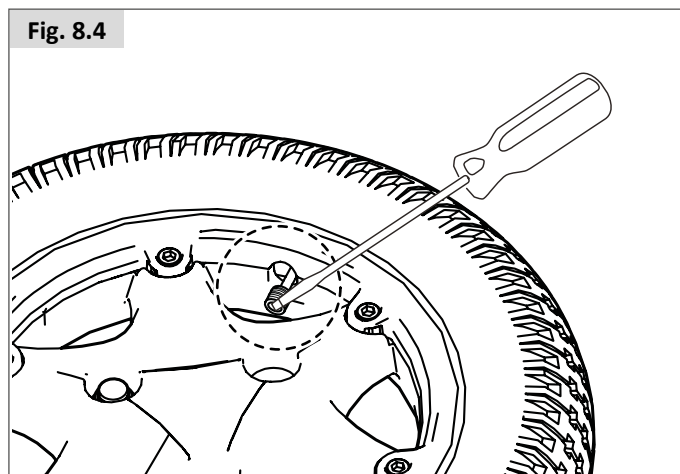
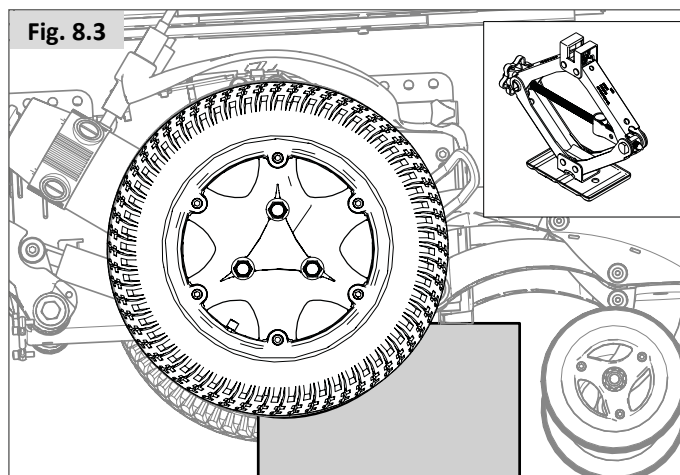


Fig. 8.7

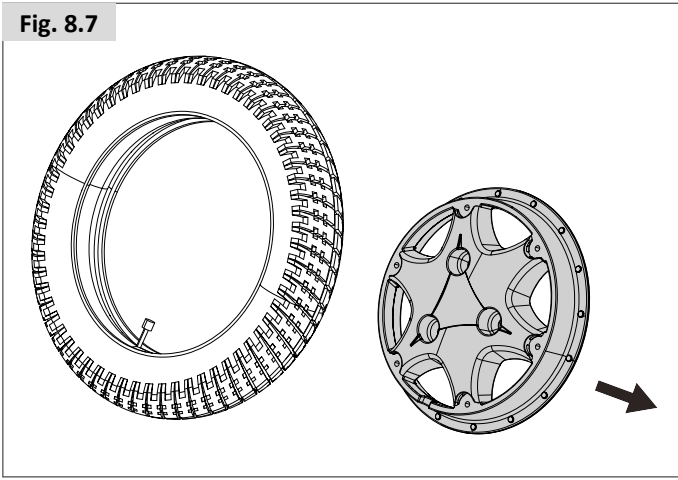


Fig. 8.8

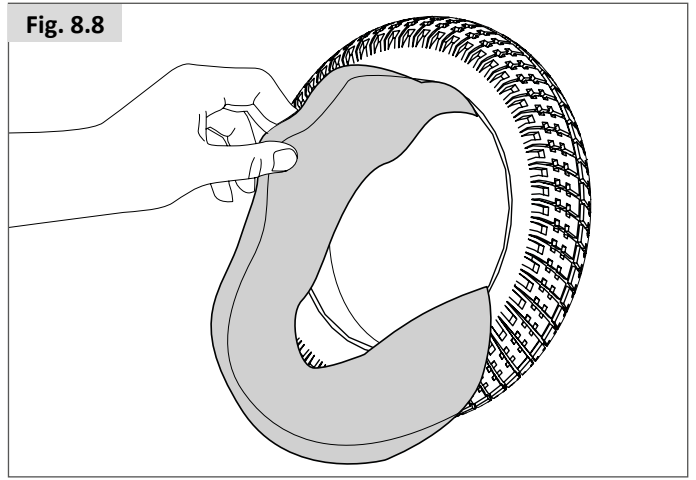


Fig. 8.9

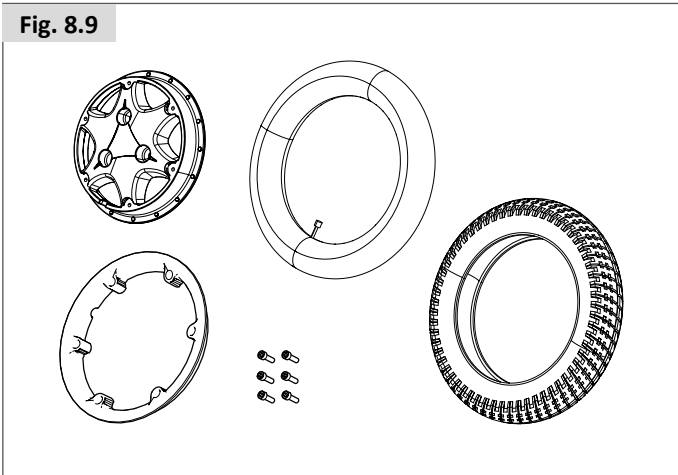
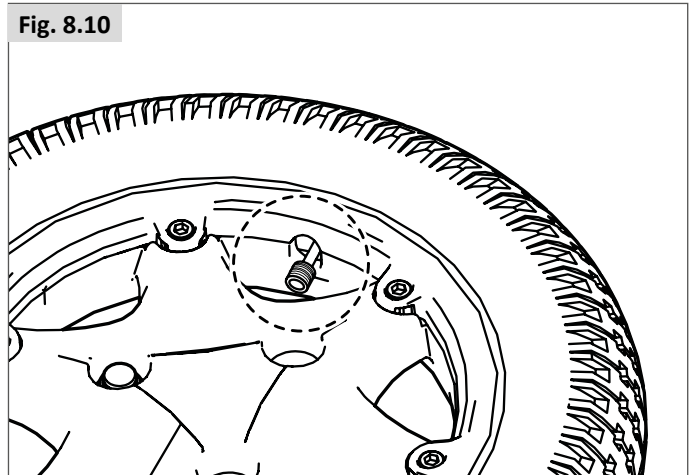


Fig. 8.10



8.2.4 Removing the castor wheels (M base) (Fig.8.11).

- Use a 17.0 mm spanner/socket to undo the axle bolt.
- Remove the nyloc nut.

Removing the castor wheels (F/R/H base) (Fig.8.12)

- Use a 13.0 mm wrench and 5 mm Allen key to undo loosen the screws.
- Remove both screws

Refitting:

When refitting do not try to force the bolt through. Gently move the wheel back and forth until the bolt slips through then tighten to a torque of 14Nm.

⚠ WARNING!

Always use a new nyloc nut when refitting.

Fig. 8.11

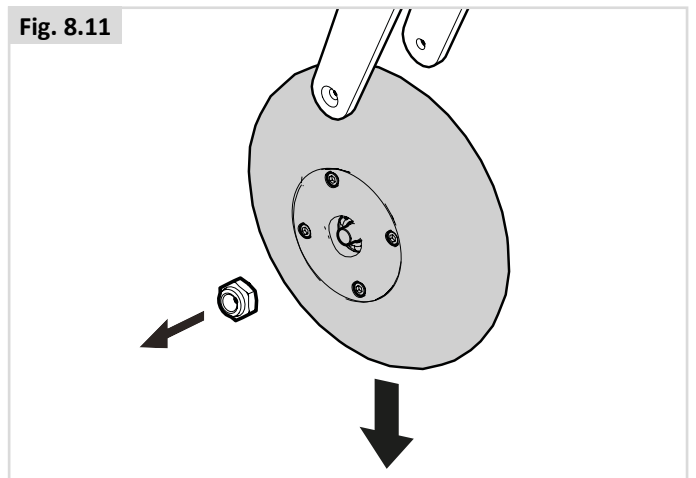
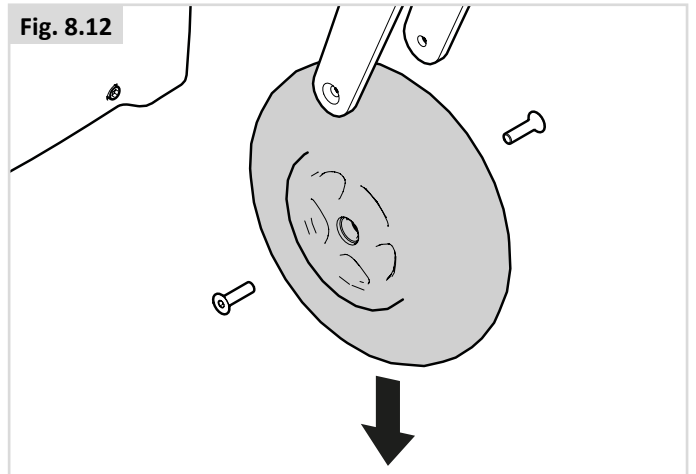



Fig. 8.12



Maintenance & Inspection Schedule	Daily*	Weekly	Monthly	Annually
Daily check routine as described in chapter 5.1	*			
Weekly check routine as described in chapter 8.1		*		
Clean wheelchair upholstery  Seating system		*		
Monthly check routine as described in chapter 8.1			*	
Complete inspection, safety check and service should be made by a Sunrise Medical authorised dealer.				*

8.3 Wheels & tyres maintenance

To ensure that your wheelchair functions properly, it is essential that the tires are kept at the correct pressure. The correct tyre pressure is indicated on the side of the tyre.

Tyres that are too soft will have a negative effect on the wheelchair's performance. Moving the wheelchair will require more energy, making more demands on the batteries. Furthermore, wear on under inflated tyres is increased

When inspecting the tyres for signs of wear, look for significant scuff marks, cuts and a diminished tyre tread. Tyres will need to be changed when the tread cannot be seen over the complete surface of the tyre.

Castor wheel		Max. tyre pressure	
6"	Q500 M	Solid wheels	
9" (2.80/2.50-4)	Q500 F Q500 R Q500 H	2.4 bar max.	35 PSI
10" (3.00-4)	Q500 F Q500 R	2.4 bar max.	35 PSI
Drive wheel		Max. tyre pressure	
13" (2.50-8)	Q500 M Q500 F Q500 R Q500 H	2.4 bar max.	35 PSI max.
14" (3.00-8)	Q500 F Q500 R Q500 H	3.5 bar max.	50 PSI max.
4"	Q500 H	Solid wheels (Rear Castor)	

DANGER!

- Do not inflate beyond the maximum allowed tyre pressure.
- Never use a forecourt pump
- Before tyres are repaired they must first be fully deflated!

8.4 Lighting maintenance:

DANGER!

Maintaining lights and indicators is a safety critical task. If your lights and indicator system shows a defect, please contact your Sunrise Medical Approved Dealer.

All lights and indicators are state of the art LED low energy, no maintenance units. There are no light bulbs used. The high intrinsic reliability of these units means that they are extremely unlikely to fail under normal usage. If a failure should occur, (may be as a result of an impact), the damaged light assembly must be replaced in its entirety. The individual LED's cannot be replaced.

CAUTION!

- We recommend the use of Sunrise Medical authorized spare parts only.
- Be advised that all lighting circuits are electronically protected. In the event of a short circuit current will be limited to a safe level. Once the fault is removed the system resets automatically.

8.5 Cleaning and disinfection

The wheelchair should be wiped over once per week with a slightly damp, not wet, cloth and any fluff or dust that has accumulated around the motors should be blown or dusted away.

CAUTION!

Make sure that you dry all parts of your wheelchair if it becomes wet or damp after cleaning or if it is used in a wet or damp atmosphere.

DANGER!

It is important that should the wheelchair be used by more than one person it is cleaned thoroughly to ensure there is no cross infection.

Hygiene measures when being re-used:

Prior to the wheelchair being re-used, it must be carefully prepared. All surfaces which come into contact with the user must be treated with a disinfection spray.

To do this, you must use a suitable disinfectant for rapid alcohol-based disinfection of medical products and medical devices. Please take into account the manufacturer's instructions for the disinfectant you are using.

In general, a complete disinfection cannot be guaranteed on seams. We therefore recommend that you dispose of seat and back slings to avoid micro-bacterial contamination with active agents according to your local infection protection law.

CAUTION!

- Do not use solvents, bleaches, abrasives, synthetic detergents, wax polishes or aerosols.
- Disinfectants may be used in dilution as specified by their manufacturer.
- Ensure surfaces are rinsed with clean water and dried thoroughly.

WARNING!

- Always read the label on any commercial or domestic cleaning substances.
- Always follow the instructions carefully.

Cleaning controls:  Controller

Should the control of your wheelchair become soiled or dirty, it can be wiped with a damp cloth with a dilute disinfectant until clean.

DANGER!

Important: If the wheelchair is to be used by more than one person, follow the cleaning and disinfection instructions carefully to ensure that there is no cross infection.

8.6 Medium to long term storage:

When storing your wheelchair for long periods of time (in excess of one week), follow these simple instructions:

- Fully charge the wheelchair for at least 24 hours.
- Disconnect the charger.
- Disconnect the batteries.

WARNING!

Never store your wheelchair:

- Outside.
- In direct sunlight, (plastic parts may discolour).
- Near a source of direct heat.
- In a damp environment.
- In a cold environment.
- With the batteries/battery boxes connected, (even if the controller is switched off).

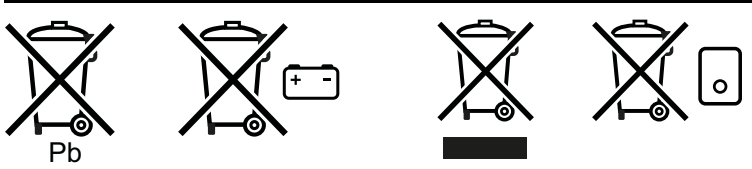
Avoiding all of the above will minimise battery deep cycle discharge and extend battery lifetime.

When returning the wheelchair to use, please reconnect the batteries/battery boxes and charge the wheelchair for at least 24 hours before use.

9.0 Disposal

The symbols below mean that in accordance with local laws and regulations your product should be disposed of separately from household waste. When this product reaches the end of its life, take it to the local collection point designated by local authorities. The separate collection and recycling of your product at the time of disposal will help conserve natural resources and ensure that it is recycled in a manner that protects the environment.

Ensure you are the legal owner of the product prior to arranging for the product disposal in accordance with the above recommendations and national requirements.



In the following section, there is a description of the materials used on the wheelchair, in view of the disposal or recycling of the wheelchair and its packaging.

There may also be special local regulations in force with regard to disposal or recycling, these must be taken into account when disposing of your wheelchair. (This can include the cleaning or decontamination of the wheelchair prior to disposal).

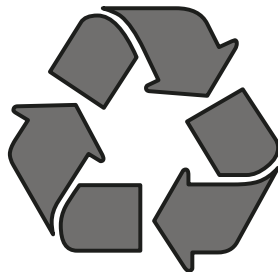
Aluminium: Castor forks, wheels, side-guards for the chassis.

Steel: Fixing points, quick-release axle

Plastic: Handles, tube stoppers, castors and wheel/tyre


Packaging: Plastic bags made of soft polyethylene, cardboard

Disposal or recycling should be done through a licensed agent or authorised place of disposal. Alternatively your wheelchair may be returned to your dealer for disposal.



10.0 Trouble shooting


If the wheelchair is not working as it should, check the following points.

- Check whether the batteries are charged.
- Turn the wheelchair off and then back on again.
- Check whether the battery plugs are all securely in place.
- Check whether the freewheel lever is in the DRIVE position
- Check the position of the speed regulator.
- Make sure that the controller isn't locked  Controller

If the problem has not been resolved:

-  Controller

11.0 Technical specifications: Applicable norms / standards

 This product complies with the regulations and guidelines for medical aids and carries a CE symbol. The product meets the requirements and standards below. These are checked by independent institutions.

Standard	Definition / description	Test Dummy Weight	
Medical Device Regulation (EU) 2017/745	Applicable as mentioned in Appendix 1		
EN 12182: 2012 Class B	Assistive products for persons with disability - General requirements and test methods	SEDEO Pro	SEDEO Lite
	Q500 M Q500 F Q500 R Q500 H	160 kg	136 kg
EN 12184: 2014 Class B	Electrically powered wheelchairs, scooters and their chargers - Requirements and test methods	SEDEO Pro	SEDEO Lite
	Q500 M Q500 F Q500 R Q500 H	160 kg	136 kg
ISO 7176-8: 2014	Requirements and test methods for impact, static and fatigue strengths	N/A	N/A
ISO 7176-9: 2009	Climate tests for electric wheelchairs	N/A	N/A
ISO 7176-14: 2008	Requirements and test methods for control systems for electric wheelchairs	N/A	N/A
ISO 7176-16: 2012	Requirements for resistance to ignition of upholstered parts	N/A	N/A
ISO 7176-19: 2008	Wheelchairs - Part 19: Wheeled mobility devices for use as seats in motor vehicles: The Q-series meet the crash test requirements as described in ISO 7176-19	SEDEO Pro	SEDEO Lite
	Q500 M Q500 F Q500 R Q500 H	104 kg	75 kg

Model	Q500 series	
Type / configuration Mid wheel drive	Q500 M	
Maximum user weight		
In combination with Sedeo Lite	136 kg	300 lbs.
In combination with Sedeo Pro	160 kg	350 lbs.
EN12184 class:	B	

Description	Metric system values		Imperial system values & alternative	
	Minimum	Maximum	Minimum	Maximum
Total length (including legrests) Mid wheel drive				
Q500 M Sedeo Lite Central footplate	1100 mm	1130 mm	43.3"	51.2"
Q500 M Sedeo Pro Swingaway hangers	1280 mm	1280 mm	50.4"	50.4"
Total width				
Q500 M 13" Drive wheels	610 mm	620 mm	24.0"	24.4"
Q500 M 14" Drive wheels	635 mm		25.0"	
Total weight Basic configuration, with batteries				
Q500 M Sedeo Lite	130 kg	138 kg	286.6 lbs.	304.2 lbs.
Q500 M Sedeo Pro	130 kg	138 kg	286.6 lbs.	304.2 lbs.
Total weight influencers Batteries				
50 Ah AGM (C20) (Set of 2)	27 kg		+ 59.5 lbs.	
60 Ah GEL (C20) (Set of 2)	43 kg		+ 94.8 lbs.	
80 Ah GEL (C20) (Set of 2)	50.2 kg		+ 110.7 lbs.	
Transport weight of the heaviest part	24.2 kg		53.3 lbs.	
Dynamic stability: Rated slope				
Q500 M Mid wheel drive	6°		10.5 %	
Min. braking distance at maximum speed Q500 M	3400 mm		133.9"	
Static stability				
Q500 M Sedeo Lite Downwards / Upwards / Sideways	9°/9°/9°	13°/15°/13°	15.8%/15.8%/15.8%	23%/26%/23%
Q500 M Sedeo Pro Downwards / Upwards / Sideways	9°/9°/9°	13°/15°/13°	15.8%/15.8%/15.8%	23%/26%/23%
Range of action <i>NB: The following aspects have a negative influence on the range of action: Obstacles, rugged terrain, driving on slopes, exposure to temperatures below freezing point and frequent use of powered seat options.</i>				
6 kph 80 Ah batteries Q500 M	32.5 km	40.0 km	20.2 miles	24.9 miles
8 kph 80 Ah batteries Q500 M	30.0 km	37.5 km	18.6 miles	23.3 miles
10 kph 80 Ah batteries Q500 M	27.5 km	35.0 km	17.1 miles	21.7 miles
12.5 kph 80 Ah batteries Q500 M	25.0 km	32.5 km	15.5 miles	20.2 miles
Climbing capability for obstacles				
Q500 M Mid wheel drive	50 mm		2.0"	
Max speed forward				
Q500 M Mid wheel drive	6 kph	12.5 kph	4 mph	7.7 mph
Turning radius				
Q500 M Mid wheel drive	560 mm	630 mm	22.0"	24.8"
Turning space / reversing width				
Q500 M Mid wheel drive	1100 mm		43.0"	
Ground clearance				
Q500 M Mid wheel drive	90 mm		3.5"	

Description	Metric system values		Imperial system values & alternative	
	Minimum	Maximum	Minimum	Maximum
Maximum battery dimensions (l x b x h)	260 x 172 x 210 mm		10.2 x 6.8 x 8.3"	
Battery capacity	50 Ah / 60 Ah / 80 Ah		50 Ah / 60 Ah / 80 Ah	
Maximum permissible charging voltage	24V		24V	
Maximum charging current	12 A (rms)		12 A (rms)	
Connector type	📖 Controller manual		📖 Controller manual	
Insulation	Class 2 double insulated		Class 2 double insulated	

Model	Q500 series	
Type / configuration Front wheel drive	Q500 F	
Maximum user weight		
In combination with Sedeo Lite	136 kg	300 lbs.
In combination with Sedeo Pro	160 kg	350 lbs.
EN12184 class:	B	

Description	Metric system values		Imperial system values & alternative	
	Minimum	Maximum	Minimum	Maximum
Total length (including legrests) Front wheel drive				
Q500 F Sedeo Lite Central footplate	1280 mm	1340 mm	50.4"	52.8"
Q500 F Sedeo Pro Central footplate	1280 mm	1340 mm	50.4"	52.8"
Total width Q500 F 13" Drive wheels	615 mm		24.2"	
Q500 F 14" Drive wheels	640 mm		25.2"	
Total weight Basic configuration, with batteries				
Q500 F Sedeo Lite	130 kg	135 kg	286.6 lbs.	297.6 lbs.
Q500 F Sedeo Pro + anti Shear	133 kg	138 kg	293 lbs.	304 lbs.
Total weight influencers Batteries				
50 Ah AGM (C20) (Set of 2)	27 kg		+ 59.5 lbs.	
60 Ah GEL (C20) (Set of 2)	43 kg		+ 94.8 lbs.	
80 Ah GEL (C20) (Set of 2)	48.4 kg		+ 106.7 lbs.	
Transport weight of the heaviest part	24.2 kg		53.4 lbs.	
Dynamic stability: Rated slope Q500 F Front wheel drive	6°		10.5 %	
Min. braking distance at maximum speed Q500 F	3400 mm		133.9"	
Static stability				
Q500 F Sedeo Lite Downwards / Upwards / Sideways	9°/9°/9°	15°/15°/12°	15.8%/15.8%/15.8%	26%/26%/21.2%
Q500 F Sedeo Pro Downwards / Upwards / Sideways	9°/9°/9°	15°/15°/12°	15.8%/15.8%/15.8%	26%/26%/21.2%
Range of action <i>NB: The following aspects have a negative influence on the range of action: Obstacles, rugged terrain, driving on slopes, exposure to temperatures below freezing point and frequent use of powered seat options.</i>				
6 kph 80 Ah batteries Q500 F	32.5 km	40.0 km	20.2 miles	24.9 miles
8 kph 80 Ah batteries Q500 F	30.0 km	37.5 km	18.6 miles	23.3 miles
10 kph 80 Ah batteries Q500 F	27.5 km	35.0 km	17.1 miles	21.7 miles
12.5 kph 80 Ah batteries Q500 F	25.0 km	32.5 km	15.5 miles	20.2 miles
Climbing capability for obstacles Q500 F Front wheel drive	70 mm		2.75"	
Max speed forward Q500 F Front wheel drive	6 kph	12.5 kph	4 mph	7.7 mph
Turning radius Q500 F Front wheel drive	735 mm		28.9"	
Turning space / reversing width Q500 F Front wheel drive	1240 mm		48.8"	
Ground clearance Q500 F Front wheel drive	60 mm		2.36"	

Description	Metric system values		Imperial system values & alternative	
	Minimum	Maximum	Minimum	Maximum
Maximum battery dimensions (l x b x h)	260 x 172 x 210 mm		10.2 x 6.8 x 8.3"	
Battery capacity	50 Ah / 60 Ah / 80 Ah		50 Ah / 60 Ah / 80 Ah	
Maximum permissible charging voltage	24V		24V	
Maximum charging current	12 A (rms)		12 A (rms)	
Connector type	📖 Controller manual		📖 Controller manual	
Insulation	Class 2 double insulated		Class 2 double insulated	

Model	Q500 series	
Type / configuration Rear wheel drive	Q500 R	
Maximum user weight		
In combination with Sedeo Lite	136 kg	300 lbs.
In combination with Sedeo Pro	160 kg	350 lbs.
EN12184 class:	B	

Description	Metric system values		Imperial system values & alternative	
	Minimum	Maximum	Minimum	Maximum
Total length (including legrests) Rear wheel drive				
Q500 R Sedeo Lite Central footplate	1290 mm	1370 mm	50.8"	53.9"
Q500 R Sedeo Pro Swingaway hangers	1110 mm	1180 mm	43.7"	46.4"
Total width				
Q500 R 13" Drive wheels	615 mm		24.2"	
Q500 R 14" Drive wheels	640 mm		25.2"	
Total weight				
Basic configuration, with batteries				
Q500 R Sedeo Lite	130 kg	135 kg	286.6 lbs.	297.6 lbs.
Q500 R Sedeo Pro + anti Shear	133 kg	138 kg	293 lbs.	304 lbs.
Total weight influencers				
Batteries				
50 Ah AGM (C20) (Set of 2)	27 kg		+ 59.5 lbs.	
60 Ah GEL (C20) (Set of 2)	43 kg		+ 94.8 lbs.	
80 Ah GEL (C20) (Set of 2)	48.4 kg		+ 106.7 lbs.	
Transport weight of the heaviest part	24.2 kg		53.4 lbs.	
Dynamic stability: Rated slope				
Q500 R Rear wheel drive	10°		17.6 %	
Min. braking distance at maximum speed Q500 R	3400 mm		133.9"	
Static stability				
Q500 R Sedeo Lite Downwards / Upwards / Sideways	9°/9°/9°	13°/15°/13°	15.8%/26%/15.8%	23%/26%/23%
Q500 R Sedeo Pro Downwards / Upwards / Sideways	9°/9°/9°	13°/15°/13°	15.8%/26%/15.8%	23%/26%/23%
Range of action				
<i>NB: The following aspects have a negative influence on the range of action: Obstacles, rugged terrain, driving on slopes, exposure to temperatures below freezing point and frequent use of powered seat options.</i>				
6 kph 80 Ah batteries Q500 R	32.5 km	40.0 km	20.2 miles	24.9 miles
8 kph 80 Ah batteries Q500 R	30.0 km	37.5 km	18.6 miles	23.3 miles
10 kph 80 Ah batteries Q500 R	27.5 km	35.0 km	17.1 miles	21.7 miles
12.5 kph 80 Ah batteries Q500 R	25.0 km	32.5 km	15.5 miles	20.2 miles
Climbing capability for obstacles				
Rear wheel drive Q500 R	80 mm		3.14"	
Climbing capability with kerclimber for obstacles				
Rear wheel drive Q500 R	100 mm		3.9"	
Max speed forward				
Q500 R Rear wheel drive	6 kph	12.5 kph	4 mph	7.7 mph
Turning radius				
Q500 R Rear wheel drive	950 mm		37.4"	
Turning space / reversing width				
Q500 R Rear wheel drive	1258 mm		50.6"	
Ground clearance				
Q500 R Rear wheel drive	65 mm		2.55"	

Description	Metric system values		Imperial system values & alternative	
	Minimum	Maximum	Minimum	Maximum
Maximum battery dimensions (l x b x h)	260 x 172 x 210 mm		10.2 x 6.8 x 8.3"	
Battery capacity	50 Ah / 60 Ah / 80 Ah		50 Ah / 60 Ah / 80 Ah	
Maximum permissible charging voltage	24V		24V	
Maximum charging current	12 A (rms)		12 A (rms)	
Connector type	📖 Controller manual		📖 Controller manual	
Insulation	Class 2 double insulated		Class 2 double insulated	

Model	Q500 series		
Type / configuration Mid wheel drive	Q500 H		
Maximum user weight			
In combination with Sedeo Pro	160 kg	350 lbs.	
EN12184 class:	B		

Description	Metric system values		Imperial system values & alternative	
	Minimum	Maximum	Minimum	Maximum
Total length (including legrests)				
Q500 H Sedeo Pro Swingaway hangers	1195 mm		47.0"	
Total width				
Q500 H 13" Drive wheels	620 mm		24.4"	
Q500 H 14" Drive wheels	640 mm		25.2"	
Total weight				
Basic configuration, with batteries				
Q500 H Sedeo Pro + anti Shear	128 kg	178 kg	282.2 lbs.	392.4 lbs.
Total weight influencers				
Batteries				
50 Ah AGM (C20) (Set of 2)	27 kg		+ 59.5 lbs.	
60 Ah GEL (C20) (Set of 2)	43 kg		+ 94.8 lbs.	
80 Ah GEL (C20) (Set of 2)	50.2 kg		+ 110.7 lbs.	
Transport weight of the heaviest part	24.2 kg		53.4 lbs.	
Dynamic stability: Rated slope				
Q500 H Hybrid drive	10°		17.6 %	
Min. braking distance at maximum speed	Q500 H 3400 mm		133.9"	
Static stability				
Q500 H Sedeo Pro Downwards / Upwards / Sideways	9°/9°/9°	13°/15°/13°	15.8%/26%/15.8%	23%/26%/23%
Range of action				
<i>NB: The following aspects have a negative influence on the range of action: Obstacles, rugged terrain, driving on slopes, exposure to temperatures below freezing point and frequent use of powered seat options.</i>				
6 kph 80 Ah batteries Q500 H	32.5 km	40.0 km	20.2 miles	24.9 miles
8 kph 80 Ah batteries Q500 H	30.0 km	37.5 km	18.6 miles	23.3 miles
10 kph 80 Ah batteries Q500 H	27.5 km	35.0 km	17.1 miles	21.7 miles
12.5 kph 80 Ah batteries Q500 H	25.0 km	32.5 km	15.5 miles	20.2 miles
Climbing capability for obstacles				
Q500H With no run up, and with 0.5 meter run up.	50 mm	85 mm	1.97"	3.35"
Max speed forward				
Q500 H	6 kph	12.5 kph	3.7 mph	7.7 mph
Turning radius				
Q500 H	910 mm		35.8"	
Turning space / reversing width				
Q500 H	1260 mm		49.6"	
Ground clearance				
Q500 H	80 mm		3.15"	

Description	Metric system values		Imperial system values & alternative	
	Minimum	Maximum	Minimum	Maximum
Maximum battery dimensions (l x b x h)	260 x 172 x 210 mm		10.2 x 6.8 x 8.3"	
Battery capacity	50 Ah / 60 Ah / 80 Ah		50 Ah / 60 Ah / 80 Ah	
Maximum permissible charging voltage	24V		24V	
Maximum charging current	12 A (rms)		12 A (rms)	
Connector type	📖 Controller manual		📖 Controller manual	
Insulation	Class 2 double insulated		Class 2 double insulated	

Technical specifications: SEDEO Lite seating system

	Metric system values		Imperial system values & alternative	
	Minimum	Maximum	Minimum	Maximum
Seat angle adjustment				
Powered tilt with COG adjustment optional	0° - 30°		-5° - 25°	
Powered tilt with COG adjustment optional	-5° - 25°		0° - 30°	
Powered tilt with COG adjustment optional	0° - 50°		0° - 50°	
Effective seat depth	410 mm	560 mm	16.1"	22.0"
Effective seat width	385 mm	510 mm	15.2"	20.1"
Seat to floor height				
Filler Module (No powered tilt in space, no seat elevator)				
pos. 1 60 Ah batteries 0° seat angle	415 mm		16.3"	
pos. 2 60 or 80 Ah batteries 0° seat angle	440 mm		17.3"	
pos. 3 60 or 80 Ah batteries 0° seat angle	465 mm		18.3"	
pos. 4 60 or 80 Ah batteries 0° seat angle	490 mm		19.3"	
Powered tilt & seat elevator (300 mm)				
pos. 1 60 or 80 Ah batteries 0° seat angle	440 mm	740 mm	17.3"	29.1"
pos. 2 60 or 80 Ah batteries 0° seat angle	465 mm	765 mm	18.3"	30.1"
pos. 3 60 or 80 Ah batteries 0° seat angle	490 mm	790 mm	19.3"	31.1"
Backrest angle				
Tool angle adjustable back	86°,90°,94°,98°,102°,106°		86°,90°,94°,98°,102°,106°	
Powered recline	85° - 120°		85° - 120°	
Backrest height (seatplate to top of back cushion)	460 mm	510 mm	18.1"	20.1"
Flip back armrest				
Armrest pad height (seatplate to top armpad)	190 mm	320 mm	7.5"	12.6"
Armrest pad depth (on armrest profile)	100 mm		3.9"	
Armrest pad angle (vertical)	0° - 15°		0° - 15°	
Single Post Flip back armrest				
Armrest pad height (seatplate to top armpad)	250 mm	400 mm	9.8"	15.7"
Armrest width (on seatframe)	-20 mm	+20mm	-0,79"	+0,79"
Armrest pad width (on armrest profile)	-20 mm		-0,79"	
Armrest depth (on seatframe)	250 mm		9,8"	
Armrest pad depth (on armrest profile)	140 mm		5,5"	
Armrest pad angle (vertical)	0° - 15°		0° - 15°	
Center Mount Legrest				
Lower leg length (from seatplate)	305 mm	460 mm	12"	18.1"
Knee angle	70° - 120°		70° - 120°	
Ankle angle	+20° - -40°		+20° - -40°	
Power Center Mount Legrest				
Lower leg length (from seatplate)	210 mm	470 mm	8.3"	18.5"
Knee angle	90° - 180°		90° - 180°	
Max length compensation	180 mm		7.1"	
Ankle angle	+35° - -15°		+35° - -15°	
Swing away SEDEO LITE legrests				
Lower leg length (from seatplate)	350 mm	510 mm	13.8"	20.1"
Knee angle	70°		70°	
Ankle angle	0° - 180°		0° - 180°	

	Metric system values		Imperial system values & alternative	
	Minimum	Maximum	Minimum	Maximum
Swing away SEDEO LITE legrests, manual elevating / power elevating				
Lower leg length (from seatplate)	350 mm	510 mm	13.8"	20.1"
Knee angle	0° - 70°		0° - 70°	
Ankle angle	0° - 180°		0° - 180°	
Swing away UNI legrests				
Lower leg length (from seatplate)	350 mm	510 mm	13.8"	20.1"
Knee angle	70°		70°	
Ankle angle	0° - 180°		0° - 180°	
Swing away SEDEO PRO legrests				
Lower leg length (from seatplate)	350 mm	510 mm	13.8"	20.1"
Knee angle	70°		70°	
Ankle angle	0° - 180°		0° - 180°	
Swing away SEDEO PRO legrests, manual elevating / power elevating				
Lower leg length (from seatplate)	350 mm	510 mm	13.8"	20.1"
Knee angle	0° - 70°		0° - 70°	
Ankle angle	0° - 180°		0° - 180°	
SEDEO Multi-Position headrest mount				
Headrest height adjustment range	170 mm		6.7"	
Headrest depth adjustment range	200 mm		7.9"	
Headrest angle (vertical)	-45° - +45°		-45° - +45°	
Headrest width	-20 mm	20 mm	-0.8"	+0.8"
Lateral Supports				
Lateral support width adjustment range	90 mm		3.5"	
Lateral support height adjustment range	170 mm		6.7"	
Lateral support depth adjustment range	45 mm		1.8"	
Pommel				
Pommel height (from seatplate to top of cushion)	170 mm	250 mm	6.7"	9.8"
Pommel depth adjustment range	65 mm		2.5"	

Technical specifications: SEDEO Pro seating system

	Metric system values		Imperial system values & alternative	
	Minimum	Maximum	Minimum	Maximum
Seat angle adjustment				
Powered tilt with COG adjustment optional	0° - 30°		0° - 30°	
Powered tilt with COG adjustment optional	-5° - 25°		-5° - 25°	
Powered tilt with COG adjustment optional	0° - 50°		0° - 50°	
Powered tilt with COG adjustment optional	-5° - 45°		-5° - 45°	
Effective seat depth	400 mm	560 mm	15.7"	22.0"
Effective seat width	380 mm	560 mm	15"	22.0"
Seat to floor height				
Filler Module (No powered tilt in space, no seat elevator)				
pos. 1 60 Ah batteries 0° seat angle	425 mm		16.7"	
pos. 2 60 or 80 Ah batteries 0° seat angle	440 mm		17.3"	
pos. 3 60 or 80 Ah batteries 0° seat angle	465 mm		18.3"	
pos. 4 60 or 80 Ah batteries 0° seat angle	490 mm		19.3"	
Powered tilt & seat elevator (300 mm)				
pos. 1 60 Ah batteries 0° seat angle	425 mm	725 mm	16.7"	28.5"
pos. 2 60 or 80 Ah batteries 0° seat angle	440 mm	740 mm	17.3"	29.1"
pos. 3 60 or 80 Ah batteries 0° seat angle	465 mm	765 mm	18.3"	30.1"
pos. 4 60 or 80 Ah batteries 0° seat angle	490 mm	790 mm	19.3"	31.1"
Backrest angle				
Tool angle adjustable back	90° - 120°		90° - 120°	
Powered recline	90° - 130°		90° - 130°	
Powered recline with anti shear	90° - 150°		90° - 150°	
Backrest height (seatplate to top of back cushion)	530 mm	720 mm	20.9"	28.3"
Flip back armrest / Single post removable armrest				
Armrest pad height (seatplate to top armpad)	260 mm	380 mm	10.2"	15"
Armrest width (on seatframe)	-20 mm	+20 mm	-0.8"	+0.8"
Armrest pad width (on armrest profile)	-20 mm		-0.8"	
Armrest depth (on seatframe with short seat rail)	250 mm		10.8"	
Armrest pad depth (on armrest profile)	100 mm		3.9"	
Armrest pad angle (vertical)	0° - 15°		0° - 15°	
Reclining Flip back armrest				
Armrest pad height (seatplate to top armpad)	250 mm	400 mm	9.8"	15.7"
Armrest pad width (on armrest profile)	-20 mm		-0.8"	
Armrest pad depth (on armrest profile)	140 mm		5.5"	
Armrest pad angle (vertical)	0° - 15°		0° - 15°	
Center Mount Legrest				
Lower leg length (from seatplate)	305 mm	460 mm	12"	18.1"
Knee angle	70° - 120°		70° - 120°	
Ankle angle	+20° - -40°		+20° - -40°	
Power Center Mount Legrest				
Lower leg length (from seatplate)	210 mm	470 mm	8.3"	18.5"
Knee angle	90° - 180°		90° - 180°	
Max length compensation	180 mm		7.1"	
Ankle angle	+35° - -15°		+35° - -15°	

	Metric system values		Imperial system values & alternative	
	Minimum	Maximum	Minimum	Maximum
Swing away legrests				
Lower leg length (from seatplate)	350 mm	510 mm	13.8"	20.1"
Knee angle	70°		70°	
Ankle angle	0° - 180°		0° - 180°	
Swing away legrests, manual elevating / power elevating				
Lower leg length (from seatplate)	350 mm	510 mm	13.8"	20.1"
Knee angle	0° - 70°		0° - 70°	
Ankle angle	0° - 180°		0° - 180°	
SEDEO Multi-Position headrest mount				
Headrest height adjustment range	170 mm		6.7"	
Headrest depth adjustment range	200 mm		7.9"	
Headrest angle (vertical)	-45° - +45°		-45° - +45°	
Headrest width	-20 mm	20 mm	-0.8"	+0.8"
Lateral Supports				
Lateral support width adjustment range	90 mm		3.5"	
Lateral support height adjustment range	170 mm		6.7"	
Lateral support depth adjustment range	45 mm		1.8"	
Pommel				
Pommel height (from seatplate to top of cushion)	170 mm	250mm	6.7"	9.8"
Pommel depth adjustment range	65 mm		2.5"	
Pushbar height adjustment range	140 mm		5.5"	

12.0 Warranty

THIS GUARANTEE DOES NOT AFFECT YOUR LEGAL RIGHTS IN ANY WAY.

Sunrise Medical* provides a guarantee, as set out in the warranty conditions, for products to its customers covering the following.

Warranty conditions:












1. Should a part or parts of the product require repair or replacement as a result of a manufacturing and/or material fault within 24 months, then the affected part or parts will be repaired or replaced free of charge. The warranty will only cover manufacturing defects
2. To enforce the warranty, please contact the supplier of your wheelchair – e.g. the Sunrise Medical Approved dealership or Healthcare provider with the exact details of the nature of the difficulty. Should you be using the product outside the area covered by the Sunrise Medical customer service agent, repairs or replacement will be carried out by another agency as designated by the manufacturer. The product must be repaired by a Sunrise Medical designated Customer Service agent, (dealer).
3. For parts, which have been repaired or exchanged within the scope of this warranty, we provide a warranty in accordance with these warranty conditions for the remaining warranty period for the product in accordance with point 1.
4. For original spare parts which have been fitted at the customer's expense, these will have a 12 months guarantee, (following the fitting), in accordance with these warranty conditions.
5. Claims from this warranty shall not arise, if a repair or replacement of a product or a part is required for the following reasons:
 - a. Normal wear and tear, which include but is not limited to the following parts where fitted; batteries, armrest pads, upholstery, tyres, brakes shoes, ferrules, etc.
 - b. Any overloading of the product, please check the EC label for maximum user weight.
 - c. The product or part has not been maintained or serviced in accordance with the manufacturer's recommendations as shown in the user instructions and/or the service instructions.
 - d. Accessories have been used which are not specified as original accessories.
 - e. The product or part having been damaged by neglect, accident or improper use.
 - f. Changes/modifications have been made to the product or parts, which deviate from the manufacturer's specifications.
 - g. Repairs have been carried out, before our Customer Service has been informed of the circumstances.
6. This guarantee is subject to the law of the country in which the product was purchased from Sunrise Medical.
7. Life expectancy
We estimate a life expectancy of five years for this product, provided that:
 - It is used in strict accordance with the intended use as set out in this document.
 - All maintenance and service requirements are met.The estimated life expectancy can be exceeded if the product is carefully used and properly maintained, provided that technical and scientific advances do not result in technical limitations.
The life expectancy can also be considerably reduced by extreme or incorrect usage.
The fact that we estimate a life expectancy for this product does not constitute an additional warranty.

* Means the Sunrise Medical facility from which the product was purchased.















Additional Notes For Australia Only:

- i. For goods provided by Sunrise medical Pty Ltd in Australia, our goods come with a guarantee by Sunrise Medical that cannot be excluded under Australian Consumer Law.
- ii. You are entitled to a replacement or refund for a major failure and for compensation for any foreseeable loss or damage.
- iii. You are also entitled to have the goods repaired or replaced if the goods fail to be of acceptable quality and the failure does not amount to a major failure.
- iv. The benefits to you given by this warranty are in addition to your other rights and remedies under a law in relation to the goods to which the warranty relates.

13.0 Nameplate

	Sunrise Medical GmbH Kahlbachring 2-4 D-69254 Malsch / Germany	 2020-10-19
TYPE:	E-Rollstuhl	SN 203204229981727
Q500 M	ISO 7176-19:2008	FIN-Nr: 5M20107584
 136 kg	 max 385 kg	 max 6 km/h
 max 6°	 max 60kg/250kg/100kg	  
		

UK	RP	Sunrise Medical Limited Thorns Road, Brierley Hill West Midlands, DY5 2LD UNITED KINGDOM
-----------	-----------	---

TYPE:	Product Name/SKU Number.
	Maximum safe slope with anti-tip tubes fitted, Depends on wheelchair setting, posture and physical capabilities of the user.
	Maximum user weight.
	Load Maximum.
	Maximum speed.
	Maximum axle loading.
	UKCA Mark.
	CE Mark.
	Consult instructions for use.
	Indicates electrical / electronic equipment must be disposed of in accordance with the WEEE regulation.
 XXXX-XX-XX	Date of manufacture.
	Serial number.
	This symbol means Medical Device.
	Manufacturer's address.
ISO 7176-19:2008	Crash tested according to ISO 7176-19:2008.
	Importer's address
UK RP	UK Responsible Person
CH REP	Swiss Representative's address



ISO 7010-M002
Instruction manual/booklet
must be read! (Blue Icon)

Pour toute question relative à l'utilisation, à l'entretien ou à la sécurité de votre fauteuil roulant, contactez votre revendeur agréé Sunrise Medical. Si vous ne connaissez aucun revendeur dans votre région ou si vous avez des questions supplémentaires, vous pouvez écrire ou téléphoner à :

Sunrise Medical SAS
ZAC de la Vrillonnerie
17 Rue Michaël Faraday
37170 Chambray-Lès-Tours
Tel : +33 (0) 2 47 55 44 00
Email: info@sunrisemedical.fr
www.sunrisemedical.fr

Sommaire

1.0 Informations utilisateur	59
1.1 À propos du présent manuel d'utilisation	59
1.2 Informations complémentaires	59
1.3 Symboles utilisés dans le manuel	60
2.0 Sécurité	61
2.1 Symboles et étiquettes apposés sur le produit	61
2.2 Sécurité : Température	61
2.3 Sécurité : Organes mobiles	62
2.4 Sécurité : Rayonnement électromagnétique	62
2.5 Sécurité : Risque d'étouffement	63
2.6 Sécurité : Utilisation d'un élévateur fixé à un véhicule	63
2.7 Sécurité : Tablettes	63
2.8 Sécurité : Soulever le fauteuil roulant	63
3.0 Usage prévu du fauteuil roulant	63
3.1 Champ d'application : L'utilisateur	63
3.2 Champ d'application : Environnement de l'utilisateur	65
4.0 Configuration du fauteuil roulant	66
4.1 Système d'assise	66
4.2 Hauteur d'assise	66
4.3 Centre de gravité	66
4.4 Hauteur et profondeur du boîtier de commande	66
4.5 Programmation du système de commande	66
4.6 Réglage des roulettes stabilisatrices	66
4.7 Ceinture de bassin / ceinture de positionnement	67
4.8 Réglage de l'amortisseur	68
5.0 Utilisation du fauteuil roulant	70
5.1 Vérification du fauteuil roulant avant utilisation	70
5.2 Monter et descendre du fauteuil	71
5.3 Conduite du fauteuil roulant	71
5.4 Virages	72
5.5 Freinage et arrêt d'urgence	72
5.6 Utilisation en pente	73
5.7 Obstacles et trottoirs :	74
5.8 Pousser le fauteuil roulant	75
5.9 Options d'assise (électriques)	76
6.0 Batteries, recharge et autonomie	77
6.1 Batteries	77
6.2 Recharger les batteries :	78
6.3 Autonomie de votre véhicule :	79
6.4 Garantie des batteries :	80
6.5 Remplacement des batteries	80
6.6 Déconnexion des batteries pour le transport aérien	80
7.0 Transport	83
7.1 Transport du fauteuil à bord d'un véhicule motorisé	83
7.2 Utilisation du système d'arrimage Dahl (Mk II et VarioDock) ..	85
7.3 Utilisation du fauteuil comme siège passager	92
7.4 Conditions spéciales de transport	93
7.5 Avertissements généraux relatifs au transport	94
8.0 Entretien et nettoyage	95
8.1 Entretien	95
8.2 Entretien et pression des pneus	96
8.3 Maintenance des roues et des pneus	99
8.4 Entretien des feux :	100
8.5 Nettoyage et désinfection	100
8.6 Entreposage à moyen et long terme :	100
9.0 Enlèvement	101
10.0 Dépannage	102
11.0 Caractéristiques techniques : Normes en vigueur	102
12.0 Garantie	111
13.0 Plaque signalétique	112

Tampon et signature du revendeur

1.0 Informations utilisateur

Nous vous remercions d'avoir choisi un fauteuil roulant Sunrise Medical. Sunrise Medical proposent des produits de mobilité de qualité conçus pour renforcer votre indépendance et faciliter la réalisation de vos activités quotidiennes.

Dans le cadre d'une initiative d'amélioration continue de produit, Sunrise Medical se réserve le droit de modifier les spécifications et le modèle sans préavis.

Toutefois, toute modification d'informations aux utilisateurs existants sera communiquée clairement si essentiel à leur sécurité.

En outre, certaines fonctions et options disponibles ne sont pas compatibles avec toutes les configurations du fauteuil.

Toutes les dimensions suivantes sont approximatives et sujettes à des modifications.




La durée de vie anticipée de ce produit est de 5 années. N'utilisez ET n'installez aucun composant tiers sur le fauteuil, à moins qu'ils n'aient été formellement approuvés par Sunrise Medical.

1.1 À propos du présent manuel d'utilisation

Le présent manuel d'utilisation vous aidera à utiliser et à entretenir votre fauteuil roulant en toute sécurité. L'intégralité du manuel d'utilisation englobe trois fascicules :

- Manuel d'utilisation générale du fauteuil roulant (le présent fascicule)
- Manuel d'utilisation du système d'assise
- Manuel d'utilisation du boîtier de commande

Si nécessaire, ce manuel d'utilisation général désigne les autres manuels comme affiché sur le tableau ci-dessous :

 Système d'assise :	Renvoie au manuel d'utilisation du système d'assise.
 Boîtier de commande :	Renvoie au manuel d'utilisation du boîtier de commande.
 Chargeur de batteries :	Renvoie au manuel d'utilisation du chargeur de batterie.

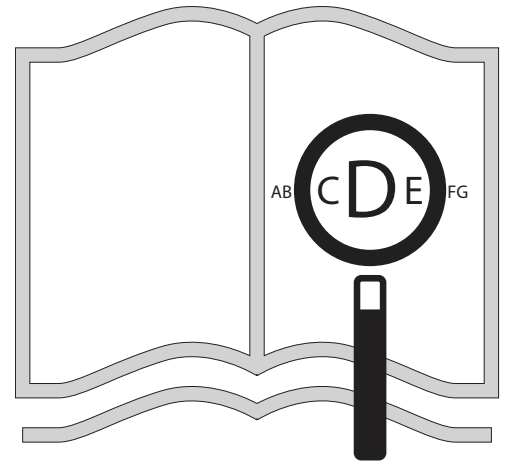
Ne pas utiliser le fauteuil roulant avant d'avoir bien lu et compris tous les dépliant concernés !

Si l'un des fascicules venait à manquer lors de la livraison de votre fauteuil, veuillez le signaler immédiatement à votre revendeur.

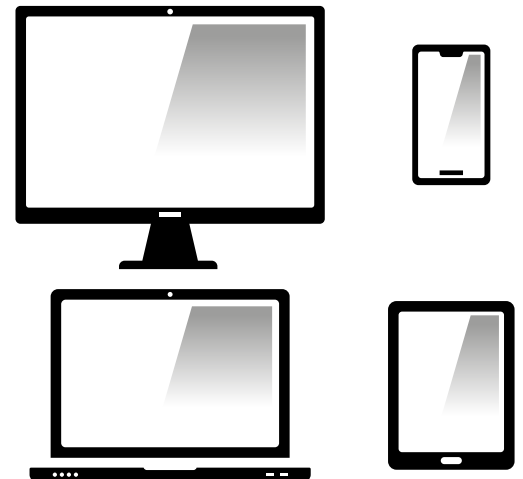
1.2 Informations complémentaires

Adressez-vous à votre service après-vente Sunrise Medical, compétent et agréé, pour toute question concernant l'utilisation, la maintenance ou la sécurité de votre fauteuil roulant. S'il n'y a aucun revendeur près de chez vous ou si vous avez des questions, contactez-nous par courrier ou par téléphone à l'adresse suivante.

Pour toute information sur les avis de sécurité et rappels de produits, rendez-vous sur www.SunriseMedical.fr






Si vous souffrez de déficience visuelle, ce document peut être consulté en format PDF sur www.SunriseMedical.fr




ou vous être envoyé en grands caractères, sur demande.



1.3 Symboles utilisés dans le manuel

 DANGER !	Risque potentiel de blessures, voire de blessures graves ou mortelles
 AVERTISSEMENT !	Risque potentiel de blessures
 ATTENTION !	Risque potentiel d'endommagement du matériel

 En sa qualité de fabricant, SUNRISE MEDICAL, déclare que ce fauteuil est conforme au règlement relatif aux dispositifs médicaux (2017/745).

REMARQUE :

Conseil d'utilisation générale.

Le non-respect des présentes instructions peut causer des blessures physiques, l'endommagement du matériel ou la dégradation de l'environnement.

Avis à l'utilisateur et/ou au patient : Tout incident grave en rapport avec le dispositif doit être signalé au fabricant et aux autorités compétentes de l'État membre dans lequel réside l'utilisateur et/ou le patient.

Adaptations spéciales pour B4Me

Afin de vous assurer que votre produit B4Me fonctionne de manière performante comme prévu par le fabricant, Sunrise Medical vous recommande vivement de lire et de comprendre toutes les informations utilisateur fournies avec votre produit B4Me avant de l'utiliser pour la première fois.

Sunrise Medical recommande également que les informations utilisateur ne soient pas jetées après leur lecture, mais qu'elles soient conservées en toute sécurité afin d'être consultées ultérieurement.

Combinaison de dispositifs médicaux

Il est possible de combiner le présent dispositif médical avec un ou plusieurs autres dispositifs ou produits. Vous trouverez sur www.Sunrisemedical.fr toutes les informations utiles sur les combinaisons possibles. Toutes les combinaisons présentées ont été validées et sont conformes aux exigences générales en matière de sécurité et de performances énoncées dans annexe I No. 14.1 du règlement 2017/745 relatif aux dispositifs médicaux.

Vous trouverez des conseils sur la combinaison, relatifs par exemple au montage, sur www.SunriseMedical.fr.

2.0 Sécurité

Respectez toujours scrupuleusement les consignes apparaissant en regard des symboles d'avertissement. Le non-respect des instructions peut causer des blessures physiques, l'endommagement du fauteuil roulant ou la dégradation de l'environnement. Dans la mesure du possible, les informations relatives à la sécurité sont fournies dans le chapitre consacré à ce sujet.

2.1 Symboles et étiquettes apposés sur le produit

Les signes, symboles et instructions apposés sur le fauteuil roulant font partie de l'ensemble des mesures de sécurité. Ils ne doivent jamais être recouverts, ni retirés. Ils doivent rester en place et être clairement lisibles tout au long de la durée de vie du fauteuil roulant.

Tout signe, symbole et instruction illisible ou endommagé doit être immédiatement remplacé ou réparé. Pour toute assistance, contactez votre revendeur.

Fig. 2.1. AVERTISSEMENT - Ne pas toucher - FORTE CHALEUR

Fig. 2.2. Point d'arrimage

Fig. 2.3. AVERTISSEMENT – Risque de pincement des doigts

Fig. 2.4. AVERTISSEMENT – Vérifier que le verrou à libération rapide de l'interface d'assise est bien serré avant d'utiliser le fauteuil, surtout en pente

Fig. 2.5. AVERTISSEMENT – Avant de monter ou de descendre une pente, il est vivement recommandé de ramener le siège et le dossier en position neutre. Le non-respect de cette recommandation pourrait déstabiliser votre fauteuil roulant.

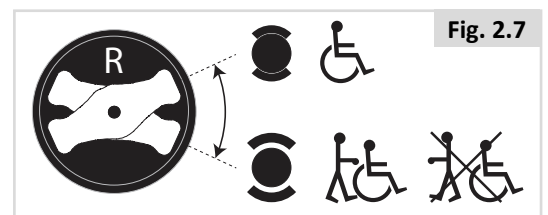
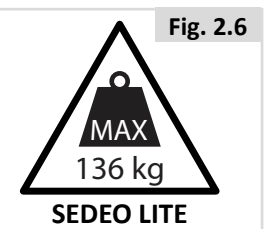
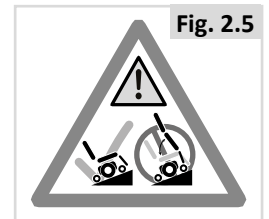
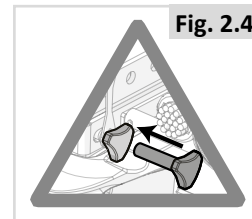
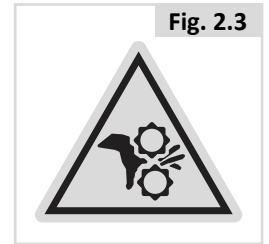
Fig. 2.6. AVERTISSEMENT – Poids maximum de l'utilisateur pour le fauteuil roulant avec Sedeo Pro : 160 kg. Avec Sedeo Lite : 136 kg

Fig. 2.7. Mécanisme de roue libre : levier externe vers le bas = roue libre

Fig. 2.8. AVERTISSEMENT – Ne pas utiliser le mode C-Me dans une pente.

Fig. 2.9. Numéro de série et plaque signalétique (exemple d'étiquette)

Fig. 2.10. Emplacement de la plaque signalétique, (au verso - Fig. 2.10.1 roue centrale, Fig. 2.10.2 roue traction (avant), 2.10.3 roue propulsion (arrière)).



2.2 Sécurité : Température

! AVERTISSEMENT !

- Évitez tout contact physique avec les moteurs du fauteuil roulant. Les moteurs étant en mouvement permanent durant l'utilisation du fauteuil roulant, ils peuvent atteindre des températures élevées. Une fois éteints, les moteurs refroidissent lentement. Tout contact physique peut entraîner des brûlures. Après utilisation du fauteuil, laissez les moteurs refroidir pendant au moins 30 min.
- Pendant la non-utilisation de votre fauteuil, évitez de le laisser exposer à la lumière directe du soleil pendant des périodes prolongées. Certains composants du fauteuil, comme le siège, le dossier et les accoudoirs peuvent chauffer s'ils restent exposés au soleil pendant trop longtemps, risquant de provoquer des brûlures ou des réactions allergiques cutanées.

Sunrise Medical GmbH Kahlbachring 2-4 D-69254 Malsch / Germany		2020-10-19
E-Rollstuhl		
TYPE:	SN	203204229981727
Q500 M	ISO 7176-19:2008	FIN-Nr: 5M20107584
136 kg	max 385 kg	max 6 km/h
max 6"	max 60kg/250kg/100kg	UK CA CE MD

Sunrise Medical GmbH Kahlbachring 2-4 D-69254 Malsch / Germany		2021-04-15
POWER WHEELCHAIR		
TYPE:	SN	230211332971010
Q500 F	ISO 7176-19:2008	FIN-Nr: 5F2142149
160 kg	max 385 kg	max 6 km/h
max 6"	max 100kg/318kg	UK CA CE MD

Sunrise Medical GmbH Kahlbachring 2-4 D-69254 Malsch / Germany		2021-04-12
POWER WHEELCHAIR		
TYPE:	SN	230211332987190
Q500 R	ISO 7176-19:2008	FIN-Nr: 5R2147660
160 kg	max 385 kg	max 10 km/h
max 6"	max 240/190 kg	UK CA CE MD

2.3 Sécurité : Organes mobiles (Fig. 2.11)

! DANGER !

Le fauteuil roulant possède des pièces mobiles et rotatives. Tout contact avec les organes mobiles peut entraîner de graves blessures ou endommager le fauteuil. Il convient d'éviter tout contact avec les organes mobiles du fauteuil.

- Roues (arrière et avant)
- Mécanisme électrique de bascule d'assise
- Option d'élévation électrique de l'assise
- Mécanisme électrique d'inclinaison du dossier
- Support escamotable du boîtier de commande

2.4 Sécurité : Rayonnement électromagnétique

! ATTENTION !

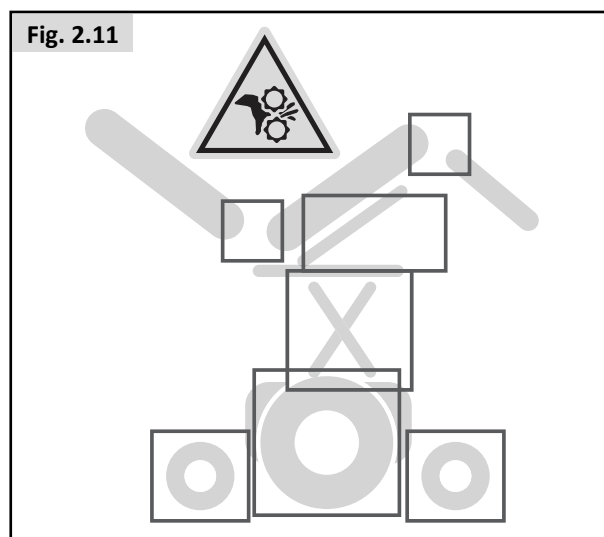
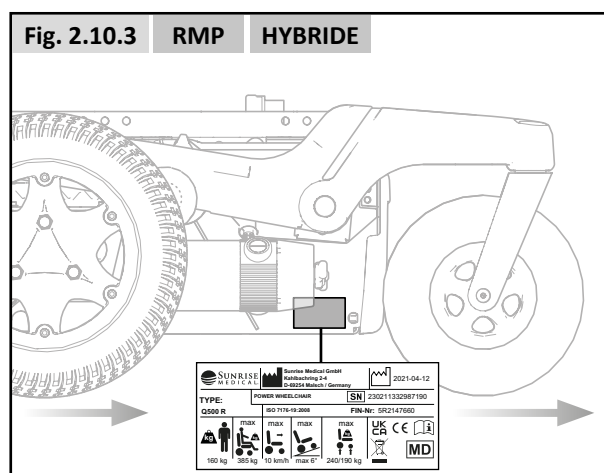
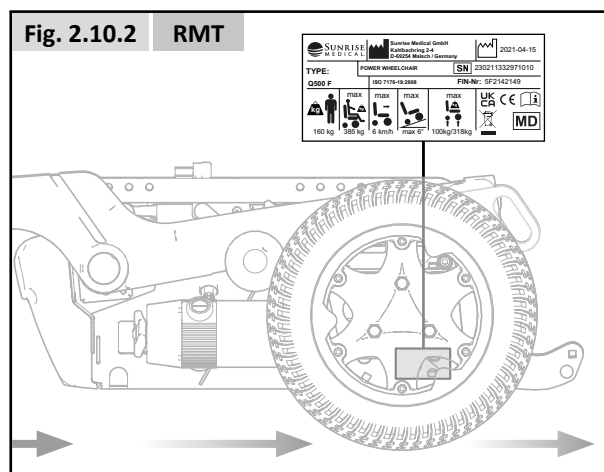
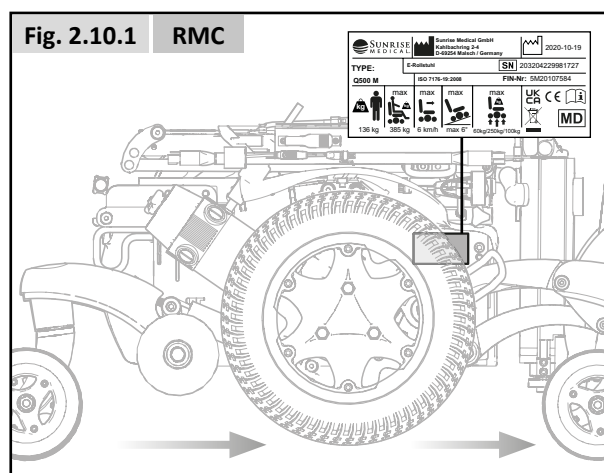
La version standard de votre fauteuil électrique a été testée conformément aux exigences réglementaires en vigueur relatives au rayonnement électromagnétique (exigences CEM). Malgré ces tests : Le rayonnement électromagnétique peut avoir une influence sur le fauteuil roulant. Cette éventualité ne peut être exclue. Par exemple :

- téléphonie mobile
- appareil médical
- autres sources de rayonnement électromagnétique
- Le fauteuil roulant peut également créer des interférences avec les champs électromagnétiques. Par exemple :
- portes de magasins
- systèmes d'alarme antivols dans les magasins
- systèmes d'ouverture de portes de garages

Dans l'éventualité peu probable où se produirait un problème de ce type, veuillez le signaler immédiatement à votre revendeur.

! DANGER !

- Si vous souhaitez utiliser une radio émettrice-réceptrice, un talkie-walkie, une bande de fréquence amateur CB, un système de communication mobile et autres dispositifs de transmission, vous devez d'abord immobiliser le véhicule, puis couper le contact.
- L'utilisation d'un téléphone sans fil, portable ou cellulaire, y compris les kits mains-libres, est autorisée, mais si vous constatez un fonctionnement anormal du fauteuil, vous devez immédiatement l'immobiliser et couper le contact.



2.5 Sécurité : Risque d'étouffement



Ce fauteuil est composé de petites pièces qui, dans certaines conditions, peuvent présenter un risque d'étouffement pour les jeunes enfants.

2.6 Sécurité : Utilisation d'un élévateur fixé à un véhicule

On trouve les élévateurs de fauteuils roulants dans certains vans, bus et immeubles pour vous permettre de passer d'un niveau/étage à l'autre.



- Assurez-vous que l'utilisateur et toute tierce personne comprennent parfaitement les instructions du fabricant de l'ascenseur quand ils l'utilisent.
- Ne dépassez jamais le poids maximal de sécurité recommandé par le fabricant de l'ascenseur et respectez les consignes de répartition du poids.
- Coupez toujours le contact lorsque vous êtes dans l'ascenseur. Si vous oubliez de le faire, vous risquez de toucher le joystick par accident et de déplacer votre fauteuil au-delà de la plate-forme. Sachez que les butoirs présents aux extrémités des plate-formes pourraient ne pas suffire à vous retenir.
- L'utilisateur doit toujours être bien installé dans son fauteuil afin de ne pas tomber pendant qu'il est sur l'élévateur.
- Vérifiez que le fauteuil est en mode Conduite avant d'utiliser l'élévateur (les roues ne doivent pas être en mode Roue libre).

2.7 Sécurité : Tablettes

Sécurité : Tablette escamotable :



- Le poids maximal autorisé sur la tablette est de 2,5 kg.
- Ne surchargez pas la tablette, ceci pourrait la casser ou rendre le fauteuil instable.
- Ne laissez pas de cigarette allumée ou d'autres sources de chaleur sur la tablette, car ceci pourrait la déformer et laisser des marques.
- Assurez-vous de ne pas vous pincer la peau ou de coincer vos vêtements pendant le positionnement de la tablette.

2.8 Sécurité : Soulever le fauteuil roulant



- Ne soulevez pas le fauteuil roulant en l'attrapant par des organes amovibles car vous pourriez endommager le fauteuil ou blesser l'utilisateur.

3.0 Usage prévu du fauteuil roulant

Description générale



Le fauteuil Q500 est un modèle électrique modulaire. Il se distingue par son système de suspension qui permet des conditions de déplacement optimales à l'intérieur comme à l'extérieur.

De conception modulaire, simple et bénéficiant d'une variété de réglages, le Quickie Q500 est un excellent fauteuil qui permet un entretien, un recyclage et une remise en état simplifiés.

La série Q500 satisfera les besoins, circonstances ou préférences personnelles. Elle existe sous les configurations suivantes :

- Roue motrice centrale (RMC) : Q500 M
- Roue motrice traction (RMT) : Q500 F
- Roue motrice propulsion (RMP) : Q500 R
- Conduite hybride (HBD) : Q500H

Pour la possibilité d'un siège optimal et d'ajustements personnalisés, la série Q500 est compatible avec :


- Système d'assise Sedeo Lite (cf. manuel d'utilisation du système d'assise )
- Système d'assise Sedeo Pro (cf. manuel d'utilisation du système d'assise )

3.1 Champ d'application : L'utilisateur

Les fauteuils roulants électriques sont exclusivement destinés aux utilisateurs dans l'incapacité de marcher ou à mobilité restreinte et pour leur propre usage, à l'intérieur comme à l'extérieur.

La conduite d'un fauteuil roulant électrique exige des capacités cognitives, physiques et visuelles. L'utilisateur doit être capable d'évaluer et de corriger toute action réalisée lors de la manipulation du fauteuil.

Le fauteuil n'est pas prévu pour le transport de plus d'une personne à la fois. La charge maximale (laquelle combine le poids de l'utilisateur et de tout accessoire éventuellement embarqué) est indiquée sur la plaque signalétique apposée sur le châssis du fauteuil (Fig. 2.9).

Pour connaître les restrictions de poids pour l'utilisateur, cf. manuel d'utilisation du système d'assise 

L'utilisateur doit prendre connaissance du contenu du présent manuel d'utilisation avant d'utiliser le fauteuil roulant. Par ailleurs, l'utilisateur du fauteuil doit recevoir des consignes précises par un spécialiste qualifié avant de s'engager sur la voie publique. Les premières sorties à bord du fauteuil doivent être supervisées par un formateur/conseiller.

Indications

De par la diversité des options de montage et sa conception modulaire, ce fauteuil convient pour les personnes dans l'incapacité de marcher ou à mobilité restreinte, suite à :

- Une paralysie
- La perte d'un membre (amputation de la jambe)
- Un problème/la difformité d'un membre
- Des contractures/blessures aux articulations
- Des maladies, telles qu'une insuffisance cardiaque et circulatoire, trouble de l'équilibre ou cachexie, et pour les personnes âgées ayant assez de force dans le haut du corps.

Contre-indications

Le fauteuil roulant ne doit pas être utilisé dans les cas suivants :

- Trouble de la perception
- Déséquilibre
- Incapacité à s'asseoir

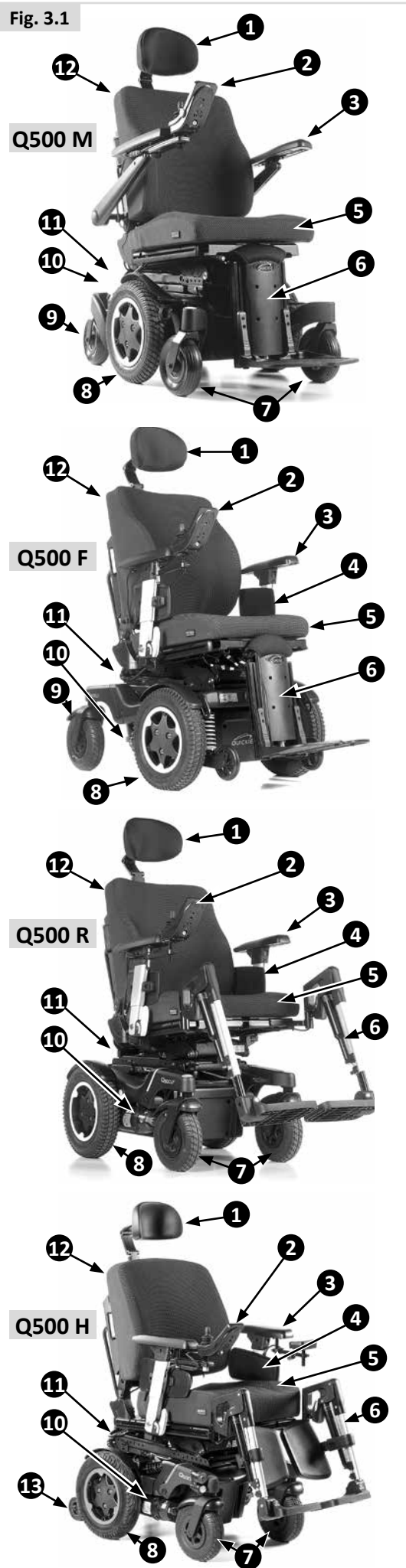
REMARQUE :

Il convient de noter que l'utilisation d'un fauteuil roulant exige un certain degré de capacités cognitives, physiques et visuelles. L'utilisateur doit être en mesure d'évaluer les conséquences de ses actions pendant l'utilisation du fauteuil roulant et, si nécessaire, les corriger. Ces capacités et l'utilisation sécurisée de composants supplémentaires fixés au fauteuil roulant ne peuvent être évaluées par le fabricant, Sunrise Medical. Nous déclinons toute responsabilité pour tout dommage découlant d'une telle situation.

Veuillez prendre connaissance des consignes d'utilisation relatives au fauteuil roulant et aux composants accessoires embarqués. Communiquez à l'utilisateur les informations utiles sur l'utilisation sécurisée du fauteuil roulant et des composants accessoires embarqués. Communiquez à l'utilisateur les avertissements spécifiques qu'il est important de connaître et de respecter.

Composants (Fig. 3.1)			
1.	Appui-tête	8.	Roue motrice
2.	Joystick	9.	Roue arrière
3.	Accoudoir	10.	Moteurs
4.	Coussinet latéral	11.	Compartiment à batteries
5.	Coussin d'assise	12.	Toile du dossier
6.	Repose-jambe	13.	Roulettes stabilisatrices
7.	Roue avant		

Fig. 3.1



AVERTISSEMENT !

- Si vous êtes sous l'influence de médicaments susceptibles d'entraver votre capacité de conduite, vous n'êtes pas autorisé à utiliser le fauteuil roulant.
- Une vision adéquate est exigée pour opérer le fauteuil en toute sécurité dans l'environnement de l'utilisateur.
- Le fauteuil n'est pas prévu pour être occupé par plus d'une personne à la fois.
- Ne laissez pas les enfants utiliser le fauteuil roulant sans surveillance.

ATTENTION !

- Il incombe à l'utilisateur du fauteuil roulant de respecter les réglementations locales en vigueur relatives à la sécurité.

Accompagnateurs

En présence d'un module de commande Accompagnateur, le fauteuil électrique peut être manipulé par un accompagnateur.

En présence d'un double module de commande, le fauteuil électrique peut être manipulé par l'utilisateur, qui peut à tout moment transférer la commande à l'accompagnateur.

- Lisez tous les avertissements et respectez toutes les consignes présentes dans ce manuel. Les avertissements adressés à l'utilisateur valent également pour vous.
- Ne montez pas et ne vous asseyez pas sur le système d'assise.
- Travaillez en collaboration avec l'utilisateur, le médecin, l'infirmière ou le thérapeute de l'utilisateur afin d'apprendre à connaître les méthodes les mieux adaptées à vos capacités et à celles de l'utilisateur.
- Vérifiez que les poignées ne tournent pas dans le vide et ne glissent pas.
- Assurez-vous de toujours pouvoir accéder facilement aux commandes Accompagnateur lorsque le fauteuil est en déplacement et vérifiez que le boîtier de commande est solidement fixé au fauteuil.
- Réglez la vitesse de la commande Accompagnateur à un niveau que vous pouvez suivre confortablement.
- Éteignez toujours votre boîtier de commande lorsque vous laissez l'utilisateur dans le fauteuil.

3.2 Champ d'application : Environnement de l'utilisateur

Ce fauteuil roulant est prévu pour un usage à l'intérieur et à l'extérieur (EN12184 (2014) classe B). Lorsque vous utilisez le fauteuil en extérieur, roulez exclusivement sur des routes, trottoirs, chaussées et pistes cyclables goudronnés. Adaptez la vitesse à l'environnement.

AVERTISSEMENT !

- Roulez prudemment sur les chaussées glissantes dues à la pluie, au verglas ou à la neige.
- Allumez les feux d'éclairage lorsque la visibilité est limitée.
- Faites preuve d'une vigilance accrue lorsque vous roulez à vive allure. Réduisez votre vitesse lorsque vous évoluez à l'intérieur, sur le trottoir et en zones piétonnes.
- Ne tentez pas de surmonter des obstacles trop élevés.
- Ne lestez pas le fauteuil d'un poids supplémentaire sans l'approbation d'un spécialiste qualifié. Cela pourrait altérer la stabilité du fauteuil.

ATTENTION !

- Évitez tout contact entre le fauteuil et l'eau de mer : l'eau de mer est caustique et risque d'endommager le fauteuil.
- Évitez tout contact entre le fauteuil et le sable : le sable peut s'introduire dans les organes mobiles et entraîner leur usure prématurée et généralisée.
- N'utilisez pas le fauteuil si les températures sont inférieures à -25°C ou supérieures à $+50^{\circ}\text{C}$.
- N'ouvrez pas les portes en les poussant à l'aide des repose-jambes.
- N'utilisez pas le fauteuil pour pousser et/ou tracter des objets.
- Ne roulez pas dans les flaques d'eau.

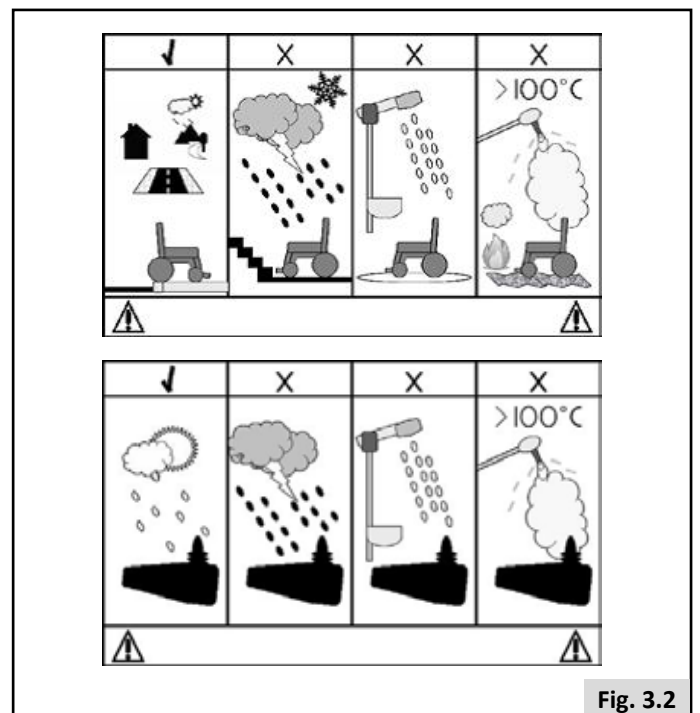


Fig. 3.2

4.0 Configuration du fauteuil roulant

Les fauteuils Sunrise Medical peuvent être ajustés en fonction des besoins des utilisateurs.

À cet égard, nous faisons la distinction entre les paramètres de configuration du fauteuil et les options de réglage d'assise. Les réglages sont effectués une seule fois, lorsque le fauteuil est sur le point d'être utilisé. Les réglages doivent être réalisés par un spécialiste, sauf indication contraire. Les réglages d'assise peuvent être effectués par l'utilisateur. Les options de réglage ne nécessitent pas l'utilisation d'outils.

4.1 Système d'assise

Les nombreux paramètres relatifs au système d'assise permettent un support optimal du corps (📖 Système d'assise). Les options de réglage suivantes sont possibles :

1. Profondeur et largeur d'assise
2. Angle d'inclinaison du dossier
3. Largeur/hauteur de l'accoudoir
4. Longueur du segment jambier
5. Angle d'inclinaison des palettes
6. Angle du repose-pied

4.2 Hauteur d'assise

La hauteur d'assise peut être adaptée aux besoins spécifiques de l'utilisateur. Chaque hauteur d'assise optionnelle prévoit une inclinaison nominale de sécurité conforme à la norme EN12184 (2014) Classe B. Plus le siège est bas, plus la stabilité (dynamique) du fauteuil est élevée.

⚠️ AVERTISSEMENT !

Plus le siège est haut, plus la stabilité (dynamique) du fauteuil est réduite.

4.3 Centre de gravité

⚠️ DANGER !

Le bon réglage du centre de gravité d'un fauteuil roulant électrique est à la fois physiquement exigeant et essentiel pour la sécurité. Sunrise Medical recommande de confier ce réglage à un service après-vente/revendeur agréé.

4.4 Hauteur et profondeur du boîtier de commande

(📖 Système d'assise).

4.5 Programmation du système de commande

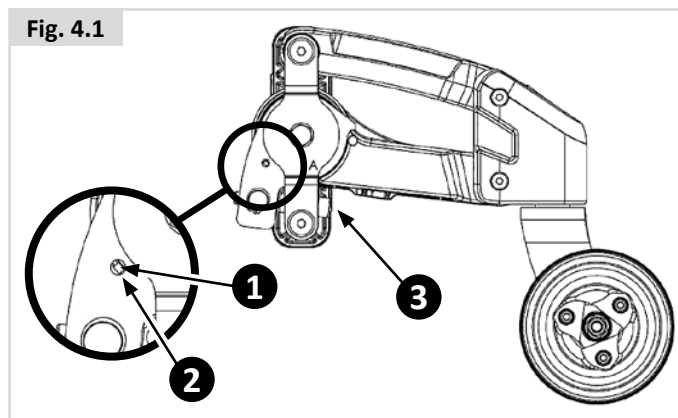
Ce fauteuil est équipé d'un système de commande programmable à partir de paramètres de réglage. Il s'agit d'une opération spécialisée qui exige une formation particulière et qui ne peut être effectuée qu'avec un logiciel professionnel. L'utilisateur final n'est pas autorisé à ajuster ces réglages.

⚠️ DANGER !

Le réglage incorrect des paramètres du système de commande peut engendrer des situations très dangereuses. Les réglages doivent être effectués par des spécialistes.

4.6 Réglage des roulettes stabilisatrices (Fig. 4.1)

Alors que l'utilisateur est assis à bord du fauteuil en position de conduite, ajustez la roulette stabilisatrice en tournant la vis de réglage vers la droite ou la gauche. La roulette stabilisatrice est correctement réglée lorsque le repère (1) est visible à travers le regard (2).



4.7 Ceinture de bassin / ceinture de positionnement

DANGER/AVERTISSEMENT !

- Ce produit doit servir exclusivement à positionner une seule personne dans un fauteuil roulant.
- Les ceintures de bassin ne conviennent pas pour le transport ; un système de retenue homologué doit être utilisé à la place.
- Le non-respect de ces avertissements peut engendrer des blessures graves, voire fatales.
- L'aide-soignant ou l'accompagnateur doit avoir été formé à l'utilisation adéquate des ceintures.
- La présence d'un aide-soignant ou accompagnateur non formé peut ralentir l'intervention en situation d'urgence.

Installation d'une ceinture de bassin / ceinture de positionnement

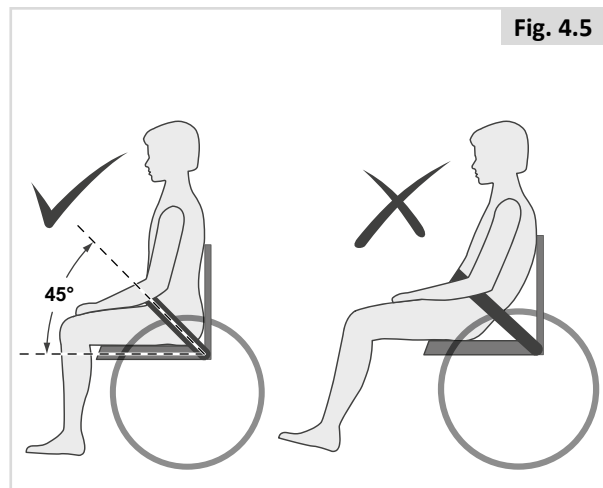
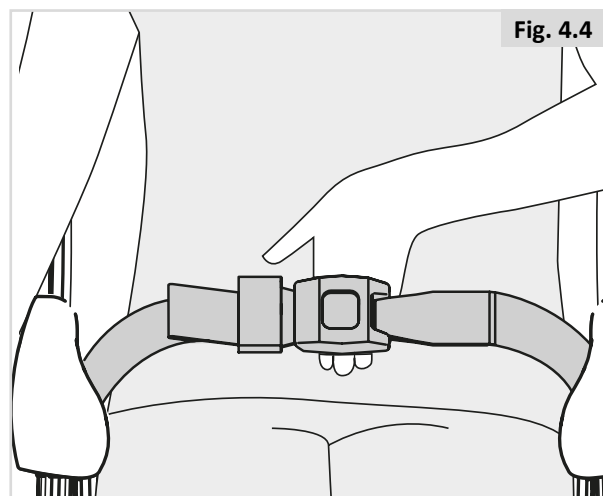
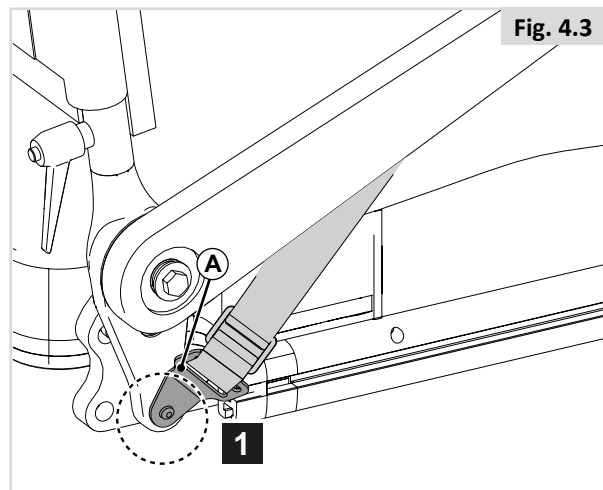
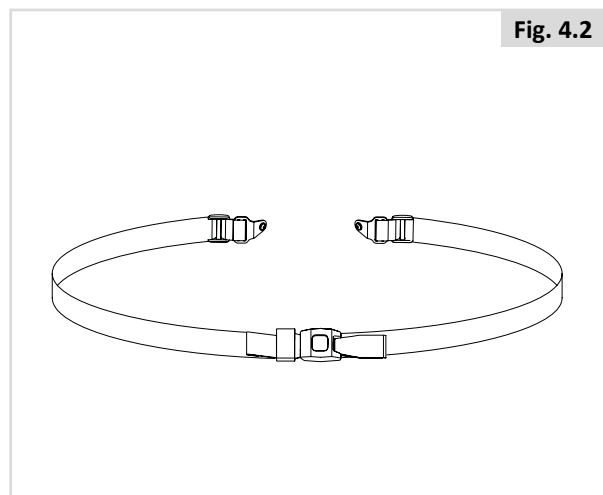
1. Fixez (A) au châssis à l'aide d'une vis à gauche et à droite. (Fig. 4.3)

Positionnement correct avec une ceinture de bassin

- Pour le confort et la sécurité de l'utilisateur, tendez la ceinture de bassin de sorte à pouvoir seulement passer la main entre la sangle et les cuisses (Fig. 4.4).
- La sangle doit être normalement tendue de sorte à pouvoir passer la main dessous, en veillant toutefois à ce qu'elle ne soit pas trop lâche.
- En général, la ceinture de bassin doit être fixée de façon à ce que les sangles soient à un angle d'environ 45° (Fig. 4.5), et quand elle est correctement réglée, elle ne permet pas à l'utilisateur de glisser dans le siège.
- Posez la sangle sur le siège en plaçant la boucle d'ouverture sur votre droite pour un gaucher ou sur votre gauche pour un droitier. Passez une extrémité de la ceinture par l'ouverture entre les montants du dossier et le dossier.

DANGER/AVERTISSEMENT !

- Toujours vérifier que la ceinture sous-abdominale est bien fixée et correctement réglée avant d'utiliser le fauteuil.
- Une sangle trop lâche peut entraîner le glissement de l'utilisateur et causer de graves blessures.
- Vérifiez régulièrement l'état de la ceinture et des composants de retenue afin de détecter l'apparition d'éventuels signes d'endommagement ou de déchirure. Remplacez la ceinture, si nécessaire.
- Lors des révisions, vérifiez le bon fonctionnement de la boucle d'ouverture et regardez s'il y a des signes d'usure sur la sangle ou les boucles en plastique.
- Vérifications et gestes courants :
- Comme avec tous les composants de positionnement, des ajustements correctifs sont à prévoir au fur et à mesure que la position d'assise du patient change avec le temps.
- Vérifier régulièrement le réglage des ceintures pour garantir la sécurité et le confort du patient.



4.8 Réglage de l'amortisseur

⚠ ATTENTION !

Veillez à ce que le boîtier de commande soit hors tension.

1. Surélevez le châssis de sorte à dégager les roues du sol. (Fig. 4.6).

2. Dévissez les 3 écrous et déposez la roue motrice (Fig. 4.7).

Fig. 4.6

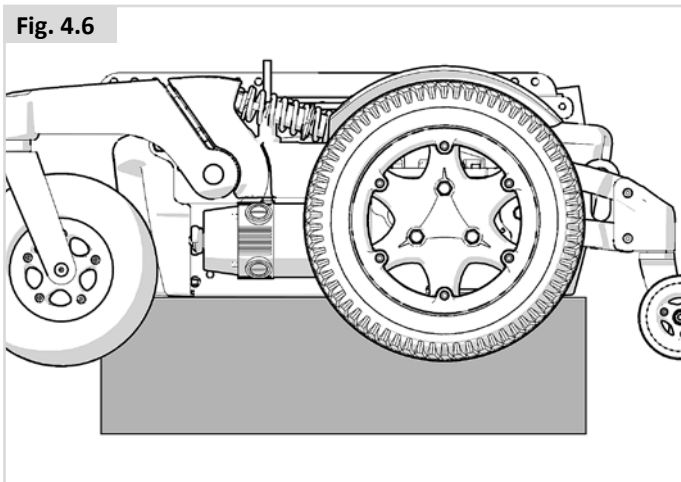
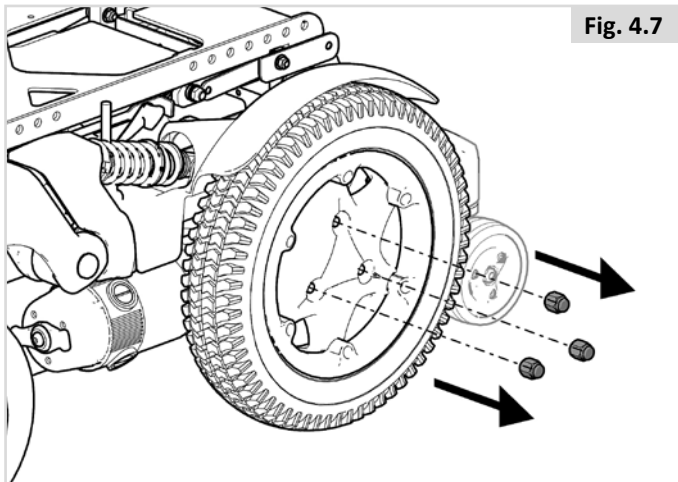


Fig. 4.7



3. Dégagez le cache de l'amortisseur. Pour cela, enfoncez la partie inférieure du cache et tirez le cache par le haut (Fig. 4.8).

4. Dévissez l'écrou M8 et retirez le boulon M8x45 qui retient la partie supérieure de l'amortisseur (Fig. 4.9).

Fig. 4.8

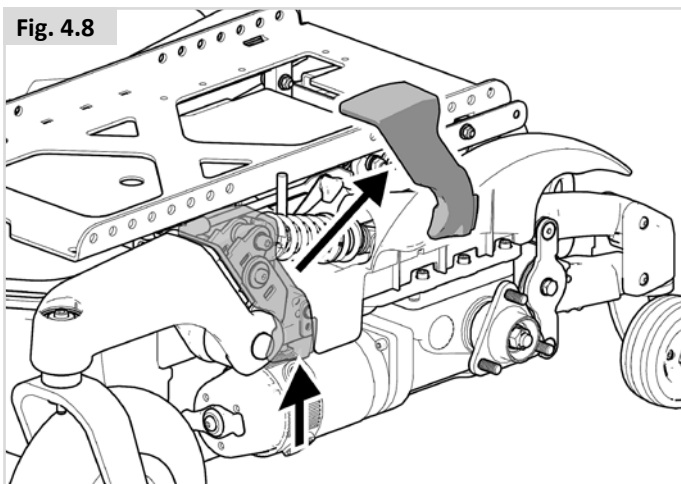
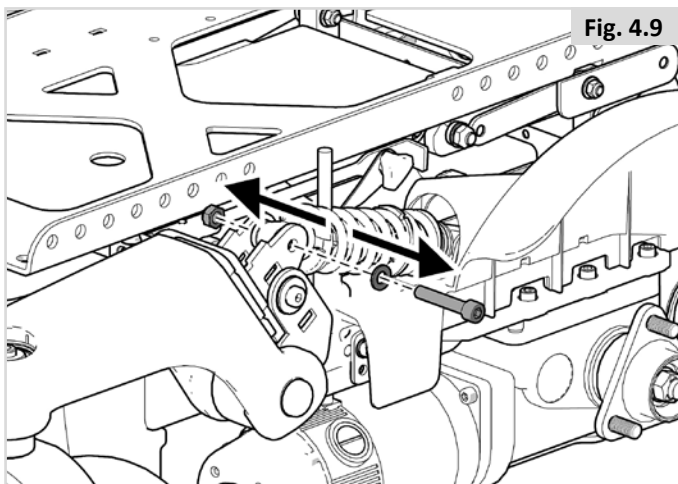


Fig. 4.9



5. Retirez les 2 boulons M6 de retenue du garde-boue (Fig. 4.10).

6. Manipulez l'amortisseur et le garde-boue, puis séparez le garde-boue (Fig. 4.11).

Fig. 4.10

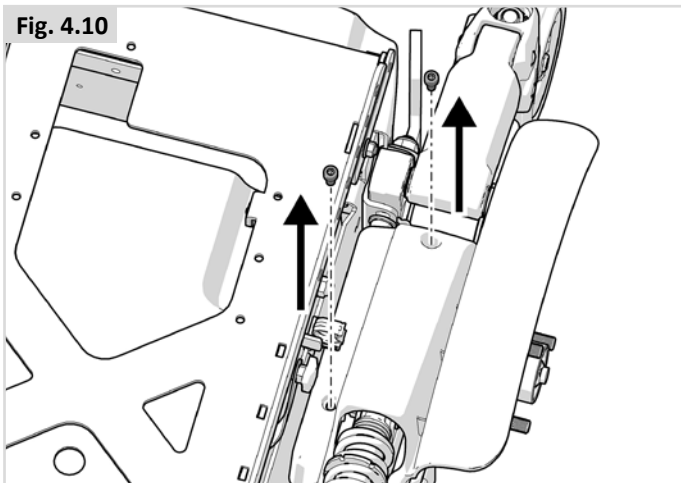
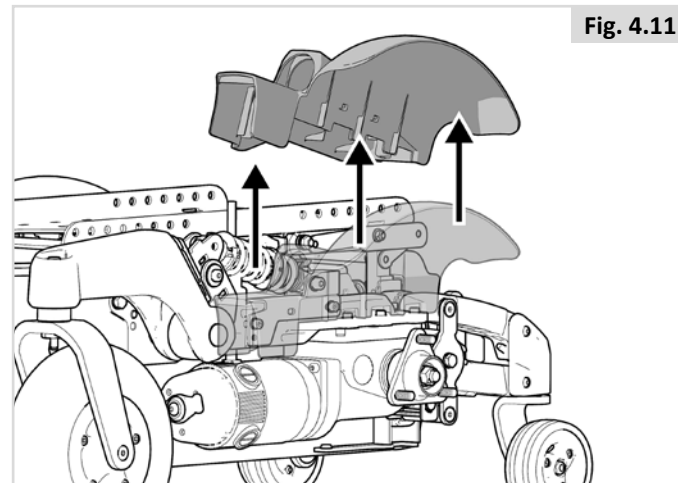
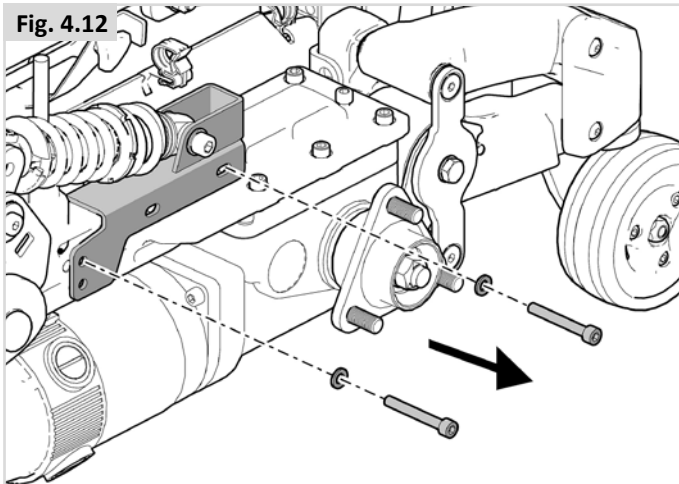


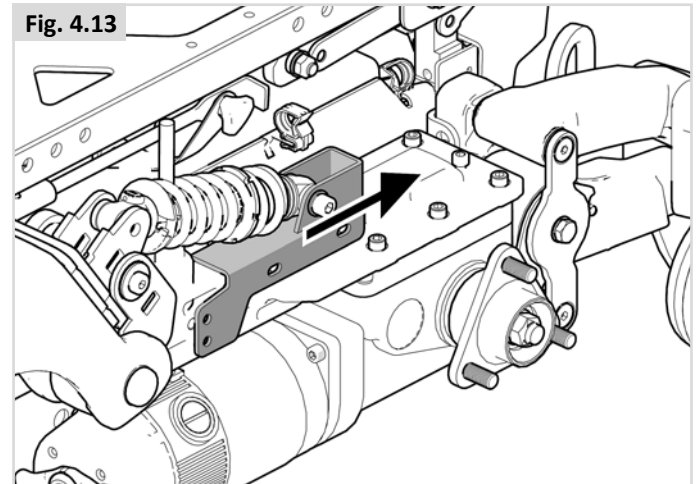
Fig. 4.11



7. Dévissez les 2 écrous et retirez les boulons M6x45 (Fig. 4.12).



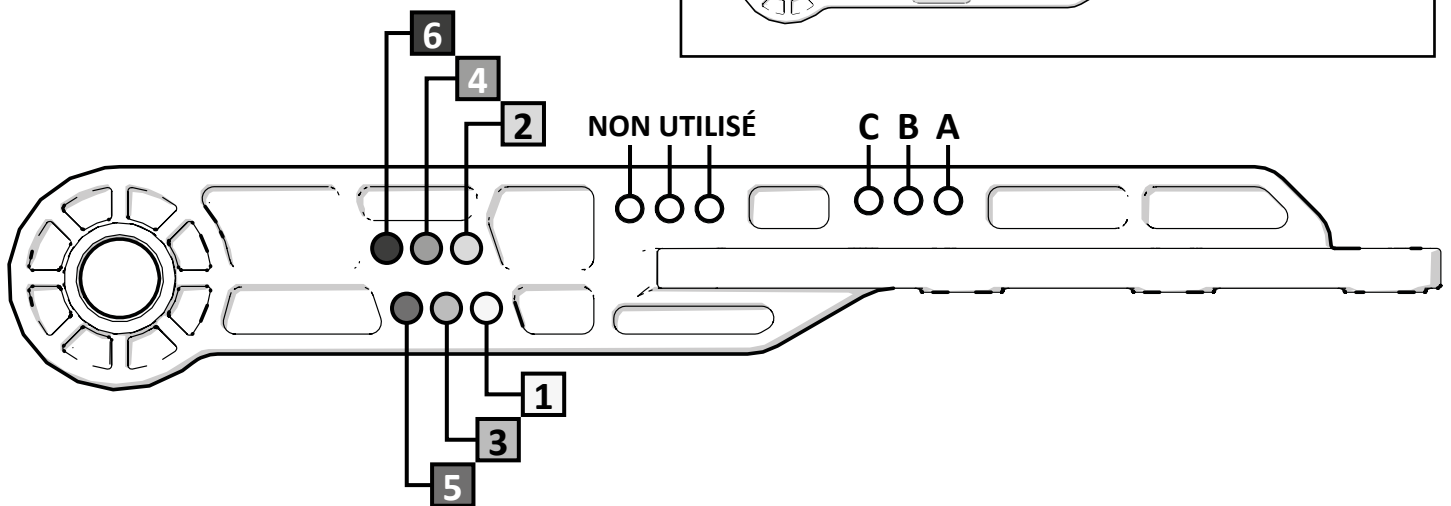
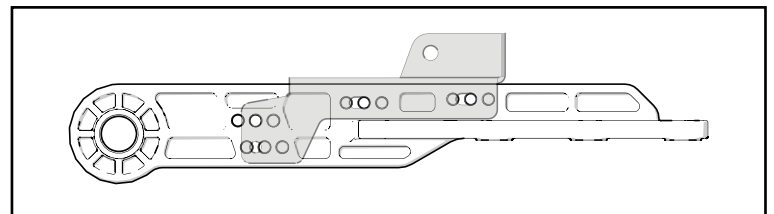
8. Ajustez la position du support et remontez les éléments en suivant la procédure dans le sens inverse (Fig. 4.13).



ATTENTION !

Inspectez la roulette stabilisatrice afin de déterminer s'il elle nécessite d'être ajustée. Le cas échéant, suivez les consignes énoncées à la section 4.6 Réglage des roulettes stabilisatrices.

RÉGLAGES DU COUPLE AU REMONTAGE		
Palier	Element	Paramètre
5	Écrou M8 et boulon M8x45	22 Nm
6	Étape 6 – Boulons M6	3 Nm
8	Boulon M6 et M6x45	9 Nm



DOSSIER MANUEL			
RÉGLAGE	PROFONDEUR D'ASSISE [mm]	PARAMÈTRE	
1	400	1	A
4	430	1	A
5	440	1	A
7	460	1	A
9	480	1	A
10	490	2	A
13	520	2	A
17	560	2	A

DOSSIER ELECTRIQUE			
RÉGLAGE	PROFONDEUR D'ASSISE [mm]	PARAMÈTRE	
1	400	1	A
4	430	1	A
5	440	1	A
7	460	2	A
9	480	2	A
10	490	2	A
13	520	2	A
17	560	3	B

5.0 Utilisation du fauteuil roulant

DANGER !

- Les paramètres du boîtier de commande devront éventuellement être ajustés.
- Contactez immédiatement votre revendeur agréé afin de faire contrôler la configuration de vos paramètres si vous remarquez un changement dans votre capacité à :

1. Contrôler le joystick
2. Maintenir votre torse droit
3. Eviter les obstacles.

5.1 Vérification du fauteuil roulant avant utilisation


Procédez aux contrôles de routine quotidiens suivants avant chaque utilisation :

ATTENTION !


Vérification des roues et des pneus

- Les pneus sont-ils suffisamment gonflés (Chapitre 8.2).

Vérification des batteries

- Avant d'utiliser votre fauteuil roulant pour la toute première fois, vous devrez charger les batteries pendant 24 heures.
- Les batteries sont-elles suffisamment chargées ? Le témoin vert de l'indicateur doit être allumé.  Boîtier de commande

Vérification des feux et des clignotants

- Avant l'utilisation en extérieur de nuit, assurez-vous que les feux et les clignotants fonctionnent correctement et que les lentilles sont propres.  Boîtier de commande.

Vérification du joystick

- Une fois le manipulateur éteint, vérifiez que le joystick ne soit ni tordu ni endommagé et qu'il se replace au centre quand vous le poussez et le relâchez.

Vérification du levier de débrayage

- Vérifiez que le levier de débrayage est en position 'Conduite'. (Chapitre 5.8).

Vérification de l'assise

- Vérifiez que tous les coussins sont en place.
- Vérifiez que le dossier est correctement monté et réglé.
- Inspectez visuellement le fauteuil pour vérifier que les repose-jambes, accoudoirs, etc. sont bien positionnés et solidement fixés au fauteuil et que toutes les fixations sont suffisamment serrées.
- Vérifiez que les boulons de l'interface d'assise sont bien serrés (Fig. 5.1).

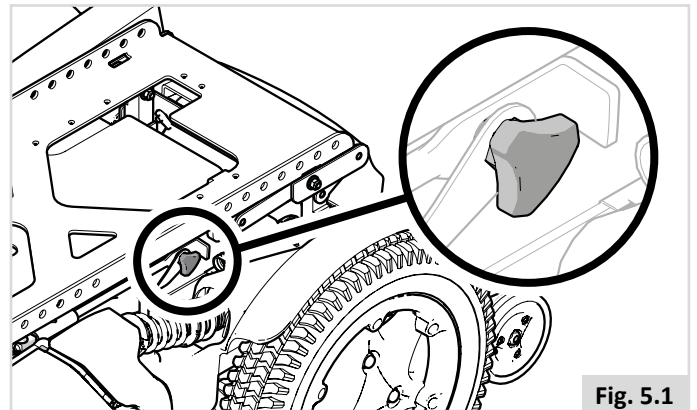


Fig. 5.1

Vérification des vêtements

- Lorsque vous utilisez le fauteuil roulant, vérifiez que vos vêtements (s'ils sont longs et amples) ne risquent pas de se prendre dans les organes mobiles/rotatifs du fauteuil. Avant chaque départ, vérifiez que vos vêtements ou accessoires n'entrent pas en contact avec les roues ou tout autre organe mobile et/ou rotatif.

Vérification des conditions météorologiques

- L'hiver, les batteries ont une autonomie réduite. Pendant les périodes de gèle léger, l'autonomie des batteries se situe à environ 75 % de la capacité normale. Lorsque les températures descendent en dessous de -5 °C, l'autonomie est ramenée à environ 50 %, réduisant ainsi les distances pouvant être parcourues.


5.2 Monter et descendre du fauteuil

Sunrise Medical vous recommande de consulter un spécialiste qui vous aidera à développer une technique personnelle pour monter et descendre d'un fauteuil roulant, frontalement ou latéralement. Vous éviterez ainsi tout risque d'accident et d'éventuelles blessures.

Préparation pour un transfert vers l'avant :




Il est dangereux de monter et de descendre du fauteuil lorsque vous êtes seul. Cela nécessite un bon équilibre et de l'agilité. Sachez qu'à chaque fois que vous montez ou descendez de votre fauteuil, il y a toujours un bref instant où celui-ci ne se trouve pas sous vous.

Pour de plus amples renseignements et avertissements reportez-vous au Système d'assise .

5.3 Conduite du fauteuil roulant



- Il incombe à l'utilisateur du fauteuil roulant de respecter les réglementations locales en vigueur relatives à la sécurité.

Les fauteuils roulants électriques sont actionnés au moyen d'un boîtier de commande. Un manuel spécifique est consacré au boîtier de commande et livré avec le fauteuil roulant ( Boîtier de commande).

1. Allumez le boîtier de commande.
2. Réglez la limite de vitesse maximale.
3. Actionnez le joystick dans la direction que vous souhaitez emprunter.
4. Plus vous poussez le joystick vers l'avant, plus la vitesse augmente.

Rétroiseur



- Afin d'éviter de blesser les gens autour de vous, n'oubliez pas de prendre en compte le dépassement des rétroiseurs en dehors de l'espace du fauteuil qui pourrait blesser des gens au moment où vous les croisez.
- Le rétroiseur doit être utilisé sur le modèle à vitesse supérieure à 6 km/h sur les routes conformément à la Loi locale.
- Toujours s'assurer que lorsque vous utilisez les rétroiseurs, ceux-ci sont propres et ne sont pas cassés afin de pas à gêner votre visibilité.

Utilisation sur la route

Soyez très attentif à la circulation sur la route.

DANGER !

- N'oubliez pas que les chauffeurs de voitures ou de camions ne s'attendent certainement pas à voir un fauteuil roulant descendre d'un trottoir en marche arrière.
- S'il y a le moindre danger, ne prenez pas le risque de traverser la route.
- Traversez toujours les routes le plus rapidement possible.
- Ne conduisez pas sur des objets qui pourraient crever les pneus.
- Assurez-vous qu'il n'y a pas d'objet dans la trajectoire qui pourrait se loger dans le mécanisme de votre fauteuil ou dans les rayons des roues arrière. Ceci pourrait entraîner un arrêt soudain du fauteuil.
- Passer sur des bouches d'égout ou des grilles risque de bloquer les roulettes ou les roues de votre fauteuil roulant, entraînant un arrêt brutal du fauteuil.

Conditions défavorables :

Vous devez savoir que lorsque vous utilisez votre fauteuil dans des conditions défavorables, telles que sur des surfaces couvertes d'herbe mouillée, de boue, givre, neige ou sur des surfaces glissantes, l'adhérence et la traction de votre fauteuil peuvent être réduites.

DANGER !

- Nous vous recommandons de toujours agir avec la plus grande vigilance dans ces conditions, surtout en pentes, car votre fauteuil roulant pourrait perdre de sa stabilité ou glisser et vous blesser.
- Évitez de porter des vêtements amples ou longs lorsque vous utilisez un fauteuil roulant électrique. Les organes mobiles, comme les roues, peuvent être potentiellement dangereux, voire mortels, si un vêtement vient à se prendre dedans.

REMARQUE :

Des variations climatiques extrêmes peuvent déclencher le mécanisme d'auto-protection du système de commande. Si tel est le cas, ce dernier s'arrêtera provisoirement afin d'éviter d'endommager des composants électroniques de votre fauteuil.

5.4 Virages

DANGER !

Il est déconseillé de prendre des virages prononcés à vive allure. Avant de négocier un virage, réduisez la vitesse à l'aide de votre joystick ou commande de vitesses. Ceci est primordial surtout lorsque vous vous trouvez dans une pente. A défaut, vous risquez de faire basculer le fauteuil roulant.

AVERTISSEMENT !

Pensez à utiliser vos clignotants lorsque vous changez de direction.

5.5 Freinage et arrêt d'urgence

Il existe trois possibilités pour arrêter votre fauteuil roulant.

- Le moyen le plus sûr et le plus simple d'arrêter votre fauteuil est de lâcher le joystick. Cela arrêtera le fauteuil de façon contrôlée.
- Tirer le joystick vers l'arrière arrêtera le fauteuil brutalement et rapidement.
- Éteindre le système de commande pendant que le fauteuil est en mouvement aura également pour effet d'arrêter le fauteuil roulant.

AVERTISSEMENT !

- N'éteignez le système de commande que dans des situations d'urgence car l'arrêt du fauteuil est très brutal.
- Ne tentez jamais de ralentir ou de stopper le système à l'aide des freins d'immobilisation (le cas échéant). Les freins d'immobilisation sont destinés à empêcher tout déplacement indésirable du fauteuil lorsque celui-ci est déjà immobilisé. Ils ne sont pas destinés à freiner un fauteuil en mouvement.

5.6 Utilisation en pente

Votre fauteuil roulant a été conçu et testé pour être utilisé sur une pente maximale de :

Q500 M: 6° (10,5%) en configuration standard.

Q500 F: 6° (10,5%) en configuration standard.

Q500 R : 10° (17,6%) en configuration standard.

Q500 H : 10° (17,6%) en configuration standard.

Vous pouvez cependant ajuster votre position avec le lift, le mécanisme de bascule d'assise, le mécanisme électrique d'inclinaison du dossier ou le repose-jambes central électrique ou ces options combinées.

DANGER !

- Les différents réglages du module lift/basculer d'assise et du repose-jambes peuvent modifier le centre de gravité du fauteuil. et dans certains cas, altérer la stabilité du fauteuil et entraîner son basculement accidentel. Si les réglages du fauteuil sont portés aux valeurs extrêmes, il convient d'effectuer une évaluation des risques.
- Les distances d'arrêt en pente peuvent être considérablement plus longues que sur un terrain plat.

DANGER !

- Dans certaines circonstances votre fauteuil roulant peut perdre de sa stabilité.
- Avant de monter ou de descendre une pente ou un trottoir, soyez très prudent lorsque vous utilisez les options de transfert de poids (par ex. inclinaison ou verticalisation électrique) de l'assise et/ou de votre corps pour faire contrepoids.
- Pour améliorer la stabilité penchez-vous vers l'avant lors de la montée d'une côte, avec l'assise et le dossier en position droite.
- Inversement, adoptez une position droite lorsque vous vous déplacez vers l'avant, en descente et/ou inclinez le siège vers l'arrière.
- Avant de monter ou de descendre une pente, il est vivement recommandé de ramener le siège et le dossier en position neutre. Le non-respect de cette recommandation pourrait déstabiliser votre fauteuil roulant.
- Si vous ne connaissez pas le comportement de votre fauteuil en pente, n'essayez pas de monter ou de descendre une pente/un trottoir. Empruntez un autre chemin.

Pentes : montées :

AVERTISSEMENT !

- Lorsque vous montez une pente, vous ne devez pas vous arrêter.
- Dirigez-vous en actionnant délicatement le joystick vers l'avant tout en l'inclinant légèrement vers la droite ou la gauche pendant le déplacement.
- Si vous devez vous arrêter dans une montée, redémarrez tout doucement.
- Si nécessaire, penchez-vous vers l'avant.

Pentes : descentes :

Dans les descentes, il est important de ne pas laisser le fauteuil gagner trop de vitesse et dépasser sa vitesse normale.

DANGER !

- Déplacez-vous lentement dans les pentes descendantes (vitesse inférieure à 5 km/h) et n'hésitez pas à vous arrêter si vous avez la moindre appréhension.
- Si le fauteuil prend trop de vitesse, placez le joystick en position neutre pour le ralentir ou l'arrêter.
- Redémarrez et ne laissez pas le fauteuil accélérer au-delà de la vitesse qui vous convient.

REMARQUE :

- Le boîtier de commande est doté d'un système logique qui permettra de compenser lors de l'utilisation du fauteuil en pente ou en montée. Il s'agit d'une caractéristique de sécurité supplémentaire dont est équipé votre fauteuil. Par ailleurs, vous pouvez bien entendu contrôler la vitesse du fauteuil en utilisant le régulateur de vitesse.

5.7 Obstacles et trottoirs :

DANGER !

- Ne descendez jamais d'un trottoir en marche arrière.
- N'essayez pas de monter ou de descendre des marches, ni d'emprunter les escalators. Cela est très dangereux et vous pourriez vous blesser et endommager votre fauteuil roulant. Ce fauteuil a été conçu pour monter un trottoir ou une marche à la fois.
- Il est recommandé aux utilisateurs ayant une instabilité posturale au niveau du tronc, de porter un système de retenue afin de maintenir le haut de leur corps en position droite lorsqu'ils montent ou descendent des rampes et des trottoirs ou lorsqu'ils franchissent des obstacles.

Montée des trottoirs :

Toujours se présenter à 90° devant un trottoir (Fig. 5.2).

- Approchez-vous du trottoir ou de la marche, de face, à un angle de 90°.
- Avancez lentement et sans à-coup.
- Arrêtez le fauteuil dès que les roulettes touchent la bordure du trottoir.
- Accélérez pour élever l'avant du fauteuil et monter sur le trottoir ou la marche, puis accélérez encore un peu de sorte que les roues motrices puissent monter sur le trottoir ou la marche sans à-coup.
- Dans la mesure du possible, veillez à maintenir le joystick en position Marche avant, sans dévier.

La hauteur maximale des obstacles que le fauteuil peut franchir est de :

Q500 M	50 mm
Q500 F	70 mm
Q500 R	80 mm
Q500 R + monte-trottoir	100 mm
Q500 H	85 mm

La procédure et la vitesse d'approche peuvent varier selon le type de conduite et les roulettes de votre fauteuil.

Descendre d'un trottoir.

DANGER !

Avancez lentement et prudemment jusqu'à ce que les deux roues avant se trouvent sur le bord du trottoir, à un angle à 90°.

Descendez aussi lentement que possible du trottoir avec les roues motrices. Une fois que vous avez commencé à descendre du trottoir, ne vous arrêtez pas. Vous vous sentirez plus en sécurité si vous pouvez vous pencher en arrière, mais si cela n'est pas possible, ne vous inquiétez pas car votre fauteuil est stable. et dans la mesure où vous respectez les limites indiquées, vous serez en sécurité.

Toutes les options d'assise électriques doivent être désactivées et en position neutre. Vous devrez éventuellement régler vos repose-jambes électriques afin d'avoir assez de place pour monter ou descendre du trottoir.

Il est recommandé d'utiliser la ceinture sous-abdominale lorsque vous descendez d'un trottoir. Pour une protection accrue, il est recommandé d'équiper tous les fauteuils roulants de repose-jambes.

AVERTISSEMENT !

Avec un fauteuil RMP, il sera être préférable de descendre les trottoirs en marche arrière. Il est cependant conseillé de procéder lentement en prêtant attention à la circulation et à l'environnement ambiant. Il est également recommandé de se faire assister pour la réalisation de cette procédure. Ne pas descendre des trottoirs de plus de 80 mm de haut.

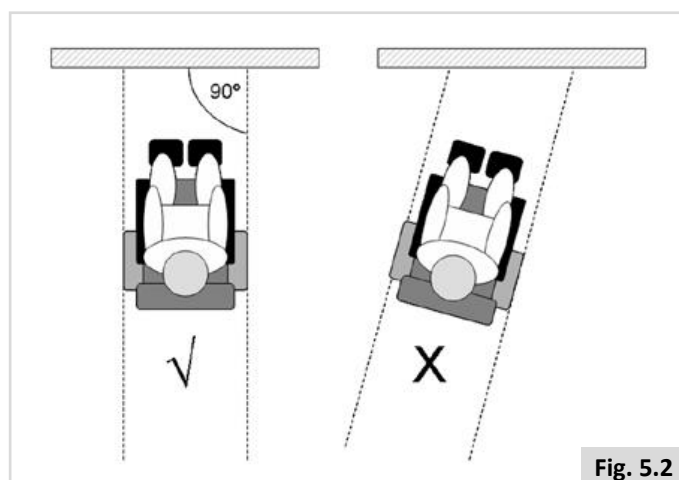


Fig. 5.2

5.8 Pousser le fauteuil roulant

Le fauteuil roulant peut également être poussé. Pour ce faire, les moteurs doivent être débrayés à l'aide du levier de débrayage. Cette caractéristique, pensée pour les accompagnateurs, sert également de levier de débrayage d'urgence.

Le levier de débrayage possède 2 positions

1. Pour la conduite du fauteuil : (Fig. 5.3).

Position 'Conduite' : Tournez le levier de sorte que le levier situé du côté de la roue motrice soit orienté vers le haut.

2. Pour le débrayage des moteurs : (Fig. 5.4 - Fig. 5.5).

Position 'Poussée' : Tournez le levier de sorte que le levier situé du côté de la roue motrice soit orienté vers le bas.

DANGER !

- Le levier de débrayage doit toujours être actionné par l'accompagnateur, jamais par l'utilisateur lui-même.
- Ne laissez jamais un fauteuil en position 'Poussée' sans surveillance avec son utilisateur à son bord.
- Ne placez jamais le levier en position 'Poussée' quand vous êtes en pente. Lorsque le levier de débrayage est placé sur 'Poussée', le frein de stationnement automatique est désactivé. Le fauteuil pourrait alors reculer dans la pente.
- Le frein de stationnement automatique n'est activé que lorsque le levier est en position 'Conduite'.
- Dès que le fauteuil n'est plus poussé par un accompagnateur, il convient de remettre le levier de débrayage en position 'Conduite'.
- Pour pouvoir pousser le fauteuil manuellement, vous devez débloquer les freins moteurs.
- N'activez ou ne désactivez les freins moteurs que lorsque votre fauteuil est éteint.
- Avant de débloquer les freins moteurs, assurez-vous de bien contrôler le fauteuil. Une fois qu'ils sont débloqués, le fauteuil n'a plus de frein.
- Débloquez les freins moteurs lorsque le fauteuil se trouve sur une surface plane.
- Poussez le fauteuil à l'aide des poignées uniquement. Elles vous permettent de contrôler fermement l'arrière du fauteuil pour éviter les risques de basculement.
- Vérifiez que les poignées ne tournent pas dans le vide et ne glissent pas.

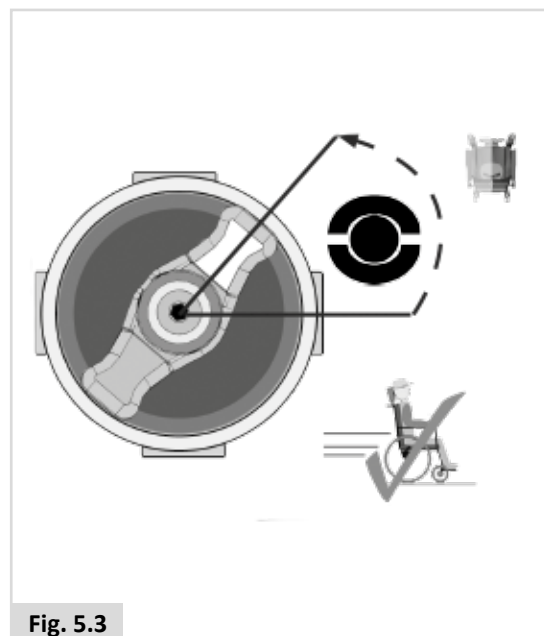


Fig. 5.3

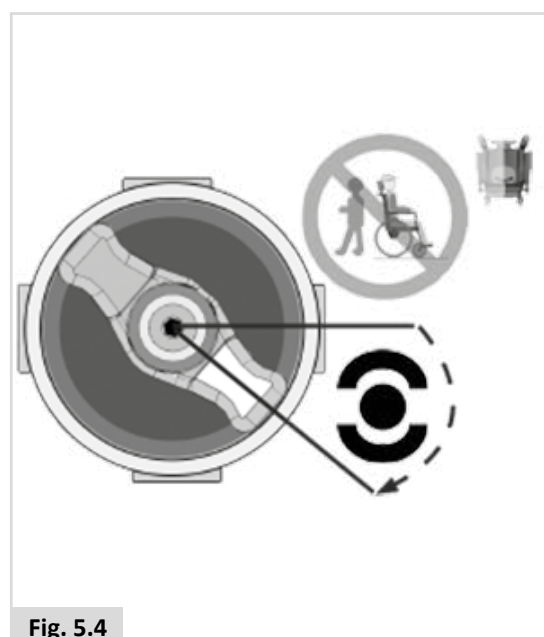


Fig. 5.4

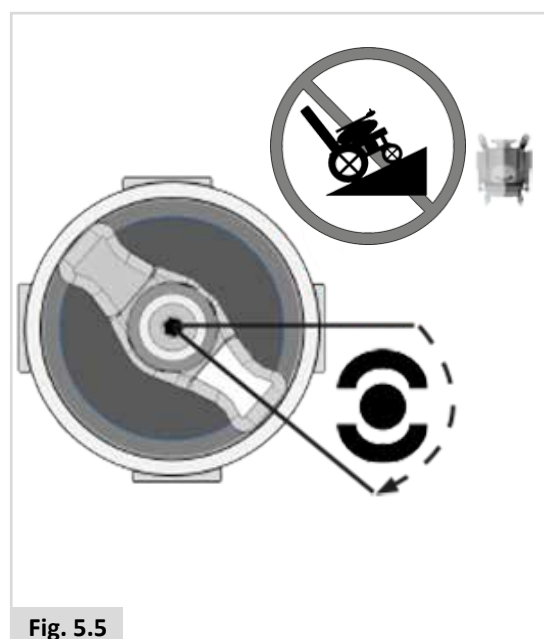




Fig. 5.5

5.9 Options d'assise (électriques)

Le fauteuil peut être équipé des options mécaniques et/ou électriques suivantes pour ajuster votre position d'assise. Ces options peuvent être actionnées sans utiliser d'outils.

Options d'assise électriques (Fig. 5.6 - Fig. 5.8).

Vous trouverez les consignes relatives aux options d'assise électriques dans le  Boîtier de commande + .

1. Option de bascule d'assise électrique
2. Option du lift électrique
3. Option d'inclinaison de dossier électrique
4. Option repose-jambes électriques

Le fauteuil roulant peut être équipé d'une fonction qui permet de conduire le fauteuil électrique jusqu'à 4,5 km/h lorsque l'assise est surélevée, cette fonction est appelée C-Me. Pour obtenir des conseils sur les limites de poids de l'utilisateur et la configuration du fauteuil recommandée lors de l'utilisation du C-Me, veuillez consulter votre revendeur agréé Sunrise Medical. **Remarque :** Le poids de l'utilisateur est limité à un maximum de 136 kg en présence de l'option C-Me.

DANGER !

- L'utilisation des options d'assise électriques peut influencer sur la stabilité du fauteuil.
- Actionnez les options d'assise électriques uniquement lorsque le fauteuil se trouve sur une surface plane. Ne tentez jamais d'actionner une option d'assise électrique lorsque le fauteuil se trouve en pente.
- Veillez à ne pas vous coincer les doigts ou les vêtements dans les organes mobiles. Les mécanismes électriques de Sunrise Medical présentent un débattement important. L'utilisateur doit tenir compte de son environnement lorsque les organes mobiles sont actionnés.
- Soyez vigilant lorsque vous vous déplacez en position d'assise basculée, élevée ou inclinée.
- Ne tentez jamais d'actionner une option d'assise électrique pendant le déplacement.
- Ne tentez pas d'actionner les options de lift ou de bascule d'assise en présence d'enfants.
- La programmation permet d'inverser la direction de toutes les fonctions d'assise électriques, assurez-vous de savoir dans quelle direction l'assise va se déplacer avant d'actionner la fonction.
- À noter que le module lift/basculé d'assise présente un risque de pincement de certaines parties du corps. Pour éviter tout risque de blessure, lorsque vous activez le module lift/basculé d'assise, éloignez vos mains, vos pieds, vos vêtements et toute autre partie du corps susceptible d'être pincée.
- Ne placez jamais votre siège en position surélevée lorsque le fauteuil se déplace sur une rampe ou en pente. Avant de négocier une pente ou une côte, ramenez le fauteuil en position d'assise normale, avec le dossier à la verticale.
- Ce système électrique a été conçu pour réduire automatiquement la vitesse maximale de conduite et pour activer le mode Ralenti et/ou mode C-Me lorsque certaines limites d'options d'assise électriques sont atteintes. Selon la configuration du fauteuil, il peut exister plusieurs vitesses en mode Ralenti et/ou mode C-Me.
- Avant d'utiliser votre fauteuil en mode lent et/ou C-Me, lisez tous les avertissements et consignes liés à cette fonctionnalité. Ils vous aideront à comprendre comment réduire les risques de chute ou de basculement et comment identifier les conditions environnementales qui pourraient affecter votre sécurité lorsque vous conduisez alors que le fauteuil fonctionne à vitesse lente et/ou en mode C-Me.
 1. Lorsque vous conduisez en mode lent à l'intérieur ou à l'extérieur, le fauteuil ne doit être utilisé que sur des surfaces plates, planes et dures.
 2. Il ne faut jamais tenter de conduire en mode lent sur des terrains inégaux comme les graviers, l'herbe, les surfaces bosselées, les chaussées inégales ou les pentes.
 3. Ne surélevez JAMAIS l'assise lorsque le fauteuil est utilisé à proximité de l'un des types de terrain énumérés ci-dessus, ou sur une surface irrégulière.

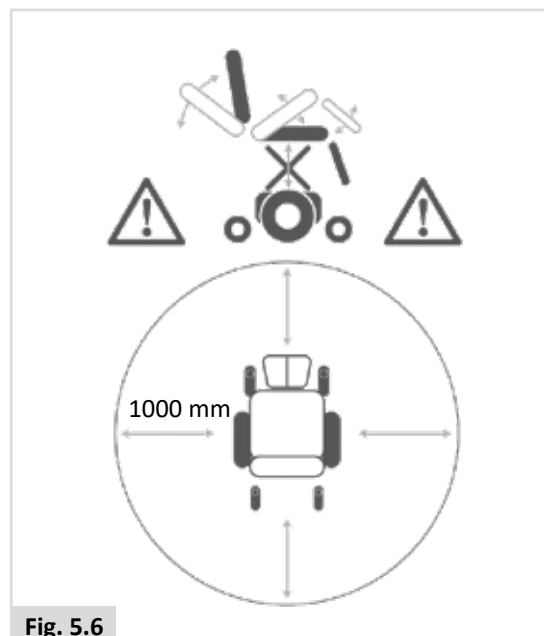


Fig. 5.6



Fig. 5.7

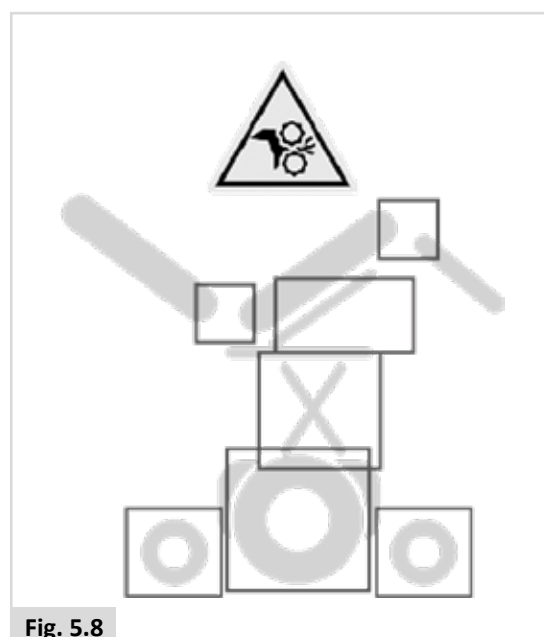


Fig. 5.8

6.0 Batteries, recharge et autonomie

6.1 Batteries

Les batteries sont la source d'énergie de pratiquement tous les véhicules modernes de mobilité fabriqués aujourd'hui. La conception des batteries utilisées pour les véhicules de mobilité est radicalement différente de celles utilisées pour démarrer les voitures. Les batteries de voiture sont conçues pour produire une grande quantité d'énergie sur une courte période, tandis que les batteries de mobilité (souvent appelées batteries à décharge poussée) libèrent leur énergie uniformément et sur une longue période. Ainsi, en raison des faibles volumes de production et des exigences technologiques de plus en plus rigoureuses, les batteries de mobilité coûtent beaucoup plus cher.

Généralement, les véhicules de mobilité sont équipés de deux batteries de 12 volts, soit une tension totale de 24 volts. La capacité des batteries, (c'est-à-dire la puissance disponible) s'exprime en ampères par heure, par exemple 70 amp/h. Plus le chiffre est élevé, plus la capacité, le poids et l'autonomie de la batterie sont élevés et plus la distance pouvant être parcourue est grande. Sunrise Medical n'équipe ces types de fauteuils roulants qu'avec des batteries sans entretien. Ce type de batterie transfère l'électrolyte appelé couramment « acide de remplissage », contenu dans le boîtier de la batterie. Comme son nom l'indique, cette batterie ne nécessite aucun entretien, si ce n'est de la recharger régulièrement. Ce type de batterie se laisse transporter en toute sécurité, sans risque de déversement d'acide. **De plus ces batteries sont autorisées à bord des avions, des bateaux et des trains.**

⚠ ATTENTION !

- N'utilisez pas des batteries de voiture pour votre fauteuil. Utilisez exclusivement des batteries sans entretien à décharge poussée.
- Lorsque les batteries sont usées, confiez-les à votre centre d'élimination spécialisé le plus proche.
- N'exposez jamais les batteries à une source de chaleur directe (comme par exemple, une flamme, ou un chauffage à gaz).
- Faites particulièrement attention à ne jamais faire tomber un objet métallique sur les batteries. Cela pourrait provoquer un court-circuit dans les batteries ou tout autre composant électrique, et causer une explosion. Lorsque vous manipulez les batteries, retirez tout objet personnel métallique que vous pouvez éventuellement porter.
- Renvoyez les batteries à Sunrise Medical ou au fabricant afin de les recycler, quand elles ne sont plus en état d'être chargées.
- Inspectez régulièrement les bornes des batteries afin de détecter toute trace éventuelle de corrosion. S'il y en a, nettoyez soigneusement les bornes et passez de la graisse sur les bornes. Il ne s'agit pas de graisse ordinaire, mais d'une graisse industrielle. Assurez-vous que l'écrou et le boulon des bornes, le clip de fixation du câble et le câble exposé sont complètement enduits de graisse.

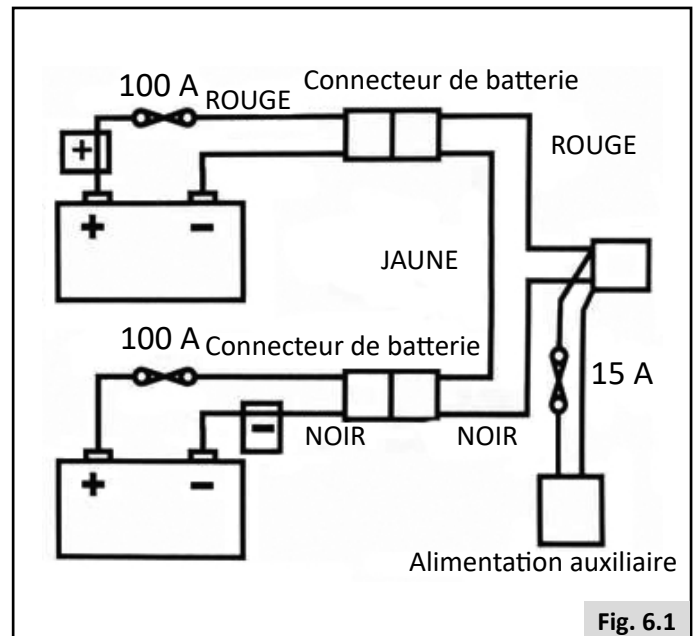


Fig. 6.1

⚠ DANGER !

- N'exposez jamais les batteries à une source de chaleur directe (comme par exemple, une flamme, ou un chauffage à gaz).
- Faites particulièrement attention à ne jamais faire tomber un objet métallique sur les batteries. Cela pourrait provoquer un court-circuit dans les batteries ou tout autre composant électrique, et causer une explosion. Lorsque vous manipulez les batteries, retirez tout objet personnel métallique que vous pouvez éventuellement porter.

⚠ DANGER !

- Vous ne devez en aucun cas manipuler les batteries vous-même. En cas de doute, n'hésitez pas à contacter votre revendeur agréé Sunrise Medical.
- Évitez le contact avec de l'acide sur les batteries dont l'extérieur est endommagé ou sur des batteries mouillées.
- L'acide de batterie peut causer des lésions cutanées et abîmer vos sols, vos meubles et votre fauteuil roulant.
- En cas de contact entre l'acide de batterie et la peau ou les vêtements, rincez immédiatement à l'eau savonneuse.
- En cas de contact entre l'acide de batterie et les yeux, lavez à grande eau froide pendant au moins 10 minutes et consultez un médecin immédiatement.
- L'effet de l'acide peut être neutralisé avec du bicarbonate de soude et de l'eau.
- Veillez à toujours maintenir les batteries en position verticale, surtout pendant le transport de votre fauteuil roulant.


Coupe-circuit

En cas de court-circuit, votre fauteuil est doté de plusieurs systèmes de sécurité intégrés permettant de protéger les circuits électriques, (Fig. 6.1).

1. Des liens fusibles de 100 A sont branchés aux harnais des batteries afin de protéger les batteries et le câblage.
2. Les fusibles de circuits auxiliaires 15 A pour les modules auxiliaires et pour l'alimentation du siège.

Pour les remplacer, contactez votre revendeur agréé Sunrise Medical, qui sera également en mesure de diagnostiquer l'anomalie d'origine.

6.2 Recharger les batteries :

 Chargeur de batteries : Lisez attentivement le manuel d'utilisation fourni avec le chargeur. Les procédures générales et les effets d'interférence avec le fauteuil et les batteries restent valides.



Consignes relatives à l'entretien des batteries


Vous trouverez ci-dessous diverses recommandations relatives à l'utilisation des batteries. Ces recommandations ont été convenues entre Sunrise Medical et le fabricant de batteries pour vous permettre d'optimiser la capacité de vos batteries. Le non-respect de ces consignes risque de nuire aux performances de votre véhicule de mobilité.

- N'utilisez qu'un chargeur Sunrise Medical agréé compatible avec le véhicule à recharger.
- Rechargez vos batteries toutes les nuits, indifféremment de l'utilisation faite de votre véhicule de mobilité pendant la journée.
- N'interrompez pas le cycle de recharge.
- Il est conseillé de laisser votre fauteuil branché au chargeur pendant les périodes de non-utilisation. Ceci n'endommagera pas les batteries, dans la mesure où le chargeur est lui-même branché au secteur. Ne laissez pas votre fauteuil branché au chargeur si lui-même n'est pas branché. Cela aura pour effet de finalement décharger vos batteries.
- Si vous n'utilisez pas votre fauteuil roulant pendant une période prolongée (plus de 15 jours) chargez entièrement vos batteries, puis débranchez le cordon d'alimentation de la batterie.
- Si vous ne rechargez pas les batteries, elles s'en trouveront endommagées et leur autonomie en sera réduite.
- Ne rechargez pas vos batteries durant la journée entre deux trajets. Attendez le soir pour effectuer une recharge complète pendant la nuit.
- En règle générale, les batteries ne nécessitant pas d'entretien sont plus longues à recharger que les batteries "humides" au plomb.
- Inspectez régulièrement les bornes des batteries afin de détecter toute trace éventuelle de corrosion. S'il y en a, nettoyez soigneusement les bornes et passez de la graisse sur les bornes. Il ne s'agit pas de graisse ordinaire, mais d'une graisse industrielle. Assurez-vous que l'écrou et le boulon des bornes, le clip de fixation du câble et le câble exposé soient complètement enduits de graisse.
- Le respect des conseils énumérés ci-dessus permettra de prolonger la durée de vie de vos batteries et les distances pouvant être parcourues, vous procurant ainsi un plus grand confort.

Connexion du chargeur de batterie

Procédure de connexion du chargeur et recharge

- Mettez le boîtier de commande hors tension.  Boîtier de commande:
- Branchez la prise arrondie du chargeur dans la fiche de recharge à l'avant du manipulateur.  Boîtier de commande :
- Branchez le chargeur au secteur et allumez-le.

Pour de plus amples informations sur le fonctionnement du chargeur, consultez les instructions fournies avec.  CHARGEUR DE BATTERIES. Selon le degré de décharge des batteries, il peut falloir jusqu'à 12 heures pour les recharger complètement.

DANGER !

- Assurez-vous d'avoir placé le cordon d'alimentation dans un endroit où personne ne risque de trébucher dessus et de l'abîmer.
- Ne posez pas les batteries sur le chargeur.
- Ne posez pas le chargeur sur une moquette ou toute autre surface molle. Posez-le toujours sur une surface rigide.
- N'utilisez pas le chargeur s'il a reçu un coup, s'il est tombé à terre ou s'il est abîmé. Apportez-le à un technicien qualifié.
- Ne placez jamais le chargeur directement au-dessus des batteries en état de charge : les gaz dégagés par les batteries créent de la corrosion et endommageront le chargeur.
- Ne chargez jamais une batterie gelée. Rares sont les batteries qui, si elles sont complètement rechargées, gèlent, mais l'électrolyte d'une batterie déchargée gèle à -9°C . Si vous pensez qu'une batterie est gelée, laissez-la complètement décongeler avant de la recharger.
- Ne faites jamais reposer le chargeur sur vos genoux pendant la recharge des batteries.
- Le chargeur chauffe pendant son fonctionnement et pourrait vous brûler.
- Ne démontez pas le chargeur : seul le fabricant est qualifié pour le réparer. Un assemblage incorrect pourrait entraîner une électrocution ou provoquer un incendie.
- Pour réduire les risques d'électrocution, débranchez le chargeur de la prise avant d'entreprendre toute opération d'entretien ou de nettoyage. Le mettre hors tension ne suffit pas.
- Ne fumez jamais et ne placez jamais les batteries ou le chargeur à proximité d'étincelles ou de flammes.
- Ne rechargez pas vos batteries à l'extérieur.
- Il est conseillé d'utiliser un détecteur de fumée dans la zone de recharge.

Chargeur de batteries

Le chargeur externe a été conçu pour recharger deux batteries gel de 12 volts connectées en série (= 24 V).

Les chargeurs sont dotés de caractéristiques prévenant tout risque d'accident susceptible de survenir à la suite d'un mauvais branchement des batteries, d'une surchauffe résultant d'un emplacement du chargeur dans un endroit contre-indiqué ou d'une recharge des batteries à une tension autre que celle indiquée.

La plupart des chargeurs sont dotés d'un dispositif antichoc électrique et il n'est pas nécessaire de les relier à la terre. Il se peut que certains autres chargeurs de plus grande capacité soient reliés à la terre, auquel cas cela sera clairement stipulé sur l'étiquette.

Si votre chargeur a été adapté pour un usage en Europe continentale, il sera équipé d'une prise à deux broches, laquelle ne contient pas de fusible. Dans ce cas précis, le fusible sera placé dans le panneau frontal du chargeur.

Informations spécifiques au pays : R.U.

La prise de courant anglaise à 3 fiches contient un fusible remplaçable. Le calibre de ce fusible est indiqué sur l'étiquette du chargeur.



- Comme avec tous les équipements électriques courants, remplacez toujours un fusible qui a sauté par un fusible du même type et du même calibre.
- L'installation de fusibles différents pourrait provoquer un incendie, endommager le chargeur ou empêcher le chargeur de fonctionner correctement.

6.3 Autonomie de votre véhicule :

Pour toute information sur la consommation énergétique, reportez-vous aux tableaux en fin de manuel.

La plupart des fabricants de véhicules de mobilité donnent une indication des distances pouvant être parcourues par leurs véhicules, que ce soit dans leurs brochures de vente ou dans les manuels d'utilisation. Les distances peuvent toutefois varier d'un fabricant à l'autre, même si la capacité des batteries est la même. Sunrise Medical prend soin de mesurer la distance que peuvent parcourir ses véhicules de manière cohérente et uniforme, mais des variations peuvent se produire en raison de la puissance du moteur et du poids total chargé.

Les chiffres sont calculés conformément à la Norme I.S.O. 7176. Section 4 : Consommation d'énergie des fauteuils roulants pour la détermination de la distance théorique.

Ce test a été réalisé dans des conditions contrôlées avec des batteries neuves et entièrement chargées, sur une surface plane et avec un utilisateur pesant 100 kg. Les chiffres avancés doivent être considérés comme des valeurs maximales théoriques et peuvent être inférieurs si l'on prend en compte l'un ou plusieurs des éléments énumérés ci-dessous :

- L'utilisateur pèse plus de 100 kg.
- Les batteries sont vieilles et leur état n'est pas parfait.
- Le terrain est difficile, à savoir très vallonné, en pente, boueux, avec des graviers, de la pelouse, de la neige ou de la glace.
- Le véhicule monte régulièrement sur les trottoirs.
- La température ambiante est soit très élevée, soit très basse.
- Mauvaise pression d'un ou de plusieurs pneus.
- Nombreux démarrages et arrêts consécutifs.
- Les moquettes très épaisses dans les maisons peuvent également avoir un impact sur l'autonomie de vos batteries.
- Activation des options nécessitant de l'énergie supplémentaire (c.-à-d. feux, vérins, etc.)

La puissance des batteries dont votre fauteuil Sunrise Medical est équipé devrait permettre de parcourir assez de distance pour satisfaire le style de vie de la majorité de la clientèle.

6.4 Garantie des batteries :

Les garanties couvrant les batteries sont soumises à des périodes définies par les fabricants. Cependant, la plupart des garanties sont sujettes à une disposition spécifique relative à l'usure. Par conséquent, si l'une de vos batteries venait à être complètement usée au bout de 6 mois, il vous sera impossible d'en obtenir une en faisant jouer la garantie.

6.5 Remplacement des batteries

Le fauteuil utilise deux batteries sèches inversables de type gel de 12 V en série. Ces batteries sont scellées et ne requièrent aucun entretien.

Le remplacement et la révision des batteries doivent être effectués par un spécialiste qualifié.

En cas de dysfonctionnement des batteries, contactez votre revendeur.

DANGER !

- Ne tentez pas de remplacer ou d'intervenir sur les batteries en l'absence de personnel formé et qualifié.

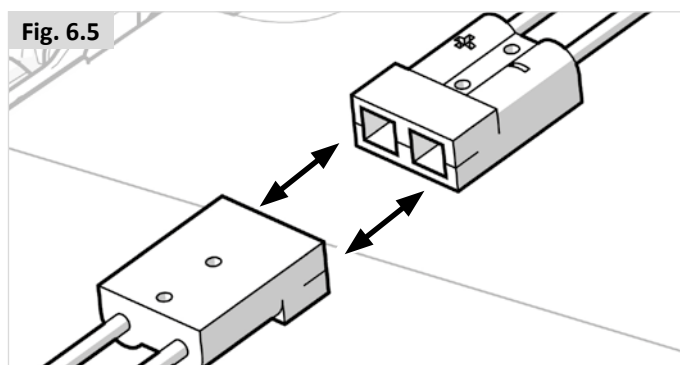
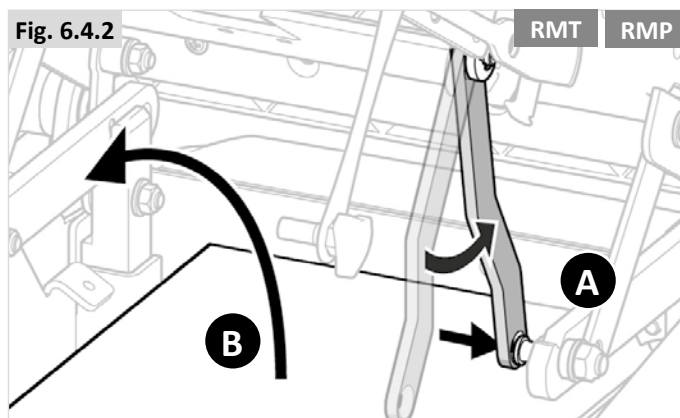
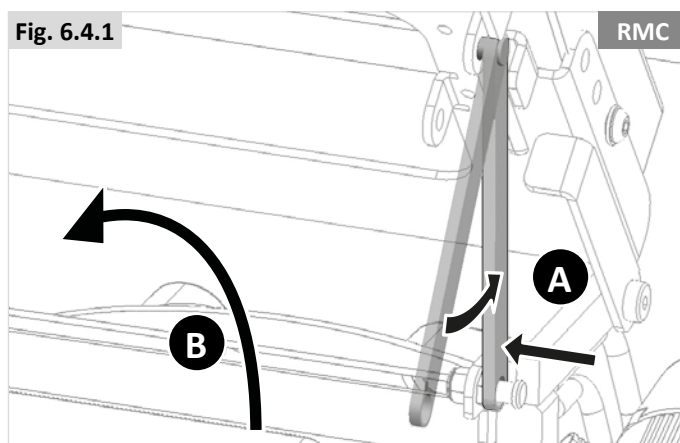
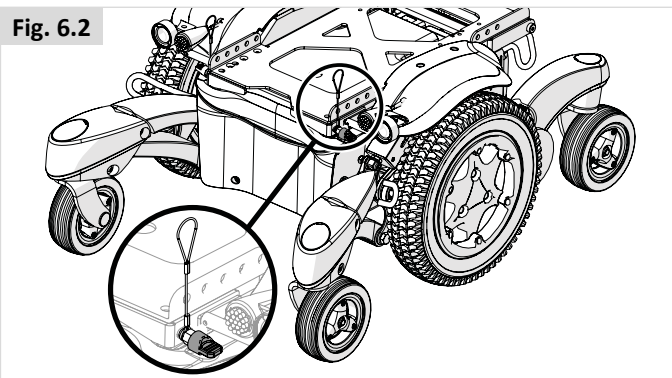
6.6 Déconnexion des batteries pour le transport aérien.

Les batteries se trouvent dans le bloc moteur situé en dessous du couvercle de batterie.

Pour débrancher les batteries du modèle roue motrice centrale :

- Dévissez les deux molettes filetées situées sous le châssis du siège qui relient le châssis d'assise à l'interface du module d'assise, (Fig. 6.2).
- Rabattez le châssis du siège vers l'arrière (Fig. 6.3).
- Vérifiez d'avoir bien placé la béquille du siège pour éviter qu'il ne se referme accidentellement (Fig. 6.4.1 - A). Vous devez vous assurer que la béquille rouge du siège est entièrement enfoncée sur la goupille.
- Soulevez le couvercle du compartiment à batteries (Fig. 6.4.1 - B).
- Débranchez les 2 connecteurs à broches Andersen de chaque batterie (Fig. 6.5).

Pour reconnecter les batteries, inversez la procédure décrite ci-dessus.



Débrancher les batteries de la base motrice traction, propulsion et hybride :

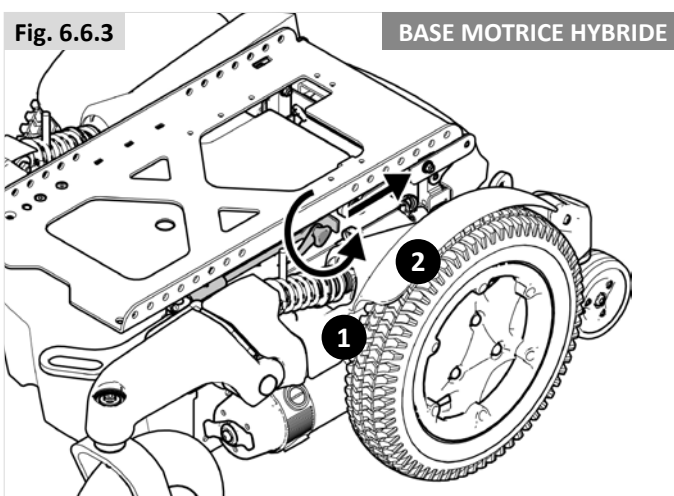
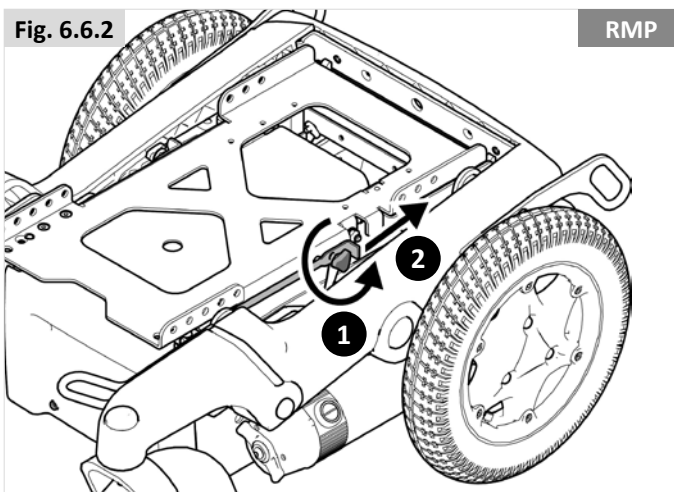
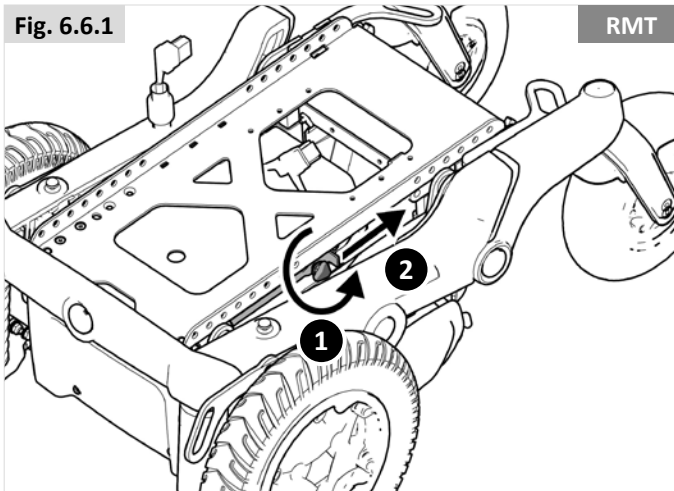
- Dévissez les deux molettes filetées situées sous le châssis du siège qui relient le châssis du siège à l'interface du module du siège (étape 1), et relâchez le levier (étape 2) (Fig. 6.6.1 - 6.6.3).
- Rabattez le châssis du siège vers l'arrière (Fig. 6.3).
- Avant de lâcher, vérifiez d'avoir bien placé la béquille du siège pour éviter qu'il ne se referme accidentellement (Fig.6.7 Avant - Fig.6.8 Arrière - Fig.6.9 Hybride).
- Une fois qu'il est immobilisé (Fig. 6.4.2 - A), soulevez le couvercle du compartiment à batteries, (Fig. 6.4.2 - B). Vous devez vous assurer que la béquille rouge du siège est entièrement enfoncée sur la goupille.
- Débranchez les 2 connecteurs à broches Andersen de chaque batterie (Fig. 6.5).

Pour reconnecter les batteries, inversez la procédure décrite ci-dessus.

AVERTISSEMENT :

Le retrait des batteries peut entraîner un changement du centre de gravité. Le retrait des batteries peut entraîner le basculement du fauteuil vers l'arrière. Sunrise Medical préconise de :

- Placer un support à l'arrière du fauteuil pour le maintenir en place. Il peut s'agir d'une chaise, d'une malle, etc.
- Commencez par soulever légèrement la batterie pour voir l'effet sur la stabilité du fauteuil.



⚠ AVERTISSEMENT :

Le retrait des batteries peut entraîner un changement du centre de gravité. Le retrait des batteries peut entraîner le basculement du fauteuil vers l'arrière. Sunrise Medical préconise de :

- Placer un support à l'arrière du fauteuil pour le maintenir en place. Il peut s'agir d'une chaise, d'une malle, etc.
- Commencez par soulever légèrement la batterie pour voir l'effet sur la stabilité du fauteuil.

Fig. 6.7

RMT

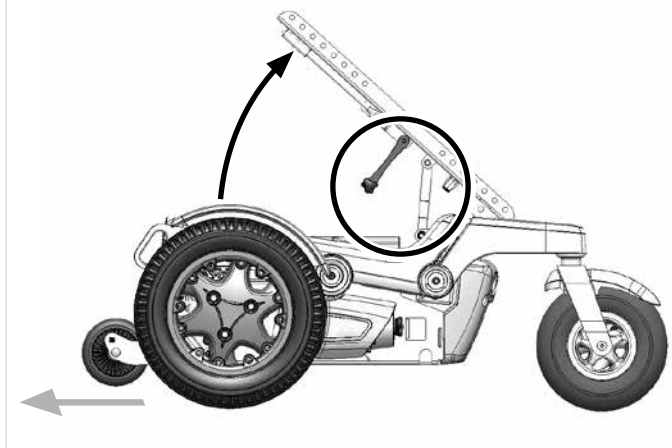


Fig. 6.8

RMP

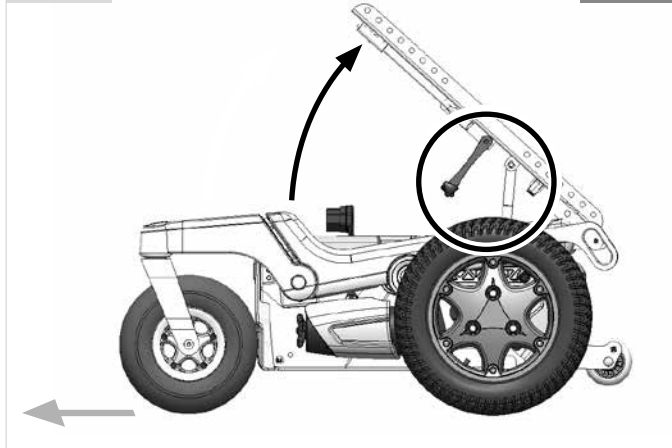
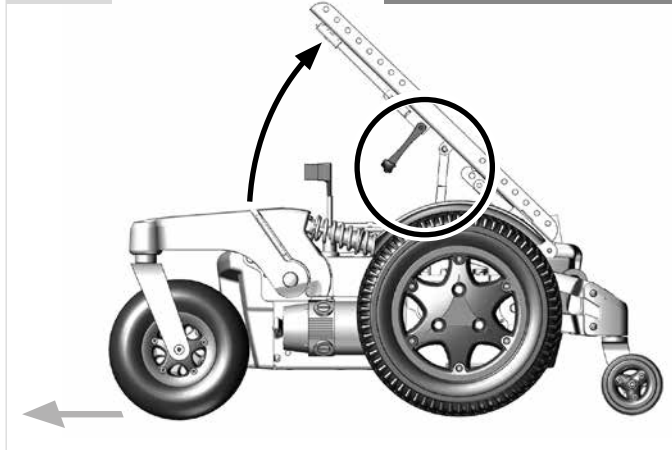


Fig. 6.9

BASE MOTRICE HYBRIDE



7.0 Transport

7.1 Transport du fauteuil à bord d'un véhicule motorisé

Monter et descendre du véhicule

⚠ DANGER !

- Faites vous confirmer que le véhicule est correctement équipé pour transporter un passager dans un fauteuil roulant, et assurez-vous que la méthode d'accès/de sortie est convenable pour votre type de fauteuil roulant. Le sol du véhicule doit être suffisamment résistant pour supporter le poids combiné de l'utilisateur, du fauteuil roulant et des accessoires.
- Introduire le fauteuil dans le véhicule à l'aide d'une rampe (ou d'un appareil de levage) suffisamment solide pour supporter le poids combiné du fauteuil et de l'utilisateur.
- Le fauteuil doit être arrimé face à la route. Ce fauteuil a été approuvé pour une utilisation à bord des véhicules motorisés, et satisfait les exigences relatives au transport face à la route et aux collisions frontales. Le fauteuil n'a pas été testé pour d'autres positions à bord d'un véhicule (Fig. 7.1).

⚠ ATTENTION !

- Suffisamment d'espace doit être disponible autour du fauteuil afin d'avoir un accès facile pour attacher, serrer et détacher le fauteuil roulant et le dispositif de retenue de l'occupant et les ceintures de sécurité.
- L'accès aux véhicules et la manœuvrabilité à bord d'un véhicule dépendent de la taille et du rayon de braquage du fauteuil ; les fauteuils de plus petites tailles et/ou les fauteuils ayant un rayon de braquage plus court se laissent généralement manœuvrer plus aisément et facilitent l'accès au véhicule et à une position orientée vers l'avant.

Arrimage du fauteuil à l'aide d'un système de retenue

Le fauteuil roulant a fait l'objet d'essais de collision conformément à la norme ISO 7176-19:2008 au moyen d'un système de retenue.

- Utilisez 6 sangles si le système à 4 points ne convient pas au poids du fauteuil roulant (2 à l'avant et 4 à l'arrière), conformément à la norme internationale ISO 10542-1. Les sangles standard sont testées jusqu'à 85 kg.
- Il est recommandé d'utiliser un système de retenue à 4 points prévu pour le poids total du fauteuil y compris avec les options (système ultra résistant) - 2 à l'avant et 2 à l'arrière, conformément à la norme internationale (Fig. 7.2 et 7.3) ISO 10542-1.

REMARQUE : Utilisez le système de retenue et de fixation conformément aux consignes fournies par le fabricant WTORS (1).

Explication :

1) WTORS : *Wheelchair Tie-down Occupant Restraint System* (Système de fixation et de retenue)

Angles recommandés pour les sangles d'arrimage (Fig. 7.2 - 7.3).

Fig. 7.1

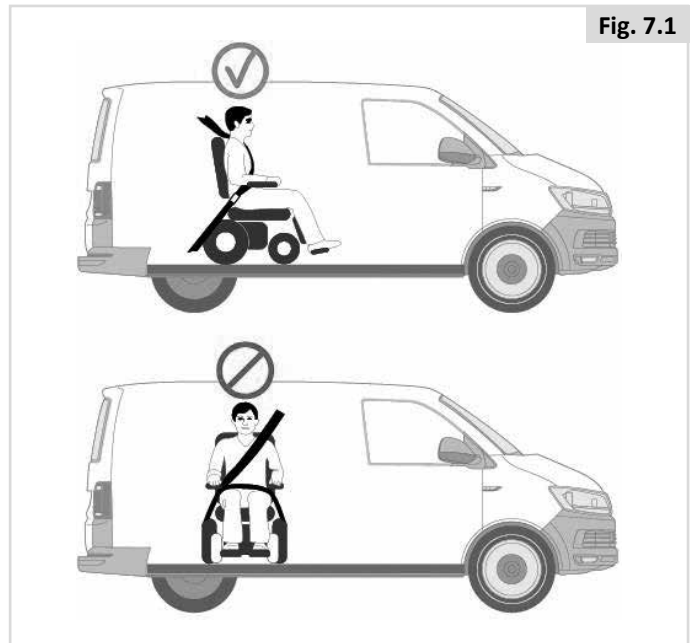
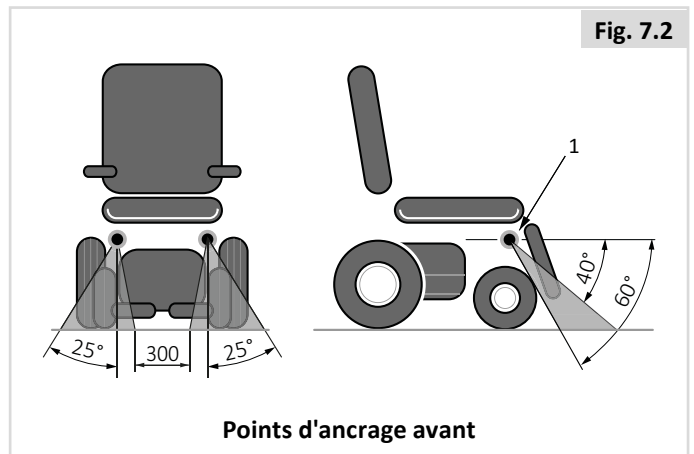
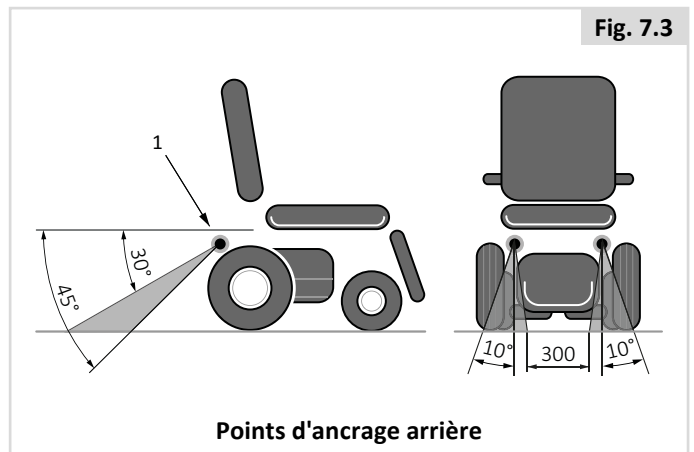


Fig. 7.2



Points d'ancrage avant

Fig. 7.3



Points d'ancrage arrière

⚠ DANGER !

- Le fauteuil doit impérativement être arrimé à l'aide des points de retenue prévus sur le châssis du fauteuil (Fig. 7.5).
- Les points d'arrimage (2 à l'avant et 2 à l'arrière) sont indiqués par les symboles d'ancrage (Fig. 7.4). Commencez par attacher les sangles à l'avant du fauteuil, puis les sangles à l'arrière. Tendez les sangles pour immobiliser le fauteuil. Le fauteuil ne peut pas être arrimé à des accessoires (accoudoirs, support anti-bascule, etc.).
- Les points d'ancrage/de fixation du fauteuil, les éléments de construction et les composants du châssis ne doivent en aucun cas être modifiés ou remplacés sans avoir préalablement consulté le fabricant.
- Si le fauteuil est transporté sans son utilisateur à bord d'un véhicule non équipé d'un système de retenue, il convient de le placer dans le coffre.

Fig. 7.4

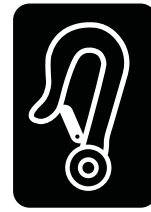
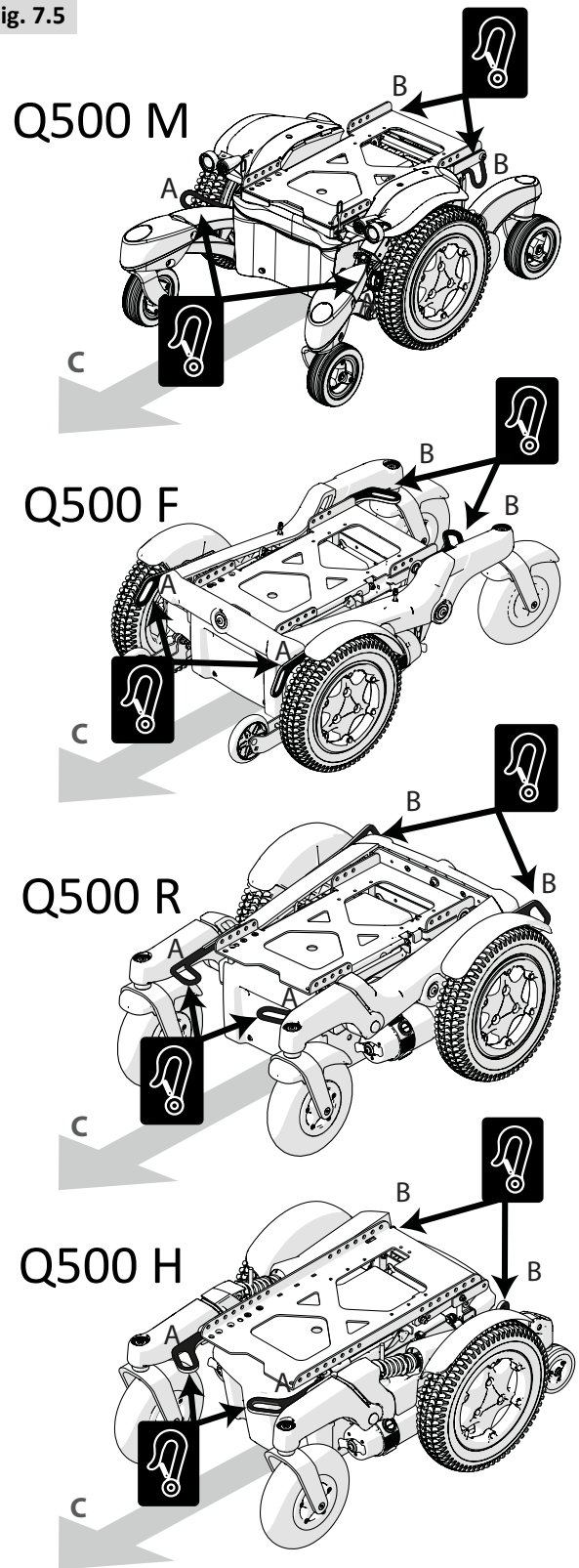


Fig. 7.5



- A** Emplacement des points d'arrimage avant.
- B** Emplacement des points d'arrimage arrière.
- C** Sens du déplacement.

7.2 Utilisation du système d'arrimage Dahl (Mk II (n° 501750) et VarioDock (n° 503600))

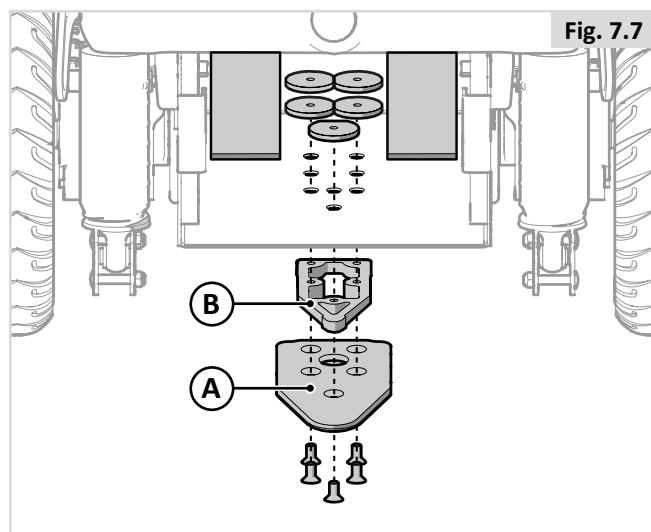
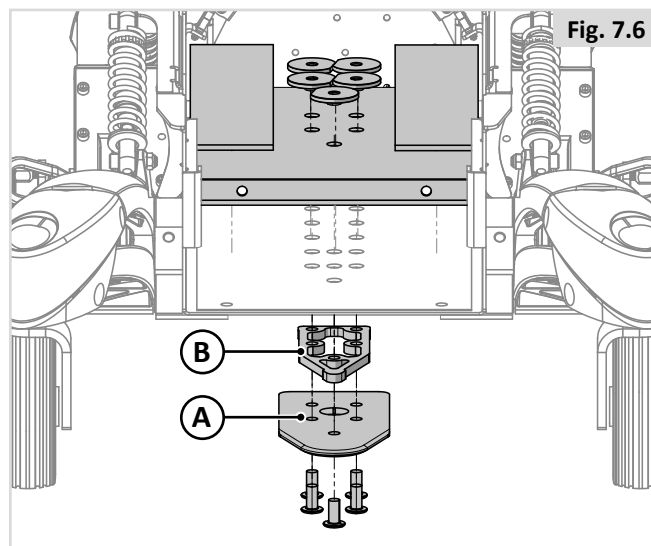
7.2.1 Bases pour roue motrice centrale (RMC), roue motrice traction (RMT) et roue motrice propulsion (RMP) avec Sedeo Pro et UP



ATTENTION !
L'installation doit être réalisée exclusivement par un technicien qualifié. Veuillez lire les instructions attentivement avant de procéder à l'installation.

Pour installer la plaque d'arrimage, utilisez le kit d'adaptation Dahl n° 503439 pour le modèle RMC, n° 503637 pour le modèle RMP et RMT et n° 501798 pour les modèles hybrides.

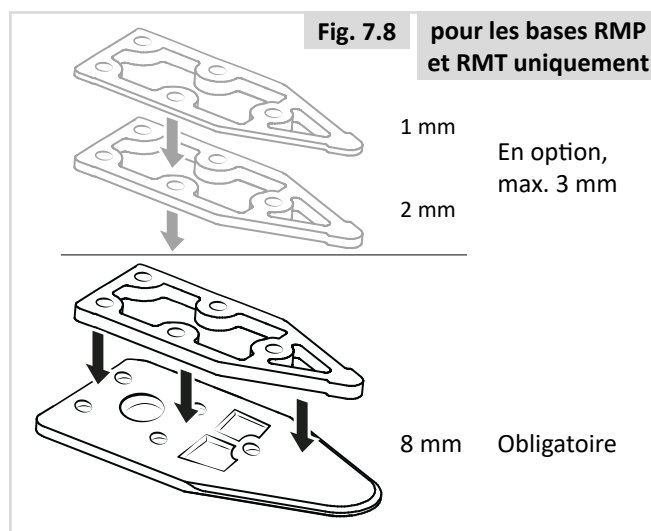
1. Placez l'entretoise de 8 mm (B) sur la plaque de verrouillage (A) (Fig. 7.6 pour les bases RMC, RMP et RMT et Fig. 7.7 pour les bases hybrides).



2. Utilisez d'autres entretoises jusqu'à obtention de l'épaisseur désirée, en fonction, par exemple, du poids de l'utilisateur et de la pression des pneus (Fig. 7.8).

D'autres entretoises peuvent être placées sous la station d'arrimage. Pour aligner la hauteur de la plaque de verrouillage sous le fauteuil avec la station d'arrimage Mk II, insérez les entretoises entre la station d'arrimage et le plancher du véhicule, ce qui aura pour effet de surélever la station d'arrimage. Le système d'arrimage motorisé Dahl VarioDock est réglable en hauteur, par conséquent aucune entretoise n'est nécessaire pour régler la hauteur.

Pour la base RMC, seule deux entretoises de 8 mm peuvent être installées. Aucune entretoise supplémentaire ne peut être ajoutée.



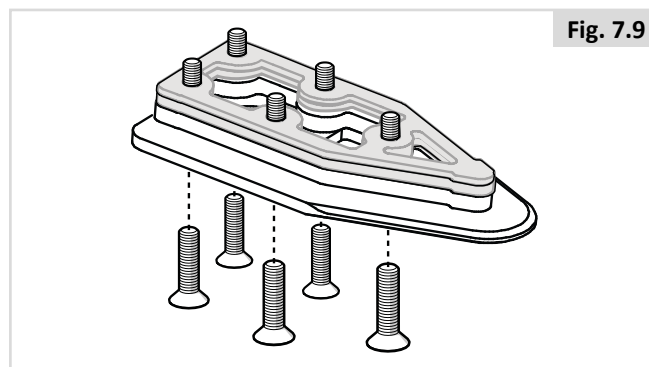
3. Insérez les cinq vis à travers la plaque de verrouillage, l'entretoise obligatoire de 8 mm et les entretoises facultatives nécessaires (en gris sur le dessin) (Fig. 7.9).

⚠ AVERTISSEMENT !

Utilisez exclusivement les vis fournies par Dahl Engineering (Réf. n° 502800 pour M8). Elles sont fabriquées à partir d'un acier de très grande qualité. Les vis standard ne présenteraient pas la même résistance en cas de collision.

⚠ ATTENTION !

L'installation doit être réalisée exclusivement par un technicien qualifié. Veuillez lire les instructions attentivement avant de procéder à l'installation.



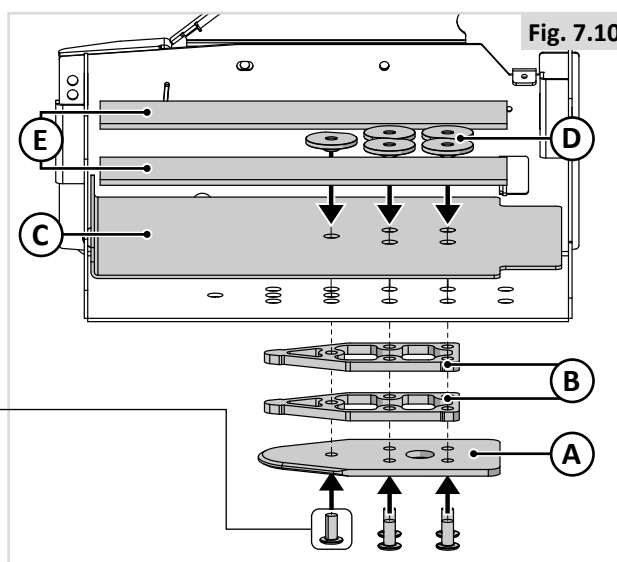
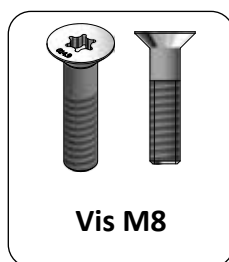
Installation du raidisseur

Outils requis :

- Embout Torx T27 (pour toutes les bases)
- Clé dynamométrique (16-18 Nm)
- Meuleuse d'angle
- Marqueur

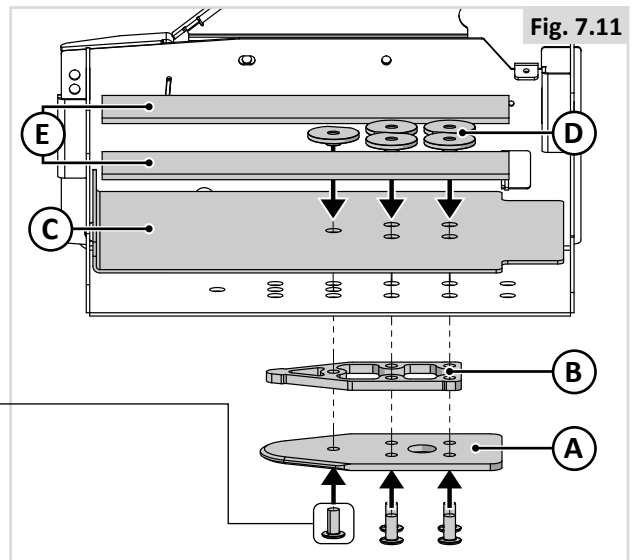
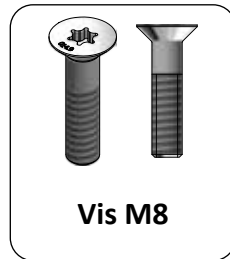
Pour la base Q500M (Kit d'adaptation d'arrimage Dahl n° 503439)

Assemblez les cinq vis (M8), la plaque de verrouillage (A) et les entretoises (B) (sous le châssis), avec la plaque de renfort (C), les écrous spéciaux (D) et les entretoises en plastique (E) à l'intérieur du châssis (Fig. 7.10).



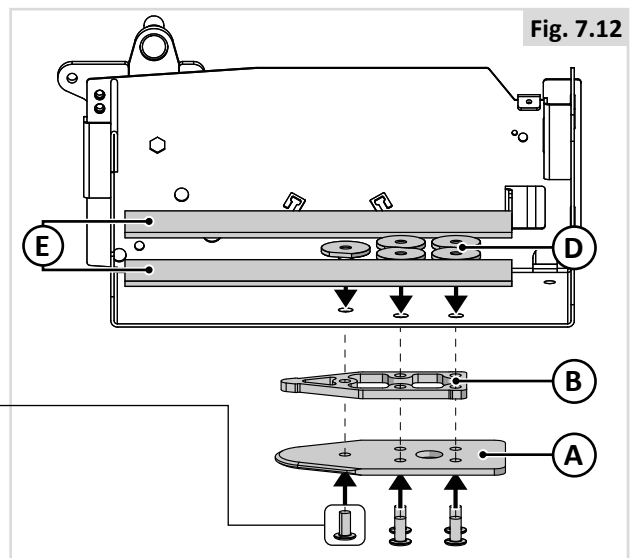
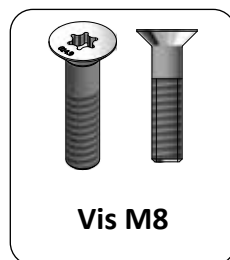
Pour les bases Q500F et Q500R (Kit d'adaptation d'arrimage Dahl n° 503637)

Assemblez les cinq vis (M8), la plaque de verrouillage (A) et l'entretoise (B) (sous le châssis), avec la plaque de renfort (C), les écrous spéciaux (D) et les entretoises en plastique (E) (à l'intérieur du châssis) (Fig. 7.11).

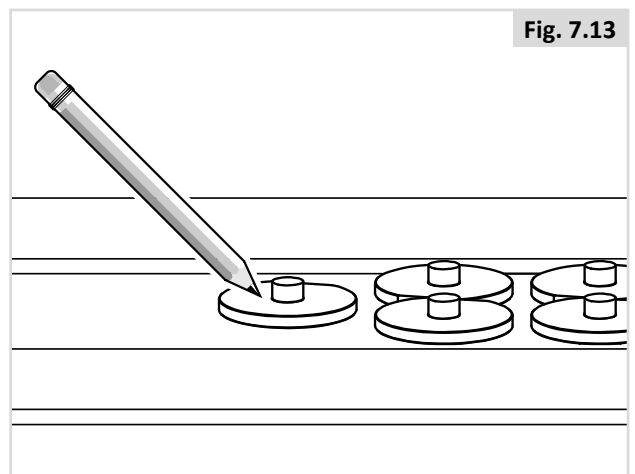


Pour la base Q500H (Kit d'adaptation d'arrimage Dahl n° 501798)

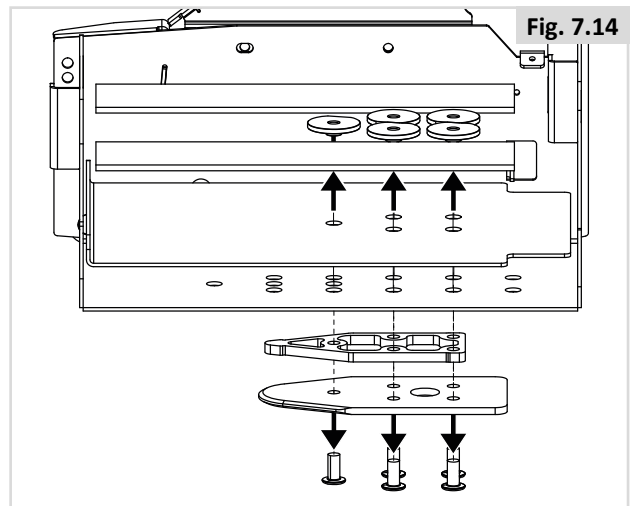
Assemblez les cinq vis (M8), la plaque de verrouillage (A) et l'entretoise (B) (sous le châssis), avec les écrous spéciaux (D) et les entretoises en plastique (E) (à l'intérieur du châssis) (Fig. 7.12).



4. Marquez l'endroit où vous allez couper les vis. (Fig. 7.13).

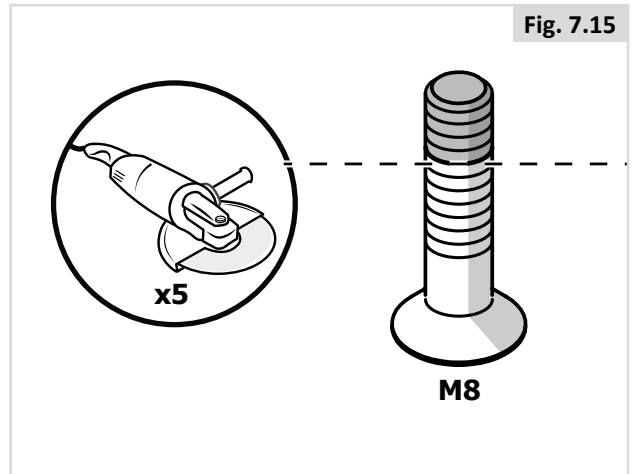


5. Retirez les vis ainsi que la ou les entretoises et la plaque de verrouillage (Fig. 7.14).

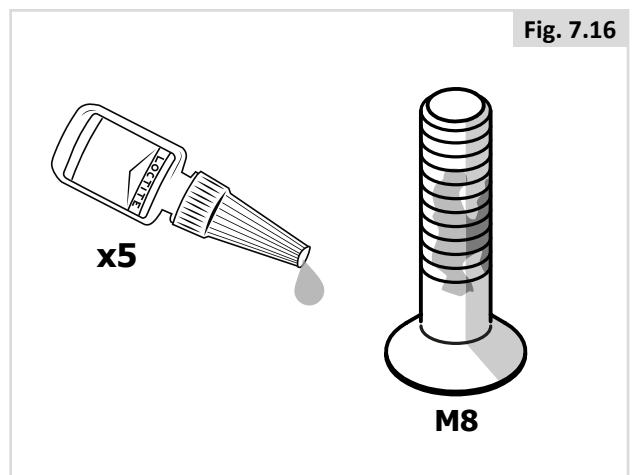


6. Découpez les vis à l'endroit indiqué (Fig. 7.15).

L'installateur doit impérativement vérifier que la longueur des vis est correcte. Si les vis sont trop courtes pour traverser l'intégralité du filetage, elles n'auront pas la résistance requise pour supporter les charges. Si les vis sont trop longues, elles risquent d'endommager les batteries ou d'autres composants du fauteuil roulant. Le cas échéant, remplacez-les par des vis plus courtes ou plus longues, selon le cas.

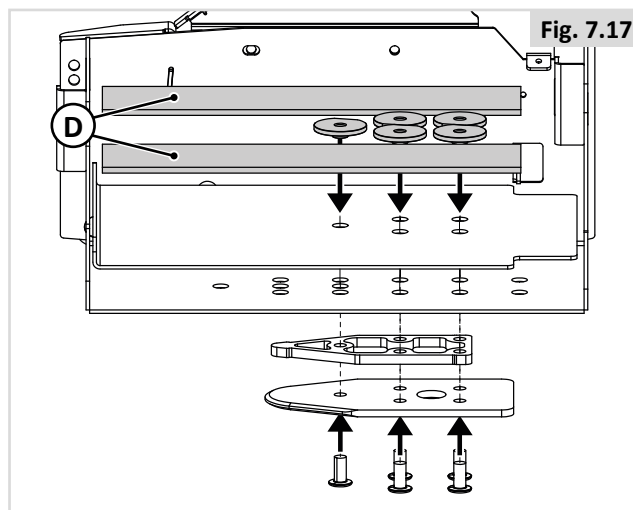


7. Appliquez de la Loctite 243 (ou un produit équivalent) sur les vis (Fig. 7.16).



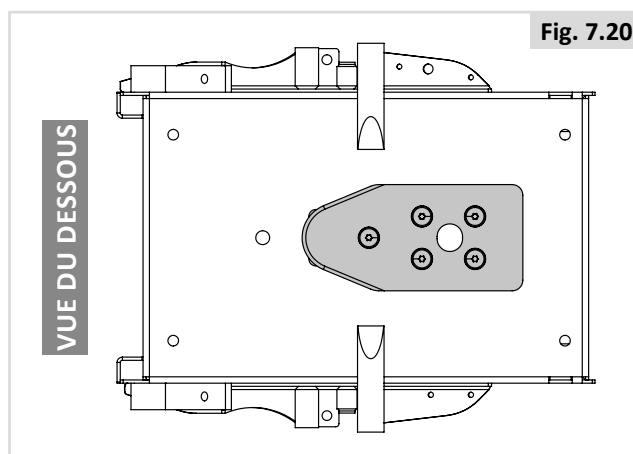
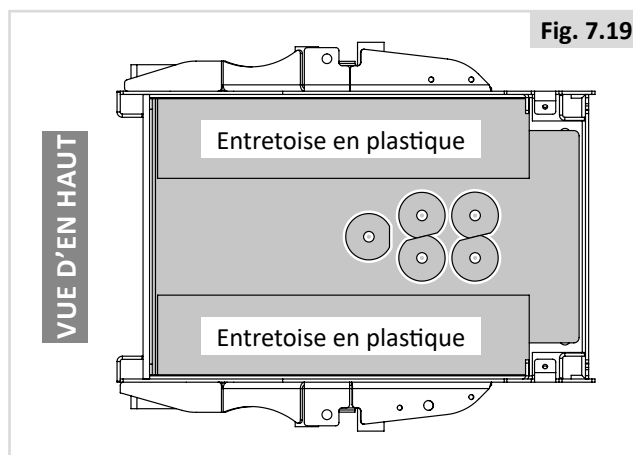
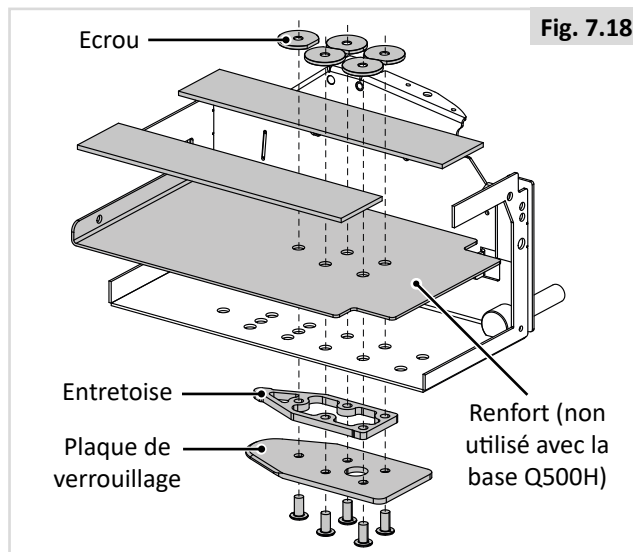
- Assemblez les cinq vis à la ou aux entretoises, à la plaque de verrouillage et à la plaque de renfort (couple de serrage : 16-18 Nm). Ajoutez ensuite les entretoises en plastique (D) pour éviter que les batteries n'entrent en contact avec les écrous (Fig. 7.17).

Reportez-vous à la Section 6.6 du présent manuel pour connaître la procédure inverse pour remplacer les batteries.



Installation de la plaque de verrouillage Dahl - Résultat final (Fig. 7.18-7.20)

La base Q500H est différente de celle présentée dans les images ci-contre (sans renfort).



Autocollant indiquant que le fauteuil roulant est doté d'une plaque de verrouillage du système d'arrimage Dahl (Fig. 7.21)

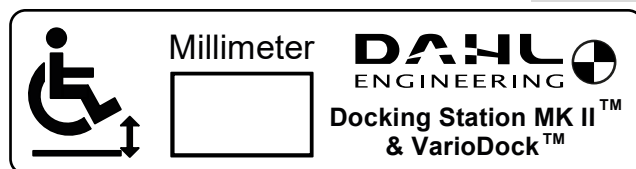
Fig. 7.21

La valeur indiquée sur l'autocollant correspond à la garde au sol du fauteuil roulant (moins 1-2 mm). Pour le système motorisé VarioDock™ à hauteur réglable, cela correspond à la hauteur de réglage, telle qu'affichée à l'écran. Pour le système MK II, il s'agit de la hauteur finale à laquelle l'unité d'arrimage doit être réglée. Toute erreur de configuration ou de réglage de la hauteur de l'unité d'arrimage peut empêcher la plaque de verrouillage de se loger correctement à l'intérieur de l'unité d'arrimage ou entraver la bonne connexion entre la station d'arrimage et le fauteuil roulant.

La personne chargée d'installer la plaque de verrouillage doit mesurer la garde au sol une fois l'installation terminée avec l'utilisateur assis dans son fauteuil et notera la hauteur définitive sur l'autocollant. Veillez à ce que les pneus du fauteuil roulant soient gonflés à la bonne pression.

Appelez l'autocollant à un emplacement facilement visible pour l'utilisateur ou un assistant.

Pour plus d'informations, consultez les manuels d'installation et d'utilisation des stations d'arrimage Mk II et VarioDock de Dahl.



Vérifications finales pour le système d'accrochage DAHL

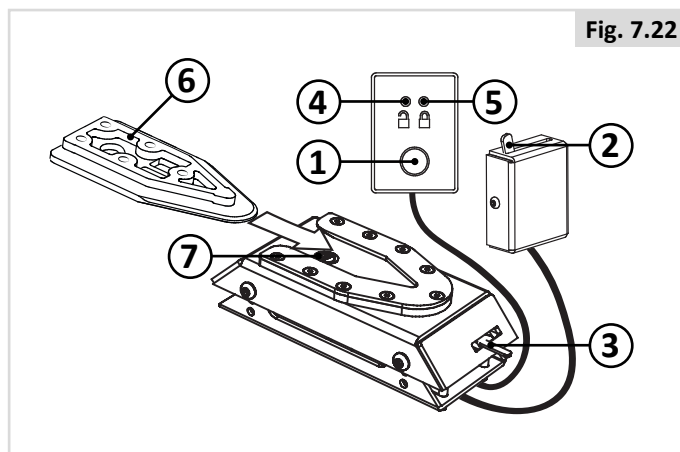
Mk II (Fig. 7.22)

Procédez aux vérifications finales. Pour cela, connectez le fauteuil à la station d'arrimage. Vérifiez qu'il s'enclenche correctement et que les méthodes de libération fonctionnent comme il se doit.

Un signal sonore d'avertissement se fait entendre lorsque la plaque de verrouillage n'est pas correctement enclenchée.

1. Relâchez le bouton.
2. Levier de commande manuelle.
3. Déverrouillage d'urgence.
4. Témoin rouge.
5. Témoin vert.
6. Plaque de verrouillage.
7. Goupille de verrouillage.

Fig. 7.22

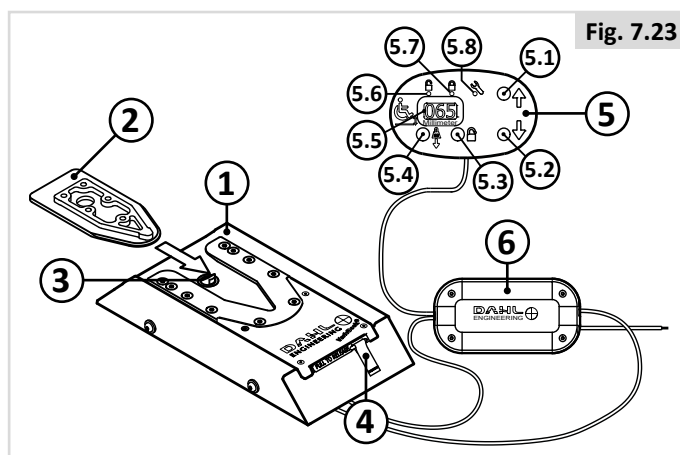


VarioDock (Fig. 7.23)

Description du fonctionnement du système Dahl VarioDock™

1. Dahl VarioDock™
2. Plaque de verrouillage et entretoise
3. Goupille de verrouillage
4. Bras de libération manuelle d'urgence
5. Panneau de commande
 - 5.1 Réglage ascendant (bouton jaune)
 - 5.2 Réglage descendant (bouton vert)
 - 5.3 Bouton de déverrouillage (bouton rouge)
 - 5.4 Abaissement pour l'élimination du jeu (bouton bleu)
 - 5.5 Affichage de la hauteur actuelle
 - 5.6 Témoin DEL rouge (le fauteuil N'EST PAS correctement arrimé à la station d'arrimage)
 - 5.7 Témoin DEL vert (le fauteuil EST correctement arrimé)
 - 5.8 S'allume en cas de maintenance nécessaire
6. Module de commande

Fig. 7.23



Le système Dahl VarioDock™ (1) permet d'immobiliser les fauteuils roulants manuels et électriques, ainsi que les bases d'assise Dahl montées dans le plancher des véhicules. Un module de commande (6) contrôle et surveille les fonctionnalités du Dahl VarioDock™ et alimente les différents composants. Il reçoit et envoie des signaux à et depuis le panneau de commande. Les câbles sont fournis. N'apportez aucune modification au câblage fourni ou à tout autre composant. Une plaque de verrouillage et une entretoise de 8 mm (2) doivent impérativement être fixées sous le fauteuil. Lorsque le fauteuil est manœuvré en direction du VarioDock™, il est guidé et positionné au moyen de la plaque de verrouillage.

Une fois que la plaque de verrouillage est intégralement enclenchée dans le VarioDock™, une goupille de sûreté à ressort bloque automatiquement la plaque de verrouillage. VarioDock™ est équipé d'un commutateur de commande intégré qui indique si la plaque de verrouillage est correctement enclenchée dans la station d'arrimage.

Dès que la plaque de verrouillage entre en contact avec la goupille de verrouillage, la station émet un signal sonore (un bip aigu) et le témoin LED rouge (5.6) du panneau de commande s'allume et reste allumé jusqu'à enclenchement correct de la plaque de verrouillage. Si la plaque de verrouillage n'est pas correctement enclenchée, le fauteuil est expulsé du VarioDock™. Une fois le fauteuil correctement arrimé, le signal sonore s'arrête et le témoin LED vert (5.7) du panneau de commande s'allume, indiquant que le fauteuil est bien arrimé. Le panneau de commande (5) (dont les fonctions sont décrites à la page 32) est connecté à un électro-aimant qui enclenche/libère la goupille de sûreté pendant un délai réglable entre 5 et 8 secondes, après quoi elle est à nouveau verrouillée.

Un bras de libération manuelle d'urgence (4) sur le bord avant du VarioDock est prévu en cas de problème électrique. Il suffit de tirer latéralement sur la languette rouge reliée au bras de libération pour libérer le fauteuil roulant. Vous pouvez également utiliser l'outil de libération d'urgence fourni avec le VarioDock™.

Enclenchement du fauteuil dans la station d'arrimage :

Vérifiez que les repose-jambes n'entrent pas en collision avec la rampe ou la station d'arrimage lors de la montée du fauteuil à bord du véhicule.

1. Manœuvrez le fauteuil roulant lentement et en ligne droite jusqu'à ce qu'il arrive au niveau de la station d'arrimage. La plaque de verrouillage située sous le fauteuil roulant permet de guider le fauteuil jusque dans la station d'arrimage. Une fois que la plaque de verrouillage est intégralement enclenchée dans la station d'arrimage, une goupille à ressort verrouille automatiquement la plaque de verrouillage.
2. La station d'arrimage est équipée d'un commutateur de commande qui indique si la plaque de verrouillage est correctement enclenchée dans la station d'arrimage. Dès que la plaque de verrouillage entre en contact avec la goupille de verrouillage, la station émet un signal sonore et le voyant rouge (LED) du panneau de contrôle s'allume et reste allumé jusqu'à enclenchement total de la plaque de verrouillage. Si la plaque de verrouillage n'est pas entièrement enclenchée, le fauteuil est expulsé de la station d'arrimage.
3. Une fois que le fauteuil est correctement enclenché, le signal sonore d'avertissement s'éteint, le voyant rouge du panneau de contrôle s'éteint et le voyant (LED) vert s'allume.
4. N'oubliez pas de boucler la ceinture de sécurité.

Libération de la station d'arrimage

1. Une fois le véhicule immobilisé, retirez la ceinture de sécurité.
2. Pour libérer le fauteuil, commencez par faire légèrement avancer le fauteuil afin de libérer la pression exercée sur la goupille de verrouillage, puis appuyez sur le bouton de libération rouge du panneau de contrôle. La goupille de verrouillage est désactivée/libérée pendant environ 5 secondes. Passé ce délai, elle est automatiquement réactivée. Ne tentez pas de faire reculer le fauteuil pour le sortir de la station d'arrimage tant que le voyant LED rouge du panneau de contrôle (qui indique la position déverrouillée) est éteint.
AVERTISSEMENT ! Si vous tentez de reculer le fauteuil avant que le voyant rouge ne soit allumé, le mécanisme de verrouillage de la station d'arrimage se bloquera et vous ne pourrez pas sortir. Si le fauteuil est bloqué, répétez la procédure de déverrouillage décrite ci-dessus.
3. Dégagez le fauteuil de la station d'arrimage avant l'écoulement du délai de cinq secondes.

Libération manuelle en cas de défaillance électrique

1. En cas de défaillance électrique, un mécanisme de libération manuelle a été placé sur la face avant de la station d'arrimage. Avancez le fauteuil pour libérer la pression exercée sur la goupille de verrouillage et glissez le levier rouge de libération sur le côté pendant que le fauteuil recule et s'extrait de la station d'arrimage.
2. Il est également possible d'installer un levier manuel activé par câble (accessoire). Coulissez le levier rouge de libération sur le côté et maintenez-le pendant que le fauteuil quitte la station.
3. En cas d'échec de la procédure de libération manuelle décrite, il convient de noter que chaque station d'arrimage est livrée avec un outil de libération d'urgence en plastique rouge.

Avancez le fauteuil pour libérer la pression exercée sur la goupille de verrouillage et placez l'outil de libération d'urgence dans l'interstice situé entre la plaque de verrouillage et la station d'arrimage. Enfoncez l'outil de libération jusqu'à ce que la goupille de verrouillage soit abaissée. Le fauteuil peut désormais reculer et sortir de la station d'arrimage.

Veillez également consulter les consignes d'installation, d'utilisation et d'entretien fournies par Dahl Engineering.

7.3 Utilisation du fauteuil comme siège passager

Un fauteuil roulant arrimé dans un véhicule n'assurera pas le même niveau de sécurité que les sièges du véhicule. Sunrise Medical recommande d'utiliser, dans la mesure du possible, les sièges du véhicule et leur système de retenue. Sunrise Medical reconnaît qu'il n'est pas toujours aisé de transférer une personne et si celle-ci doit rester à bord du fauteuil pendant le trajet, il convient de suivre les recommandations suivantes :

⚠ DANGER !

- La sécurité de l'utilisateur pendant son transport dépend de la vigilance de la personne sécurisant le système d'arrimage et cette personne devrait avoir reçu des instructions appropriées et/ou une formation sur leur utilisation.
- Dans la mesure du possible, retirez du fauteuil et rangez tous les accessoires et équipements auxiliaires, comme par exemple : les cannes, les coussins amovibles, les tablettes, etc.
 - i. Retirez et rangez les séparément et en toute sécurité dans le véhicule, ou
 - ii. Fixez les au fauteuil mais avec du rembourrage pour amortir placé entre la tablette et l'utilisateur.
- Les repose-jambe articulés/relevables ne doivent pas être en position élevée pendant le transport du fauteuil roulant et de son utilisateur.
- Le cas échéant : Les dossiers inclinables doivent être remis en position verticale.
- Le cas échéant : Le lift d'assise doit être en position abaissée.
- Le cas échéant : Les freins manuels du fauteuil doivent impérativement être enclenchés.

Instructions pour le système de retenue de l'occupant

⚠ DANGER !

- Utilisez un système de retenue de l'occupant à 3 points pour la sécurité de l'utilisateur.
- Les deux ceintures de retenue au niveau du bassin et du torse supérieur doivent être utilisées pour retenir le passager afin de réduire la possibilité de choc de la tête ou du torse avec les composants du véhicule.
- Le dispositif de retenue doit être fixé au pilier approprié du véhicule et les composants du fauteuil roulant (comme les accoudoirs ou les roues) ne doivent pas entraver le contact entre la sangle et le corps de l'utilisateur (Fig. 7.24).
- Utilisez un appui-tête correctement positionné pendant le transport de l'utilisateur à bord de son fauteuil roulant.
- Les systèmes de retenue, comme les ceintures à 3 points, les harnais ou les systèmes de maintien posturaux (sangles ou ceintures sous-abdominales) ne doivent pas servir de système de retenue dans un véhicule en déplacement, même s'ils sont conformes aux normes ISO 7176-19, ISO 10542-1, SAE J2249 ou autre. Il convient d'utiliser à la place un système de retenue certifié et arrimé au véhicule.

Positionnement du système de retenue de l'occupant

⚠ DANGER !

- Les systèmes de retenue sous-abdominaux doivent être en contact avec la partie avant l'épaule, le torse et le bassin, tandis que les ceintures pelviennes doivent être portées basses sur le bassin, près de la jonction entre la cuisse et la zone abdominale (conformément aux exigences de la norme ISO 7176-19:2008).
- La ceinture pelvienne doit être portée basse, sur l'avant du bassin de façon à ce que l'angle de la ceinture du bassin soit dans la zone de préférence entre 30 et 75 degrés par rapport à l'horizontal.
- Un plus grand angle au sein de la zone de préférence est recommandé c'est-à-dire plus proche de 75°, mais sans jamais cependant dépasser cette limite (Fig. 7.25).
 - i. La ceinture thoracique doit passer par-dessus l'épaule et en travers de la poitrine, comme illustré (Fig. 7.25). Les ceintures de retenue doivent être serrées le plus possible, tout en respectant le confort de l'utilisateur.
- La sangle de la ceinture de sécurité ne doit pas être entortillée pendant son utilisation.
- Positionnez soigneusement le système de retenue et la boucle de la ceinture de sorte que le bouton de libération n'entre pas en contact avec les composants du fauteuil en cas de collision.

Fig. 7.24

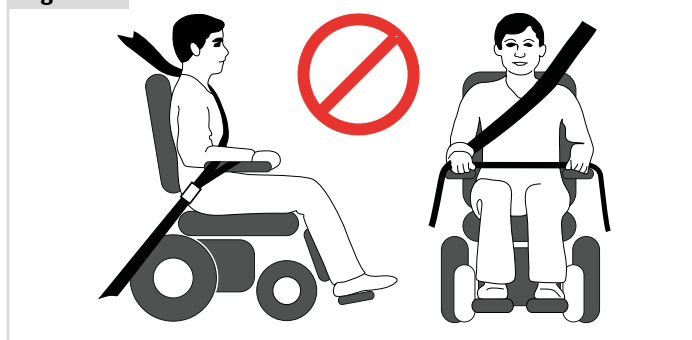
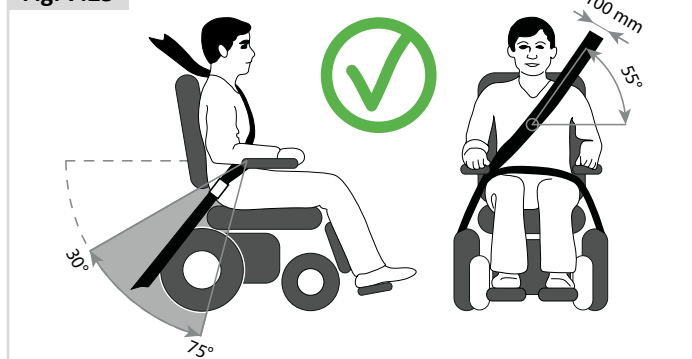


Fig. 7.25

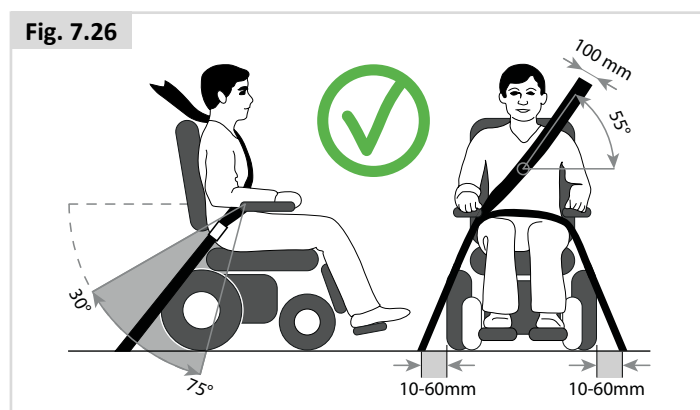


Passager ayant un poids inférieur à 22 kg.

Si l'utilisateur devant être transporté est un enfant pesant moins de 22 kg et si le véhicule utilisé compte moins de huit (8) passagers assis, il est recommandé d'utiliser un dispositif de retenue pour enfants conforme au règlement 44 de la CEE-ONU. Ce type de dispositif de retenue est un moyen de retenue plus efficace que les dispositifs à trois points, et certains dispositifs de retenue pour enfants assurent également un support postural supplémentaire afin de maintenir la position de l'enfant lorsqu'il est assis.

Les parents ou toute autre personne s'occupant de l'enfant peut, selon le cas, décider de laisser l'enfant dans son fauteuil roulant pendant le transport en raison du niveau de contrôle de la posture ou du niveau de confort assuré par les réglages du fauteuil.

Dans ce cas, nous vous invitons à procéder à une évaluation des risques par le professionnel de santé qui vous suit ou par toute personne compétente dans ce domaine.



Pour une utilisation exclusive avec le système d'arrimage Dahl (Fig. 7.26)

Lorsque le fauteuil est utilisé avec le système d'arrimage Dahl, les points d'ancrage au sol pour le système de retenue de l'occupant doivent être situés entre 10 et 60 mm au-delà des roues, de chaque côté.

7.4 Conditions spéciales de transport

Utilisation du fauteuil à bord d'un train.

Avant d'entreprendre votre voyage, contactez la compagnie de chemin de fer. pour obtenir toutes les informations relatives aux conditions/instructions particulières. Nous préconisons de vérifier les éléments suivants :

- Y a-t-il une zone 'Fauteuil roulant' dédiée et adéquate à bord du train et cette zone possède-t-elle un espace de braquage suffisant pour manœuvrer ?
- Y a-t-il une zone 'Fauteuil roulant' dédiée et adéquate sur le quai de la gare et cette zone possède-t-elle un espace de braquage suffisant pour manœuvrer ?
- La rampe d'accès permet-elle de monter à bord du wagon et d'accéder à la zone 'Fauteuil roulant' ?
- La rampe d'accès est-elle adaptée pour le poids combiné du fauteuil et de l'utilisateur ?
- Vérifiez que l'inclinaison de la rampe d'accès ne dépasse pas le degré d'inclinaison maximum. (Voir Section 10)
- Vérifiez que la hauteur des obstacles ou des seuils ne dépasse pas la capacité de franchissement d'obstacles de votre fauteuil. (Voir Section 10)

En général, les compagnies ferroviaires se feront un plaisir de vous prêter assistance dans la mesure où elles auront été informées de votre présence. Pensez à vous munir du manuel d'utilisation de votre fauteuil lorsque vous planifiez votre déplacement et contactez la compagnie ferroviaire.

⚠ AVERTISSEMENT !

- Pendant vos déplacements à bord d'un bateau ou d'un train, veillez à activer le profil de conduite 1 (profil standard) avec le module GYRO désactivé. Le mouvement continu du bateau ou du train perturbe le module GYRO et les caractéristiques de conduite de votre fauteuil.

Transport du fauteuil en tant que bagage.

Il convient de démonter les organes facilement amovibles lors du transport du fauteuil roulant. Rangez-les soigneusement, p.e. :

- A. Enlevez le siège (📖 Système d'assise).
 - B. Enlevez les repose-jambes (📖 Système d'assise).
 - C. Enlevez les accoudoirs (📖 Système d'assise).
 - D. Rabattez le dossier (📖 Système d'assise).
- Vérifiez que les parties amovibles du fauteuil sont solidement fixées ou emballées séparément et étiquetées pour éviter qu'elles ne soient égarées pendant le chargement et le déchargement.
 - Le fauteuil roulant peut être transporté par route, chemin de fer, voie maritime ou voie aérienne car les batteries sont conformes à la réglementation IATA. Si les batteries sont remplacées par des batteries non homologuées par IATA, il sera nécessaire de les retirer pour le transport aérien. Votre revendeur pourra vous procurer des batteries homologuées IATA.
 - Avant d'entreprendre votre voyage, contactez le transporteur. L'organisateur vous fournira les données relatives à toute condition/instruction particulière.
 - Pour toute information sur les dimensions et le poids du fauteuil, reportez-vous à la section 10.
 - Pour toute information sur les batteries de votre fauteuil, reportez-vous à la section 6.
 - Vérifiez que les parties amovibles du fauteuil sont solidement fixées ou emballées séparément et étiquetées pour éviter qu'elles ne soient égarées pendant le chargement et le déchargement.
 - Munissez-vous du présent manuel d'utilisation, du manuel d'utilisation du système d'assise (& Système d'assise) et du manuel d'utilisation du boîtier de commande (& Boîtier de commande). Le transporteur devra consulter les sections suivantes :
 - i. Pousser le fauteuil roulant (Section 5.8).
 - ii. Verrouillage/déverrouillage du boîtier de commande :
📖 Boîtier de commande.
 - iii. Comment déconnecter les batteries (Section 6.7).
 - iv. Comment débrancher l'entraînement, (Section 5.8)
 - Transport du fauteuil, (Section 7.0).
 - Entreposage à moyen et à long terme (Section 8.5).

7.5 Avertissements généraux relatifs au transport



AVERTISSEMENT !

- Les points d'ancrage/de fixation du fauteuil, les éléments de construction et les composants du châssis ne doivent en aucun cas être modifiés ou remplacés sans avoir préalablement consulté Sunrise Medical.
- En cas d'impact subi par le véhicule transportant à son bord un fauteuil roulant, ledit fauteuil devra faire l'objet d'une inspection par un technicien/revendeur agréé Sunrise Medical.

8.0 Entretien et nettoyage

La durée de vie du fauteuil dépend directement de la qualité de son entretien.

Pour toute information concernant les paramètres spécifiques, la maintenance ou les réparations, contactez votre revendeur agréé Sunrise Medical. Lorsque vous contactez votre revendeur, munissez-vous toujours des informations suivantes : modèle, année de fabrication et numéro d'identification. Ces informations sont indiquées sur la plaque signalétique du fauteuil.

ATTENTION !

Le fauteuil doit faire l'objet d'une révision annuelle (ou semestrielle en cas d'utilisation intensive) effectuée par un centre agréé Sunrise Medical. Pour obtenir la liste des revendeurs agréés près de chez vous, veuillez contacter le service clients de Sunrise Medical.

Les coordonnées de votre service après-vente Sunrise Medical le plus proche sont indiquées à l'intérieur de la page couverture avant du présent fascicule.

Les adresses de sites Web nationaux et internationaux sont fournies sur la couverture arrière.

8.1 Entretien

AVERTISSEMENT !

- Les fixations desserrées doivent être resserrées selon les consignes d'installation.
Cf. tableau général ci-dessous (sauf indication contraire) sur les couples de serrage nécessaires.

Guide de réglage du couple de serrage	
M4	3,0 Nm
M5	5,9 Nm
M6	10 Nm
M8	25 Nm
M10	48 Nm
M12	84 Nm

Remarque : Une clé dynamométrique sera nécessaire.

- Les ceintures thoraciques doivent être remplacées dès les premiers signes de dommage et/ou d'usure excessive.
- En présence d'un élément cassé ou desserré, cesser immédiatement l'utilisation du fauteuil et contacter un revendeur Sunrise Medical agréé pour le faire remplacer.
- Vérifier toutes les sangles Velcro afin de garantir une bonne adhérence les unes aux autres.
- Éliminer tout corps étranger, tels des cheveux ou des peluches, éventuellement pris dans les bandes Velcro. La présence de tels corps étranger peut compromettre l'adhérence.

AVERTISSEMENT !

- En cas de doute sur les niveaux de performance de votre fauteuil, contactez votre revendeur agréé Sunrise Medical.
- Après avoir nettoyé ou réparé le fauteuil, vous devez toujours vérifier son bon fonctionnement avant de l'utiliser.
- Toutes les fixations doivent être remplacées par des pièces parfaitement identiques ayant les bonnes longueurs et résistance à la déchirure et composées du matériau adéquat.
- Lorsque vous remplacez des écrous autofreinés ou des écrous/goujons à frein-filet, veillez à ce qu'une solution frein-filet adéquate soit appliquée sur la pièce de fixation.

Contrôles quotidiens

Avant chaque utilisation, procédez aux contrôles de routine quotidiens énoncés au chapitre 5.1

Contrôles hebdomadaires

Une fois par semaine, procédez aux contrôles hebdomadaires énoncés ci-dessous.

Vérifiez le frein de stationnement :

Ce test doit être effectué sur un sol plat avec au moins 1 m de dégagement autour du fauteuil.

- Branchez le système de commande.
- Vérifiez que l'indicateur de la batterie reste allumé, ou qu'il flashe doucement, après une seconde.
- Poussez le joystick doucement vers l'avant jusqu'à ce que vous entendiez les freins de stationnement s'activer.
- Il est possible que le fauteuil se mette à avancer.
- Relâchez immédiatement le joystick. Vous devez pouvoir entendre chaque frein d'immobilisation s'enclencher (clic) au bout de quelques secondes.
- Répétez le test encore trois fois, en poussant le joystick doucement vers l'arrière, la gauche et la droite.

Inspection des connecteurs et des câbles :

- Assurez-vous que tous les connecteurs sont assemblés correctement.
- Vérifiez le bon état de tous les câbles et de tous les connecteurs.

Inspection du boîtier de commande :

- Vérifiez que la fine "robe" en caoutchouc autour de la base du joystick ne soit pas endommagée ou déchirée. Vérifiez uniquement visuellement, ne manipulez pas le soufflet.
- Assurez-vous que tous les composants du système de commande sont montés correctement. Ne serrez pas excessivement les vis de sécurité.

Vérification des commandes :

- Allumez le manipulateur de commande – Les voyants clignent-ils ? Cela signifie qu'il y a une anomalie dans le système électronique. Reportez-vous au chapitre 9 pour obtenir des informations sur le dépannage.
- Activez toutes les options électriques, y compris les feux et les clignotants (le cas échéant) pour vérifier qu'ils fonctionnent bien.
- Après avoir élevé l'assise, démarrez le fauteuil pour voir si le mode Réducteur s'active afin de ralentir le fauteuil.
- Utilisez le fauteuil dans tous les modes de conduite pour vérifier qu'il fonctionne comme avant.

AVERTISSEMENT !

- En cas de doute sur les niveaux de performance de votre fauteuil, contactez votre revendeur agréé Sunrise Medical.
- Après avoir nettoyé ou réparé le fauteuil, vous devez toujours vérifier son bon fonctionnement avant de l'utiliser.
- Il est recommandé de faire procéder à une inspection complète, un contrôle de sécurité et une révision par un revendeur agréé Sunrise Medical au moins une fois par an.
- Toutes les fixations doivent être remplacées par des pièces parfaitement identiques ayant les bonnes longueurs et résistance à la déchirure et composées du matériau adéquat.
- Lorsque vous remplacez des écrous autofreinés ou des écrous/goujons à frein-filet, veillez à ce qu'une solution frein-filet adéquate soit appliquée sur la pièce de fixation.
- Vérifier toutes les sangles Velcro afin de garantir une bonne adhérence les unes aux autres.
- Éliminer tout corps étranger, tels des cheveux ou du peluchage, etc., éventuellement pris dans les bandes Velcro. La présence de tels corps étranger peut compromettre l'adhérence.

Contrôles mensuels

Une fois par mois, procédez aux contrôles mensuels énoncés ci-dessous.

- Vérifier tous les mois les fixations et attaches afin de déceler tout signe d'usure ou la présence de boulons desserrés ou des pièces cassées.
- Vérifier les sangles tous les mois afin de déceler d'éventuels effilochements, coutures déchirées ou tout autre signe d'usure excessive ou d'endommagement. Ne plus utiliser si des dommages sont trouvés.

8.2 Entretien et pression des pneus

8.2.1 Pression des pneus

ATTENTION !

Si votre fauteuil est doté de pneus, il est important de contrôler la pression et de vérifier régulièrement leur état afin de déceler tout éventuel signe d'usure.

Les pressions maximales de pneus figurent en Section 8.3. En cas de doute, vérifiez les indications du côté du pneu du fauteuil.

REMARQUE : Il est important que les deux roues motrices soient gonflées à la même pression, tout comme les deux pneus arrière. La pompe est le moyen le plus sûr de gonfler les pneus de votre fauteuil roulant et vous pouvez contrôler la pression avec un manomètre standard pour voitures.

DANGER !

- Ne gonflez pas vos pneus au-delà des valeurs maximales autorisées.

8.2.2 Usure des pneus

Lorsque vous inspectez les pneus afin d'y déceler tout éventuel signe d'usure, regardez s'il y a des éraflures importantes, des entailles ou si la semelle du pneu est lisse. Les pneus doivent être changés dès que leur semelle est lisse sur toute sa surface, (Fig. 8.1).



8.2.3 Réparation du pneu de la roue motrice

Pour déposer la roue/le pneu :

AVERTISSEMENT !

Avant d'entamer cette procédure, vérifiez d'avoir bien mis le boîtier de commande du fauteuil hors tension.

Reportez-vous aux images (Fig. 8.2 - 8.10).

- Retirez l'anneau coloré.
- À l'aide d'une clé à six pans creux de 16 mm, desserrez les 3 écrous de roue (Fig. 8.2).
- Surélevez le compartiment à batteries / la base à l'aide d'un cric et faites-le reposer sur une cale, (Fig. 8.3).
- Retirez les 3 boulons et tirez la roue pour la sortir du moyeu.
- Enlevez le capuchon de la valve et faites sortir l'air du pneu en appuyant délicatement sur la tubulure de la valve à l'aide d'un tournevis de petite taille (Fig. 8.4).
- Il y a 6 goujons de jante à desserrer/resserrer dans l'ordre indiqué (Fig. 8.5).
- Utilisez une clé hexagonale de 5 mm pour desserrer/resserrer les goujons. (Fig. 8.5).
- Enlevez la jante interne de la paroi du pneu (Fig. 8.6).
- Enlevez le pneu et la chambre à air de la jante externe, (Fig. 8.7).
- Attrapez délicatement la chambre à air interne, juste derrière la valve.
- Sortez délicatement la chambre à air du pneu, (Fig. 8.8).
- Vérifiez que tous les composants sont propres avant de les remonter (Fig. 8.9).

Pour réinstaller

- Placez la chambre à air à l'intérieur du pneu et posez le pneu sur la jante externe.
- Alignez la tubulure de la valve avec la découpe dans la jante.
- Orientez l'embout de la chambre à air vers l'extérieur.
- Placez la jante interne par-dessus le pneu, la chambre à air et la jante externe.
- Alignez l'orifice avec l'embout de la chambre à air et avec l'orifice de la jante externe, (Fig. 8.10).
- Vérifiez que les goujons sont alignés avec les deux jantes.
- Resserrez les goujons dans l'ordre indiqué à la Fig. 8.5, en veillant à ne pas pincer la chambre à air.
- Gonflez le pneu lentement à la pression indiquée à la section 8.1.1.
- Remontez la roue sur le moyeu et revissez les 3 boulons à un couple de serrage de 34 Nm.

Pour les pneus à bandage, suivez la même procédure en éliminant les étapes relatives à la chambre à air et à la valve.

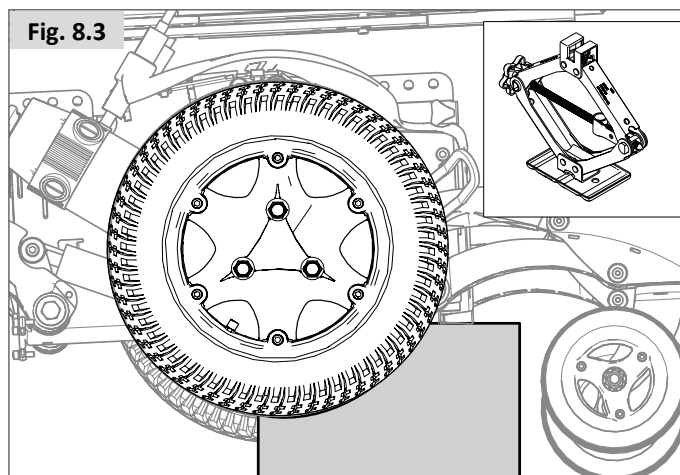


Fig. 8.3

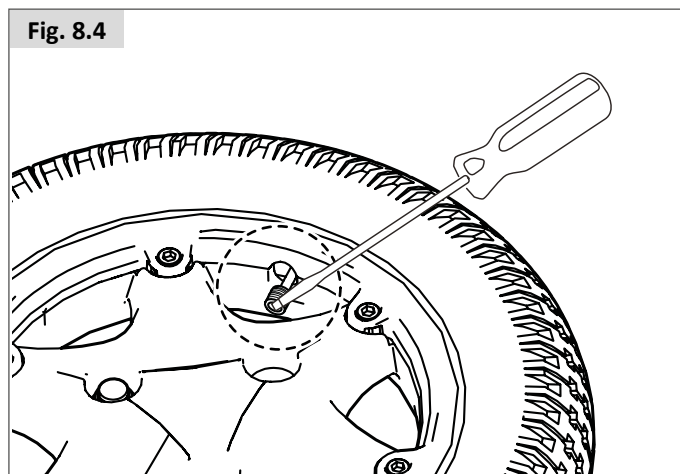


Fig. 8.4

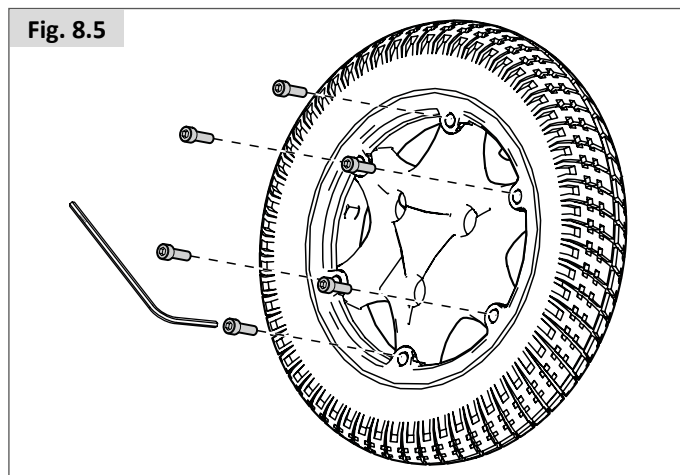


Fig. 8.5

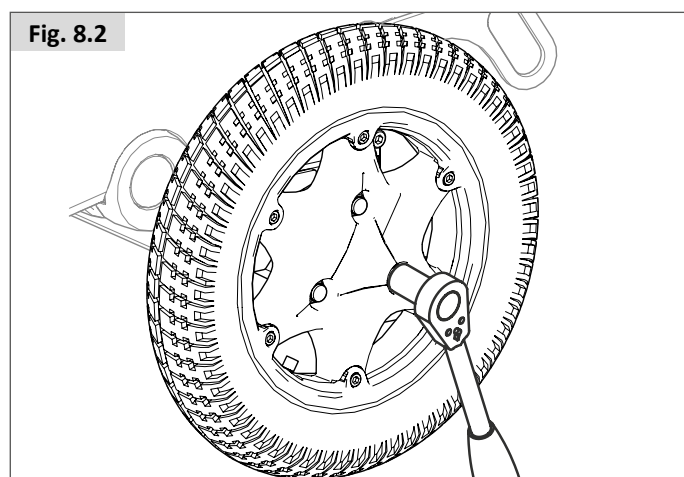


Fig. 8.2

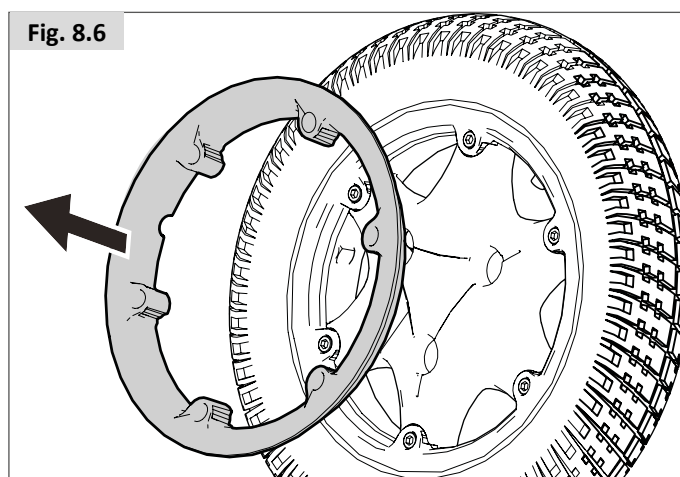
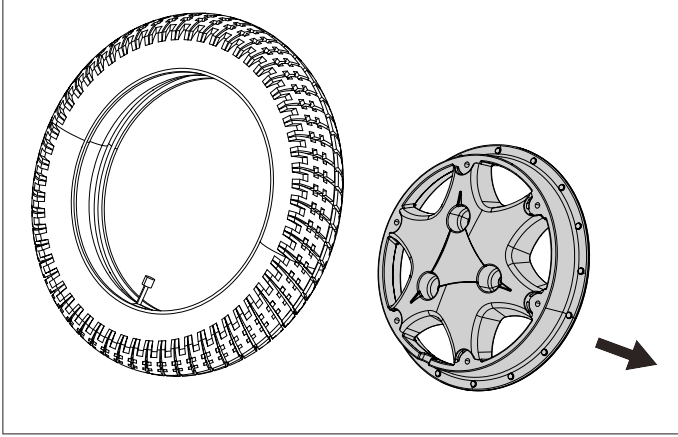
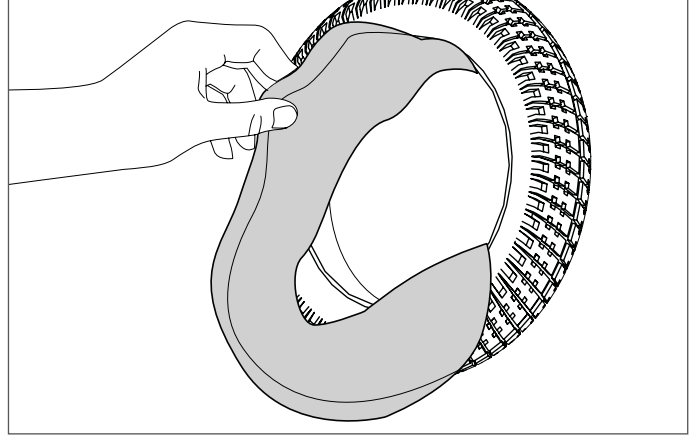
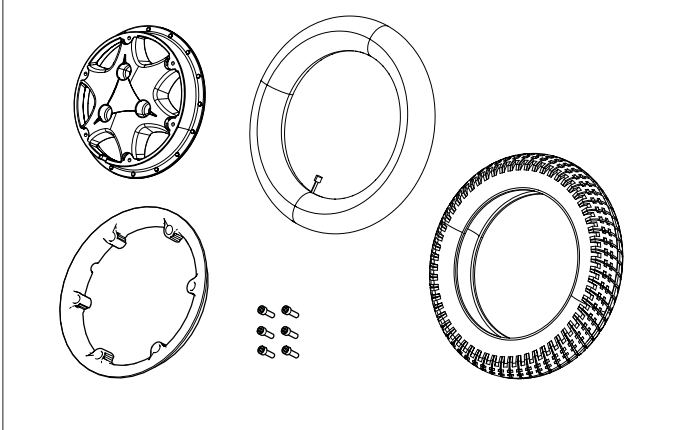
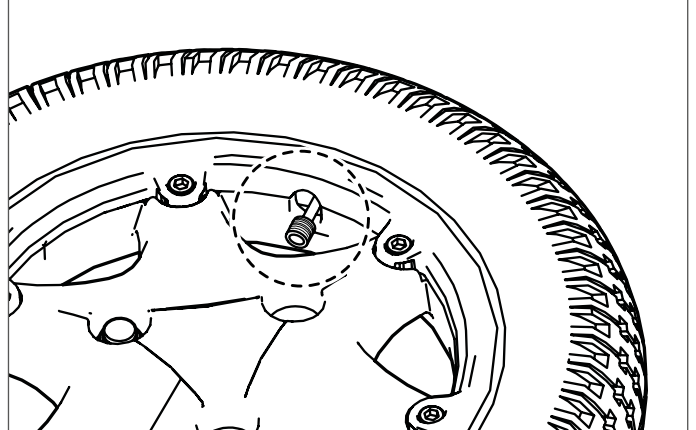


Fig. 8.6

Fig. 8.7**Fig. 8.8****Fig. 8.9****Fig. 8.10****8.2.4 Retrait des roues directrices (base M) (Fig. 8.11).**

- À l'aide d'une clé/douille de 17 mm, dévissez le boulon d'essieu.
- Retirez l'écrou Nyloc.

Retrait des roues directrices (base F/R/H) (Fig. 8.12)

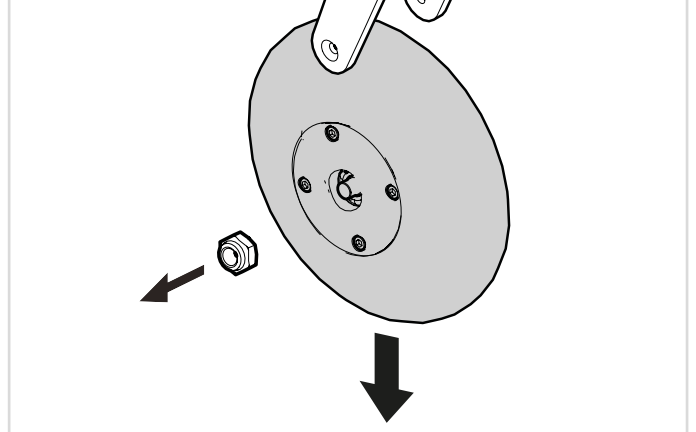
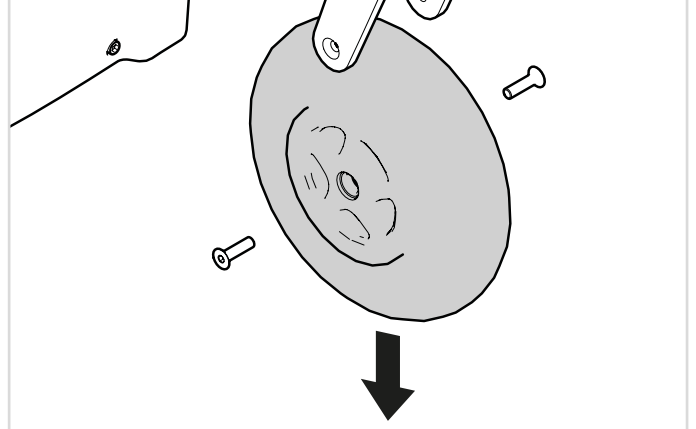
- Utilisez une clé de 13,0 mm et une clé hexagonale de 5 mm pour desserrer les vis.
- Retirer les deux vis.


Remontage :

Lorsque vous remontez la roue, ne forcez pas pour faire passer le boulon. Faites rouler lentement la roue vers l'avant et l'arrière jusqu'à ce que le boulon se glisse à travers, puis serrez à un couple de 14 Nm.

⚠ AVERTISSEMENT !

Lorsque vous remontez la roue, utilisez toujours un nouvel écrou Nyloc.

Fig. 8.11**Fig. 8.12**

Programme d'entretien et d'inspection	Quotidien*	Hebdomadaire	Mensuel	Annuel
Contrôles de routine quotidiens énoncés au chapitre 5.1	*			
Contrôles de routine hebdomadaires énoncés au chapitre 8.1		*		
Nettoyage de la toile du fauteuil  Système d'assise		*		
Contrôles de routine mensuels énoncés au chapitre 8.1			*	
Inspection complète, contrôle de sécurité et révision effectués par un revendeur agréé Sunrise Medical.				*

8.3 Maintenance des roues et des pneus

Pour garantir un fonctionnement optimal de votre fauteuil, il convient de maintenir une pression correcte des pneus. La pression recommandée est indiquée sur la paroi latérale des pneus.

Des pneus sous-gonflés freinent le déplacement du fauteuil. Le déplacement du fauteuil consomme plus d'énergie et sollicite d'autant plus les batteries. Par ailleurs, les pneus sous gonflés s'usent plus rapidement.

Lorsque vous inspectez les pneus afin d'y déceler tout éventuel signe d'usure, regardez s'il y a des éraflures importantes, des entailles ou si la semelle du pneu est lisse. Les pneus doivent être changés dès que leur semelle est lisse sur toute sa surface.

Roue avant		Pression max. des pneus	
6"	Q500 M	Roue bandage	
9" (2.80/2.50-4)	Q500 F Q500 R Q500 H	2,4 bars max.	35 PSI
10" (3.00-4)	Q500 F Q500 R	2,4 bars max.	35 PSI
Roue motrice		Pression max. des pneus	
13" (2.50-8)	Q500 M Q500 F Q500 R Q500 H	2,4 bars max.	35 PSI max.
14" (3.00-8)	Q500 F Q500 R Q500 H	3,5 bars max.	50 PSI max.
4"	Q500 H	Roues à bandage (roues arrière)	

DANGER !

- Ne gonflez pas vos pneus au-delà des valeurs maximales autorisées.
- N'utilisez jamais de dispositif de gonflage des garages.
- Avant de réparer un pneu, il convient de le dégonfler complètement.

8.4 Entretien des feux :

DANGER !

L'entretien des feux et des clignotants est une opération cruciale pour la sécurité. Si vous remarquez une anomalie avec les feux ou les clignotants, contactez votre revendeur agréé Sunrise Medical.

Les feux et les clignotants sont des unités à LED dernier cri sans maintenance et à faible consommation. Ils n'intègrent aucune ampoule. De par leur haute fiabilité intrinsèque, le risque de voir ces unités tomber en panne est extrêmement faible en condition d'utilisation normale. En cas de panne (suite à un impact, par exemple), l'unité endommagée doit être remplacée intégralement. Les LED ne peuvent pas être remplacées individuellement.

ATTENTION !

- Nous vous recommandons l'utilisation des pièces détachées autorisées par Sunrise Medical uniquement.
- Veuillez noter que tous les circuits d'éclairage sont protégés électroniquement. En cas de court-circuit, le courant ne pourra dépasser un niveau sécurisé. Une fois que la faute a été rectifiée, le système se réinitialise.

8.5 Nettoyage et désinfection

Il est recommandé de passer un chiffon légèrement humide et non mouillé, sur le siège de votre fauteuil une fois par semaine et de passer l'aspirateur autour du moteur, afin de retirer toutes les poussières accumulées.

ATTENTION !

Pensez à essuyer toutes les parties du fauteuil s'il est mouillé ou humide après l'avoir nettoyé ou s'il a pris l'eau ou l'humidité pendant que vous l'utilisez.

DANGER !

Ceci est particulièrement important pour éviter tout risque de contamination si plusieurs personnes utilisent le même fauteuil.

Mesure d'hygiène en cas de cession du fauteuil :

Avant de laisser une autre personne utiliser le fauteuil, il convient de l'apprêter soigneusement. Toutes les surfaces entrant en contact avec le nouvel utilisateur doivent être désinfectées.

Pour cela, vous devez utiliser un désinfectant à base d'alcool à séchage rapide utilisé pour les produits et instruments médicaux.

Suivez toujours les instructions du fabricant du produit désinfectant utilisé.

En règle générale, une désinfection totale ne peut être garantie sur les coutures. Par conséquent et conformément à la réglementation locale relative à la protection contre les infections, il est recommandé de mettre au rebut la toile du siège et du dossier afin d'éviter toute contamination micro-bactérienne par les agents actifs.

ATTENTION !

- Ne pas utiliser de dissolvant, d'eau de Javel, d'abrasifs, de détergents synthétiques, de cirage ou d'aérosols.
- Il est possible d'utiliser des désinfectants en les diluant de la façon indiquée par le fabricant.
- Assurez-vous que les surfaces sont rincées avec de l'eau propre et entièrement séchées.

AVERTISSEMENT !

- Lisez toujours les étiquettes des détachants à usage professionnel ou privé.
- Suivez toujours scrupuleusement les instructions.

Nettoyage des commandes :  Boîtier de commande

Si les commandes de votre fauteuil roulant sont sales, vous pouvez les nettoyer avec un chiffon humide et un désinfectant dilué.

DANGER !

Important : Si le fauteuil est destiné à être utilisé par plusieurs personnes, respectez scrupuleusement les consignes de nettoyage et de désinfection pour éviter tout risque de contamination croisée.

8.6 Entreposage à moyen et long terme :

Lorsque vous entreposez votre fauteuil roulant pendant des périodes prolongées (plus d'une semaine), suivez les instructions suivantes :

- Rechargez complètement les batteries du fauteuil pendant au moins 24 heures.
- Débranchez le chargeur.
- Débranchez les batteries.

AVERTISSEMENT !

N'entreposez jamais votre fauteuil :

- À l'extérieur.
- À la lumière directe, (les composants en plastique peuvent se décolorer).
- À proximité d'une source de chaleur directe.
- Dans un environnement humide.
- Dans un environnement froid.
- Avec les batteries/blocs batteries branchés (même si le boîtier de commande est éteint).

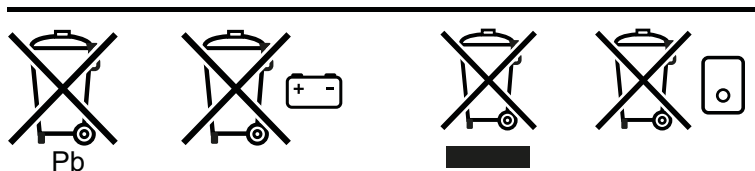
En respectant les consignes ci-dessus, vous éviterez les cycles de décharge complets des batteries et prolongerez la durée de vie des batteries.

Lors de la première remise en service du fauteuil; rebranchez les batteries/blocs batteries et rechargez le fauteuil pendant au moins 24 heures avant de le réutiliser.

9.0 Enlèvement

Le symbole ci-dessous signifie que votre produit doit être mis au rebut séparément de vos autres déchets ménagers, conformément aux réglementations et lois locales. Lorsque le produit atteint la fin de son cycle de vie, veuillez l'emmener aux points de ramassage conçus à cet effet par les autorités locales. Le ramassage séparé et le recyclage de votre produit au moment de l'enlèvement aideront à préserver les ressources naturelles et à s'assurer qu'il est recyclé d'une manière respectueuse de l'environnement.

Assurez-vous d'être le propriétaire légal du produit avant d'organiser sa mise au rebut conformément aux recommandations et aux réglementations nationales.



La section suivante décrit les différents matériaux composant le fauteuil en vue de la mise au rebut ou du recyclage du fauteuil et de ses matériaux d'emballage.

Renseignez-vous sur la réglementation en vigueur relative à l'élimination ou au recyclage de votre fauteuil. Vous serez tenu de la respecter le jour de la mise au rebut de votre fauteuil. (notamment le nettoyage ou la décontamination du fauteuil roulant avant sa mise au rebut).

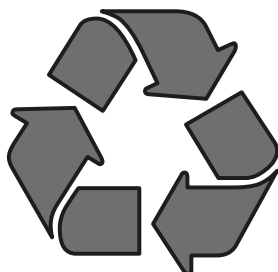
Aluminium : Fourches, roues, protections latérales du châssis.

Acier : Points d'arrimage, axe à déverrouillage rapide

Plastique : Revêtement des poignées, butées des montants, roues avant, et roue/pneu


Emballage : Sacs en plastique composés de polyéthylène, cartons

La mise au rebut ou le recyclage doit être assuré par un agent spécialisé ou une décharge agréée. Vous pouvez également renvoyer votre fauteuil roulant à votre revendeur qui se chargera de sa mise au rebut.




10.0 Dépannage


Si le fauteuil ne fonctionne pas normalement, vérifiez ce qui suit.

- Vérifiez que les batteries sont chargées.
- Éteignez, puis rallumez le fauteuil.
- Vérifiez que les fiches des batteries sont bien connectées.
- Vérifiez que le levier de débrayage est en position CONDUITE
- Vérifier la position du régulateur de vitesse.
- Vérifiez que le boîtier de commande n'est pas verrouillé  Boîtier de commande

Si le problème persiste :

-  Boîtier de commande

11.0 Caractéristiques techniques : Normes en vigueur

 Ce produit porte le symbole CE et est conforme aux réglementations et directives relatives aux dispositifs médicaux. Le produit satisfait les exigences et les normes suivantes. La conformité a été vérifiée par des organismes indépendants.

Standard	Définition / description	Poids du mannequin anthropomorphe	
Règlement sur les dispositifs médicaux (UE) 2017/745	Applicable tel que mentionné à l'Annexe 1		
EN 12182 : 2012 Classe B	Produits d'assistance pour personnes en situation de handicap - Exigences générales et les méthodes d'essai	SEDEO Pro	SEDEO Lite
	Q500 M Q500 F Q500 R Q500 H	160 kg	136 kg
EN 12184 : 2014 Classe B	Fauteuils roulants électriques, scooters et leurs chargeurs - Exigences et méthodes d'essai	SEDEO Pro	SEDEO Lite
	Q500 M Q500 F Q500 R Q500 H	160 kg	136 kg
ISO 7176-8 : 2014	Exigences de résistance statique, de résistance au choc et de résistance à la fatigue.	N/D	N/D
ISO 7176-9 : 2009	Essais climatiques pour fauteuils roulants électriques	N/D	N/D
ISO 7176-14 : 2008	Exigences et méthodes d'essai relatives aux systèmes de commande des fauteuils roulants électriques	N/D	N/D
ISO 7176-16 : 2012	Exigences de résistance à l'inflammation des parties rembourrées.	N/D	N/D
ISO 7176-19 : 2008	Fauteuils roulants - Partie 19 : Dispositifs de mobilité montés sur roues et destinés à être utilisés comme sièges dans des véhicules à moteur : La série Q répond aux exigences d'essai de collision, tel que décrit dans ISO 7176-19	SEDEO Pro	SEDEO Lite
	Q500 M Q500 F Q500 R Q500 H	104 kg	75 kg

Modèle	Série Q500		
Type / configuration Roue motrice centrale	Q500 M		
Charge maximale			
Avec le Sedeo Lite	136 kg	300 lbs.	
Avec le Sedeo Pro	160 kg	350 lbs.	
EN12184 classe :	B		

Description	Valeurs du système métrique		Valeurs du système impérial et valeurs alternatives	
	Minimum	Maximum	Minimum	Maximum
Longueur totale (avec repose-jambes)				
Roue motrice centrale				
Q500 M Sedeo Lite Palette centrale	1100 mm	1130 mm	43,3"	51,2"
Q500 M Sedeo Pro Potences escamotables	1280 mm	1280 mm	50,4"	50,4"
Largeur totale				
Q500 M Roues motrices 13"	610 mm	620 mm	24,0"	24,4"
Q500 M Roues motrices 14"	635 mm		25,0"	
Poids total				
Configuration de base, avec batteries				
Q500 M Sedeo Lite	130 kg	138 kg	286,6 lbs.	304,2 lbs.
Q500 M Sedeo Pro	130 kg	138 kg	286,6 lbs.	304,2 lbs.
Éléments impactant le poids total				
Batteries				
50 Ah AGM (C20) (2 unités)	27 kg		+ 59,5 lbs.	
60 Ah GEL (C20) (2 unités)	43 kg		+ 94,8 lbs.	
80 Ah GEL (C20) (2 unités)	50,2 kg		+ 110,7 lbs.	
Poids du composant le plus lourd	24,2 kg		53,3 lbs.	
Stabilité dynamique : Inclinaison nominale				
Q500 M Roue motrice centrale	6°		10,5 %	
Distance de freinage minimale à vitesse max. Q500 M	3400 mm		133,9"	
Stabilité statique				
Q500 M Sedeo Lite Vers le bas / Vers le haut / Latéralement	9°/9°/9°	13°/15°/13°	15,8%/15,8%/15,8%	23%/26%/23%
Q500 M Sedeo Pro Vers le bas / Vers le haut / Latéralement	9°/9°/9°	13°/15°/13°	15,8%/15,8%/15,8%	23%/26%/23%
Distances parcourues				
<i>NB : Les éléments suivants impactent négativement les distances pouvant être parcourues : Obstacles, terrains accidentés, conduite en pente, exposition à des températures inférieures à 0 °C et utilisation répétée des options d'assise électriques.</i>				
6 km/h Batteries 80 Ah Q500 M	32,5 km	40,0 km	20,2 miles	24,9 miles
8 km/h Batteries 80 Ah Q500 M	30,0 km	37,5 km	18,6 miles	23,3 miles
10 km/h Batteries 80 Ah Q500 M	27,5 km	35,0 km	17,1 miles	21,7 miles
12,5 km/h Batteries 80 Ah Q500 M	25,0 km	32,5 km	15,5 miles	20,2 miles
Capacité de franchissement d'obstacles				
Q500 M Roue motrice centrale	50 mm		2,0"	
Vitesse max. marche avant				
Q500 M Roue motrice centrale	6 km/h	12,5 km/h	6 km/h	12,4 km/h
Rayon de braquage				
Q500 M Roue motrice centrale	560 mm	630 mm	22,0"	24,8"
Espace de braquage / Largeur requise pour faire marche arrière				
Q500 M Roue motrice centrale	1100 mm		43,0"	
Garde au sol				
Q500 M Roue motrice centrale	90 mm		3,5"	

Description	Valeurs du système métrique		Valeurs du système impérial et valeurs alternatives	
	Minimum	Maximum	Minimum	Maximum
Dimensions max. des batteries (l x l x h)	260 x 172 x 210 mm		10,2 x 6,8 x 8,3"	
Capacité de la batterie	50 Ah / 60 Ah / 80 Ah		50 Ah / 60 Ah / 80 Ah	
Tension de charge maximale	24 V		24 V	
Courant de charge maximum	12 A (rms)		12 A (rms)	
Type de connecteur	📖 Manuel boîtier de commande		📖 Manuel boîtier de commande	
Isolation	Double isolation Classe 2		Double isolation Classe 2	

Modèle	Série Q500	
Type / configuration Roue motrice traction	Q500 F	
Charge maximale		
Avec le Sedeo Lite	136 kg	300 lbs.
Avec le Sedeo Pro	160 kg	350 lbs.
EN12184 classe :	B	

Description	Valeurs du système métrique		Valeurs du système impérial et valeurs alternatives	
	Minimum	Maximum	Minimum	Maximum
Longueur totale (avec repose-jambes)				
Roue motrice traction				
Q500 F Sedeo Lite Palette centrale	1280 mm	1340 mm	50,4"	52,8"
Q500 F Sedeo Pro Palette centrale	1280 mm	1340 mm	50,4"	52,8"
Largeur totale				
Q500 F Roues motrices 13"	615 mm		24,2"	
Q500 F Roues motrices 14"	640 mm		25,2"	
Poids total				
Configuration de base, avec batteries				
Q500 F Sedeo Lite	130 kg	135 kg	286,6 lbs.	297,6 lbs.
Q500 F Sedeo Pro + anti-cisaillement	133 kg	138 kg	293 lbs.	304 lbs.
Éléments impactant le poids total				
Batteries				
50 Ah AGM (C20) (2 unités)	27 kg		+ 59,5 lbs.	
60 Ah GEL (C20) (2 unités)	43 kg		+ 94,8 lbs.	
80 Ah GEL (C20) (2 unités)	48,4 kg		+ 106,7 lbs.	
Poids du composant le plus lourd	24,2 kg		53,4 lbs.	
Stabilité dynamique : Inclinaison nominale				
Q500 F Roue motrice traction	6°		10,5 %	
Distance de freinage minimale à vitesse max. Q500 F	3400 mm		133,9"	
Stabilité statique				
Q500 F Sedeo Lite Vers le bas / Vers le haut / Latéralement	9°/9°/9°	15°/15°/12°	15,8%/15,8%/15,8%	26%/26%/21,2%
Q500 F Sedeo Pro Vers le bas / Vers le haut / Latéralement	9°/9°/9°	15°/15°/12°	15,8%/15,8%/15,8%	26%/26%/21,2%
Distances parcourues				
<i>NB : Les éléments suivants impactent négativement les distances pouvant être parcourues : Obstacles, terrains accidentés, conduite en pente, exposition à des températures inférieures à 0 °C et utilisation répétée des options d'assise électriques.</i>				
6 km/h Batteries 80 Ah Q500 F	32,5 km	40,0 km	20,2 miles	24,9 miles
8 km/h Batteries 80 Ah Q500 F	30,0 km	37,5 km	18,6 miles	23,3 miles
10 km/h Batteries 80 Ah Q500 F	27,5 km	35,0 km	17,1 miles	21,7 miles
12,5 km/h Batteries 80 Ah Q500 F	25,0 km	32,5 km	15,5 miles	20,2 miles
Capacité de franchissement d'obstacles				
Q500 F Roue motrice traction	70 mm		2,75"	
Vitesse max. marche avant				
Q500 F Roue motrice traction	6 km/h	12,5 km/h	6 km/h	12,4 km/h
Rayon de braquage				
Q500 F Roue motrice traction	735 mm		28,9"	
Espace de braquage / Largeur requise pour faire marche arrière				
Q500 F Roue motrice traction	1240 mm		48,8"	
Garde au sol				
Q500 F Roue motrice traction	60 mm		2,36"	

Description	Valeurs du système métrique		Valeurs du système impérial et valeurs alternatives	
	Minimum	Maximum	Minimum	Maximum
Dimensions max. des batteries (l X L X H)	260 x 172 x 210 mm		10,2 x 6,8 x 8,3"	
Capacité de la batterie	50 Ah / 60 Ah / 80 Ah		50 Ah / 60 Ah / 80 Ah	
Tension de charge maximale	24 V		24 V	
Courant de charge maximum	12 A (rms)		12 A (rms)	
Type de connecteur	📖 Manuel boîtier de commande		📖 Manuel boîtier de commande	
Isolation	Double isolation Classe 2		Double isolation Classe 2	

Modèle	Série Q500		
Type / configuration Roue motrice propulsion	Q500 R		
Charge maximale			
Avec le Sedeo Lite	136 kg	300 lbs.	
Avec le Sedeo Pro	160 kg	350 lbs.	
EN12184 classe :	B		

Description	Valeurs du système métrique		Valeurs du système impérial et valeurs alternatives	
	Minimum	Maximum	Minimum	Maximum
Longueur totale (avec repose-jambes) Roue motrice propulsion				
Q500 R Sedeo Lite Palette centrale	1290 mm	1370 mm	50,8"	53,9"
Q500 R Sedeo Pro Potences escamotables	1110 mm	1180 mm	43,7"	46,4"
Largeur totale Q500 R Roues motrices 13"	615 mm		24,2"	
Q500 R Roues motrices 14"	640 mm		25,2"	
Poids total Configuration de base, avec batteries				
Q500 R Sedeo Lite	130 kg	135 kg	286,6 lbs.	297,6 lbs.
Q500 R Sedeo Pro + anti-cisaillement	133 kg	138 kg	293 lbs.	304 lbs.
Éléments impactant le poids total Batteries				
50 Ah AGM (C20) (2 unités)	27 kg		+ 59,5 lbs.	
60 Ah GEL (C20) (2 unités)	43 kg		+ 94,8 lbs.	
80 Ah GEL (C20) (2 unités)	48,4 kg		+ 106,7 lbs.	
Poids du composant le plus lourd	24,2 kg		53,4 lbs.	
Stabilité dynamique : Inclinaison nominale Q500 R Roue motrice propulsion	10°		17,6 %	
Distance de freinage minimale à vitesse max. Q500 R	3400 mm		133,9"	
Stabilité statique				
Q500 R Sedeo Lite Vers le bas / Vers le haut / Latéralement	9°/9°/9°	13°/15°/13°	15,8%/26%/15,8%	23%/26%/23%
Q500 R Sedeo Pro Vers le bas / Vers le haut / Latéralement	9°/9°/9°	13°/15°/13°	15,8%/26%/15,8%	23%/26%/23%
Distances parcourues <i>NB : Les éléments suivants impactent négativement les distances pouvant être parcourues : Obstacles, terrains accidentés, conduite en pente, exposition à des températures inférieures à 0 °C et utilisation répétée des options d'assise électriques.</i>				
6 km/h Batteries 80 Ah Q500 R	32,5 km	40,0 km	20,2 miles	24,9 miles
8 km/h Batteries 80 Ah Q500 R	30,0 km	37,5 km	18,6 miles	23,3 miles
10 km/h Batteries 80 Ah Q500 R	27,5 km	35,0 km	17,1 miles	21,7 miles
12,5 km/h Batteries 80 Ah Q500 R	25,0 km	32,5 km	15,5 miles	20,2 miles
Capacité de franchissement d'obstacles Roue motrice propulsion Q500 R	80 mm		3,14"	
Capacité de franchissement d'obstacles avec monte-trottoir Roue motrice propulsion Q500 R	100 mm		3,9"	
Vitesse max. marche avant Q500 R Roue motrice propulsion	6 km/h	12,5 km/h	6 km/h	12,4 km/h
Rayon de braquage Q500 R Roue motrice propulsion	950 mm		37,4"	
Espace de braquage / Largeur requise pour faire marche arrière Q500 R Roue motrice propulsion	1258 mm		50,6"	
Garde au sol Q500 R Roue motrice propulsion	65 mm		2,55"	

Description	Valeurs du système métrique		Valeurs du système impérial et valeurs alternatives	
	Minimum	Maximum	Minimum	Maximum
Dimensions max. des batteries (l x l x h)	260 x 172 x 210 mm		10,2 x 6,8 x 8,3"	
Capacité de la batterie	50 Ah / 60 Ah / 80 Ah		50 Ah / 60 Ah / 80 Ah	
Tension de charge maximale	24 V		24 V	
Courant de charge maximum	12 A (rms)		12 A (rms)	
Type de connecteur	📖 Manuel boîtier de commande		📖 Manuel boîtier de commande	
Isolation	Double isolation Classe 2		Double isolation Classe 2	

Modèle	Série Q500		
Type / configuration Roue motrice centrale	Q500 H		
Charge maximale			
Avec le Sedeo Pro	160 kg	350 lbs.	
EN12184 classe :	B		

Description	Valeurs du système métrique		Valeurs du système impérial et valeurs alternatives	
	Minimum	Maximum	Minimum	Maximum
Longueur totale (avec repose-jambes) Q500 H Sedeo Pro Potences escamotables	1195 mm		47,0"	
Largeur totale Q500 H Roues motrices 13"	620 mm		24,4"	
Q500 H Roues motrices 14"	640 mm		25,2"	
Poids total Configuration de base, avec batteries				
Q500 H Sedeo Pro + anti cisaillement	128 kg	178 kg	282,2 lbs.	392,4 lbs.
Éléments impactant le poids total				
Batteries				
50 Ah AGM (C20) (2 unités)	27 kg		+ 59,5 lbs.	
60 Ah GEL (C20) (2 unités)	43 kg		+ 94,8 lbs.	
80 Ah GEL (C20) (2 unités)	50,2 kg		+ 110,7 lbs.	
Poids du composant le plus lourd	24,2 kg		53,4 lbs.	
Stabilité dynamique : Inclinaison nominale Q500 H Base motrice hybride	10°		17,6 %	
Distance de freinage minimale à vitesse max. Q500 H	3400 mm		133,9"	
Stabilité statique				
Q500 H Sedeo Pro Vers le bas / Vers le haut / Latéralement	9°/9°/9°	13°/15°/ 13°	15,8%/26%/15,8%	23%/26%/23%
Distances parcourues <i>NB : Les éléments suivants impactent négativement les distances pouvant être parcourues : Obstacles, terrains accidentés, conduite en pente, exposition à des températures inférieures à 0 °C et utilisation répétée des options d'assise électriques.</i>				
6 km/h Batteries 80 Ah Q500 H	32,5 km	40,0 km	20,2 miles	24,9 miles
8 km/h Batteries 80 Ah Q500 H	30,0 km	37,5 km	18,6 miles	23,3 miles
10 km/h Batteries 80 Ah Q500 H	27,5 km	35,0 km	17,1 miles	21,7 miles
12,5 km/h Batteries 80 Ah Q500 H	25,0 km	32,5 km	15,5 miles	20,2 miles
Capacité de franchissement d'obstacles Q500H Sans élan et avec un élan sur 0,5 mètre.	50 mm	85 mm	1,97"	3,35"
Vitesse max. marche avant Q500 H	6 km/h	12,5 km/h	6 km/h	12,4 km/h
Rayon de braquage Q500 H	910 mm		35,8"	
Espace de braquage / Largeur requise pour faire marche arrière Q500 H	1260 mm		49,6"	
Garde au sol Q500 H	80 mm		3,15"	

Description	Valeurs du système métrique		Valeurs du système impérial et valeurs alternatives	
	Minimum	Maximum	Minimum	Maximum
Dimensions max. des batteries (I X L X H)	260 x 172 x 210 mm		10,2 x 6,8 x 8,3"	
Capacité de la batterie	50 Ah / 60 Ah / 80 Ah		50 Ah / 60 Ah / 80 Ah	
Tension de charge maximale	24 V		24 V	
Courant de charge maximum	12 A (rms)		12 A (rms)	
Type de connecteur	📖 Manuel boîtier de commande		📖 Manuel boîtier de commande	
Isolation	Double isolation Classe 2		Double isolation Classe 2	

Caractéristiques techniques : Système d'assise SEDEO Lite

	Valeurs du système métrique		Valeurs du système impérial et valeurs alternatives	
	Minimum	Maximum	Minimum	Maximum
Réglage de l'angle d'inclinaison de l'assise				
Bascule d'assise électrique avec ajustement du centre de gravité En option	0° - 30°		-5° - 25°	
Bascule d'assise électrique avec ajustement du centre de gravité En option	-5° - 25°		0° - 30°	
Bascule d'assise électrique avec ajustement du centre de gravité En option	0° - 50°		0° - 50°	
Profondeur utile de l'assise	410 mm	560 mm	16,1"	22,0"
Largeur utile de l'assise	385 mm	510 mm	15,2"	20,1"
Hauteur sol-siège				
Module d'assise manuel (sans mécanisme électrique de bascule d'assise, sans lift)				
Pos. 1 Batteries 60 A Angle d'assise de 0°	415 mm		16,3"	
Pos. 2 Batteries 60 ou 80 A Angle d'assise de 0°	440 mm		17,3"	
Pos. 3 Batteries 60 ou 80 A Angle d'assise de 0°	465 mm		18,3"	
Pos. 4 Batteries 60 ou 80 A Angle d'assise de 0°	490 mm		19,3"	
Bascule d'assise électrique avec lift (300 mm)				
Pos. 1 Batteries 60 ou 80 A Angle d'assise de 0°	440 mm	740 mm	17,3"	29,1"
Pos. 2 Batteries 60 ou 80 A Angle d'assise de 0°	465 mm	765 mm	18,3"	30,1"
Pos. 3 Batteries 60 ou 80 A Angle d'assise de 0°	490 mm	790 mm	19,3"	31,1"
Angle d'inclinaison du dossier				
Dossier à inclinaison réglable (avec outil)	86°,90°,94°,98°,102°,106°		86°,90°,94°,98°,102°,106°	
Inclinaison électrique du dossier	85° - 120°		85° - 120°	
Hauteur du dossier (de la plaque d'assise à la partie supérieure et arrière du coussin de dossier)	460 mm	510 mm	18,1"	20,1"
Accoudoir rabattable				
Hauteur de manchette d'accoudoir (de la plaque d'assise à la partie supérieure de la manchette)	190 mm	320 mm	7,5"	12,6"
Profondeur de manchette d'accoudoir (profil d'accoudoir)	100 mm		3,9"	
Inclinaison de manchette d'accoudoir (verticale)	0° - 15°		0° - 15°	
Accoudoir escamotable				
Hauteur de manchette d'accoudoir (de la plaque d'assise à la partie supérieure de la manchette)	250 mm	400 mm	9,8"	15,7"
Largeur d'accoudoir (sur châssis)	-20 mm	+20 mm	-0,79"	+0,79"
Largeur de manchette d'accoudoir (profil d'accoudoir)	-20 mm		-0,79"	
Profondeur de l'accoudoir (sur châssis)	250 mm		9,8"	
Profondeur de manchette d'accoudoir (profil d'accoudoir)	140 mm		5,5"	
Inclinaison de manchette d'accoudoir (verticale)	0° - 15°		0° - 15°	
Potence centrale				
Longueur du segment jambier (à partir de la plaque d'assise)	305 mm	460 mm	12"	18,1"
Angle genou	70° - 120°		70° - 120°	
Angle d'inclinaison au niveau des chevilles	+20° - -40°		+20° - -40°	
Repose-jambe central électrique				
Longueur du segment jambier (à partir de la plaque d'assise)	210 mm	470 mm	8,3"	18,5"
Angle genou	90° - 180°		90° - 180°	
Longueur maximale de compensation	180 mm		7,1"	
Angle d'inclinaison au niveau des chevilles	+35° - -15°		+35° - -15°	

**Caractéristiques techniques : Système d'assise SEDEO Lite
(suite)**

	Valeurs du système métrique		Valeurs du système impérial et valeurs alternatives	
	Minimum	Maximum	Minimum	Maximum
Potences SEDEO LITE				
Longueur du segment jambier (à partir de la plaque d'assise)	350 mm	510 mm	13,8"	20,1"
Angle genou	70°		70°	
Angle d'inclinaison au niveau des chevilles	0° - 180°		0° - 180°	
Repose-jambes SEDEO LITE manuels/électriques				
Longueur du segment jambier (à partir de la plaque d'assise)	350 mm	510 mm	13,8"	20,1"
Angle genou	0° - 70°		0° - 70°	
Angle d'inclinaison au niveau des chevilles	0° - 180°		0° - 180°	
Repose-jambes escamotables UNI				
Longueur du segment jambier (à partir de la plaque d'assise)	350 mm	510 mm	13,8"	20,1"
Angle genou	70°		70°	
Angle d'inclinaison au niveau des chevilles	0° - 180°		0° - 180°	
Potences escamotables SEDEO PRO				
Longueur du segment jambier (à partir de la plaque d'assise)	350 mm	510 mm	13,8"	20,1"
Angle genou	70°		70°	
Angle d'inclinaison au niveau des chevilles	0° - 180°		0° - 180°	
Repose-jambes SEDEO PRO manuels/électriques				
Longueur du segment jambier (à partir de la plaque d'assise)	350 mm	510 mm	13,8"	20,1"
Angle genou	0° - 70°		0° - 70°	
Angle d'inclinaison au niveau des chevilles	0° - 180°		0° - 180°	
Fixation d'appui-tête multi-positions SEDEO				
Plage de réglage de hauteur de l'appui-tête	170 mm		6,7"	
Plage de réglage de profondeur de l'appui-tête	200 mm		7,9"	
Angle de l'appui-tête (vertical)	-45° - +45°		-45° - +45°	
Largeur de l'appui-tête	-20 mm	20 mm	-0,8"	+0,8"
Cales tronc				
Plage de réglage de la largeur des cales tronc	90 mm		3,5"	
Plage de réglage de la hauteur des cales tronc	170 mm		6,7"	
Plage de réglage de la profondeur des cales tronc	45 mm		1,8"	
Plot d'abduction				
Hauteur du plot (de la plaque d'assise à la partie supérieure du coussin)	170 mm	250 mm	6,7"	9,8"
Plage de réglage de profondeur du plot	65 mm		2,5"	

Caractéristiques techniques : Système d'assise SEDEO Pro

			Valeurs du système métrique		Valeurs du système impérial et valeurs alternatives	
			Minimum	Maximum	Minimum	Maximum
Réglage de l'angle d'inclinaison du siège						
Bascule d'assise électrique avec ajustement du centre de gravité en option			0° - 30°		0° - 30°	
Bascule d'assise électrique avec ajustement du centre de gravité en option			-5° - 25°		-5° - 25°	
Bascule d'assise électrique avec ajustement du centre de gravité en option			0° - 50°		0° - 50°	
Bascule d'assise électrique avec ajustement du centre de gravité en option			-5° - 45°		-5° - 45°	
Profondeur utile du siège			400 mm	560 mm	15,7"	22,0"
Largeur utile du siège			380 mm	560 mm	15"	22,0"
Hauteur sol-siège						
Module d'assise manuel (sans mécanisme électrique de bascule d'assise, sans lift)						
Pos. 1	Batteries 60 Ah	Angle d'inclinaison du siège de 0°	425 mm		16,7"	
Pos. 2	Batteries 60 ou 80 Ah	Angle d'inclinaison du siège de 0°	440 mm		17,3"	
Pos. 3	Batteries 60 ou 80 Ah	Angle d'inclinaison du siège de 0°	465 mm		18,3"	
Pos. 4	Batteries 60 ou 80 Ah	Angle d'inclinaison du siège de 0°	490 mm		19,3"	
Bascule d'assise électrique avec lift (300 mm)						
Pos. 1	Batteries 60 Ah	Angle d'inclinaison du siège de 0°	425 mm	725 mm	16,7"	28,5"
Pos. 2	Batteries 60 ou 80 Ah	Angle d'inclinaison du siège de 0°	440 mm	740 mm	17,3"	29,1"
Pos. 3	Batteries 60 ou 80 Ah	Angle d'inclinaison du siège de 0°	465 mm	765 mm	18,3"	30,1"
Pos. 4	Batteries 60 ou 80 Ah	Angle d'inclinaison du siège de 0°	490 mm	790 mm	19,3"	31,1"
Angle d'inclinaison du dossier						
Dossier réglable en angle (avec outil)			90° - 120°		90° - 120°	
Inclinaison électrique du dossier			90° - 130°		90° - 130°	
Inclinaison électrique avec compensation			90° - 150°		90° - 150°	
Hauteur du dossier (de la plaque d'assise à la partie supérieure et arrière du coussin de dossier)			530 mm	720 mm	20,9"	28,3"
Accoudoir relevable / Accoudoir amovible						
Hauteur de manchette d'accoudoir (de la plaque d'assise à la partie supérieure de la manchette)			260 mm	380 mm	10,2"	15"
Largeur d'accoudoir (sur châssis)			-20 mm	+20 mm	-0,8"	+0,8"
Largeur de manchette d'accoudoir (profil d'accoudoir)			-20 mm		-0,8"	
Profondeur de l'accoudoir (sur châssis avec rail d'assise court)			250 mm		10,8"	
Profondeur de manchette d'accoudoir (profil d'accoudoir)			100 mm		3,9"	
Inclinaison de manchette d'accoudoir (verticale)			0° - 15°		0° - 15°	
Accoudoir relevable						
Hauteur de manchette d'accoudoir (de la plaque d'assise à la partie supérieure de la manchette)			250 mm	400 mm	9,8"	15,7"
Largeur de manchette d'accoudoir (profil d'accoudoir)			-20 mm		-0,8"	
Profondeur de manchette d'accoudoir (profil d'accoudoir)			140 mm		5,5"	
Inclinaison de manchette d'accoudoir (verticale)			0° - 15°		0° - 15°	
Potence centrale						
Longueur du segment jambier (à partir de la plaque d'assise)			305 mm	460 mm	12"	18,1"
Angle genou			70° - 120°		70° - 120°	
Angle d'inclinaison au niveau des chevilles			+20° - -40°		+20° - -40°	

**Caractéristiques techniques : Système d'assise SEDEO Pro
(suite)**

	Valeurs du système métrique		Valeurs du système impérial et valeurs alternatives	
	Minimum	Maximum	Minimum	Maximum
Repose-jambe central électrique				
Longueur du segment jambier (à partir de la plaque d'assise)	210 mm	470 mm	8,3"	18,5"
Angle genou	90° - 180°		90° - 180°	
Longueur maximale de compensation	180 mm		7,1"	
Angle d'inclinaison au niveau des chevilles	+35° - -15°		+35° - -15°	
Repose-jambes escamotables				
Longueur du segment jambier (à partir de la plaque d'assise)	350 mm	510 mm	13,8"	20,1"
Angle genou	70°		70°	
Angle d'inclinaison au niveau des chevilles	0° - 180°		0° - 180°	
Repose-jambes escamotables à inclinaison manuelle/électrique				
Longueur du segment jambier (à partir de la plaque d'assise)	350 mm	510 mm	13,8"	20,1"
Angle genou	0° - 70°		0° - 70°	
Angle d'inclinaison au niveau des chevilles	0° - 180°		0° - 180°	
Fixation d'appui-tête multi-positions SEDEO				
Plage de réglage de hauteur de l'appui-tête	170 mm		6,7"	
Fourchette de réglage de profondeur de l'appui-tête	200 mm		7,9"	
Angle de l'appui-tête (vertical)	-45° - +45°		-45° - +45°	
Largeur de l'appui-tête	-20 mm	20 mm	-0,8"	+0,8"
Cales tronc				
Plage de réglage de la largeur des cales tronc	90 mm		3,5"	
Fourchette de réglage de la hauteur des supports latéraux	170 mm		6,7"	
Fourchette de réglage de la profondeur des supports latéraux	45 mm		1,8"	
Plot d'abduction				
Hauteur du plot (de la plaque d'assise à la partie supérieure du coussin)	170 mm	250 mm	6,7"	9,8"
Fourchette de réglage de profondeur du plot	65 mm		2,5"	
Fourchette de réglage en hauteur de la barre de poussée	140 mm		5,5"	

12.0 Garantie

CELA N'AFFECTE EN AUCUN CAS VOS DROITS LEGAUX.

La garantie de Sunrise Medical* est détaillée dans les conditions de garantie suivantes.

Conditions de garantie :

1. Si une ou plusieurs pièces devaient être remplacées ou réparées suite à un vice de fabrication et/ou de matériel dans les 24 mois, la ou les pièces seront remplacées ou réparées gratuitement. La garantie ne couvre que les vices de fabrication.
2. Pour faire jouer la garantie, veuillez contacter le fournisseur de votre fauteuil roulant, par ex. le revendeur Sunrise Medical agréé ou prestataire de santé en lui précisant la nature exacte du problème. En cas d'utilisation du produit dans une zone située en dehors du territoire du service après-vente (revendeur) Sunrise Medical, les réparations ou remplacements seront assurés par un autre service après-vente désigné par le fabricant. Le produit doit être réparé par un service après-vente désigné par Sunrise Medical.
3. Toute pièce réparée ou échangée dans le cadre de la garantie est couverte par la garantie pour la période restante conformément au point 1.
4. Concernant les pièces détachées d'origine installées ultérieurement et au frais du client, celles-ci sont couvertes par une garantie de 12 mois (à compter de l'installation), conformément aux présentes conditions de garantie.
5. La garantie ne peut être actionnée si la réparation ou l'échange du produit ou d'une pièce découle de l'un des cas de figure suivants :
 - a. L'usure normale, notamment celle des batteries, des accoudoirs, des toiles, des pneus, des patins de frein, fixations, etc.
 - b. Les anomalies découlant de la surcharge du produit. La charge maximale d'utilisation est indiquée sur l'étiquette CE.
 - c. Le produit n'a pas été entretenu ou révisé conformément aux recommandations du fabricant, telles qu'indiquées dans le manuel d'utilisation et/ou les notices d'entretien.
 - d. Les accessoires utilisés ne sont pas des accessoires d'origine.
 - e. Le produit - ou l'une de ses pièces - a été endommagé suite à un mauvais entretien, à un accident ou à une utilisation inadéquate.
 - f. Des changements/modifications non conformes aux spécifications du fabricant ont été effectués sur le produit ou des pièces.
 - g. Les réparations ont été effectuées avant d'en avoir informé le service client.
6. Cette garantie est soumise à la loi du pays dans lequel le produit a été acheté auprès de Sunrise Medical.
7. Durée de vie

La durée de vie anticipée de ce produit est de cinq ans, dans la mesure où :

 - Il soit utilisé conformément à son usage prévu indiqué dans le présent document.
 - Toutes les conditions d'entretien et de révision sont respectées.






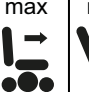



La durée de vie anticipée peut être dépassée si le produit est soigneusement utilisé et correctement entretenu, dans la mesure où les progrès techniques et scientifiques n'entraînent pas de limites techniques.


















Elle peut également être considérablement réduite en cas d'usage extrême ou incorrect.

Le fait que nous estimons une certaine durée de vie pour ce produit ne constitue aucunement une garantie supplémentaire.

* Le site Sunrise Medical depuis lequel le produit a été acheté.

13.0 Plaque signalétique

 SUNRISE MEDICAL		 Sunrise Medical GmbH Kahlbachring 2-4 D-69254 Malsch / Germany		 2020-10-19	
TYPE:		E-Rollstuhl		SN 203204229981727	
Q500 M		ISO 7176-19:2008		FIN-Nr: 5M20107584	
 136 kg	 max 385 kg	 max 6 km/h	 max 6°	 max 60kg/250kg/100kg	

TYPE :	Désignation du produit/Numéro de SKU
	Pente maximale pouvant être abordée par le fauteuil équipé de roulettes anti-bascule. Dépend de la configuration du fauteuil, de la posture et des capacités physiques de l'utilisateur.
	Poids maximum de l'utilisateur.
	Charge maximale.
	Vitesse maximale.
	Charge maximale sur essieu.
	Marquage UKCA
	Marquage CE.
	Veuillez prendre connaissance des consignes d'utilisation.
	Indique que le matériel électrique / électronique doit être éliminé conformément à la directive DEEE.
 XXXX-XX-XX	Date de fabrication.
	Numéro de série.
	Ce symbole signifie Dispositif médical.
	Coordonnée de fabricants.
	Essai de collision conformément à la norme ISO 7176-19:2008.
	Adresse de l'importateur
	Personne responsable Royaume-Uni
	Adresse du représentant en Suisse



ISO 7010-M002

L'utilisateur doit impérativement lire le manuel d'utilisation/livret ! (Icône bleue)

Neem contact op met uw plaatselijke erkende Sunrise Medical dealer, indien u vragen heeft over het gebruik, onderhoud of de veiligheid van uw rolstoel. Indien u niet weet of zich een goedgekeurde dealer in uw omgeving bevindt, of indien u andere vragen hebt, kunt u schriftelijk of telefonisch contact opnemen met:

Sunrise Medical HCM B.V.
Vossenbeemd 104
5705 CL Helmond
The Netherlands
T: +31 (0)492 593 888
E: customerservice@sunrisemedical.nl
www.SunriseMedical.nl
www.SunriseMedical.eu
(International)

Inhoudsopgave

1.0 Gebruikersinformatie	114
1.1 Deze gebruikershandleiding	114
1.2 Voor meer informatie	114
1.3 Betekenis van de symbolen die in deze handleiding worden gebruikt	115
2.0 Veiligheid	116
2.1 De symbolen en labels op het product	116
2.2 Veiligheid: Temperatuur	116
2.3 Veiligheid: Bewegende delen	117
2.4 Veiligheid: Elektromagnetische straling	117
2.5 Veiligheid: Verstikkingsgevaar	118
2.6 Veiligheid: Gebruik van een (op een voertuig bevestigde) rolstoellift	118
2.7 Veiligheid: Werkbladen	118
2.8 Veiligheid: Optillen van de rolstoel	118
3.0 Bedoelde gebruik van de rolstoel	118
3.1 Toepassingen: De gebruiker	118
3.2 Toepassingen: De omgeving van de gebruiker	120
4.0 Instellen van de rolstoel	121
4.1 Zitsysteem	121
4.2 Zithoogte	121
4.3 Zwaartekrachtspunt	121
4.4 Hoogte en diepte van de bediening	121
4.5 Programmering bedieningssysteem	121
4.6 Afstellen steunwiel	121
4.7 Heupgordel / positioneringsgordel	122
4.8 Aanpassen van de schokdemper	123
5.0 Gebruik van de rolstoel	125
5.1 Controle van de rolstoel voor gebruik	125
5.2 Overplaatsen	126
5.3 Rijden met de rolstoel	126
5.4 Bochten	127
5.5 Remmen & Noodstop	127
5.6 Rijden op een helling	128
5.7 Obstakels en stoepranden:	129
5.8 Duwen van de rolstoel	130
5.9 (Elektrisch aangedreven) zitopties	131
6.0 Accu's, opladen en bereik	132
6.1 Accu's	132
6.2 Opladen van accu's:	133
6.3 Het bereik van uw voertuig:	134
6.4 Garantie op de accu's:	135
6.5 Vervangen van accu's	135
6.6 Afkoppelen van accu's voor luchttransport	135
7.0 Transport	138
7.1 Vervoer van de rolstoel in een auto.....	138
7.2 Gebruik van het Dahl dockingsysteem (Mark II & Variodock)	140
7.3 De rolstoel als passagiersstoel	147
7.4 Speciale vereisten ten aanzien van transport.....	148
7.5 Algemene waarschuwingen voor transport	149
8.0 Onderhoud en reiniging	150
8.1 Onderhoud	150
8.2 Onderhoud banden en bandenspanning	151
8.3 Onderhoud van wielen en banden	154
8.4 Onderhoud van verlichting:	155
8.5 Reiniging en desinfectie	155
8.6 Middellange tot lange opslag:	155
9.0 Verwijdering	156
10.0 Mogelijke problemen	157
11.0 Technische specificaties: Toepasselijke normen/ standaarden	157
12.0 Garantie	166
13.0 Sticker	167

Stempel en handtekening dealer

1.0 Gebruikersinformatie

Wij danken u dat u hebt gekozen voor een Sunrise Medical rolstoel. De hoogwaardige mobiliteitsproducten van Sunrise Medical zijn ontworpen om de onafhankelijkheid te vergroten en uw dagelijkse leven gemakkelijker te maken.

Wij streven naar voortdurende verbetering van onze producten. Daarom houdt Sunrise Medical zich het recht voor specificaties en ontwerp zonder kennisgeving te wijzigen.

Wijzigingen in informatie bedoeld voor bestaande gebruikers worden echter duidelijk gecommuniceerd indien deze essentieel zijn voor de veiligheid.

Voorts zijn niet alle functies en opties die worden aangeboden te verenigen met alle configuraties van de rolstoel.

Alle maten zijn bij benadering en kunnen worden gewijzigd.




De verwachte levensduur van het product is vijf jaar. Monteer of gebruik GEEN onderdelen van andere partijen op de rolstoel, tenzij deze officieel goedgekeurd zijn door Sunrise Medical.

1.1 Deze gebruikershandleiding

Deze gebruikershandleiding helpt u uw rolstoel te gebruiken en veilig te houden. De volledige gebruikershandleiding voor deze rolstoel bestaat uit drie boekjes:

- De algemene gebruikershandleiding (dit boekje)
- De gebruikershandleiding voor het zitsysteem
- De gebruikershandleiding voor de bediening

Waar nodig wordt in deze algemene handleiding verwezen naar andere handleidingen, zoals in de tabel hieronder weergegeven:

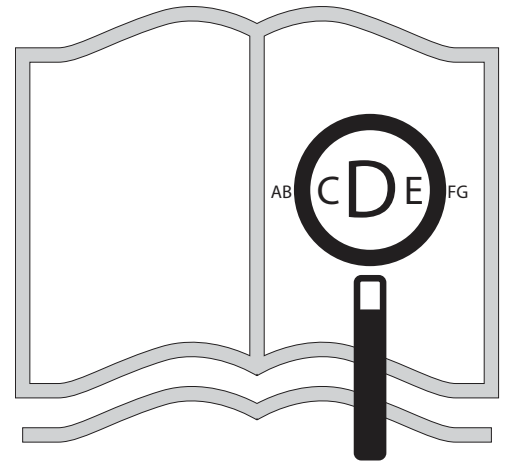
 Zitsysteem:	Verwijst naar de gebruikershandleiding voor het zitsysteem.
 Bediening:	Verwijst naar de gebruikershandleiding voor de bediening.
 Acculader:	Verwijst naar de gebruikershandleiding voor de acculader.

Gebruik uw rolstoel niet totdat u de volledige handleiding (en alle relevante boekjes) hebt doorgelezen en begrepen!

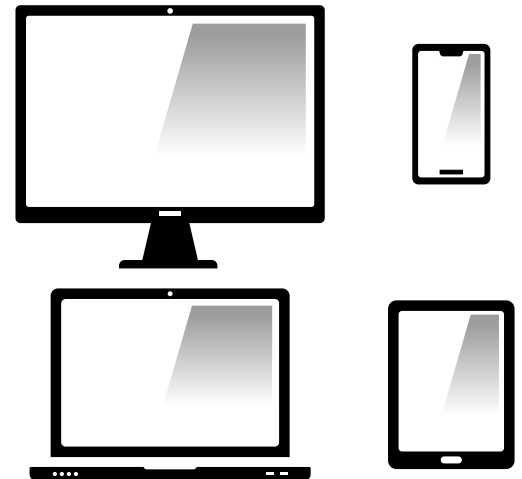
Als één van de gebruikershandleidingen ontbreekt, neem dan direct contact op met uw dealer.

1.2 Voor meer informatie

Neem contact op met uw plaatselijke erkende Sunrise Medical dealer, indien u vragen heeft over het gebruik, onderhoud of de veiligheid van uw rolstoel. Is er geen erkende dealer in uw regio of u heeft nog vragen, neem dan schriftelijk of telefonisch contact op met Sunrise Medical: Voor informatie over veiligheidswaarschuwingen of terugroepacties (ook bekend als terughaalacties of corrigerende acties), gaat u naar www.SunriseMedical.nl






Als u visueel gehandicapt bent, kan dit document ook worden gelezen in Pdf-formaat op: www.SunriseMedical.nl




en is ook beschikbaar in grote tekst formaat op aanvraag.



1.3 Betekenis van de symbolen die in deze handleiding worden gebruikt

 GEVAAR!	Mogelijk risico op letsel of ernstig letsel, of overlijden
 WAARSCHUWING!	Mogelijk risico op letsel
 OPGELET!	Mogelijke schade aan apparatuur

 SUNRISE MEDICAL verklaart als fabrikant dat dit product voldoet aan de EU-verordening Medische hulpmiddelen (Medical Device Regulation, MDR) (2017/745).

OPMERKING:

Algemeen advies.

Wanneer deze instructies niet worden opgevolgd, kan dit leiden tot fysiek letsel, schade aan het product of schade aan de omgeving!

Een mededeling aan de gebruiker en/of patiënt: Als dit product betrokken was bij een ernstig incident, dient dit aan Sunrise Medical en de bevoegde autoriteit van de Lidstaat waarin de gebruiker en/of patiënt is gevestigd, te worden gemeld.

Built-4-Me speciale aanpassingen

Sunrise Medical adviseert nadrukkelijk alle bij uw Built-4-Me product meegeleverde gebruikersinformatie zorgvuldig door te lezen voordat u het product voor het eerst gebruikt. Alleen wanneer u de gebruiksaanwijzingen volledig hebt doorgelezen en begrijpt, bent u ervan verzekerd dat het Built-4-Me product functioneert en presteert zoals de fabrikant dit heeft bedoeld.

Sunrise Medical adviseert tevens de gebruikersinformatie na het lezen niet weg te gooien, maar het veilig op te bergen, zodat u de informatie later nog eens kunt doornemen.

Combinaties van medische hulpmiddelen

Het is eventueel mogelijk om dit medische hulpmiddel met één of meerdere andere medische hulpmiddelen of een ander product te combineren. Kijk voor informatie over mogelijke combinaties op www.Sunrisemedical.nl Alle op de lijst vermelde combinaties zijn gevalideerd om te voldoen aan de Algemene veiligheids- en prestatievereisten, Bijlage I nr. 14.1 van de MDR - Verordening voor Medische hulpmiddelen (2017/745).

Richtlijnen voor de combinatie, zoals de bevestiging, vindt u op www.SunriseMedical.nl.

2.0 Veiligheid

Volg de aanwijzingen naast deze waarschuwingssymbolen nauwgezet op! Wanneer deze instructies niet nauwkeuring in acht worden genomen, kan dit leiden tot fysiek letsel, schade aan de rolstoel of schade aan de omgeving. Waar mogelijk wordt in het betreffende hoofdstuk veiligheidsinformatie verschaft.

2.1 De symbolen en labels op het product

De tekens, symbolen en instructies die op de rolstoel zijn bevestigd, maken deel uit van de veiligheidsvoorzieningen. Ze mogen nooit worden bedekt of verwijderd. Ze moeten tijdens de hele levensduur van de rolstoel aanwezig en duidelijk leesbaar zijn.

Vervang of repareer direct alle onleesbare of beschadigde tekens, symbolen en aanwijzingen. Neem contact op met uw dealer als u hulp nodig hebt.

Fig. 2.1. WAARSCHUWING - Niet aanraken - HEET

Fig. 2.2. Verankeringspunt spanbanden voor vervoer

Fig. 2.3. WAARSCHUWING – Let op uw vingers

Fig. 2.4. WAARSCHUWING – Controleer of de quick-release van de zitting goed vastgeschroefd is voordat u uw rolstoel gebruikt, vooral als u op een helling rijdt.

Fig. 2.5. WAARSCHUWING – We adviseren nadrukkelijk de stoel in lage positie, rechtop en in zittende positie in te stellen voordat u probeert een helling op- of af te rijden. Wanneer dit wordt nagelaten, kan de rolstoel mogelijk onstabiel worden.

Fig. 2.6. WAARSCHUWING – Maximale gebruikersgewicht voor de rolstoel met Sedeo Pro: 160 kg. Met Sedeo Lite: 136 kg

Fig. 2.7. Vrijlooppmechanisme: buitenste hendel naar beneden = vrijloop

Fig. 2.8. WAARSCHUWING – Gebruik de C-Me-modus nooit op een helling.

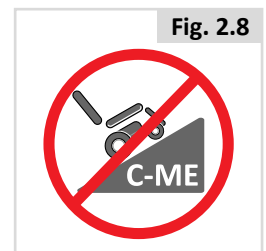
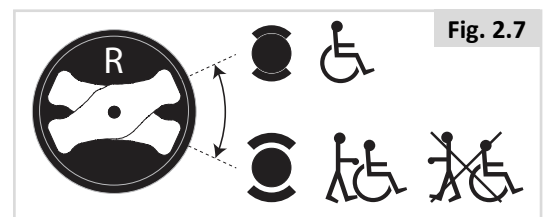
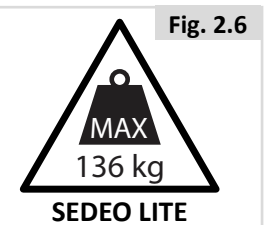
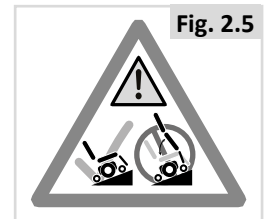
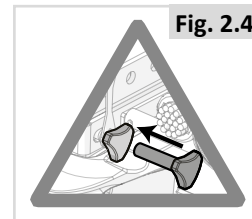
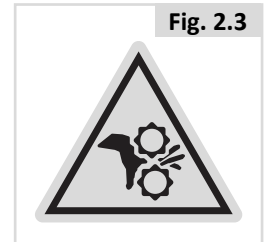
Fig. 2.9. Het serienummer en informatiesticker (slechts een voorbeeld).

Fig. 2.10. Plaats van sticker met serienummer, (zie volgende bladzijde) - Fig. 2.10.1 Midwiel aandrijver, Fig. 2.10.2 Voorwiel aandrijver, Fig. 2.10.3 Achterwiel aandrijver).

2.2 Veiligheid: Temperatuur

WAARSCHUWING!

- Vermijd te allen tijde fysiek contact met de motoren van de rolstoel. Tijdens het gebruik zijn de motoren voortdurend in beweging en kunnen daardoor zeer heet worden. Na gebruik koelen motoren slechts langzaam af. Fysiek contact kan brandwonden veroorzaken. Laat de motoren na gebruik minstens 30 min. afkoelen.
- Zorg ervoor dat de rolstoel niet langdurig aan direct zonlicht wordt blootgesteld als de rolstoel niet wordt gebruikt. Bepaalde delen van de rolstoel, zoals de zitting, de rugleuning en de armsteunen kunnen heet worden als ze te lang aan direct zonlicht worden blootgesteld. Dit kan brandwonden of allergische reacties op de huid veroorzaken.



Sunrise Medical GmbH Kahlbachring 2-4 D-69254 Malsch / Germany		2020-10-19
E-Rollstuhl		
TYPE: Q500 M	SN: 203204229981727	ISO 7176-19:2008
max 136 kg	max 385 kg	max 6 km/h
max 6"	max 60kg/250kg/100kg	UK CA CE MD

Sunrise Medical GmbH Kahlbachring 2-4 D-69254 Malsch / Germany		2021-04-15
POWER WHEELCHAIR		
TYPE: Q500 F	SN: 230211332971010	ISO 7176-19:2008
max 160 kg	max 385 kg	max 6 km/h
max 6"	max 100kg/318kg	UK CA CE MD

Sunrise Medical GmbH Kahlbachring 2-4 D-69254 Malsch / Germany		2021-04-12
POWER WHEELCHAIR		
TYPE: Q500 R	SN: 230211332987190	ISO 7176-19:2008
max 160 kg	max 385 kg	max 10 km/h
max 6"	max 240/190 kg	UK CA CE MD

2.3 Veiligheid: Bewegende delen (Fig. 2.11)

GEVAAR!

Een rolstoel heeft bewegende en roterende delen. Contact met bewegende delen kan leiden tot ernstig lichamelijk letsel of schade aan de rolstoel. Contact met de bewegende delen van de rolstoel moet worden vermeden.

- Wielen (aandrijfwielen en zwenkwiel)
- Elektrische kantelverstelling
- Elektrische hoog/laagverstelling
- Elektrische rughoekverstelling
- Wegzwenkbare stuurkashouder

2.4 Veiligheid: Elektromagnetische straling

OPGELET!

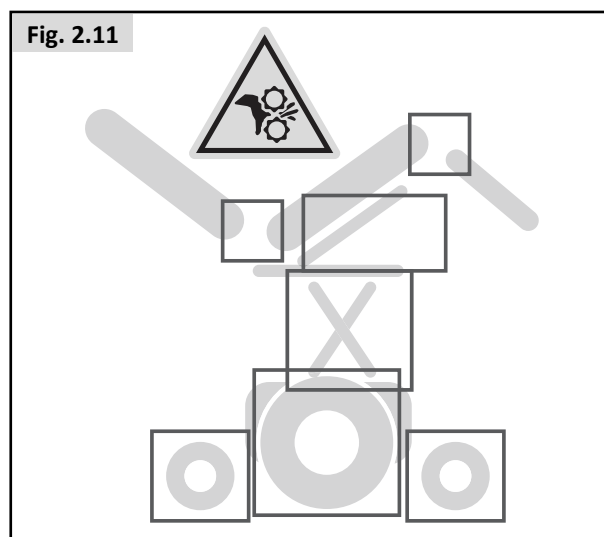
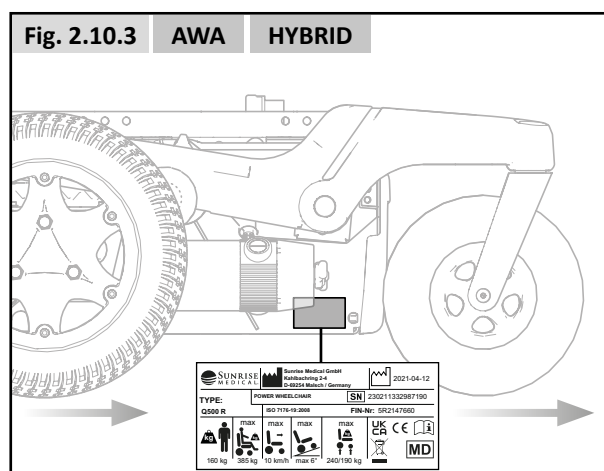
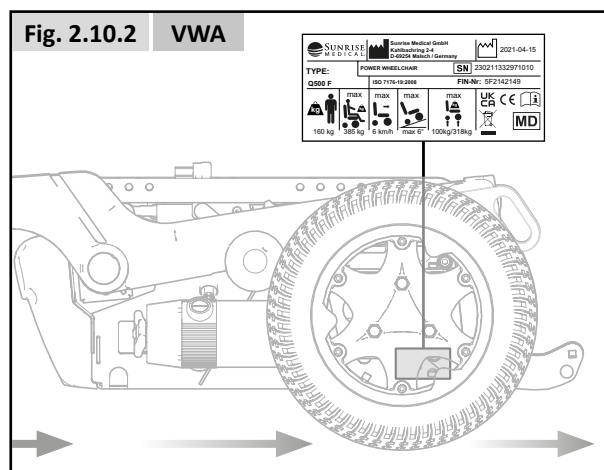
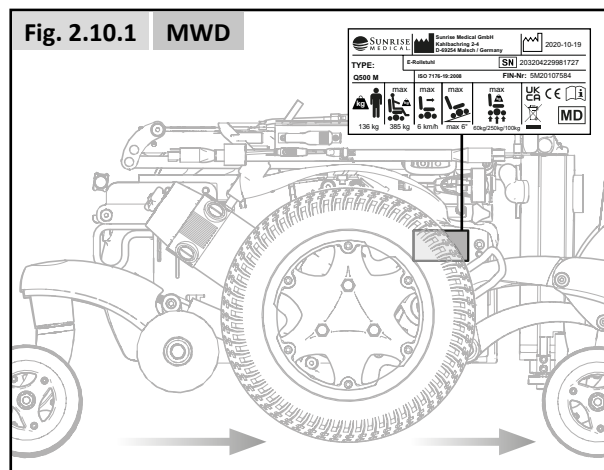
De standaarduitvoering van uw elektrische rolstoel is getest op de van toepassing zijnde eisen met betrekking tot elektromagnetische straling (EMC-eisen). Ondanks deze testen kan niet worden uitgesloten dat elektromagnetische straling invloed kan hebben op de elektrische rolstoel. Bijvoorbeeld:

- mobiele telefoons
- medische apparatuur
- andere bronnen van elektromagnetische straling
- Het is het niet uit te sluiten dat de elektrische rolstoel elektromagnetische velden beïnvloedt. Bijvoorbeeld:
 - winkeldeuren
 - alarmsystemen in winkels
 - garagedeuren

In het onwaarschijnlijke geval dat zich dergelijke problemen voordoen, vragen we u direct contact op te nemen met uw dealer.

GEVAAR!

- Wanneer er gebruik wordt gemaakt van tweezijdige radioverbindingen, walkietalkies, C.B., amateurradio, mobiele publieke radioapparatuur of andere krachtige zendapparatuur, moet de rolstoel tot stilstand worden gebracht en uitgezet.
- Het gebruik van draadloze telefoons en mobiele telefoons, zoals handsfree apparatuur, is geoorloofd, maar als de rolstoel vreemd (rij)gedrag vertoont, moet de stoel onmiddellijk tot stilstand worden gebracht en uitgezet.



2.5 Veiligheid: Verstikkingsgevaar



GEVAAR!

In dit mobiliteitshulpmiddel zijn kleine onderdelen verwerkt die onder bepaalde omstandigheden een verstikkingsgevaar voor kleine kinderen kunnen vormen.

2.6 Veiligheid: Gebruik van een (op een voertuig bevestigde) rolstoellift

In bussen, minibussen en gebouwen worden rolstoelliften gebruikt om u te helpen van een bepaald niveau naar een ander niveau te komen.



GEVAAR!

- De rolstoelgebruiker en alle verzorgers dienen de instructies van de liftfabrikant volledig te begrijpen wanneer er gebruik gemaakt wordt van de lift.
- Overschrijd nooit de aanbevolen richtlijnen voor maximaal veilige belasting.
- Zet altijd alle stroom uit wanneer u zich op de lift bevindt. Als u dit niet doet en onverhoopt de joystick aanraakt, kan dit tot gevolg hebben dat uw rolstoel van het platform afrijdt. De rolstop-beveiliging aan de rand van het platform kan dit niet altijd voorkomen.
- De gebruiker moet altijd op een goede en veilige manier in de rolstoel worden geplaatst om te voorkomen dat hij of zij valt terwijl de rolstoel op het liftplatform staat.
- Controleer altijd of de stoel in de rijmode staat wanneer men gebruik maakt van een passagierslift (wielen vergrendeld, niet in vrijloopmode).

2.7 Veiligheid: Werkbladen

Veiligheid: Wegklapbaar werkblad:



GEVAAR!

- Het maximaal toegestane gewicht voor het werkblad is 2,5 kg.
- Overbelast het werkblad niet; dit kan leiden tot afbreken van het werkblad of instabiel worden van de rolstoel.
- Laat geen brandende sigaretten of andere hittebronnen op het blad liggen; hierdoor kan het werkblad vervormen of kunnen brandvlekken ontstaan.
- Zorg ervoor dat handen, voeten en kledingstukken niet beklemd raken wanneer het werkblad wordt aangebracht om te gebruiken.

2.8 Veiligheid: Optillen van de rolstoel



WAARSCHUWING!

- Til dit zitsysteem nooit op aan onderdelen die verwijderd kunnen worden. Als u dit wel doet, kan dit leiden tot schade aan het zitsysteem of letsel bij de gebruiker.

3.0 Bedoelde gebruik van de rolstoel

Algemene beschrijving



De Q500-serie biedt de ultieme modulaire elektrische rolstoel. Dankzij het kenmerkende veersysteem is het rijgedrag van de rolstoel zowel binnen als buiten optimaal.

Het modulaire ontwerp, de eenvoud en de vele in- en verstelmogelijkheden zorgen ervoor dat de Quickie Q500 serie makkelijk is in onderhoud en hergebruik.

De Q500-serie voldoet aan individuele voorkeuren, behoeften of omstandigheden en is leverbaar in de volgende configuraties:

- Midwielaandrijving (MWA): Q500 M
- Voorwielaandrijving (VWA): Q500 F
- Achterwielaandrijving (AWA): Q500 R
- Hybride aandrijving (HWD): Q500H

Voor optimaal zitcomfort en individuele aanpassingen is de Q500-serie leverbaar in combinatie met


- Sedeo Lite zitsysteem (zie voor meer informatie de handleiding van dit zitsysteem )
- Sedeo Pro zitsysteem (zie voor meer informatie de handleiding van dit zitsysteem )

3.1 Toepassingen: De gebruiker

De elektrisch aangedreven rolstoelen zijn uitsluitend bedoeld voor personen die niet kunnen lopen of verminderd mobiel zijn. De rolstoel is bedoeld voor persoonlijk gebruik, zowel binnen- als buitenshuis.

Deze rolstoel is ontworpen voor gebruikers die over voldoende cognitieve, fysieke en visuele capaciteiten beschikken om het voertuig veilig te besturen. De gebruiker moet in staat zijn de resultaten van handelingen die hij of zij uitvoert bij het besturen van de rolstoel, in te schatten en te corrigeren.

De rolstoel kan slechts één persoon tegelijk vervoeren. Het maximale gewicht dat de stoel kan dragen staat vermeld bij het serienummer; dit vindt u aan de kruisstang of stabiliseerstang onder de zitting. Het maximale gewicht is het totale gewicht van de gebruiker en de op de rolstoel gemonteerde accessoires, (Fig. 2.9).

Voor beperkingen in verband met het gebruikersgewicht verwijzen we naar de handleiding over zitsystemen .

De inhoud van deze gebruikershandleiding moet voor ingebruikname van de rolstoel bekend zijn bij de gebruiker. Daarnaast moet de gebruiker van de rolstoel grondige instructies hebben ontvangen van een gekwalificeerde specialist voordat hij of zij deelneemt aan het verkeer. Tijdens de eerste keren dat de gebruiker de rolstoel gebruikt, moet er bij voorkeur worden geoefend onder toezicht van een trainer/adviseur.

Indicaties

De keuze aan beschikbare accessoires en het modulaire ontwerp betekenen dat de rolstoel kan worden gebruikt door personen die niet kunnen lopen of beperkt mobiel zijn vanwege:

- Verlamming
- Amputatie (van been of benen)
- Disfunctioneren of misvorming van extremiteiten
- Contractuur van/letsel aan gewrichten
- Ziektes zoals hart- en vaatziekten, evenwichtsstoornissen of cachexie evenals voor oudere mensen die nog kracht in het bovenlichaam hebben.

Contra-indicaties

De rolstoel mag niet worden gebruikt bij:

- Waarnemingsstoornissen
- Evenwichtsstoornissen
- Onvermogen om te zitten

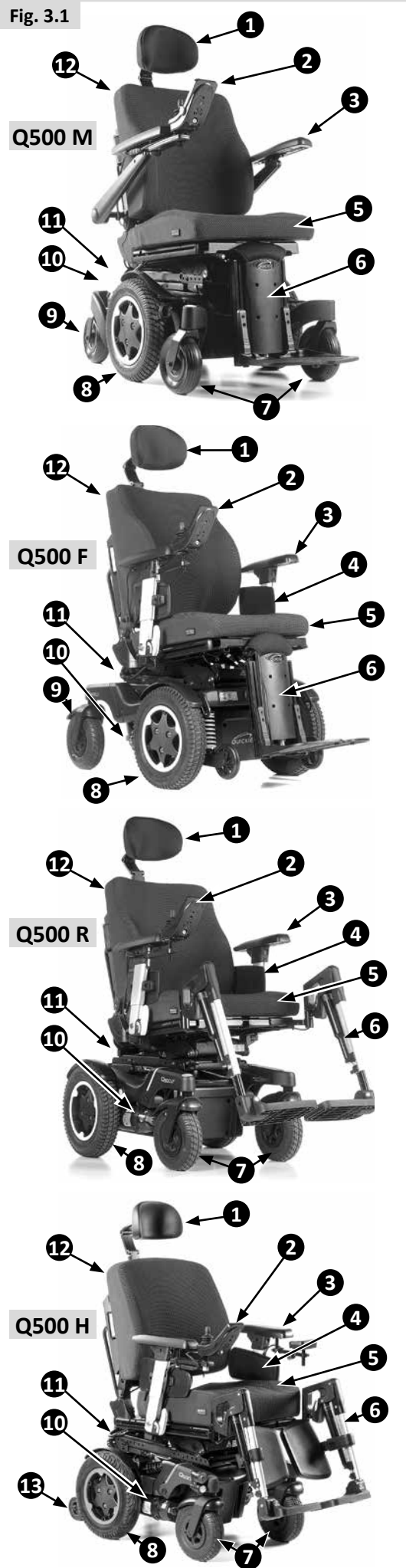
OPMERKING:

NB: het besturen van een rolstoel vereist voldoende cognitieve, fysieke en visuele vaardigheden. De gebruiker moet in staat zijn de effecten van handelingen tijdens het gebruik van de rolstoel te beoordelen en deze zo nodig te corrigeren. Deze vermogens en het veilige gebruik van aanvullend bevestigde onderdelen kunnen niet door Sunrise Medical als fabrikant worden beoordeeld. We kunnen geen aansprakelijkheid voor schade als gevolg hiervan accepteren.

Lees de gebruiksaanwijzing van de rolstoel en de aanvullend aangebrachte onderdelen door. Instrueer de gebruiker over het veilige gebruik van de rolstoel en de aanvullend bevestigde onderdelen. Informeer gebruikers over specifieke waarschuwingen die gelezen, begrepen en gerespecteerd moeten worden.

Basisonderdelen (Fig. 3.1)			
1.	Hoofdsteun	8.	Aandrijfwiel
2.	Joystick	9.	Zwenkwiel achter
3.	Armsteun	10.	Motoren
4.	Zijkussens	11.	Accubehuizing
5.	Zitkussens	12.	Rugbekleding
6.	Beensteun	13.	Steunwielen
7.	Zwenkwiel voorzijde		

Fig. 3.1



WAARSCHUWING!

- Het is niet toegestaan een rolstoel te gebruiken wanneer u onder invloed bent van medicijnen die invloed hebben op uw rijvaardigheid.
- Het zicht van de gebruiker moet toereikend zijn om de rolstoel in alle omstandigheden veilig te gebruiken.
- Er mag niet meer dan één persoon tegelijk in de rolstoel zitten.
- Laat kinderen niet zonder toezicht in de rolstoel rijden.

OPGELET!

- De gebruiker van de rolstoel is altijd volledig verantwoordelijk voor de naleving van de toepasselijke, lokale veiligheidsvoorschriften en -richtlijnen.

Begeleiders

Wanneer de stoel is uitgerust met een begeleidingsbesturing, kan de elektrische stoel namens de gebruiker worden bestuurd door een begeleider.

Wanneer de elektrische rolstoel is uitgerust met een begeleidersbesturing, kan de rolstoel worden bediend door de gebruiker of kan de besturing worden overgezet naar de begeleider.

- Zorg ervoor dat u alle waarschuwingen in acht neemt en alle instructies uit ieder hoofdstuk van deze handleiding opvolgt. Waarschuwingen die van toepassing zijn op de gebruiker, zijn ook op u van toepassing.
- Ga niet op onderdelen van dit zitsysteem staan of zitten.
- U moet samenwerken met de gebruiker en de arts, verpleegkundige of therapeut van de gebruiker, om veilige methodes te ontwikkelen die het beste bij uw mogelijkheden en die van de gebruiker passen.
- Controleer of de grepen van de duwhandvatten niet draaien of van de buizen afglijden.
- Zorg ervoor dat u de begeleidersbediening altijd gemakkelijk en comfortabel kunt bedienen terwijl de stoel in beweging is. Controleer ook of de bediening goed aan de rolstoel is bevestigd.
- Zorg ervoor dat de snelheid van de begeleidersbediening zodanig is afgesteld dat u de rolstoel gemakkelijk kunt volgen.
- Schakel altijd de stroom naar de controller uit wanneer u de gebruiker alleen in de rolstoel achterlaat.

3.2 Toepassingen: De omgeving van de gebruiker

Deze rolstoel is ontworpen voor gebruik binnens- en buitenshuis (EN12184 (2014) Klasse B). Wanneer de rolstoel buiten wordt gebruikt, dient men gebruik te maken van verharde wegen, stoepen, voet- en fietspaden. De snelheid moet worden aangepast aan de omgeving.

WAARSCHUWING!

- Rij voorzichtig als de wegen door regen, ijs of sneeuw glad zijn!
- Bij slecht zicht moet u de lichten aan doen.
- Bij hogere snelheden moet u extra voorzichtig zijn. Kies binnenshuis, op de stoep en in voetgangersgebieden voor een lagere snelheid.
- Rijd niet van hoge obstakels af.
- Bevestig geen gewicht aan de rolstoel zonder goedkeuring van een gekwalificeerde specialist. Het gewicht kan de stabiliteit van de rolstoel nadelig beïnvloeden.

OPGELET!

- Voorkom dat de rolstoel in contact komt met zeewater: zeewater heeft een bijtend effect en kan de rolstoel beschadigen.
- Voorkom dat de rolstoel in contact komt met zand. Zand kan de bewegende delen van de rolstoel binnendringen waardoor deze onderdelen onnodig snel slijten.
- Gebruik de rolstoel niet bij temperaturen lager dan -25°C of hoger dan +50°C.
- Gebruik de beensteunen niet om deuren mee te openen.
- Gebruik de rolstoel niet om voorwerpen te duwen of te trekken.
- Rij niet door plassen.

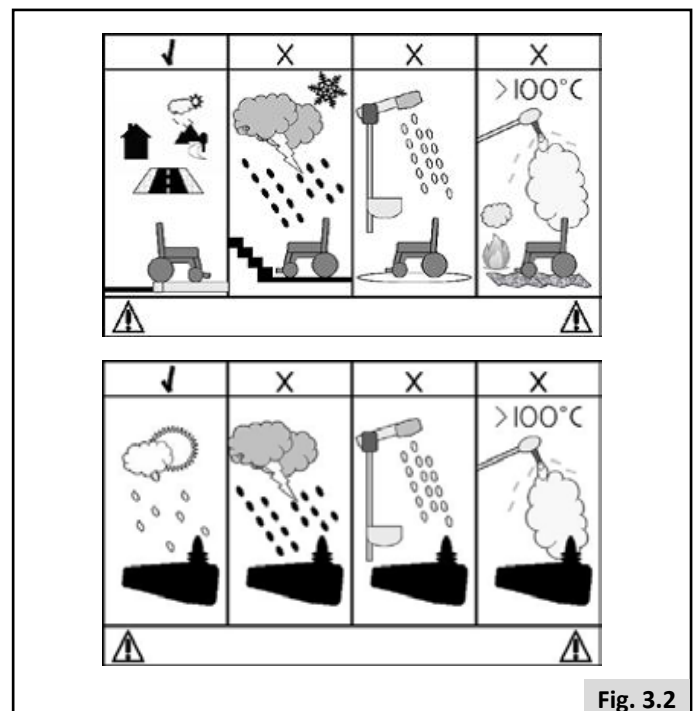


Fig. 3.2

4.0 Instellen van de rolstoel

De rolstoelen van Sunrise Medical kunnen worden aangepast aan de specifieke behoeften van de gebruiker. Daarbij maken we een onderscheid tussen rolstoelinstellingen en opties om de zitting van de rolstoel aan te passen. De rolstoel wordt éénmalig ingesteld bij de eerste keer dat de rolstoel wordt gebruikt. Dit moet door een gekwalificeerde specialist worden gedaan, tenzij nadrukkelijk anders wordt aangegeven. Aanpassingen van de zitting kunnen door de gebruiker zelf worden uitgevoerd. Voor deze aanpassingen zijn geen gereedschappen nodig.

4.1 Zitsysteem

De uitgebreide instellingen met betrekking tot het zitsysteem maken optimale ondersteuning voor het lichaam mogelijk (📖 Zitsysteem). De volgende instellingen zijn mogelijk:

1. Zitbreedte en zitdiepte
2. Hoek rugleuning
3. Hoogte/breedte armsteun
4. Lengte van het onderbeen
5. Hoek van de voetplaat
6. Hoek beensteun

4.2 Zithoogte

De zithoogte kan afhankelijk van de specifieke omstandigheden van de gebruiker worden ingesteld. Iedere optionele zithoogte valt binnen de nominale helling zoals beschreven in EN12184 (2014) Klasse B. Het verlagen van de zithoogte heeft een positief effect op de (dynamische) stabiliteit.

⚠️ WAARSCHUWING!

Het verhogen van de zithoogte heeft een negatief effect op de dynamische stabiliteit.

4.3 Zwaartekrachtspunt

⚠️ GEVAAR!

Het aanpassen van het zwaartekrachtspunt van een elektrisch aangedreven rolstoel is fysiek vermoeiend en uit veiligheids oogpunt een kritieke handeling. Sunrise Medical adviseert deze aanpassing uitsluitend te laten uitvoeren door een door Sunrise Medical erkende onderhoudsmonteur/dealer.

4.4 Hoogte en diepte van de bediening

(📖 Zitsysteem).

4.5 Programmering bedieningssysteem

Deze rolstoel is voorzien van een bedieningssysteem dat geprogrammeerd kan worden door instellingen binnen het systeem aan te passen. Deze programmering kan alleen door hiervoor opgeleide specialisten en door middel van professionele software worden uitgevoerd. De eindgebruiker mag deze instellingen niet zelf aanpassen.

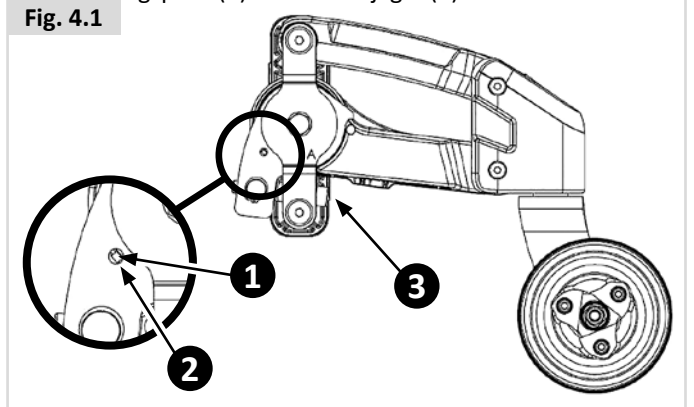
⚠️ GEVAAR!

Een onjuiste instelling van de parameters voor het bedieningssysteem kan tot zeer gevaarlijke situaties leiden. Instellingen moeten worden uitgevoerd door gekwalificeerde specialisten.

4.6 Afstellen steunwiel (Fig. 4.1)

Het steunwiel wordt afgesteld door de stelschroef naar links of rechts te draaien, terwijl de gebruiker in de rolstoel zit in een positie om te rijden. Het steunwiel is correct afgesteld wanneer het markeringspunt (1) door het kijkgat (2) zichtbaar is.

Fig. 4.1



4.7 Heupgordel / positioneringsgordel

GEVAAR/WAARSCHUWING!

- Dit product mag uitsluitend worden gebruikt om één persoon in een rolstoel in positie te houden.
- Heupgordels zijn niet geschikt als veiligheidsgordel tijdens transport. Hiervoor moeten goedgekeurde veiligheidsgordels worden gebruikt.
- Wanneer deze waarschuwingen niet worden opgevolgd, kan dit leiden tot ernstig letsel of overlijden.
- Zorg ervoor dat de verzorger of begeleider bekend is met de wijze waarop de gordels gebruikt moeten worden.
- Wanneer verzorgers of begeleiders niet getraind zijn in het gebruik van gordels, kan dit tot oponthoud leiden wanneer zich een noodsituatie voordoet.

Bevestiging van een heupgordel/positioneringsgordel

1. Bevestig (A) aan het frame van de zitting met een schroef aan de linker- en rechterkant. (Fig. 4.3)

Positionering van een persoon met een heupgordel

- Pas de heupriem aan tot deze past, maar laat niet meer dan een handbreedte vrij voor gemak en veiligheid (Fig. 4.4).
- De ruimte voor de hand moet krap zijn, gemeten met de gordel op normale spanning; er mag niet teveel ruimte zijn en er mogen geen lussen in de gordel ontstaan.
- Over het algemeen moet de heupgordel zodanig bevestigd zijn dat de gordel in een hoek van 45° vastgemaakt kan worden (Fig. 4.5). Als de gordel op de juiste wijze bevestigd is, kan de gebruiker niet in de rolstoel naar beneden glijden.
- Plaats de riem losjes over het zitsysteem met het open eind van de gesp naar rechts voor een linkshandige persoon en naar links voor een rechtshandige persoon. Steek de uiteinden van de gordel door de sleuf tussen de bekleding en stangen van de rugleuning.

GEVAAR/WAARSCHUWING!

- Controleer voor gebruik altijd of de heupgordel op de juiste wijze is bevestigd en op maat is gemaakt.
- Wanneer de gordel te los zit, kan de gebruiker onderuit zakken. Dit kan tot ernstig letsel leiden.
- Controleer de gordel en de bevestigingsmaterialen geregeld op slijtage of beschadiging. Vervang de gordel indien noodzakelijk.
- Tijdens de onderhoudsbeurt moet gecontroleerd worden of de gesp goed functioneert en of er sprake is van slijtage van het materiaal of de plastic beugels.
- Regelmatige controles/activiteiten:
- Alle positioneringscomponenten moeten na verloop van tijd worden gecorrigeerd, omdat de gebruiker zijn of haar zithouding verandert.
- Controleer regelmatig of de gordels goed passen, zodat de veiligheid en het comfort van de gebruiker worden gegarandeerd.

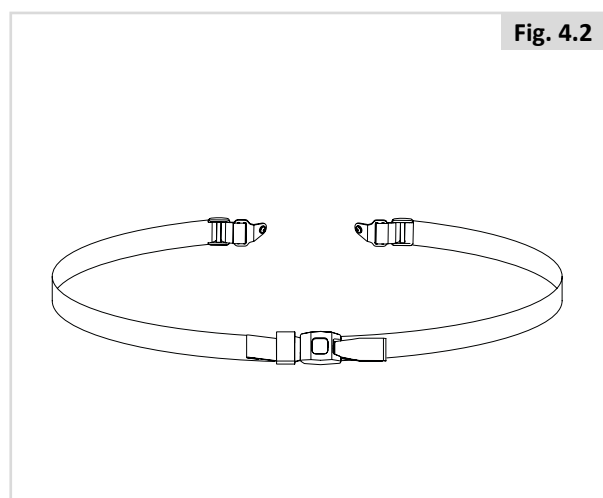


Fig. 4.2

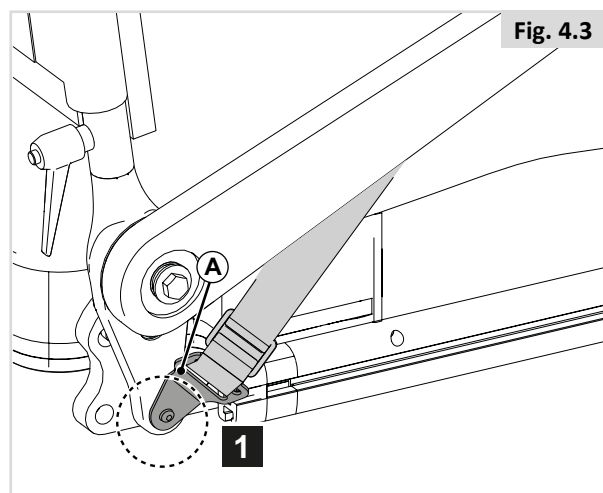


Fig. 4.3

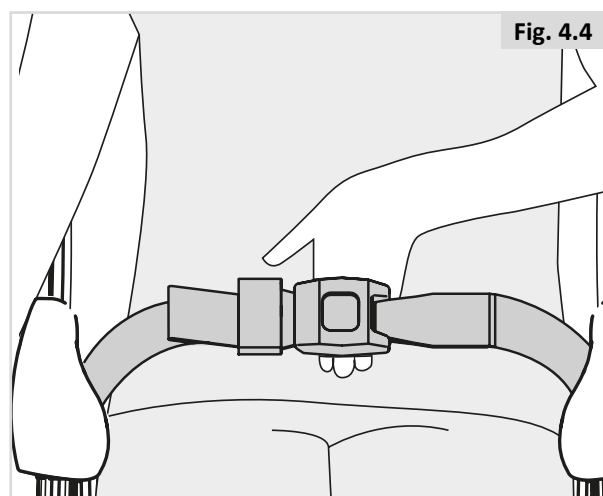


Fig. 4.4

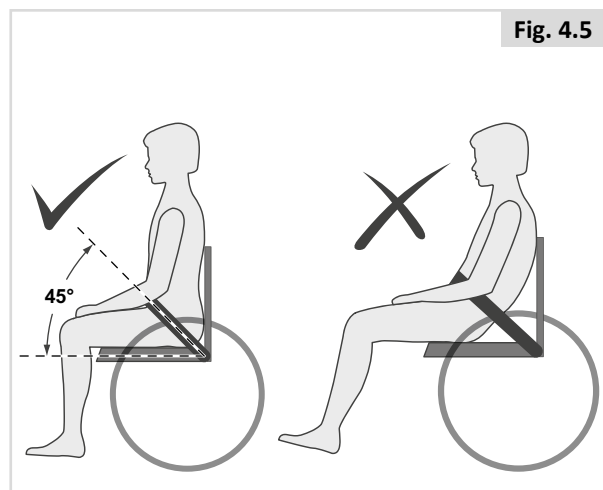


Fig. 4.5

4.8 Aanpassen van de schokdemper



OPGELET!

Controleer of de controller uitgeschakeld is.

1. Krik het chassis zo ver op dat de wielen niet langer op de grond staan. (Fig. 4.6).

2. Maak de 3 schroeven los en verwijder het aandrijfwieltje (Fig. 4.7).

Fig. 4.6

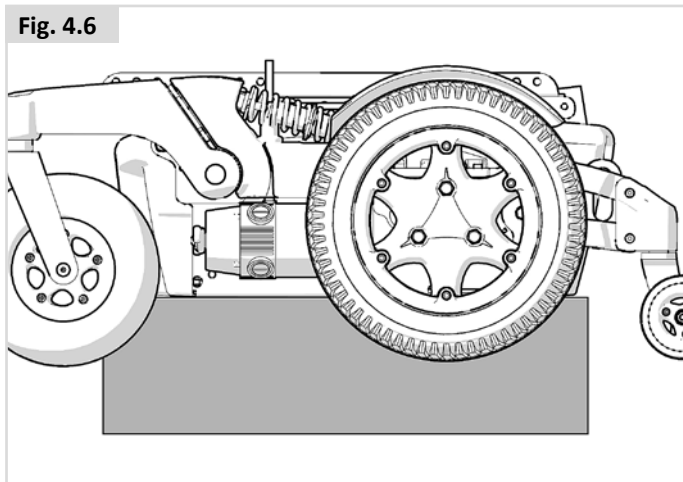
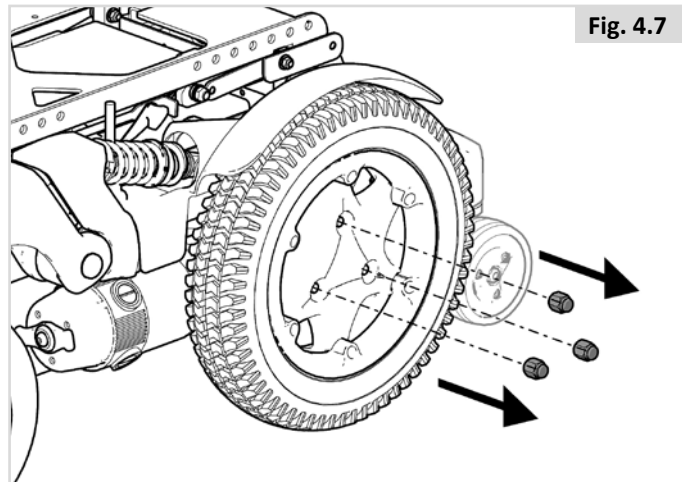


Fig. 4.7



3. Verwijder de beschermkap van de schokdemper door de beschermkap van onderaf omhoog te duwen en hem tegelijkertijd naar u toe te trekken (Fig. 4.8).

4. Maak de M8 schroef los en verwijder schroef M8x45 waarmee de bovenzijde van de schokdemper is bevestigd (Fig. 4.9).

Fig. 4.8

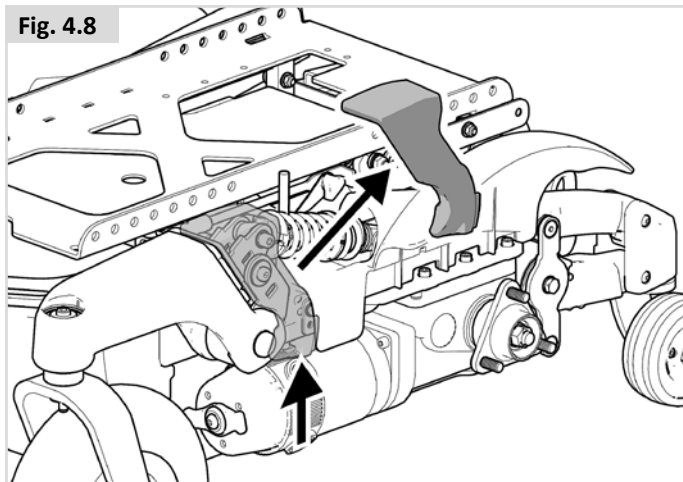
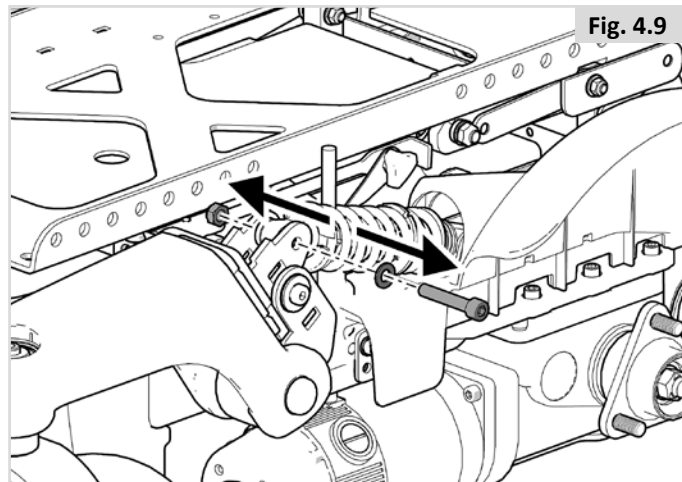


Fig. 4.9



5. Schroef de 2 M6 schroeven waarmee het spatbord is bevestigd, los (Fig. 4.10).

6. Haal de schokdemper en het spatbord los en verwijder het spatbord (Fig. 4.11).

Fig. 4.10

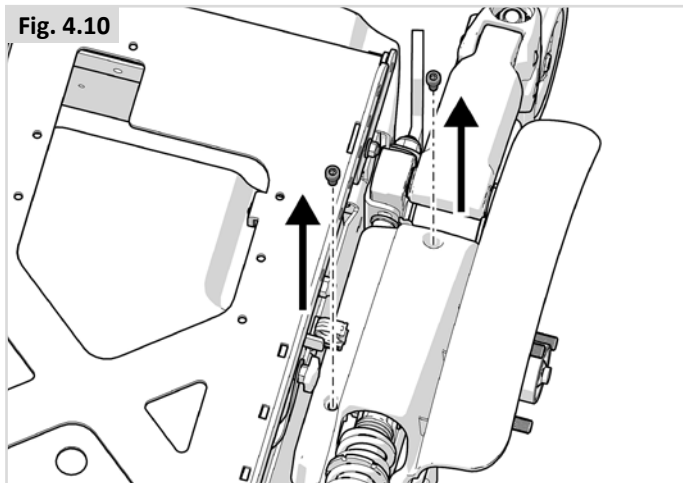
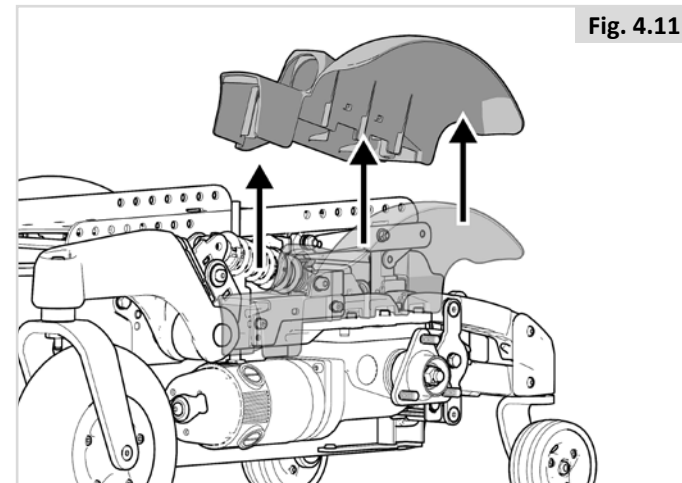
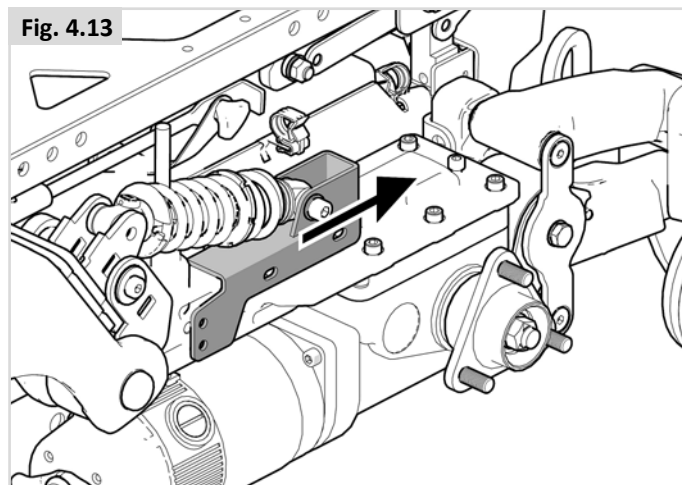
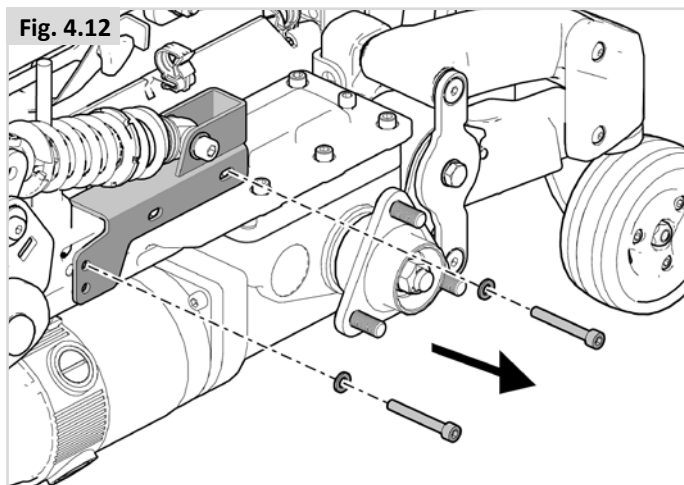


Fig. 4.11



7. Maak de 2 M6 bouten los en verwijder de M6x45 schroeven (Fig. 4.12).

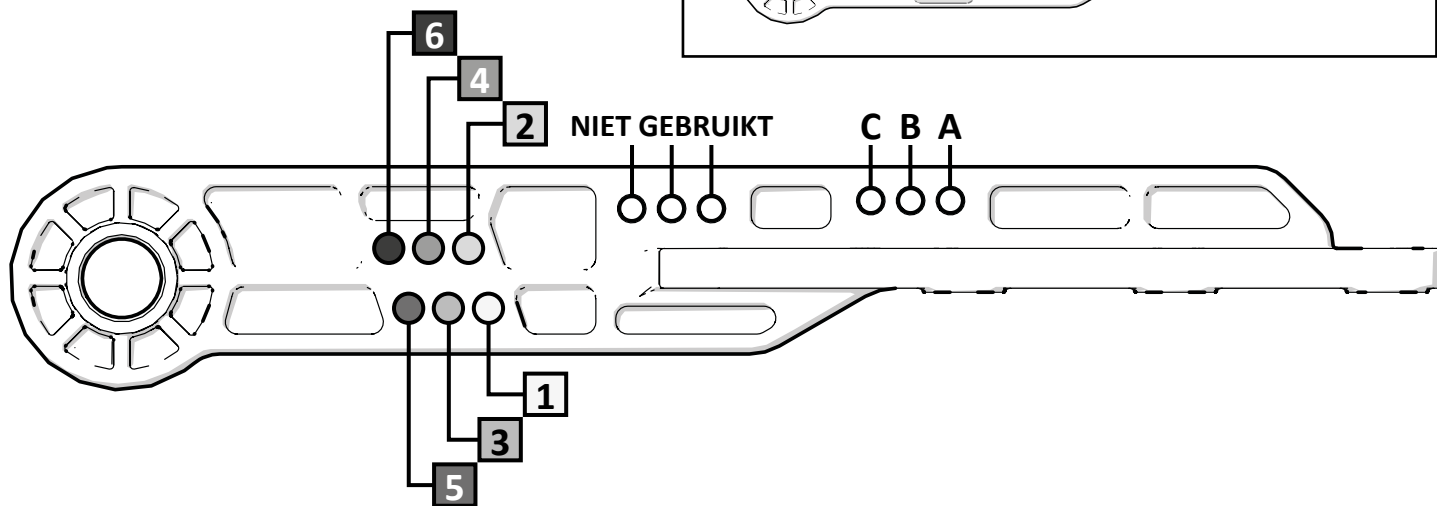
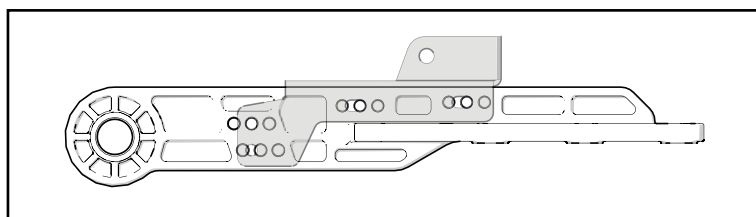
8. Pas de positie van de beugel aan en plaats alles weer terug in omgekeerde volgorde (Fig. 4.13).



⚠ OPGELET!

Controleer of het steunwiel aangepast moet worden door de instructies in hoofdstuk 4.6 'Afstellen steunwiel' op te volgen.

DRAAIKRACHT VOOR HERBEVESTIGING		
Stap	Artikel	Instelling
5	M8 moer en M8x45 bout	22 Nm
6	Stap 6 – M6 schroeven	3 Nm
8	M6 en M6x45 schroef	9 Nm



HANDMATIG VERSTELBARE RUGLEUNING			
VERSTEL	ZITDIEPTE [mm]	INSTELLING	
1	400	1	A
4	430	1	A
5	440	1	A
7	460	1	A
9	480	1	A
10	490	2	A
13	520	2	A
17	560	2	A

ELEKTRISCH VERSTELBARE RUGLEUNING			
VERSTEL	ZITDIEPTE [mm]	INSTELLING	
1	400	1	A
4	430	1	A
5	440	1	A
7	460	2	A
9	480	2	A
10	490	2	A
13	520	2	A
17	560	3	B

5.0 Gebruik van de rolstoel

GEVAAR!

- Wees erop bedacht dat u mogelijk de instellingen van de bediening van uw systeem moet aanpassen.
- Overleg direct met uw erkende dealer om de instellingen van de bediening aan te passen als u veranderingen opmerkt in uw vermogen om:

1. De joystick te bedienen
2. Houd uw bovenlijf rechtop
3. Vermijd botsingen met voorwerpen.

5.1 Controle van de rolstoel voor gebruik


Voer dagelijks, voor u wegrijdt, de onderstaande controle uit:

OPGELET!


Controle van wielen & banden

- Zijn de banden hard genoeg? (Hoofdstuk 8.2)

Controle van accu's

- Voordat u uw rolstoel voor de eerste maal gebruikt, moet u de accu's gedurende 24 uur onafgebroken opladen.
- Zijn de accu's voldoende opgeladen? Het groene licht van de accuspanningsmeter moet branden  Bediening

Controle van verlichting en richtingaanwijzers

- Controleer of de verlichting en richtingaanwijzers goed functioneren en de glazen schoon zijn voordat u in het donker naar buiten gaat.  Bediening

Controle van afstandsbediening

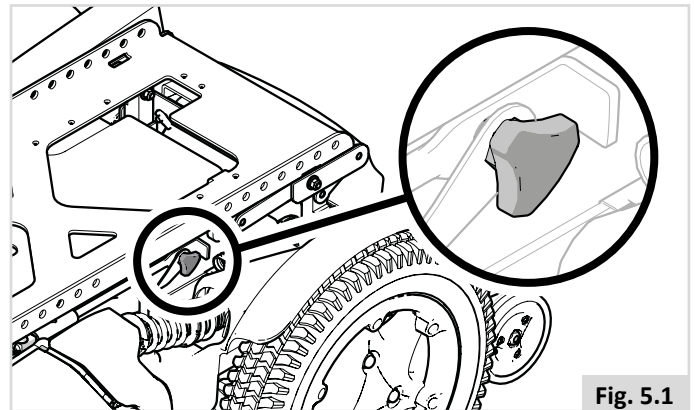
- Controleer, terwijl het bedieningssysteem uitgeschakeld is, of de joystick niet is verbogen of beschadigd en of de joystick terugkeert naar het midden wanneer u hem naar voren drukt en vervolgens loslaat.

Controle vrijloophendel

- Controleer of de vrijloophendel op 'rijden' is ingesteld. (Hoofdstuk 5.8).

Controle van zitting

- Controleer of alle kussens op de juiste plaats zijn bevestigd.
- Controleer of de rugleuning op de juiste plaats en wijze is bevestigd.
- Bekijk of de beensteunen, armsteunen en dergelijke op de juiste plaats en wijze zijn bevestigd en of alle bevestigingspunten voldoende strak aangedraaid zijn.
- Controleer of alle interfaceknoppen van de zitting aangedraaid zijn (Fig. 5.1).



Controleer of kleding niet vast kan komen te zitten

- Controleer of uw kleding de rolstoel niet hindert tijdens het gebruik (bijv. te lange kleding). Controleer voor u wegrijdt altijd of uw kleding of accessoires niet in contact komen met de wielen en/of andere bewegende of draaiende delen, waardoor ze verstrikt kunnen raken.

Controleer de weersomstandigheden

- Bij koud weer vermindert de capaciteit van de accu's. Tijdens lichte vorst is de capaciteit ruwweg 75% van de normale capaciteit. Bij temperaturen lager dan -5°C neemt dit af naar 50%. Hierdoor wordt de actieradius kleiner.

5.2 Overplaatsen

Sunrise Medical adviseert dat u samen met uw arts of therapeut de voor u meest geschikte in- en uitstaptechniek (voorwaarts of zijwaarts) ontwikkelt om persoonlijk letsel te vermijden.

Vorbereiding voor een voorwaartse overplaatsing:



GEVAAR!

Het kan gevaarlijk zijn om zelf in- en uit de rolstoel te stappen. Hiervoor is een goede balans en handigheid vereist. Wees erop bedacht dat er tijdens iedere overplaatsing een moment komt dat u het zitsysteem niet onder u hebt.


Voor meer instructies en waarschuwingen voor het maken van een transfer, verwijzen we naar  Zitsysteem.

5.3 Rijden met de rolstoel



WAARSCHUWING

- De gebruiker van de rolstoel is altijd volledig verantwoordelijk voor de naleving van de toepasselijke, lokale veiligheidsvoorschriften en -richtlijnen.

Elektrisch aangedreven rolstoelen worden door middel van een bediening (controller) bestuurd. Er is een aparte gebruikershandleiding voor het bedieningssysteem en deze wordt meegeleverd met de rolstoel ( Bediening).

1. Schakel de bediening in.
2. Stel de maximale snelheid in.
3. Beweeg de joystick in de richting waar u naar toe wilt.
4. Als u de joystick meer naar voren brengt, rijdt de rolstoel sneller.

Achteruitkijkspiegel



WAARSCHUWING

- Let op de spiegel: deze steekt uit en kan bij onoplettendheid mensen verwonden als u langs rijdt.
- Op modellen die sneller dan 6km/u kunnen rijden is het mogelijk dat lokale wetgeving een spiegel vereist.
- Zorg er voor, wanneer u gebruik maakt van een spiegel, dat deze schoon en onbeschadigd is, zodat uw zicht niet gehinderd wordt.

Gebruik op de weg

Houd rekening met het andere verkeer op de weg.

GEVAAR!

- Het laatste dat een bestuurder van een auto of vrachtwagen verwacht, is een rolstoel die achterwaarts van de stoep de weg op rijdt.
- Als u twijfelt, steek dan niet de weg over, maar wacht tot u er zeker van bent dat het wel veilig is om over te steken.
- Steek de weg altijd zo snel mogelijk over om ander verkeer te vermijden.
- Rij niet over voorwerpen die gaatjes in de banden kunnen veroorzaken.
- Let op dat er geen voorwerpen op de weg liggen die mogelijk in uw stoelmechanisme of achterwielspaken beklemd raken. Hierdoor kan de stoel abrupt tot stilstand komen.
- Wanneer u over een rooster, kabel of rails rijdt, kunnen de (zwenk)wielen beklemd raken, waardoor de rolstoel abrupt tot stilstand komt.

Slechte omstandigheden:

Houd er rekening mee dat uw rolstoel onder slechte omstandigheden, zoals nat gras, modder, ijs, sneeuw of anderszins gladde ondergrond, minder grip en vermogen heeft.

GEVAAR!

- Sunrise Medical adviseert dat u onder deze omstandigheden extra voorzorgsmaatregelen neemt, vooral in heuvelachtig terrein of op hellingen. In dit soort situaties kan uw rolstoel instabiel worden of slippen, waarbij mogelijk letsel kan ontstaan.
- Wanneer u gebruik maakt van een elektrisch aangedreven rolstoel, wees dan extra voorzichtig met losse of lange artikelen of kleding. Wanneer kleding verstrikt raakt in bewegende delen, zoals de wielen, kan dit tot zeer gevaarlijke, of zelfs fatale situaties leiden.

OPMERKING:

Extreme variaties in de temperatuur kunnen ertoe leiden dat het zelfbeschermende mechanisme van het bedieningssysteem in werking treedt. In dat geval zal het besturingssysteem tijdelijk uitgeschakeld worden om schade aan de elektronica of aan de rolstoel te voorkomen.

5.4 Bochten

GEVAAR!

Het is niet verstandig om bochten te nemen met volle snelheid. Als het nodig is een scherpe bocht te maken, moet u uw snelheid verlagen door middel van de joystick of de snelheidsinstelling. Dit is vooral belangrijk wanneer u over of van een helling af rijdt. Negeren van dit advies kan tot gevolg hebben dat uw rolstoel omvalt.

WAARSCHUWING!

Gebruik de richtingaanwijzer wanneer u van richting verandert.

5.5 Remmen & Noodstop

Er zijn drie manieren om uw rolstoel tot stilstand te brengen:

- De eenvoudigste en veiligste manier om te stoppen is het loslaten van de joystick. Hierdoor komt de rolstoel op een beheerste manier tot stilstand.
- Door de joystick naar achteren te trekken komt de rolstoel snel en abrupt tot stilstand.
- Door het bedieningssysteem uit te schakelen terwijl de rolstoel in beweging is, komt de rolstoel ook tot stilstand.

WAARSCHUWING!

- Het uitschakelen van het bedieningssysteem mag uitsluitend in een noodsituatie worden gebruikt, omdat de rem actie zeer abrupt is.
- Probeer dit zitsysteem nooit te stoppen of af te remmen via de remvergrendeling (indien van toepassing). De wielvergrendeling is ontworpen om te voorkomen dat het systeem beweegt nadat het is gestopt. Het is geen remsysteem.

5.6 Rijden op een helling

Uw rolstoel is ontworpen en getest op gebruik op hellingen van maximaal:

Q500 M: 6° (10,5%) in standaard configuratie.

Q500 F: 6° (10,5%) in standaard configuratie.

Q500 R: 10° (17,6%) in standaard configuratie.

Q500 H: 10° (17,6%) in standaard configuratie.

U hebt echter de mogelijkheid om uw zitpositie aan te passen via de zitlift, de kantelverstelling, de rughoekverstelling, de beensteunen of via een combinatie van deze mogelijkheden.

GEVAAR!

- De lift/kantelfunctie en verandering van de positie van de beensteunen kunnen van invloed zijn op de zwaartepunt van de rolstoel. Onder bepaalde omstandigheden kan dit leiden tot onstabiele kantelen die tot onbedoeld kantelen kan leiden. Het kan noodzakelijk zijn een risicobeoordeling uit te voeren om te controleren of de rolstoel is aangepast op extreme situaties.
- Remafstanden op hellingen kunnen beduidend langer zijn dan op een vlakke grond.

GEVAAR!

- In bepaalde omstandigheden kan uw rolstoel instabiel worden.
- Wees voorzichtig wanneer u een helling of stoeprand probeert op- of af te rijden, terwijl u gebruik maakt van de hierboven genoemde mogelijkheden (zoals elektrisch kantelen of sta-positie). Er moet in dat geval tegengewicht zijn.
- Om de stabiliteit te verbeteren wanneer u een helling oprijdt, leunt u voorwaarts met de zitting en rugleuning in een rechte positie.
- Of u moet goed rechtop gaan zitten en/of de zitting achterwaarts kantelen, wanneer u in voorwaartse richting van een helling afrijdt.
- We adviseren nadrukkelijk de stoel in lage positie, rechtop en in zittende positie in te stellen voordat u probeert een helling op- of af te rijden. Wanneer dit wordt nagelaten, kan de rolstoel mogelijk onstabiel worden.
- Indien u twijfelt over de mogelijkheden om met uw rolstoel een helling of stoep op- of af te rijden, probeer dan een alternatieve route te vinden.

Hellingen oprijden:

WAARSCHUWING!

- Houd de stoel in beweging wanneer u tegen een heuvel oprijdt.
- Stuur door de joystick voorzichtig naar voren te bewegen, waarbij u tijdens het rijden kleine aanpassingen naar links of rechts doet.
- Indien u op een heuvel tot stilstand bent gekomen, moet u langzaam wegrijden.
- Leun eventueel naar voren.

Hellingen afrijden:

Wanneer u van een helling afrijdt, is het belangrijk dat u de rolstoel niet harder laat rijden dan de normale basissnelheid.

GEVAAR!

- Rij langzaam bij steile afdalingen (minder dan 5 km/u) en stop als u zich ongemakkelijk voelt.
- Rij op steile afdalingen langzaam (minder dan 5 km per uur) en stop wanneer u het gevoel krijgt de controle over de besturing te verliezen.
- Hervat de rit langzaam en laat de snelheid niet boven de snelheid komen waarbij u zich comfortabel voelt.

OPMERKING:

- Het bedieningssysteem beschikt over een systeem dat voor compensatie zorgt bij het nemen van een schuine stoep of heuvel. Dit is een bijkomende beveiliging op uw rolstoel. Daarnaast kunt u natuurlijk de rolstoel onder controle houden door het snelheidscontrolesysteem te gebruiken.

5.7 Obstakels en stoepranden:

GEVAAR!

- Ga nooit achterwaarts van een stoep af.
- Rijd nooit een (rol)trap op- of af. Dit is niet veilig en kan leiden tot persoonlijk letsel en beschadiging van de rolstoel. Deze rolstoel is ontworpen om slechts één enkele tree of stoeprand op- of af te rijden.
- We adviseren dat gebruikers met een verminderde rompbalans veiligheidsgordels dragen om het lichaam rechtop te houden bij het op- of afgaan van hellingen, stoepranden of andere obstakels.

Stoeprandklimmer:

Benader de stoep altijd in een hoek van 90° (Fig. 5.2).

- Benader de stoeprand of trede altijd in een hoek van 90°
- terwijl u rustig en langzaam rijdt.
- Stop de stoel zodra de zwenkwielen de stoep bereiken.
- Geef de motoren voldoende kracht om de voorzijde van de stoel op de stoeprand te tillen. Vervolgens geeft u nog wat meer kracht en snelheid, zodat de aandrijfwielen van de rolstoel rustig en zonder aarzelen ook tegen de stoeprand of trede op rijden.
- Houd, voor zover mogelijk, de joystick recht naar voren.

De maximale obstakel- of stoeprandhoogte is:

Q500 M	50 mm
Q500 F	70 mm
Q500 R	80 mm
Q500 R + stoeprandklimmer	100 mm
Q500 H	85 mm

De nadersnelheid en de procedure kan, afhankelijk van uw rolstoeltype en keuze van zwenkwielen, variëren.

Van de stoep af rijden.

GEVAAR!

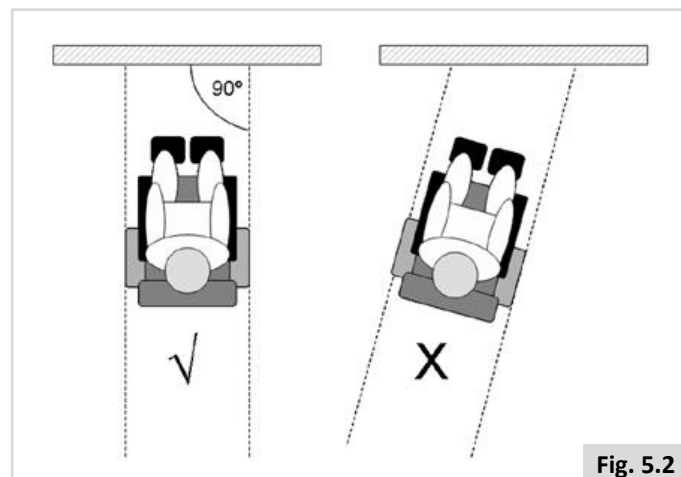
Beweeg de stoel langzaam en voorzichtig in voorwaartse richting totdat beide wielen tegen de stoeprand aanstaan, ongeveer in een hoek van 90° ten opzichte van de stoep. Rij zo langzaam mogelijk met de aandrijfwielen van de stoep af. Breng de stoel niet tot stilstand terwijl u bezig bent van een stoep af te rijden. U voelt zich veiliger als u naar achteren kunt leunen, maar als dit voor u niet mogelijk is, hoeft u zich geen zorgen te maken: de stoel is stabiel. Zolang u zich houdt aan de limieten, bent u veilig.

Alle elektrische verstellingen moeten in de uitgangspositie staan. Uw elektrisch verstelbare beensteunen moeten misschien worden aangepast, zodat u voldoende ruimte heeft om de stoep op of af te gaan.

Voor een veiliger gevoel adviseert Sunrise Medical de heupgordel te gebruiken tijdens het afrijden van een stoep. Sunrise Medical adviseert iedere stoel met beensteunen uit te rusten voor extra veiligheid.

WAARSCHUWING!

In een rolstoel met achterwielaandrijving (AWA) heeft het de voorkeur de stoep achterwaarts af te gaan. Het wordt wel geadviseerd om dit langzaam te doen en goed op te letten op het verkeer en de omringende omgeving. Het wordt ook aanbevolen om bij deze handeling iemand te hebben die u helpt. Rij niet van stoepranden af die hoger zijn dan de geadviseerde 80 mm.



5.8 Duwen van de rolstoel

De rolstoel kan verplaatst worden door deze te duwen. Hiertoe moeten de motoren via een vrijloophendel ontkoppeld zijn. Deze functie is ontwikkeld voor begeleiders van rolstoelgebruikers en functioneert tevens als vrijloop in geval van nood.

De vrijloophendel kent 2 posities

1. Om met de rolstoel te rijden. (Fig. 5.3).

Positie 'Rijden': Draai de hendel zodanig dat deze aan de kant van het aandrijfwielt naar boven wijst.

2. Om de motoren te ontkoppelen: (Fig. 5.4 - Fig. 5.5).

Positie 'Duwen': Draai de hendel zodanig dat deze aan de kant van het aandrijfwielt naar beneden wijst.

GEVAAR!

- De vrijloophendel mag uitsluitend door de begeleider worden bediend en nooit door de gebruiker.
- Een gebruiker mag nooit zonder toezicht worden achtergelaten als de rolstoel in de stand 'Duwen' staat.
- Zet de hendel nooit op een helling in de positie 'Duwen'. Als de vrijloophendel is ingesteld op 'Duwen', is de automatische parkeerrem gedeactiveerd. Hierdoor kan de rolstoel van een helling afrijden.
- De automatische parkeerrem functioneert alleen als de hendel in de positie 'Rijden' staat.
- Wanneer de rolstoel niet meer wordt geduwd, moet de vrijloophendel direct in de positie 'Rijden' worden gezet.
- Om het systeem handmatig voort te duwen, moeten de motorremmen worden ontkoppeld.
- De motorremmen mogen uitsluitend worden geactiveerd of gedeactiveerd als de stroom naar het systeem is uitgeschakeld.
- Verzekert u ervan dat u het systeem volledig onder controle hebt wanneer u de motorremmen ontkoppelt. Nadat u de motorremmen hebt ontkoppeld, heeft het systeem geen remmen.
- Verzekert u ervan dat de rolstoel op een vlakke ondergrond staat voordat u de motorremmen ontkoppelt.
- Duw de rolstoel uitsluitend voorwaarts door middel van de duwhandvatten. Ze bieden u veilige punten om de achterkant van de rolstoel vast te houden en een val of achterwaartse kanteling te voorkomen.
- Controleer of de grepen van de duwhandvatten niet draaien of van de buizen afglijden.

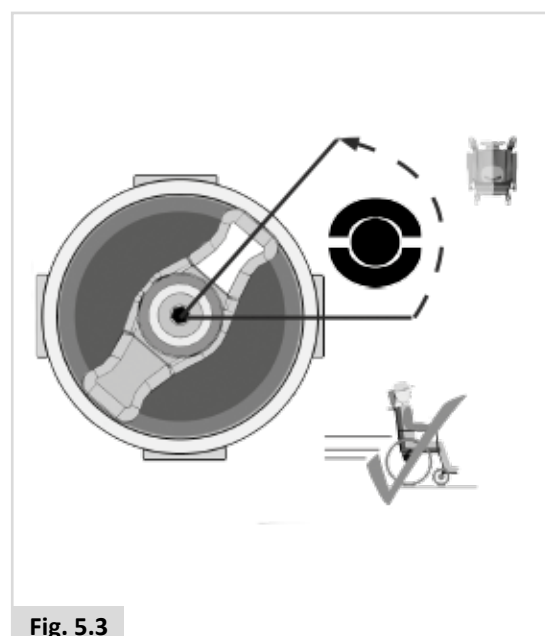


Fig. 5.3

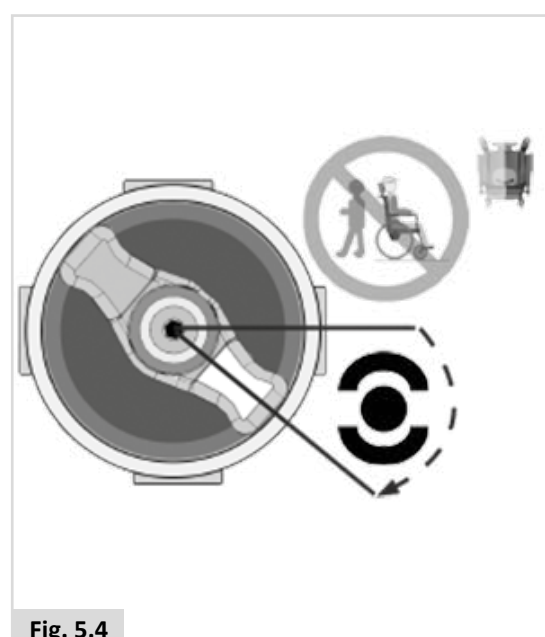


Fig. 5.4

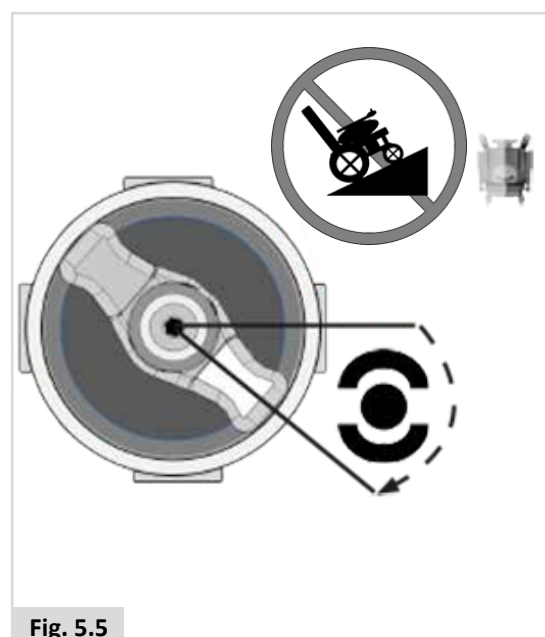




Fig. 5.5

5.9 (Elektrisch aangedreven) zitopties

De rolstoel kan met de volgende mechanische en/of elektrische verstellingen worden voorzien om de zitpositie aan te passen. Deze verstellingen kunnen door de gebruiker zonder gereedschap gebruikt worden.

Elektrische zitverstellingen (Fig. 5.6 - Fig. 5.8).

Hoe deze elektrisch aangedreven zitopties worden bediend, staat in  Bediening +  Zitsysteem:

1. Elektrische kantelverstelling
2. Elektrische hoog/laagverstelling
3. Elektrische rughoekverstelling
4. Elektrisch aangedreven comfort beensteunen

De elektrische rolstoel is mogelijk uitgerust met een functie waardoor met een snelheid van maximaal 4,5 km/h kan worden gereden terwijl de zitting in een verhoogde positie is. Deze optie wordt C-Me genoemd. Voor richtlijnen over het maximale gebruikersgewicht en de configuratie van de rolstoel wanneer de C-Me wordt gebruikt, verwijzen we naar uw erkende Sunrise Medical dealer.

Opmerking: In combinatie met de C-Me optie is het gebruikersgewicht beperkt tot maximum 136 kg.

GEVAAR!

- Het gebruik van de elektrische verstellingen kan de stabiliteit van de rolstoel beïnvloeden.
- Gebruik elektrische verstellingen alleen op vlakke ondergrond. Probeer nooit de elektrische verstellingen te gebruiken als de rolstoel op een helling staat.
- Vermijd contact met de actuators wanneer het component in beweging is. De elektrische verstellingen hebben een groot bereik. Gebruikers moeten zich bewust zijn van hun omgeving wanneer de onderdelen bewegen.
- Rij voorzichtig met dit zitsysteem wanneer deze in een achterwaarts gekantelde, verhoogde of gekantelde positie staat.
- Probeer nooit de elektrische verstellingen te gebruiken terwijl het zitsysteem in beweging is.
- Probeer nooit de elektrische hoog/laag en of kantelverstelling te gebruiken als er kinderen in de buurt zijn.
- Via de programmering kunnen alle elektrische verstellingen in omgekeerde richting worden uitgevoerd. Controleer in welke richting uw zitting zich zal bewegen voordat u de functie activeert.
- Houd er rekening mee dat de hoog/laag en kantelverstelling een gevaar op beklemming kan geven. Let goed op wanneer de hoog/laag en kantelverstelling worden gebruikt, zodat er geen handen of voeten, kleding of sieraden beklemd raken; dit kan tot letsel leiden.
- Rij niet met de zitting in verhoogde positie over rijplaten of hellingen. Voordat u probeert een helling op of af te gaan, dient u de rolstoel in de basispositie terug te brengen, met de rugleuning rechtop.
- Het elektrische systeem is zodanig ontworpen dat de maximale rijnsnelheid automatisch naar kruipmodus en/of C-Me wordt verlaagd wanneer bepaalde grenzen van de elektrisch aangedreven zitopties zijn bereikt. Afhankelijk van de instellingen van de rolstoel kunnen er verschillende kruipsnelheden en/of C-Me-snelheden zijn.
- Lees alle waarschuwingen en richtlijnen met betrekking tot deze optie voordat u met uw rolstoel in kruip- en/of C-Me-modus rijdt. Hierdoor begrijpt u beter hoe u het risico op vallen of kantelen kunt verminderen, en hoe u de omstandigheden in uw omgeving kunt herkennen die van invloed zijn op uw veiligheid wanneer de rolstoel in kruip- en/of C-Me-modus wordt gebruikt.
 1. Wanneer er (binnen of buiten) in kruipmodus wordt gereden, mag dit uitsluitend op vlakke en verharde oppervlakken plaatsvinden.
 2. Het rijden in kruipmodus mag nooit worden geprobeerd op ongelijk terrein zoals gravel, gras, hobbelige oppervlaktes, ongelijke bestrating of heuvels.
 3. Breng de zitting NOOIT omhoog wanneer de rolstoel wordt gebruikt op of rond de hierboven genoemde terreintypes, of op ongelijke oppervlaktes.

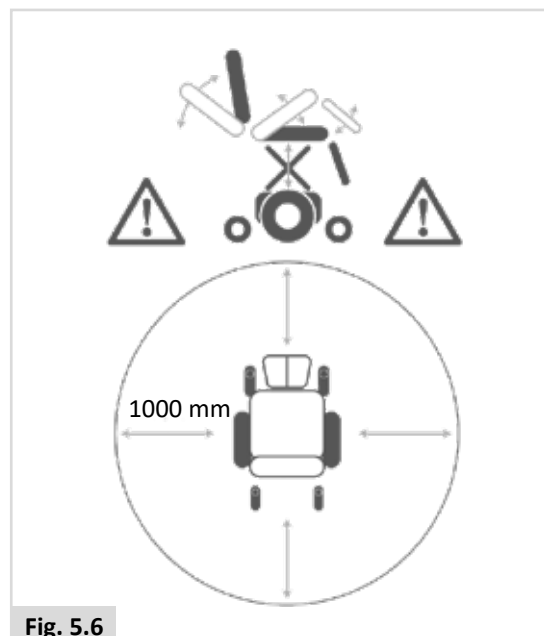


Fig. 5.6



Fig. 5.7

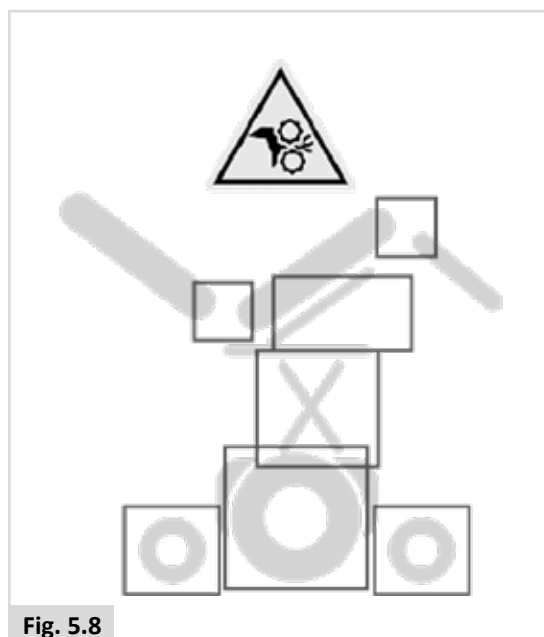


Fig. 5.8

6.0 Accu's, opladen en bereik

6.1 Accu's

Accu's vormen de krachtbron voor bijna alle moderne mobiliteitsproducten die tegenwoordig verkrijgbaar zijn. Het ontwerp van accu's die in mobiliteitsproducten worden gebruikt is wezenlijk anders dan bijvoorbeeld een accu van een auto. Auto-accu's zijn ontworpen om een grote hoeveelheid stroom te leveren in een korte periode, terwijl mobiliteitsaccu's (doorgaans "deep cycle" accu genoemd), hun vermogen gelijkmatig gedurende een lange tijdsduur afgeven. Derhalve zijn mobiliteitsaccu's doorgaans duurder, vanwege de lagere productieaantallen en hogere technologische eisen.

Meestal worden twee 12-volt accu's tegelijk gebruikt in een mobiliteitsproduct, wat een totaal vermogen van 24 volt oplevert. De capaciteit van de accu (d.w.z. het beschikbare vermogen) wordt in amps per uur uitgedrukt (bijv. 70 amp/u). Hoe hoger het getal, des te groter de capaciteit en het gewicht van de accu, en mogelijk, hoe groter de afstand die u kunt afleggen. Sunrise Medical levert dit type rolstoelen standaard met onderhoudsvrije accu's.

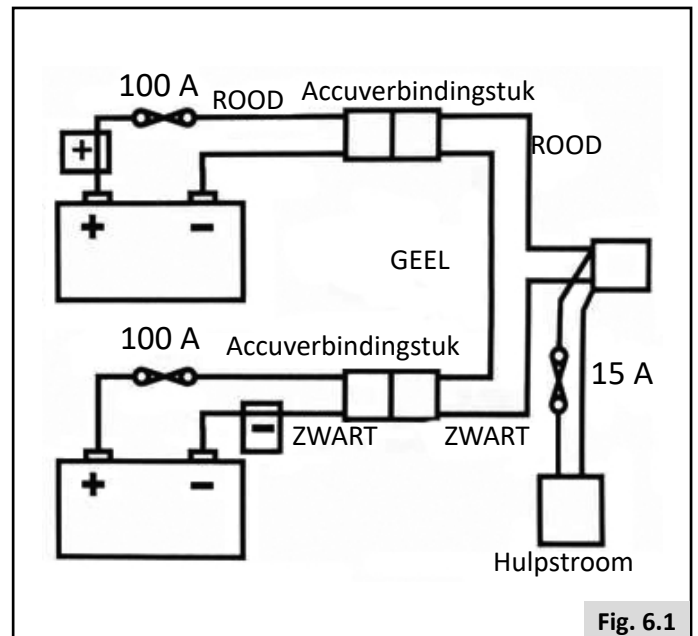
Dit soort accu is gevuld met een elektrolyte-gel. Zoals de naam al aangeeft, is er geen ander onderhoud nodig dan regelmatig laden. U kunt dit soort accu veilig vervoeren, zonder gevaar voor morsen van zuur. **Voorts is het toegestaan deze accu's in vliegtuigen, treinen en schepen te vervoeren.**

OPGELET!

- Plaats nooit auto-accu's in de rolstoel. Maak uitsluitend gebruik van 'deep cycle' onderhoudsvrije mobiliteitsaccu's.
- Als de accu's op zijn, breng ze dan weg naar het plaatselijke afvalverwerkingspunt.
- Stel de accu niet bloot aan hitte (open vuur, gasvlammen, etc.).
- Let vooral goed op dat er geen metalen voorwerpen op de accu vallen. Dit kan vonken geven of tot kortsluiting leiden in de accu of andere elektrische onderdelen. Dit kan zelfs tot een explosie leiden. Doe ook alle metalen persoonlijke voorwerpen, zoals ringen en kettingen, af wanneer u met de accu bezig bent.
- Lever de batterijen in bij Sunrise Medical of bij de fabrikant van de batterijen als ze niet langer voldoende opgeladen kunnen worden.
- De accupolen moeten geregeld worden gecontroleerd op tekenen van corrosie. Indien er sprake is van corrosie, maak dan de accupolen volledig schoon en vet ze in met Vaseline. Gebruik geen gewoon vet. Controleer of de accuaansluiting, pool, kabelklem en zichtbare kabel volledig met vaseline bedekt zijn.

GEVAAR!

- Stel de accu niet bloot aan hitte (open vuur, gasvlammen, etc.).
- Let vooral goed op dat er geen metalen voorwerpen op de accu vallen. Dit kan vonken geven of tot kortsluiting leiden in de accu of andere elektrische onderdelen. Dit kan zelfs tot een explosie leiden. Doe ook alle metalen persoonlijke voorwerpen, zoals ringen en kettingen, af wanneer u met de accu bezig bent.



GEVAAR!

- "Knoei" of "knutsel" nooit met de accu's. Als u twijfelt over de accu's, neem dan contact op met uw plaatselijke erkende Sunrise Medical dealer.
- Vermijd aanraking met "natte" accu's of met het zuur op beschadigde accu's van het verzegelde type.
- Accuzuur kan verbranding van de huid veroorzaken en tevens schade aan vloeren, meubilair of uw rolstoel veroorzaken.
- Als er accuzuur met de huid of kleding in contact komt, was deze dan onmiddellijk met water en zeep.
- Als er accuzuur in de ogen komt, spoel uw ogen dan onmiddellijk uit met koud, stromend water gedurende minstens 10 minuten en neem direct contact op met een arts.
- Gemorst zuur kan worden geneutraliseerd met baksoda en water.
- Houd de accu's altijd rechtop, speciaal wanneer u uw rolstoel vervoert.


Stroomonderbrekers

Er zijn diverse beveiligingssystemen ingebouwd om de elektrische systemen van uw rolstoel bij kortsluiting te beschermen, (Fig. 6.1).

1. In de accukast zijn 100 A smeltzekeringen geplaatst om de accu's en bedrading te beschermen.
2. 15A zekeringen voor hulpstroomcircuit voor ondersteunende modules en de stroomvoorziening voor het zitsysteem.

Neem contact op met uw erkende Sunrise Medical dealer om zekeringen te vervangen. Hij kan dan tevens de oorzaak van het doorbranden vaststellen.

6.2 Opladen van accu's:

 Acculader: Lees de gebruiksaanwijzing die met de oplader is meegeleverd, zorgvuldig door. De algemene procedures en effecten betreffende interferentie van de rolstoel en de accu's blijven van kracht.



Onderhoudsschema voor accu's


Hieronder wordt beschreven hoe u voor onderhoudsvrije accu's kunt zorgen. Dit hebben Sunrise Medical en de accufabrikant samen afgesproken om ervoor te zorgen dat u het beste uit uw accu's haalt. Als u de accu's op een andere wijze verzorgt, kan dit resulteren in een lagere dan verwachte prestatie van uw mobiliteitsvoertuig.

- Gebruik uitsluitend een Sunrise Medical oplader die overeen komt met het voertuig dat opgeladen moet worden.
- Laad uw accu's elke nacht op, ongeacht hoeveel u uw rolstoel overdag gebruikt heeft.
- Onderbreek de laadcyclus niet.
- Laat uw rolstoel aan de oplader staan wanneer u hem niet nodig hebt. Dit heeft geen schadelijke gevolgen voor de accu's, zolang de stekker in het stopcontact van het stroomnet zit. Wanneer u de kabel aangesloten laat, maar de stekker uit het stopcontact trekt, zal uw accu uiteindelijk leeg raken.
- Wanneer u uw rolstoel langere tijd niet nodig hebt (langer dan 15 dagen), laad dan de accu's volledig op en ontkoppel vervolgens de hoofdkabel van de accu.
- Wanneer u de accu's onvoldoende oplaadt, kan dit leiden tot een verkleinde actieradius en kortere levensduur van de accu's.
- Laad uw accu's overdag niet bij. Wacht tot de avond, wanneer een volledige laadcyclus mogelijk is.
- In het algemeen hebben onderhoudsvrije accu's meer tijd nodig om op te laden dan 'natte' loodzuur accu's.
- De accupolen moeten geregeld worden gecontroleerd op tekenen van corrosie. Indien er sprake is van corrosie, maak dan de accupolen volledig schoon en vet ze in met Vaseline. Gebruik geen gewoon vet. Controleer of de accuaansluiting, pool, kabelklem en zichtbare kabel volledig met vaseline bedekt zijn.
- Wanneer u alle bovengenoemde aanwijzingen opvolgt, resulteert dit in een grotere actieradius voor de gebruiker, beter functioneren en langere levensduur van de accu.

Aansluiten van de accu-oplader

Aansluiten van oplader en opladen

- Schakel de bediening van de rolstoel uit.  Bediening:
- Steek de ronde stekker van de acculader in het contact van de lader aan de voorzijde van de joystickmodule.  Bediening:
- Verbind de oplader met het stroomnet door middel van de netwerkstekker en zet de oplader aan.

Meer informatie over de acculader vindt u in de instructies die zijn meegeleverd met de oplader.  ACCULADER. Het kan tot 12 uur duren voordat de accu's weer volledig zijn opgeladen, afhankelijk van hoe leeg ze waren.

GEVAAR!

- Controleer of de snoer een zodanige plek heeft dat niemand er op staat, over struikelt of op andere wijze schade oploopt.
- Laat de accu niet boven op de oplader staan.
- Laat de oplader niet op een tapijt of andere zachte ondergrond staan. Plaats de oplader altijd op een harde ondergrond.
- Gebruik de oplader niet als deze een harde klap heeft gehad, is gevallen of op andere wijze beschadigd is. Breng de oplader eerst naar een erkende elektricien.
- Plaats de oplader nooit direct boven de accu terwijl deze wordt opgeladen. De gassen uit de accu veroorzaken corrosie en kunnen daardoor de oplader beschadigen.
- Laad nooit een bevroren accu op. Een volledig opgeladen accu zal vrijwel nooit bevriezen, maar de elektrolyten van een lege accu kunnen bevriezen bij een temperatuur van -9° Celsius. Wanneer u vermoedt dat de accu bevroren is, moet deze volledig worden ontdooid alvorens op te laden.
- Ga nooit met de oplader op schoot zitten terwijl u de accu's oplaadt.
- Het is normaal dat de behuizing van de oplader tijdens het opladen heet wordt.
- Haal de oplader niet uit elkaar; laat de oplader uitsluitend repareren door de fabrikant. Onjuiste hermontage kan leiden tot een elektrische schok of brand.
- Haal de oplader uit het stopcontact voordat u onderhoud pleegt of de oplader schoonmaakt. Zo verkleint u het risico om een elektrische schok te krijgen. Het uitzetten van het bedieningssysteem is niet voldoende om het risico te verkleinen.
- Rook niet en vermijd vonken of vlammen in de nabijheid van de accu en oplader.
- Laad de accu's niet buiten op.
- Het wordt aanbevolen een rookmelder te gebruiken in de ruimte waar wordt opgeladen.

Acculader

De externe oplader is ontworpen om twee in serie geplaatste 12 V gelaccu's (= 24V) op te laden.

De opladers zijn voorzien van veiligheidsfuncties om gevaar of ongelukken te voorkomen. Hierbij kunt u denken aan het verkeerd om plaatsen van de accu's, oververhitting door storingen, of het opladen van accu's met een ander voltage. De meeste opladers zijn dubbel geïsoleerd en hoeven niet te worden geaard. Sommige grotere maten kunnen wel elektrisch geaard zijn; dit wordt duidelijk op het label aangegeven.

Indien uw oplader bedoeld is voor gebruik in continentaal Europa, beschikt hij over een stekker met twee polen en heeft geen zekering. In dat geval bevindt de zekering zich in het bedieningspaneel van de oplader.

Specifieke informatie voor het land: GROOT-BRITTANNIË

De stekkers met drie pinnen (voor de Britse markt) bevatten een vervangbare zekering. Op het etiket van de oplader staat het aantal ampère van deze zekering.

GEVAAR!

- Vervang een kapotte zekering - zoals bij alle elektrisch aangedreven apparaten - altijd door een zekering van hetzelfde soort en maat, zoals gespecificeerd.
- Het plaatsen van een ander soort zekering kan leiden tot een grotere kans op brand, schade aan de oplader, of de oplader functioneert niet meer.

6.3 Het bereik van uw voertuig:

Kijk voor energieverbruik (maximale actieradius) in de tabellen met specificatie achterin deze handleiding.

De meeste fabrikanten van mobiliteitsproducten vermelden het bereik van hun voertuigen in de verkoopliteratuur of de handleiding. Het vermelde bereik verschilt soms per fabrikant, zelfs als de accumaat dezelfde is. Sunrise Medical meet het bereik van zijn voertuigen op consistente en uniforme wijze, maar er doen zich altijd variaties voor door effectiviteit van de motor en het totale gewicht van de rolstoel.

Het bereik is berekend volgens I.S.O. Standaard 7176, Deel 4: "energieverbruik van elektrische rolstoelen en scooters voor de bepaling van de theoretische maximumafstand".

Deze test wordt uitgevoerd in gecontroleerde condities met nieuwe, volledig opgeladen accu's op een vlakke testondergrond en een gebruikersgewicht van 100 kg. De verstrekte cijfers voor het bereik moeten beschouwd worden als een theoretisch maximum en kunnen teruglopen als een van de volgende omstandigheden of een combinatie daarvan zich voordoet:

- Gebruiker is zwaarder dan 100 kg.
- Accu's met een leeftijd en conditie die niet perfect zijn.
- Het terrein is zwaar door bijvoorbeeld heuvels, modderige grond, grind, gras, sneeuw of ijs.
- De stoepenklimmer wordt geregeld gebruikt.
- De omgevingstemperatuur is zeer warm of zeer koud.
- Onjuiste bandenspanning bij één of meer banden.
- Vaak starten en stoppen.
- Binnenshuis kan hoogpolig tapijt het bereik ook beïnvloeden.
- Gebruik van aanvullende opties die eveneens stroom verbruiken, zoals verlichting, actuators enzovoorts.

Elk Sunrise Medical product is uitgerust met een dusdanige maat accu dat deze voldoende vermogen heeft voor de leefwijze van de meeste gebruikers.

6.4 Garantie op de accu's:

De garantie op de accu's is afhankelijk van de termijn zoals bepaald door de fabrikant. Voor de meeste garantievoorwaarden geldt echter een gebruik- en slijtageclausule. Als uw accu na 6 maanden versleten is, is het niet mogelijk onder de garantiebepalingen een nieuwe accu te verkrijgen.

6.5 Vervangen van accu's

De rolstoel gebruikt twee in serie geplaatste 12V gesloten 'droge' gelaccu's. Deze accu's zijn volledig verzegeld en vereisen geen onderhoud.

Vervanging en onderhoud van accu's moet door een gekwalificeerde specialist worden uitgevoerd.

Neem bij storing in de accu's contact op met uw dealer.

⚠ GEVAAR!

- Probeer niet zonder toezicht van opgeleid en gekwalificeerd personeel de accu's te vervangen of te onderhouden.

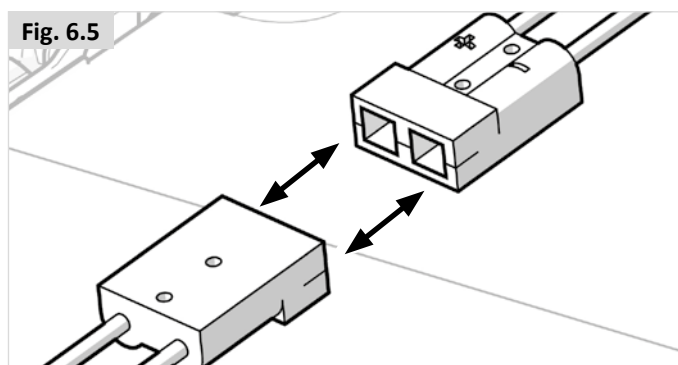
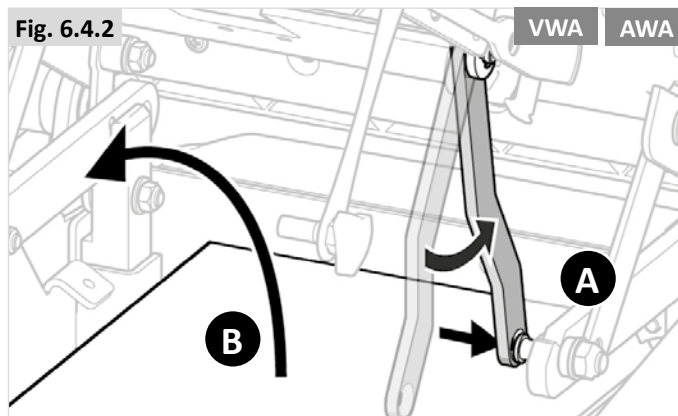
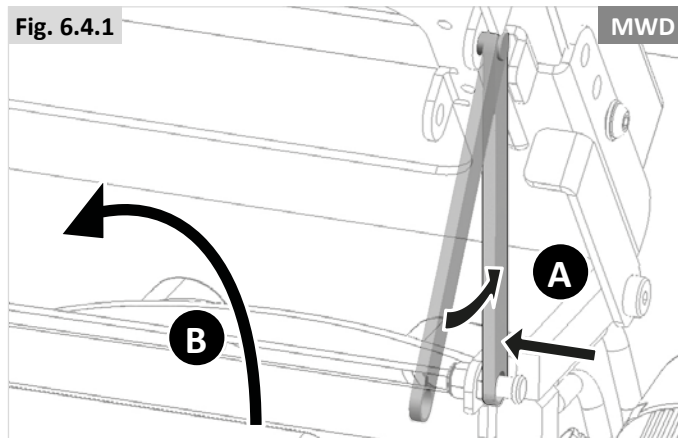
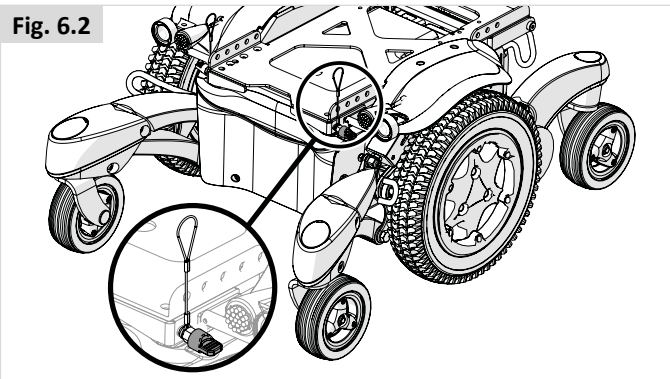
6.6 Afkoppelen van accu's voor luchttransport.

De accu's bevinden zich in de rij-eenheid onder de accubehuizing.

Om de accu's op de midwielaandrijver af te koppelen:

- Maak de twee schroeven los van de hendel onder de voorzijde van het zitframe, dat het zitframe verbindt met de interface van de zitmodule, (Fig. 6.2).
- Duw het frame van de zitting achterwaarts (Fig. 6.3).
- Controleer, voordat u het frame loslaat, of de zitting via de vergrendeling is veiliggesteld (Fig. 6.4.1 - A). Verzeker u ervan dat de rode zitvergrendeling volledig met de pen vergrendeld is.
- Til de deksel van de accubehuizing eraf, (Fig. 6.4.1 - B).
- Maak de twee Anderson connectors van iedere accu los (Fig. 6.5).

Om de accu's weer aan te sluiten, volgt u de bovenstaande procedure in omgekeerde volgorde.



Om de accu's op de voorwiel-, achterwiel- en hybride-aandrijving af te koppelen:

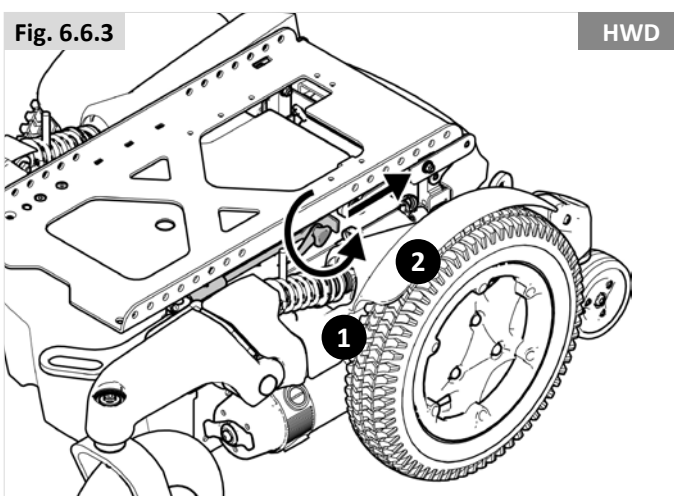
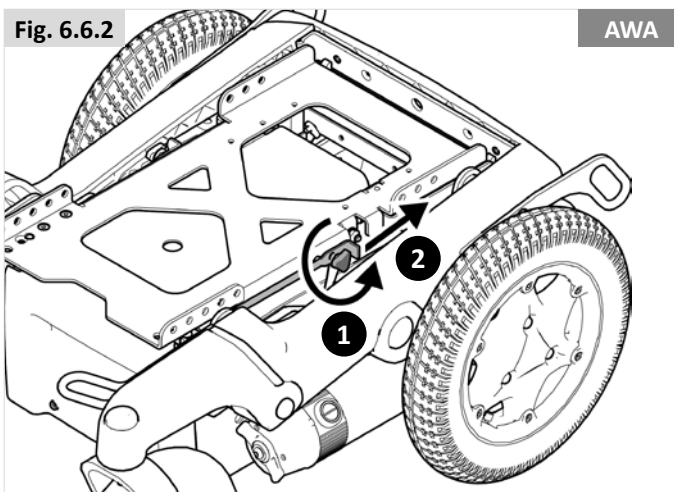
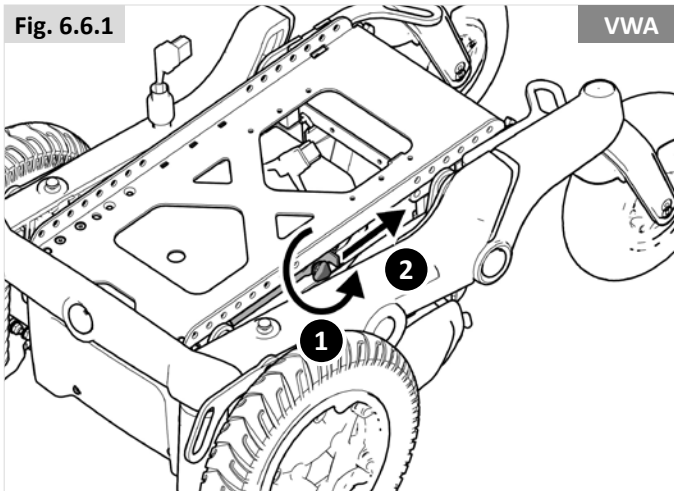
- Stap 1: maak de twee schroeven van de hendel onder het midden van het zittingframe los (deze verbinden het zittingframe met de interface van de zitmodule); stap 2: ontkoppel de hendel (Fig. 6.6.1 - 6.6.3).
- Duw het frame van de zitting achterwaarts (Fig. 6.3).
- Controleer, voordat u het frame loslaat, of de zitting via de vergrendeling is veiliggesteld (fig. 6.7 voorwiel - fig. 6.8 achterwiel - fig. 6.9 hybride).
- Nadat dit is vastgezet, (Fig. 6.4.2 - A), haalt u de deksel van de accubehuizing af (Fig. 6.4.2 - B). Verzekert u ervan dat de rode zitvergrendeling volledig met de pen vergrendeld is.
- Maak de twee Anderson connectors van iedere accu los (Fig. 6.5).

Om de accu's weer aan te sluiten, volgt u de bovenstaande procedure in omgekeerde volgorde.

WAARSCHUWING:

Door het verwijderen van de accu's kan het zwaartekrachtspunt wijzigen. Het kan gebeuren dat de rolstoel achterover kantelt doordat het gewicht van de accu's ontbreekt. Sunrise adviseert:

- iets achter de stoel te zetten om de situatie veilig te stellen. Bijvoorbeeld een stoel, kruk of iets dergelijks.
- Probeer eerst de accu een klein stukje op te tillen om te zien wat er gebeurt wanneer u de accu weghaalt.



⚠ WAARSCHUWING:

Door het verwijderen van de accu's kan het zwaartekrachtcentrum wijzigen. Het kan gebeuren dat de rolstoel achterover kantelt doordat het gewicht van de accu's ontbreekt. Sunrise adviseert:

- iets achter de stoel te zetten om de situatie veilig te stellen. Bijvoorbeeld een stoel, kruk of iets dergelijks.
- Probeer eerst de accu een klein stukje op te tillen om te zien wat er gebeurt wanneer u de accu weghaalt.

Fig. 6.7

VWA

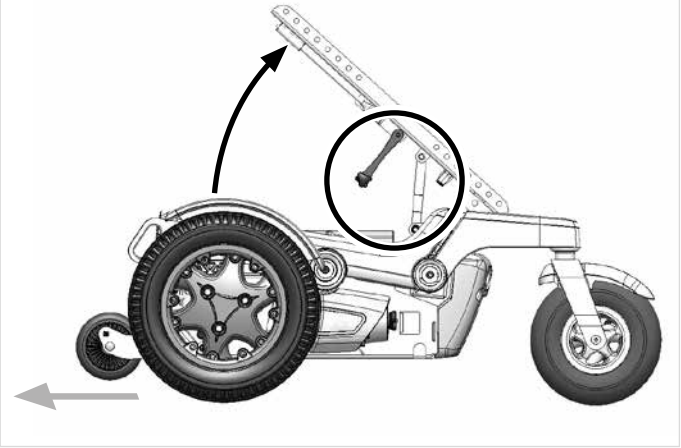


Fig. 6.8

AWA

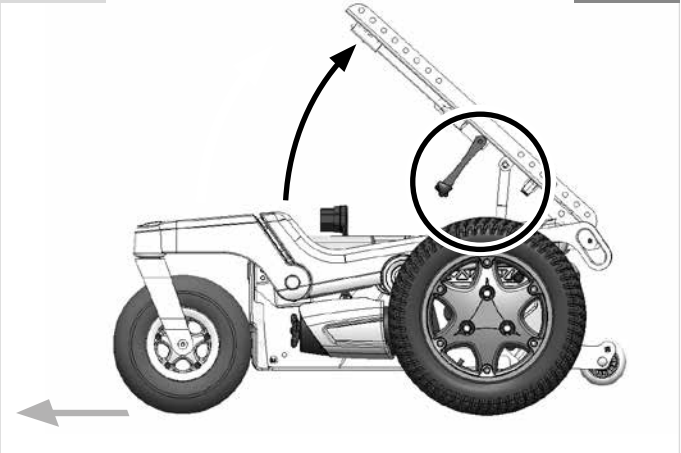
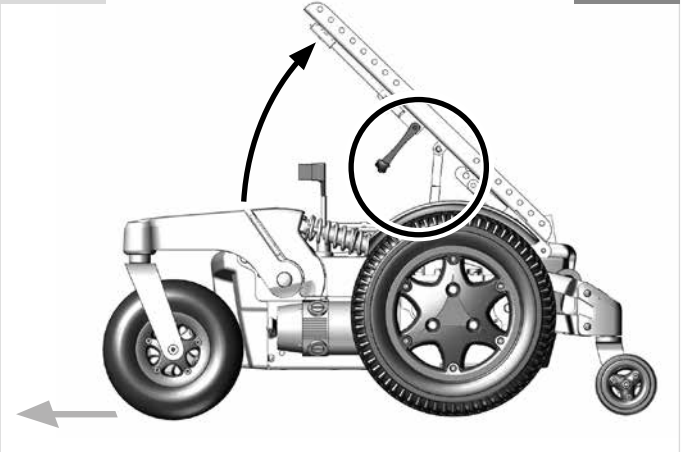


Fig. 6.9

HWD



7.0 Transport

7.1 Vervoer van de rolstoel in een auto

Verplaatsing in en uit het voertuig

⚠ GEVAAR!

- Controleer of het voertuig over de juiste hulpmiddelen beschikt om een passagier in een rolstoel te vervoeren. Controleer tevens of de methode om in en uit het voertuig te komen, geschikt zijn voor uw type rolstoel. De vloer van het voertuig moet sterk genoeg zijn om het gecombineerde gewicht van de rolstoel, de persoon die in de stoel zit en de accessoires te dragen.
- Om de rolstoel in het voertuig te zetten, gebruikt u een oprijplaat (of liftinstallatie) die geschikt is om het totale gewicht van de rolstoel (inclusief persoon) te dragen.
- De rolstoel moet in voorwaartse richting worden vastgezet. Deze rolstoel is goedgekeurd voor gebruik in auto's en voldoet aan de vereisten van transport in voorwaartse richting en frontale botsingen. De rolstoel is niet getest voor andere posities in een voertuig (Fig. 7.1).

⚠ OPGELET!

- Rondom de rolstoel dient voldoende ruimte te zijn om de spanbanden en veiligheidsgordels te bevestigen en de rolstoel goed en gemakkelijk vast te zetten en los te maken.
- Het gemak waarmee een rolstoel in een auto kan worden geplaatst en hierin kan worden gemanoeuvreerd, wordt in aanzienlijke mate bepaald door de maat en actieradius van de rolstoel; het is doorgaans gemakkelijker kleinere rolstoelen en rolstoelen met een kleinere draaistraal in een auto te zetten en in voorwaartse positie te plaatsen.

Veiligstellen van een rolstoel door middel van een bevestigingssysteem met spanbanden

Deze rolstoel heeft de crashtest met goed gevolg doorstaan in overeenstemming met: ISO 7176-19:2008, waarbij een representatief bevestigingssysteem werd gebruikt.

- Gebruik 6 banden (2 aan de voorzijde en 4 aan de achterzijde) als het 4-puntsysteem niet geclassificeerd is voor het gewicht van de rolstoel die voldoet aan de internationale norm ISO 10542-1. Standaardbanden zijn slechts tot 85 kg getest.
- Het wordt aanbevolen een 4-puntsbevestigingssysteem te gebruiken (2 aan de voorzijde, 2 aan de achterzijde, Fig. 7.2 en 7.3) dat is geclassificeerd voor het totale gewicht van de rolstoel inclusief opties (hoog belastbaar systeem) dat voldoet aan: ISO 10542-1 (internationaal).

OPMERKING: Gebruik spanbandsystemen in overeenstemming met de aanwijzingen van de fabrikant.

Verklaring van de gebruikte terminologie:

1) WTORS: *Wheelchair Tie-down Occupant Restraint System* (Veiligheidssysteem voor de rolstoel en de gebruiker)

Aanbevolen hoeken voor bevestigingsbanden (Fig. 7.2 - 7.3).

Fig. 7.1

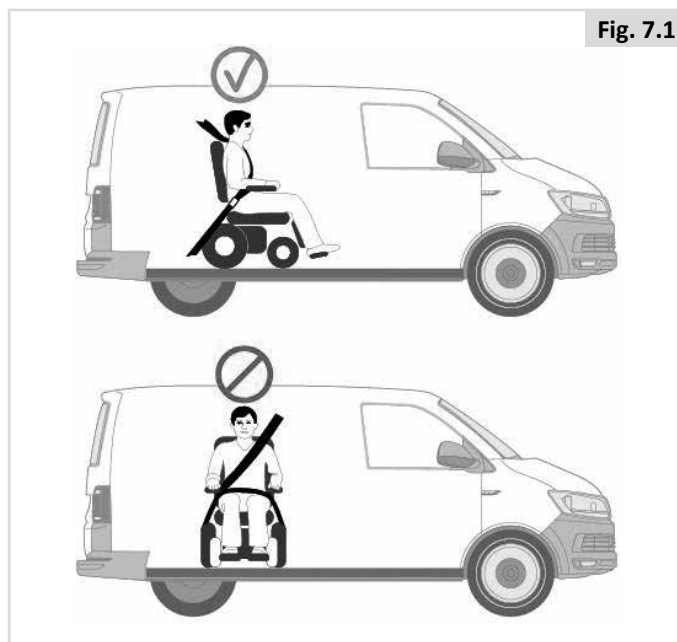
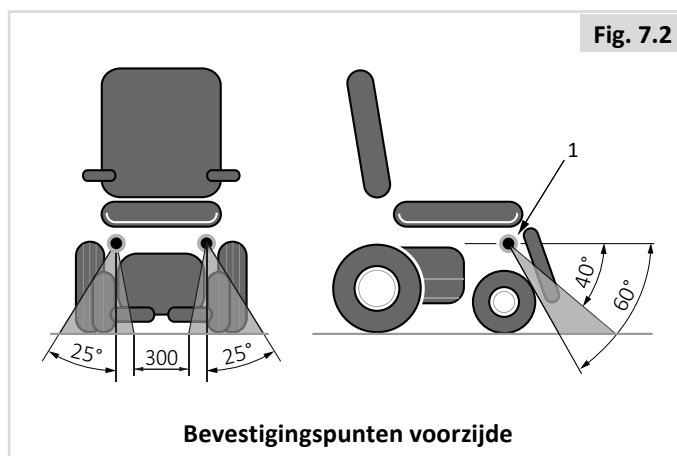
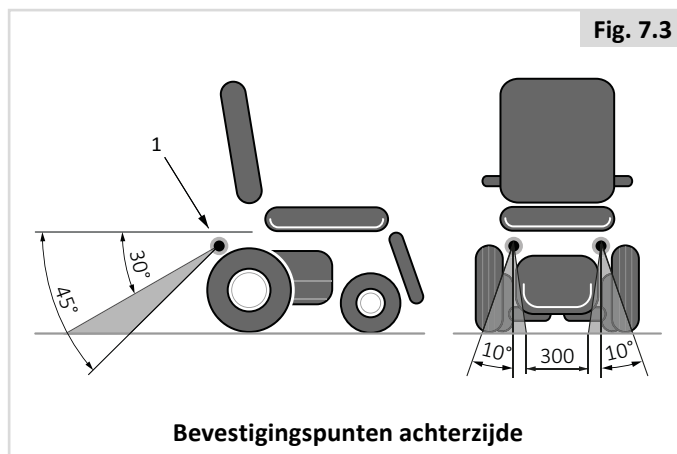


Fig. 7.2



Bevestigingspunten voorzijde

Fig. 7.3



Bevestigingspunten achterzijde

⚠ GEVAAR!

- De rolstoel kan uitsluitend worden vastgezet via de verankeringspunten op het rolstoelframe (Fig. 7.5).
- De verankeringspunten (2 aan de voorzijde, 2 aan de achterzijde), worden aangegeven met het verankeringsymbool (Fig. 7.4). Bevestig eerst de voorste banden, daarna de achterste. Trek de banden aan om de rolstoel vast te zetten. De rolstoel mag niet worden vastgezet aan de accessoires (draagarmen, armsteunen, antitipbeugels, etc.).
- Er mag niets worden gewijzigd aan of vervangen van de constructieve elementen of delen van het frame, of aan de verankeringspunten/bevestigingspunten op de rolstoel voor vervoer in een auto, zonder voorafgaand overleg met de fabrikant.
- Wanneer er geen bevestigingssysteem aanwezig is en er niemand in de rolstoel wordt vervoerd, moet de rolstoel tijdens de reis op de juiste wijze worden opgeborgen en vastgezet in de bagageruimte.

Fig. 7.4

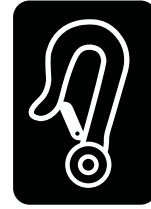
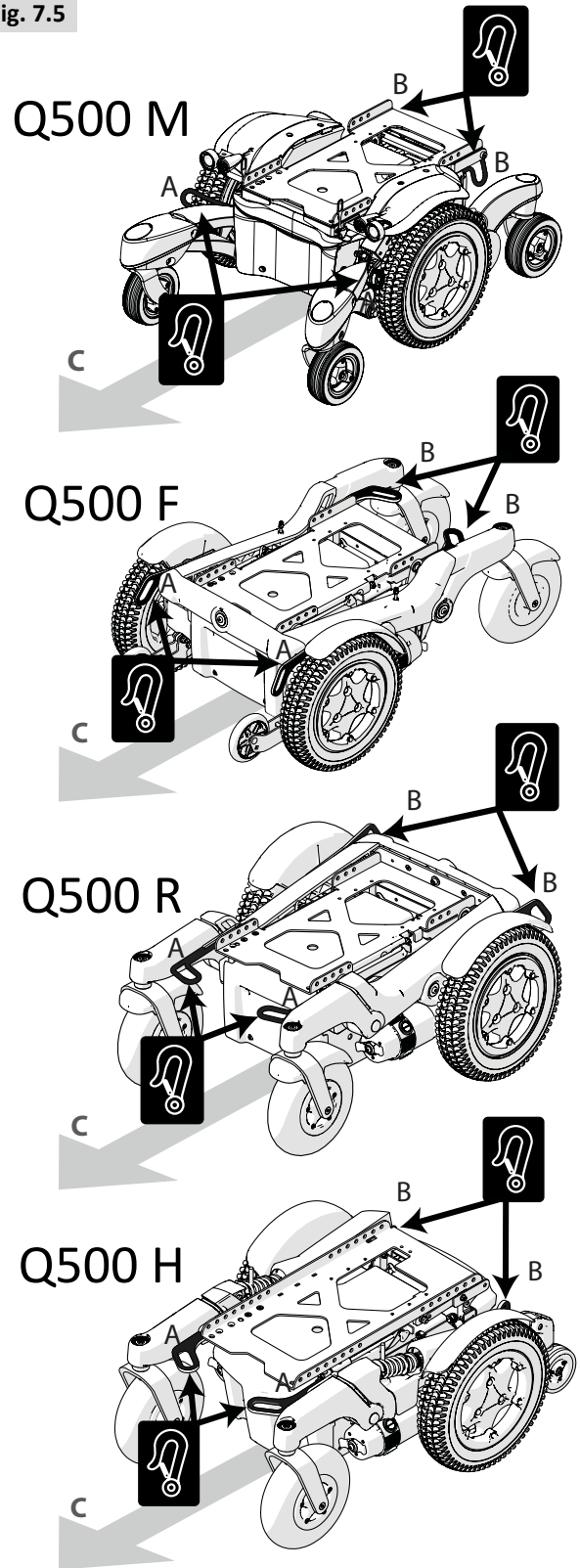


Fig. 7.5



- A** Verankeringspunten voorzijde.
- B** Verankeringspunten achterzijde.
- C** Rijrichting.

7.2 Gebruik van het Dahl dockingsysteem (Mark II (#501750) & Variodock (#503600))

7.2.1 Onderstellen met Midwielaandrijving, Voorwielaandrijving en Achterwielaandrijving voorzien van Sedeo Pro & UP.

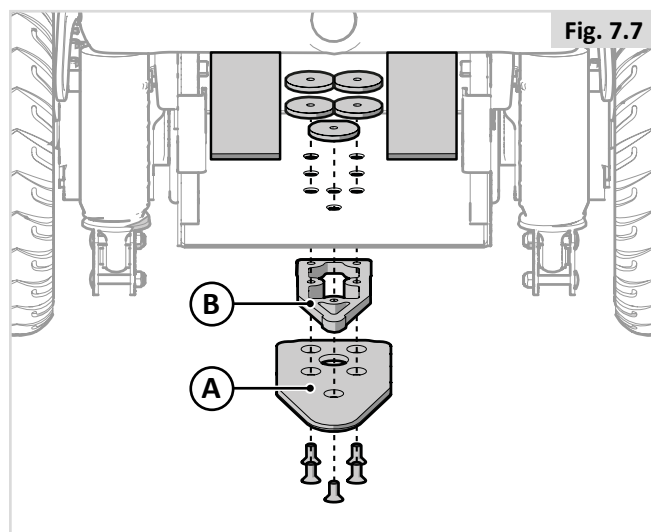
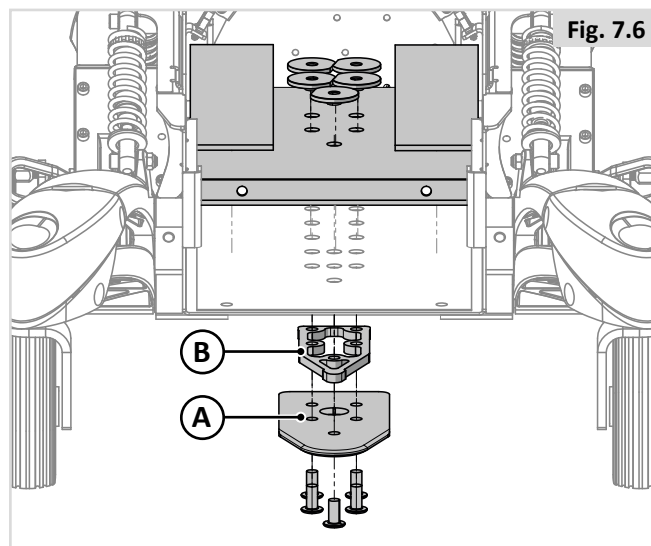


OPGELET!

De montage mag uitsluitend door een gekwalificeerde monteur worden uitgevoerd. Lees alle instructies aandachtig door voordat u met de montage verder gaat.

Om de aankoppelplaat te installeren, gebruikt u de Dahl Adaption Kit #503439 voor het model met midwielaandrijving, #503637 voor de modellen met achterwielaandrijving en voorwielaandrijving en #501798 voor hybride modellen.

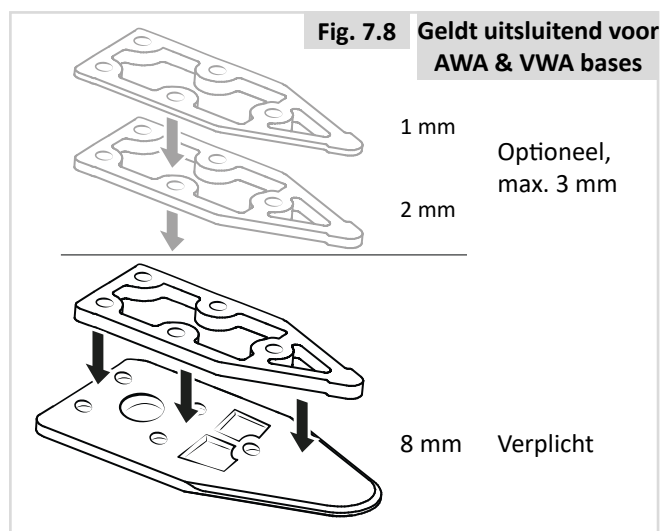
1. Plaats de 8 mm afstandhouder (B) op de aankoppelplaat (A) (fig. 7.6 voor MWA, AWA en VWA, fig. 7.7 voor de hybride basis).



2. Gebruik eventueel meer pasringen om de gewenste dikte te krijgen met betrekking tot, bijvoorbeeld, het gewicht van de gebruiker en de bandenspanning (Fig. 7.8).

Er kunnen extra pasringen onder het dockingstation worden gemonteerd. Om de hoogte van de aankoppelplaat onder de rolstoel aan te passen aan het Mark II dockingstation, kunnen extra afstandhouders tussen het dockingstation en de vloer van het voertuig worden geplaatst om het dockingstation te verhogen. De Dahl Variodock kan elektrisch in hoogte worden versteld. Hierdoor zijn er geen extra afstandhouders nodig om de hoogte aan te passen.

Voor de midwielaangedreven basis geldt dat slechts de 2 x 8 mm afstandhouders mogen worden geïnstalleerd. Er mogen geen extra afstandhouders worden toegevoegd.



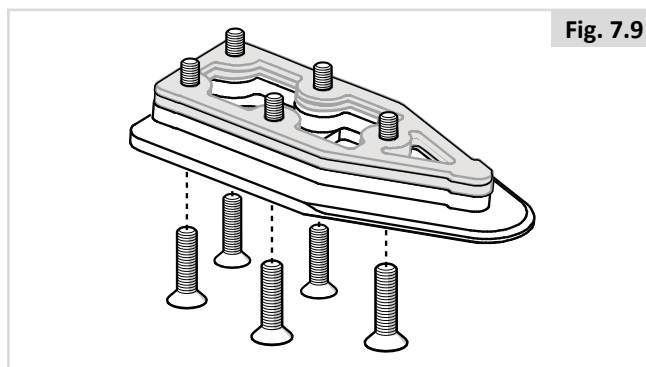
3. Steek de vijf bouten door de aankoppelplaat, het verplichte passtuk van 8 mm en de gekozen optionele pasringen (grijs in de afbeelding) (Fig. 7.9).

⚠ WAARSCHUWING!

Gebruik uitsluitend door Dahl Engineering geleverde bouten (onderdeel #502800 (M8)). Deze zijn van hoogwaardige kwaliteit staal gemaakt. Standaardbouten zijn niet sterk genoeg wanneer het voertuig bij een botsing betrokken raakt.

⚠ OPGELET!

De montage mag uitsluitend door een gekwalificeerde monteur worden uitgevoerd. Lees alle instructies aandachtig door voordat u met de montage verder gaat.



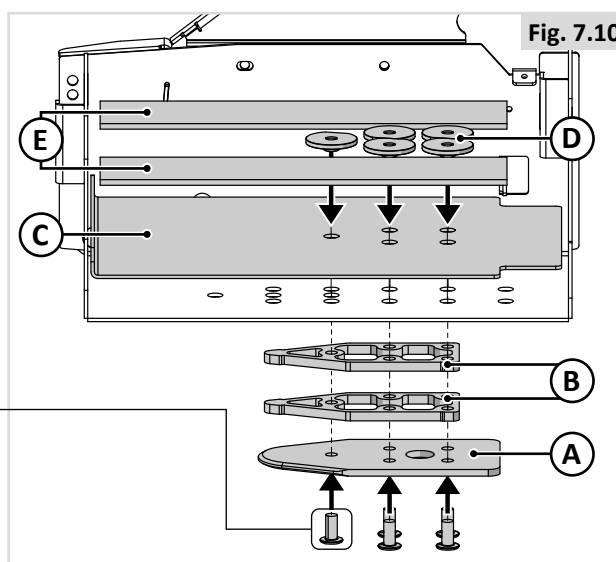
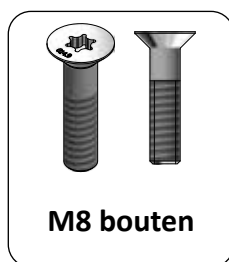
Bevestigen van de versterkingsplaat

Benodigde gereedschappen:

- Torx bit T27 (voor alle bases)
- Momentsleutel (16-18 Nm)
- Haakse slijper
- Markering

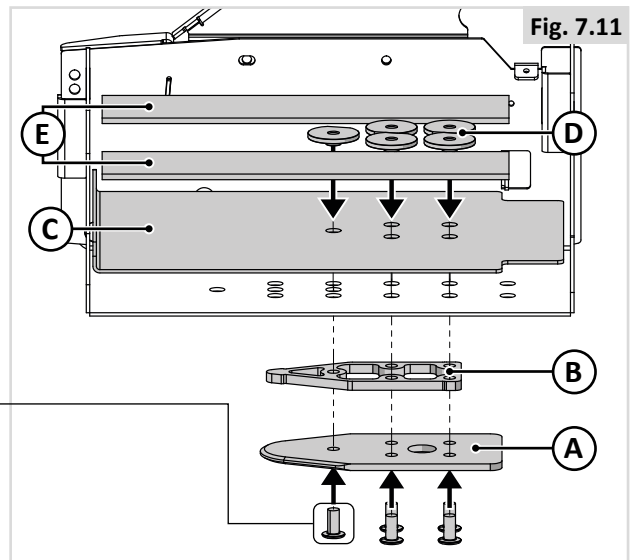
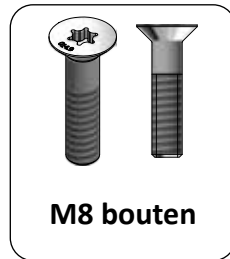
Voor Q500M Basis (Dahl-Docking-systeem Adaption Kit 503439)

Bevestig de vijf bouten (M8) met de aankoppelplaat (A) en de afstandhouders (B) (aan de onderzijde van het frame van de rolstoel), samen met de versterkingsplaat (C), speciale bouten (D) en plastic passtukken (E) (binnen het frame van de rolstoel) (Fig. 7.10).



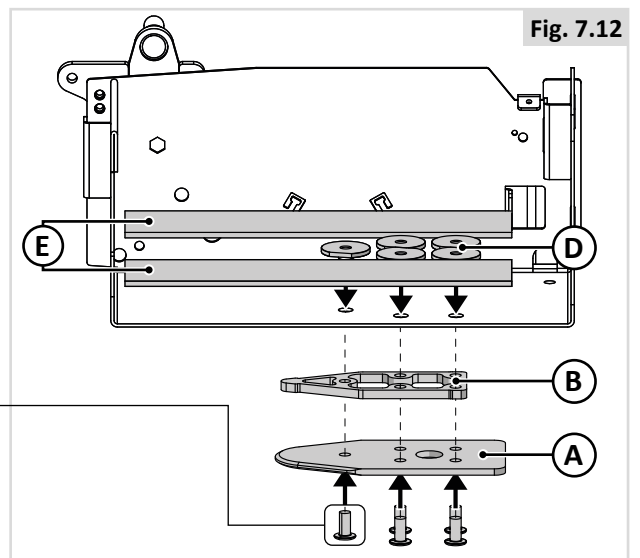
Voor Q500F en Q500R bases (Dahl-Docking-systeem Adaption Kit 503637)

Bevestig de vijf schroeven (M8) met de aankoppelplaat (A) en de afstandhouder (B) (aan de onderzijde van het frame van de rolstoel), samen met de verstevigingsplaat (C), speciale bouten (D) en plastic passtukken (E) (binnen het frame van de rolstoel) (Fig. 7.11).

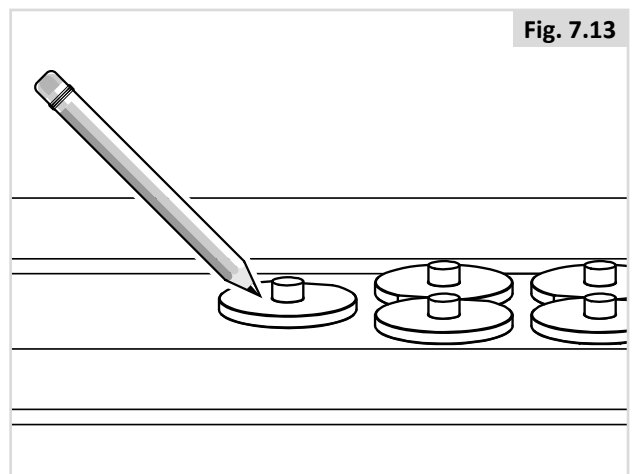


Voor Q500H Basis (Dahl-Docking-systeem Adaption Kit 501798)

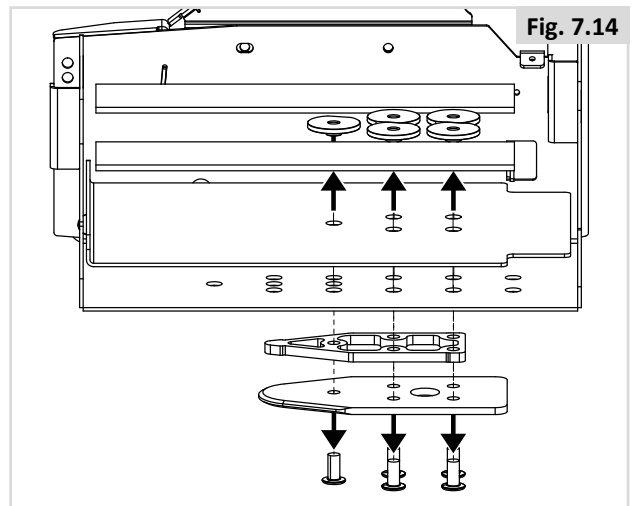
Monteer de vijf schroeven (M8) met de aankoppelplaat (A) en de afstandhouder (B) (aan de onderzijde van het chassis), en verbindt ze met de speciale bouten (D) en plastic passtukken (E) (aan de binnenkant het chassis) (Fig. 7.12).



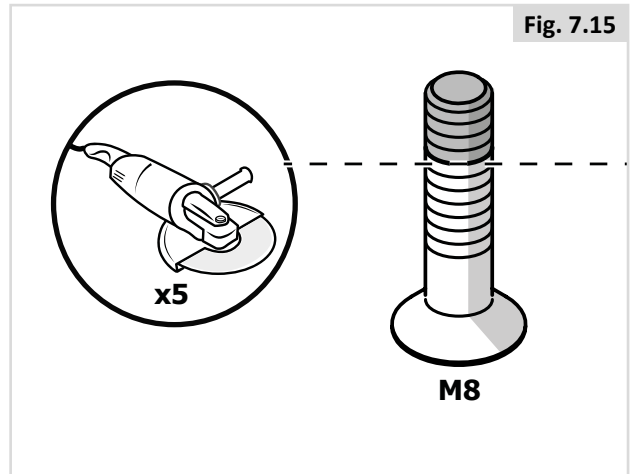
4. Markeer waar de bouten afgezaagd moeten worden. (Fig. 7.13).



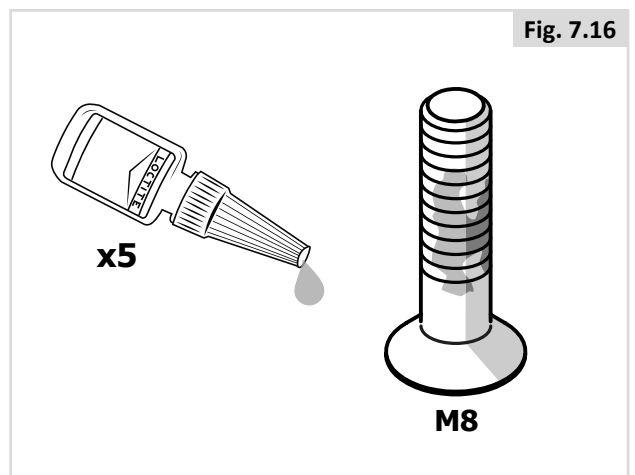
5. Verwijder de bouten, de afstandhouder(s) en aankoppelplaat (fig. 7.14).



6. Zaag de bout op de plek waar hij is gemarkeerd (Fig. 7.15). Het is erg belangrijk dat de monteur controleert of de dikte van de moeren correct is. Als de bouten te kort zijn en de schroefdraad niet volledig wordt gedekt, hebben de bouten niet voldoende kracht om de vereiste lading te dragen. Als de bouten te lang zijn, kunnen de accu's of andere onderdelen van de rolstoel beschadigd raken. Vervang de bouten indien nodig door langere bouten, of kort ze in.

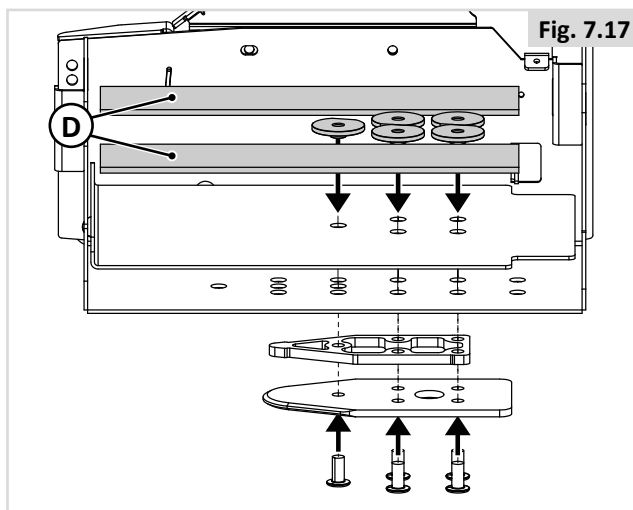


7. Doe Loctite 243 (of een gelijkwaardig product) op de schroefdraad van de bouten (Fig. 7.16).



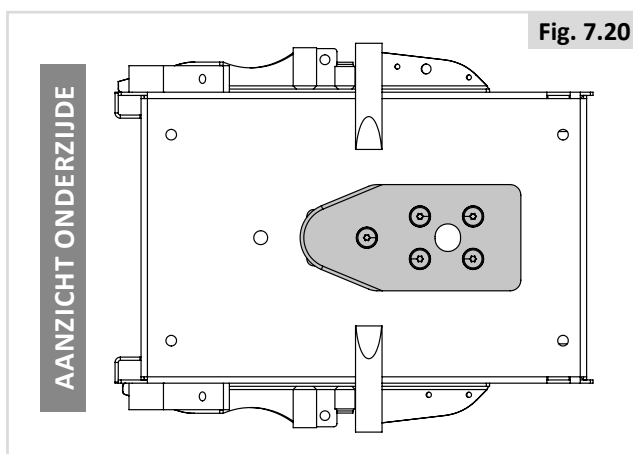
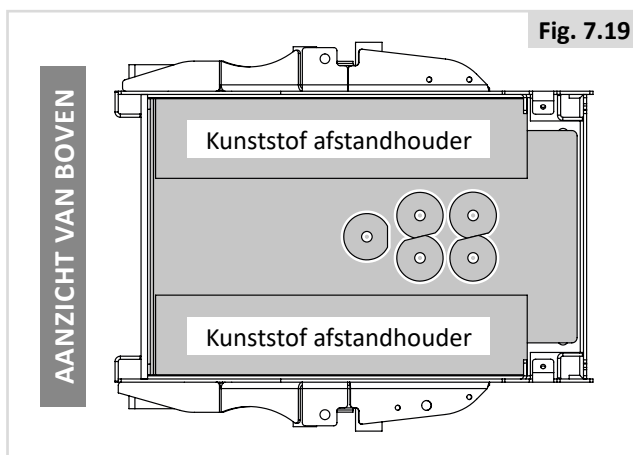
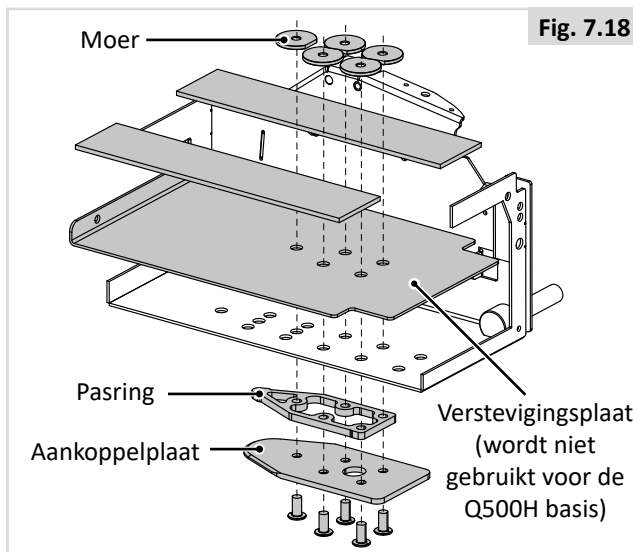
8. Bevestig de vijf bouten samen met de afstandhouder(s), de aankoppelplaat en de versterkingsplaat (draaikracht: 16-18 Nm/13.3 lb.ft). Breng vervolgens de plastic passtukken (D) aan om te voorkomen dat de moeren met de accu's in contact komen.) (fig. 7.17).

Zie hoofdstuk 6.6 van deze handleiding om de procedure omgekeerd uit te voeren om accu's te vervangen.



Bevestigen van de Dahl aankoppelplaat - eindresultaat (fig. 7.18-7.20)

Q500H wijkt af van de getoonde afbeelding (geen versterkingsplaat).



Sticker waarmee wordt aangegeven dat er een Dahl-Docking-systeem op de rolstoel is geïnstalleerd (fig. 7.21)

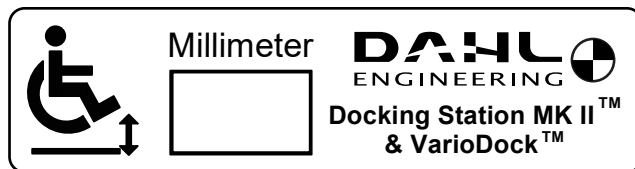
Het getal dat op de sticker genoteerd staat, geeft aan hoe groot de ruimte vanaf de grond tot de rolstoel is (min 1 - 2 mm). Voor de elektrisch in hoogte verstelbare VarioDock™ is dit de hoogte waarop de display moet worden ingesteld. Voor de MK II is dit de uiteindelijke hoogte waarop de docking-eenheid geïnstalleerd moet worden. Als de docking-eenheid niet op de juiste hoogte wordt ingesteld/geïnstalleerd, bestaat de kans dat de aankoppelplaat niet soepel in de docking-eenheid glijdt. Of het dockingstation en de rolstoel kunnen zelfs helemaal niet op elkaar worden aangesloten.

Diegene die de aankoppelplaat installeert, moet na installatie de ruimte tussen de grond en rolstoel meten waarbij de gebruiker in de rolstoel zit. Vervolgens moet de uiteindelijke hoogte op de sticker worden genoteerd. Zorg ervoor dat de banden tot de juiste spanning zijn opgepompt.

Bevestig de sticker op een plek die goed zichtbaar is voor een chauffeur of begeleider.

Zie voor meer informatie ook de gebruikersinstructies en instructies voor installatie van het Dahl-Docking-systeem Station Mk II and VarioDock.

Fig. 7.21



Laatste controles voor het DAHL dockingsysteem

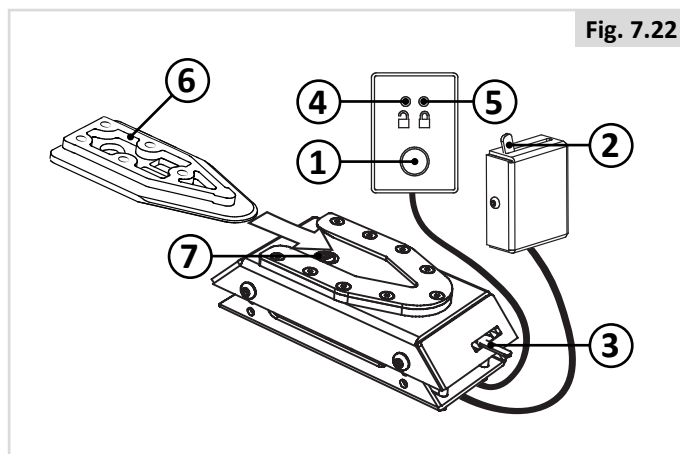
Mark II (fig. 7.22)

Voer een slotcontrole uit door de rolstoel met het dockingstation te verbinden. Controleer of alles is vergrendeld en controleer of alle ontgrendelingsmethodes functioneren zoals bedoeld.

Er klinkt een geluidssignaal als de aankoppelplaat niet goed vastkoppelt.

1. Ontgrendelingsknop.
2. Handmatig te bedienen hendel.
3. Noodontgrendeling.
4. Rood LED-lampje.
5. Groen LED-lampje.
6. Aankoppelplaat.
7. Borgpen.

Fig. 7.22

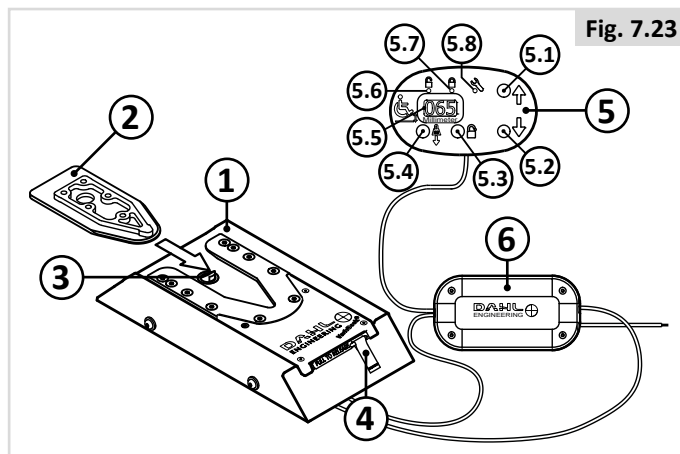


VarioDock (Fig. 7.23)

De functies van de Dahl VarioDock™

1. Dahl VarioDock™
2. Aankoppelplaat en afstandhouder
3. Borgpen
4. Handmatige noodontgrendeling
5. Bedieningspaneel
 - 5.1 Naar boven aanpassen (gele knop)
 - 5.2 Naar beneden aanpassen (groene knop)
 - 5.3 Ontgrendelingsknop (rode knop)
 - 5.4 Naar beneden trekken om speling te verwijderen (blauwe knop)
 - 5.5 Display met stroomweergave
 - 5.6 Rode ledlamp (rolstoel NIET vergrendeld, kan van het dockingstation worden verwijderd)
 - 5.7 Groene ledlamp (rolstoel IS vergrendeld)
 - 5.8 Licht op wanneer onderhoud noodzakelijk is
6. Bediening

Fig. 7.23



De Dahl VarioDock™ (1.) is ontworpen om handmatig en elektrisch voortbewogen rolstoelen en Dahl zittingbases vast te zetten op de vloer van een voertuig. De functies van de Dahl VarioDock™ worden bediend en gecontroleerd door een bedieningsmodule (6.). Hiermee wordt ook stroom naar de verschillende onderdelen gestuurd, en worden signalen van en naar het bedieningspaneel ontvangen en verzonden. Bekabeling wordt meegeleverd. Verander niets aan de meegeleverde bekabeling of andere onderdelen. Er moeten een aankoppelplaat en een 8 mm afstandhouder (2.) onder de rolstoel worden bevestigd. Wanneer de rolstoel in de richting van de VarioDock™ wordt gemanoeuvreerd, wordt de rolstoel door middel van de aankoppelplaat naar zijn positie geleid.

Wanneer de aankoppelplaat volledig contact maakt met de Variodock, wordt de aankoppelplaat automatisch door middel van een borgpen met veer (3.) gezekeerd. De VarioDock™ is voorzien van een ingebouwde controleschakelaar die aangeeft of de aankoppelplaat correct in de VarioDock™ is gezekeerd.

Zodra de aankoppelplaat in contact komt met de borgpen, klinkt een waarschuwingssignaal (een hoog geluidssignaal) en het rode ledlampje (5.6.) op het bedieningspaneel gaat branden totdat de aankoppelplaat volledig is aangekoppeld of de rolstoel van de VarioDock™ is verwijderd. Wanneer de rolstoel op de juiste wijze is gezekeerd, stopt het waarschuwingssignaal, en gaat het groene ledlampje (5.7.) op het bedieningspaneel branden. Hiermee wordt aangegeven dat de rolstoel op de juiste wijze is vastgezet. Het bedieningspaneel (5.) (zie de beschrijving van de functies van het bedieningspaneel op blz. 32) is verbonden met een elektromagneet. Deze activeert/ontgrendelt de borgpen gedurende 5 tot 8 seconden. Daarna vergrendelt de borgpen automatisch.

Aan de voorzijde van de VarioDock zit een handmatige ontgrendelingsfunctie (4.) voor het geval dat zich een elektrische storing voordoet. Om de rolstoel los te koppelen, moet de rode webbing op de ontgrendelingshendel naar één kant worden getrokken en gehouden. Ook kan in noodgevallen het speciale noodgereedschap worden gebruikt dat met de VarioDock™ wordt meegeleverd.

Vastzetten van de rolstoel in het dockingstation

Zorg ervoor dat bij het binnengaan in het voertuig de beensteunen niet in aanraking met de oprijplaat of het dockingstation komen.

1. Manoeuvreer de rolstoel langzaam en in de juiste richting over het dockingstation. Via de aankoppelplaat onder de rolstoel wordt de rolstoel naar de juiste plaats in het dockingstation geleid. Wanneer de aankoppelplaat volledig contact maakt met het dockingstation, wordt de aankoppelplaat automatisch door middel van een borgpen met veer gezekeerd.
2. Het dockingstation is voorzien van een controleschakelaar die aangeeft of de aankoppelplaat correct in het dockingstation is gezekeerd. Zodra de aankoppelplaat in contact komt met de borgpen, klinkt een waarschuwingssignaal (een hoge fluittoon) en het rode ledlampje op het bedieningspaneel gaat branden totdat de aankoppelplaat volledig is aangekoppeld of de rolstoel van het dockingstation is verwijderd.
3. Wanneer de rolstoel op de juiste wijze is gezekeerd, stopt het waarschuwingssignaal, gaat het rode lichtje op het bedieningspaneel uit en gaat het groene ledlampje branden.
4. Vergeet niet de veiligheidsgordels vast te maken voordat het voertuig in beweging komt.

Loskoppelen van het dockingstation

1. Verwijder de veiligheidsgordel nadat het voertuig tot stilstand is gekomen.
2. Om los te koppelen moet de rolstoel eerst naar voren worden gereden om de druk op de borgpen weg te nemen. Druk vervolgens op de rode ontgrendelingsknop op het bedieningspaneel. De borgpen wordt ongeveer 5 seconden geactiveerd/losgekoppeld; daarna wordt de borgpen automatisch weer vergrendeld/geactiveerd. Pas als het rode ledlampje op de bedieningsmodule gaat branden, wat aangeeft dat het systeem ontgrendeld is, kunt u achterwaarts uit het dockingstation rijden!
WAARSCHUWING! Wanneer wordt geprobeerd achterwaarts te rijden voordat het rode ledlampje brandt, wordt het vergrendelingsmechanisme van het dockingstation geblokkeerd, waardoor het onmogelijk wordt om achterwaarts te rijden. Als dit toch gebeurt, dient de hierboven beschreven ontgrendelingsprocedure opnieuw te worden uitgevoerd.
3. Rij de rolstoel binnen de 5 seconden weg van het dockingstation.

Handmatige ontkoppeling in geval van elektrische storing

1. Voor het geval er een elektrische storing optreedt, bevindt zich aan de voorzijde van het dockingstation een handmatige noodontgrendeling. Rij de rolstoel naar voren om de druk op de borgpen weg te nemen en duw vervolgens de rode ontgrendelingshendel naar de zijkant. Houd de grendel zo vast terwijl de rolstoel achterwaarts uit het dockingstation rijdt.
2. Er kan ook een handmatig bediende hendel worden bevestigd die door een kabel wordt geactiveerd (accessoire). De rode ontgrendelingshendel moet naar één kant worden geduwd en daar worden vastgehouden terwijl de rolstoel wegrijdt van het dockingstation.
3. Met het dockingstation wordt een rood plastic ontgrendelingsgereedschap meegeleverd. Mocht het niet lukken om de rolstoel via de beschreven handmatige ontgrendeling te ontkoppelen, dient dit gereedschap te worden gebruikt.

Rij de rolstoel naar voren om de druk van de borgpen af te halen en plaats het gereedschap voor noodontgrendeling in de ruimte tussen de aankoppelplaat en het dockingstation. Duw het gereedschap naar voren totdat de borgpen naar beneden is geduwd. Hierna kan de rolstoel achterwaarts uit het dockingstation worden gereden.

Zie ook de gebruiksaanwijzingen van Dahl voor montage, gebruik en onderhoud

7.3 De rolstoel als passagiersstoel

Een in een voertuig vastgezette rolstoel biedt niet dezelfde veiligheid als een normale stoel en veiligheidssysteem in dat voertuig. Sunrise Medical adviseert dat de rolstoelgebruiker, waar mogelijk, gebruik maakt van de stoelen en de daarbij behorende veiligheidsgordels van het voertuig. Sunrise Medical erkent dat het niet altijd praktisch is om een rolstoelgebruiker over te brengen naar een gewone stoel in het voertuig. Wanneer de gebruiker vervoerd moet worden in de rolstoel, moet onderstaand advies worden opgevolgd:

⚠ GEVAAR!

- De veiligheid van de rolstoelgebruiker tijdens het transport hangt af van de nauwkeurigheid waarmee de verankeringsbanden worden bevestigd. De persoon/personen die de verankering tot stand brengt/brengen, moet(en) op juiste wijze zijn geïnstrueerd en getraind.
- Verwijder, waar mogelijk, alle hulpmiddelen zoals krukken, losse kussens en werkbladen en berg deze veilig op.
 - i. Verwijderd en afzonderlijk in het voertuig, of
 - ii. veilig vastgemaakt aan de rolstoel, met energie-absorberend materiaal tussen de tafel en de gebruiker.
- Bij het vervoeren van de rolstoel met gebruiker mogen de beweegbare/comfort beensteunen niet in verhoogde stand staan.
- Indien van toepassing: Een gekantelde rugleuning moet in rechte positie worden gezet.
- Indien van toepassing: De hoog/laag verstelling moeten in de laagste positie staan.
- Indien van toepassing: De handremmen moeten goed worden vastgezet.

Instructies voor veiligheidsgordels

⚠ GEVAAR!

- Gebruik een 3-punts veiligheidsgordel om de persoon in de rolstoel veilig te stellen.
- Zowel de heupgordel als de veiligheidsgordel voor het bovenlichaam moet worden gebruikt om de rolstoelgebruiker goed in de rolstoel te laten zitten. Hierdoor wordt het risico verkleind dat hoofd en borst in botsing komen met onderdelen van het voertuig.
- Gordels moeten op de juiste framebuizen worden bevestigd en moeten niet van het lichaam worden afgehouden door rolstoelonderdelen (zoals de armsteunen of de wielen) (Fig. 7.24).
- Gebruik een goed geplaatste hoofdsteen tijdens transport in een rolstoel.
- Bevestigingssysteem voor rolstoelgebruikers, d.w.z. driepuntsgordels, harnassen of posturale steunen (heupgordels of -banden) mogen niet worden gebruikt als bevestigingssysteem voor passagiers in een rijdend voertuig, ongeacht of zij het label ISO 7176-19, ISO 10542-1, SAE J2249 of een ander label dragen. Gebruik in plaats hiervan een gecertificeerd bevestigingssysteem voor rolstoelgebruikers.

Het aanbrengen van de veiligheidsgordel

⚠ GEVAAR!

- Gordels moeten volledig contact maken met de schouder, de borst en het bekken. Heupgordels moeten laag worden geplaatst, dicht bij de hoek dijbeen/buik (waarbij wordt voldaan aan de vereisten zoals gespecificeerd in ISO 7176-19:2008).
- De heupgordel moet laag over de voorzijde van het bekken worden gebruikt zodanig dat de hoek van de heupgordel zich binnen de horizontale voorkeurszone van 30 tot 75 graden bevindt.
 - i. De bovenlichaamgordel moet over de schouder en diagonaal over de borst worden gedragen, zoals op de afbeelding weergegeven, (Fig. 7.25). De gordels moeten zo strak mogelijk worden gebruikt, maar moeten altijd comfortabel zijn voor de gebruiker.
- Veiligheidsriemen mogen niet gedraaid zitten tijdens gebruik.
- Bij het aanbrengen van de veiligheidsgordel moet erop worden gelet dat de gesp van de gordel zodanig wordt geplaatst dat de ontgrendelingsknop tijdens een botsing niet in contact komt met rolstoelonderdelen.

Fig. 7.24

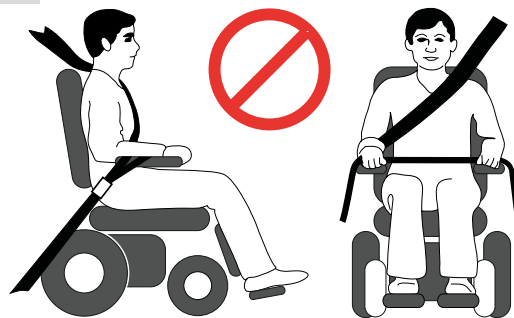
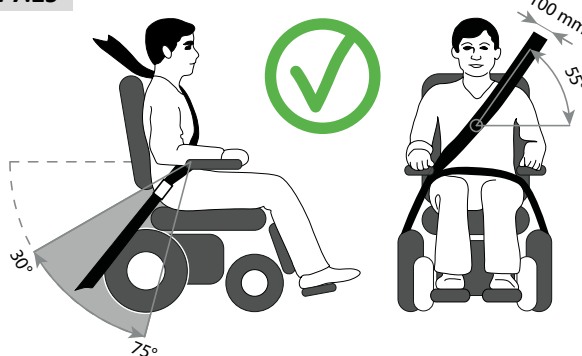


Fig. 7.25



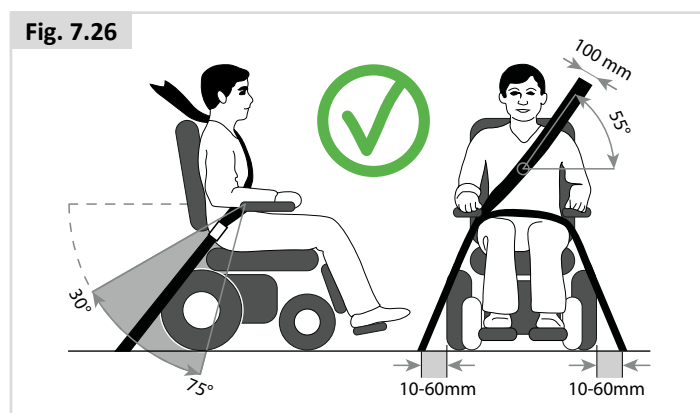
Gebruiker met een gebruikersgewicht < 22 kg.

Wanneer de gebruiker die wordt vervoerd een kind is dat minder dan 22kg weegt en het betrokken voertuig minder dan acht (8) inzittenden heeft, wordt het aanbevolen dat het kind wordt overgeplaatst naar een kinderzitje met veiligheidsgordels dat voldoet aan de UN-ECE R44 regelgeving.

Dit type gordelsysteem biedt een doelmatiger gordelsysteem dan het conventionele 3-puntsgordelsysteem. Daarbij bieden sommige kinderzitjes ook extra ondersteunende elementen waardoor de houding van het kind wanneer het zit, beter wordt ondersteund.

In sommige omstandigheden kunnen de ouders of zorgverleners overwegen om het kind in de rolstoel te laten zitten tijdens transport, als de rolstoelinrichting het kind veel lichaamsondersteuning en comfort biedt.

In dergelijke omstandigheden adviseren we een risicobeoordeling te laten uitvoeren door uw medische deskundige of andere relevante personen die over de vereiste kennis beschikken.



Uitsluitend voor gebruik met het Dahl dockingsysteem (Fig. 7.26)

Wanneer een rolstoel met het Dahl dockingsysteem wordt gebruikt, moeten de verankeringspunten op de vloer voor het vastzetten van de rolstoel aan beide zijden ongeveer 10-60 mm buiten de wielen worden geplaatst.

7.4 Speciale vereisten ten aanzien van transport

Gebruik van uw rolstoel in de trein.

Neem voordat u op reis gaat, contact op met de treinmaatschappij. Zij kunnen u informatie verschaffen over speciale eisen/aanwijzingen. We adviseren u het volgende te controleren:

- Is er een speciale en geschikte 'rolstoelruimte' in de trein voor rolstoelgebruikers (met voldoende ruimte om te kunnen manoeuvreren)?
- Is er op het perron een speciale of aangewezen 'rolstoelruimte' voor rolstoelgebruikers (met voldoende ruimte om te kunnen manoeuvreren)?
- Zijn er geschikte middelen (bijv. een rijplaat) beschikbaar om in de treinwagon en de speciale 'rolstoelruimte' te komen?
- Is het middel om in de trein te komen, toereikend voor het totale gewicht van de rolstoel en de gebruiker?
- Verzekert u ervan dat de helling van dit toegangsmiddel niet groter is dan de dynamische veilige helling. (Zie hoofdstuk 10)
- Obstaten of drempels mogen niet hoger zijn dan de maximale stoephoogte die uw rolstoel kan overwinnen. (Zie hoofdstuk 10)

De meeste treinexploitanten zullen u assisteren mits u vooraf afspraken hebt gemaakt. We adviseren u uw gebruikershandleiding bij de hand te hebben wanneer u uw reis plant en contact met de treinexploitant opneemt.

⚠ WAARSCHUWING!

- Wanneer u op een boot of in een trein rijdt, zorg er dan voor dat u een rijprofiel 1 gebruikt. Dit is het standaardprofiel waarin de GYRO is gedeactiveerd. De voortdurende beweging van een boot of trein verstoort het GYRO-systeem en de rij-kenmerken van uw rolstoel.

Transport van de rolstoel als bagage.

De delen van de rolstoel die gemakkelijk losgemaakt kunnen worden, moeten voor transport van de rolstoel worden verwijderd. Berg deze onderdelen goed op, bijv.

- A. Verwijder de zitting (📖 Zitsysteem).
 - B. Verwijder de beensteunen (📖 Zitsysteem).
 - C. Verwijder de armsteunen (📖 Zitsysteem).
 - D. Vouw de rugleuning naar beneden (📖 Zitsysteem).
- Zorg ervoor dat onderdelen die los kunnen raken, goed vastgemaakt zijn aan uw rolstoel. Of verpak ze afzonderlijk met naamstickers, zodat ze tijdens het laden en lossen niet verloren gaan.
 - De rolstoel mag over de weg, per spoor, over zee of door de lucht worden vervoerd daar de meegeleverde accu's voldoen aan de IATA-regelgeving. Als de accu's zijn vervangen door accu's die niet door IATA zijn goedgekeurd, dienen de accu's te worden vervangen voordat de rolstoel in een vliegtuig wordt vervoerd. Uw dealer kan accu's leveren die door de IATA goedgekeurd zijn.
 - Neem voordat u op reis gaat contact op met de maatschappij die het transport verzorgt. De reisorganisatie kan u informatie verschaffen over speciale eisen/aanwijzingen.
 - Informatie over de afmetingen en het gewicht van de rolstoel vindt u hoofdstuk 10.
 - Informatie over de accu's in uw rolstoel vindt u in hoofdstuk 6.
 - Zorg ervoor dat onderdelen die los kunnen raken, goed vastgemaakt zijn aan uw rolstoel. Of verpak ze afzonderlijk met naamstickers, zodat ze tijdens het laden en lossen niet verloren gaan.
 - Neem deze gebruikershandleiding, de handleiding voor het zitsysteem (& Zitsysteem) en de gebruikershandleiding voor de bediening (& Bediening) mee. Het vervoersbedrijf zal de volgende informatie willen inzien:
 - i. Het duwen van de rolstoel (hoofdstuk 5.8).
 - ii. Vergrendelen/ontgrendelen van de bediening: 📖 Bediening..
 - iii. Hoe de accu's te ontkoppelen (hoofdstuk 6.7).
 - iv. Hoe de aandrijving te ontkoppelen (hoofdstuk 5.8).
 - De rolstoel vervoeren, (Hoofdstuk 7.0).
 - De instructies voor middellange en langdurige opslag vindt u in hoofdstuk 8.5).

7.5 Algemene waarschuwingen voor transport



WAARSCHUWING!

- Er mag niets worden gewijzigd aan of vervangen van de constructieve elementen of delen van het frame, of aan de verankeringspunten/bevestigingspunten op de rolstoel voor vervoer in een auto, zonder voorafgaand overleg met Sunrise Medical,
- Indien de rolstoel, op welke wijze dan ook, betrokken is geweest bij een botsing terwijl de rolstoel zich in de auto bevond, moet de rolstoel, voordat hij weer wordt gebruikt, door een door Sunrise Medical erkende dealer/onderhoudsmonteur worden geïnspecteerd.

8.0 Onderhoud en reiniging

De levensduur van de rolstoel is afhankelijk van goed onderhoud.

Voor informatie over specifieke instellingen, onderhoud en reparaties kunt u contact opnemen met uw erkende Sunrise dealer. Zorg ervoor dat u altijd het model, het productiejaar en het identificatienummer noemt wanneer u contact opneemt met uw dealer. (Deze informatie staat vermeld op het identificatieplaatje op de rolstoel.)

OPGELET!

De rolstoel moet jaarlijks, of bij intensief gebruik halfjaarlijks, door een erkende Sunrise dealer worden onderhouden. Neem voor een overzicht van erkende dealers in uw omgeving contact op met de Sunrise Medical klantenservice. Op de binnenzijde van de voorpagina van dit boekje staan de contactgegevens van uw lokale Sunrise Medical servicecentrum vermeld. Op de achterkant staan nationale en internationale websites vermeld.

8.1 Onderhoud

WAARSCHUWING!

- Losse bevestigingen moeten opnieuw volgens de installatie-instructies worden vastgedraaid. Gebruik (tenzij anders vermeld) de onderstaande tabel voor de benodigde draaikracht.

Gids vereiste draaikracht (torques)	
M4	3,0 Nm
M5	5,9 Nm
M6	10 Nm
M8	25 Nm
M10	48 Nm
M12	84 Nm

Opmerking: Het is noodzakelijk om hierbij een momentsleutel te gebruiken.

- Borstgordels dienen te worden vervangen bij de eerste slijtageverschijnselen en bij beschadiging.
- Wanneer er een los of kapot onderdeel wordt aangetroffen, gebruik de scootmobiel dan niet langer en neem contact op met uw erkende Sunrise Medical leverancier voor vervanging.
- Controleer of alle Velcro klittenbandbeveiligingen goed vastgeplakt zitten nadat ze op elkaar zijn gedrukt.
- Zorg ervoor dat vuil, zoals pluizen, haar en dergelijke van het klittenband wordt verwijderd. Hierdoor kan de plakkracht van het klittenband afnemen.

WAARSCHUWING!

- Als u twijfelt over de functievereisten van uw rolstoel, kunt u contact opnemen met uw erkende Sunrise Medical dealer.
- Controleer altijd eerst of de scootmobiel correct functioneert nadat er onderhoud of reparaties hebben plaatsgevonden.
- Bij vervanging van bevestigingsmateriaal moet altijd van exact dezelfde producten gebruikgemaakt worden en moeten dezelfde lengte, de trekkracht en materialen worden gebruikt.
- Zorg ervoor dat bij vervanging van zelfborgende moeren, of moeren/bouten bevestigd met een schroefdraadborgingsmiddel, weer een gepast schroefdraadborgingsmiddel op de bevestiging wordt aangebracht.

Dagelijkse controle

Controleer dagelijks, voor gebruik van de rolstoel, de onderdelen zoals vermeld op de checklist in hoofdstuk 5.1.

Wekelijkse controles

Controleer wekelijks, voor gebruik van de rolstoel, de onderdelen zoals hieronder vermeld.

Controleer de parkeerrem:

Deze test moet worden uitgevoerd op een vlakke vloer met minstens één meter vrije ruimte rond de stoel.

- Schakel het bedieningssysteem in.
- Controleer of de accuspanningsmeter aanstaat, of langzaam knippert, na één seconde.
- Duw de joystick langzaam naar voren totdat u hoort dat de parkeerremmen functioneren.
- De stoel kan wellicht in beweging komen.
- Laat de joystick meteen los. U moet binnen enkele seconden horen hoe de parkeerrem in werking treedt (klik).
- Herhaal de test nog drie maal, waarbij u de joystick langzaam naar achteren, links en rechts duwt.

Controleer de aansluitingen & kabels:

- Controleer of alle verbindingstukken goed zijn aangesloten.
- Controleer alle kabels en verbindingstukken op mogelijke beschadigingen.

Controleer de bediening:

- Controleer het dunne rubberen omhulsel aan de onderkant van de joystickhendel op schade en scheuren. Controleer dit alleen visueel, kom er niet aan.
- Controleer of alle onderdelen van het bedieningssysteem goed vastgemaakt zijn. Draai veiligheidsschroeven niet overmatig vast aan.

Controleer de bediening:

- Schakel de handbediening in - Gaan de lampjes knipperen? Dit duidt op een storing in het elektrische circuit. Zie hoofdstuk 9 voor eenvoudige probleemoplossing.
- Probeer alle elektrische accessoires, zoals verlichting en richtingaanwijzers (indien aanwezig) te controleren of deze correct functioneren.
- Zet de zitting in verhoogde positie en controleer of de rolstoel nu overgaat in "kruipmode" wanneer u rijdt.
- Probeer alle rijprofielen om te controleren of de rolstoel hetzelfde functioneert als voor het onderhoud of de reparatie.

WAARSCHUWING!

- Als u twijfelt over de functievereisten van uw rolstoel, kunt u contact opnemen met uw erkende Sunrise Medical dealer.
- Controleer altijd eerst of de scooter correct functioneert nadat er onderhoud of reparaties hebben plaatsgevonden.
- Een volledige controle, veiligheidscontrole en servicebeurt dient uitgevoerd te worden door een erkende Sunrise Medical dealer.
- Bij vervanging van bevestigingsmateriaal moet altijd van exact dezelfde producten gebruikgemaakt worden en moeten dezelfde lengte, de trekkracht en materialen worden gebruikt.
- Zorg ervoor dat bij vervanging van zelfborgende moeren, of moeren/bouten bevestigd met een schroefdraadborgingsmiddel, weer een gepast schroefdraadborgingsmiddel op de bevestiging wordt aangebracht.
- Controleer of alle Velcro klittenbandbeveiligingen goed vastgeplakt zitten nadat ze op elkaar zijn gedrukt.
- Zorg ervoor dat vuil, zoals pluizen, haar en dergelijke van het klittenband wordt verwijderd. Hierdoor kan de plakkracht van het klittenband afnemen.

Maandelijks controle:

Voer maandelijks, voor gebruik van de rolstoel, de controle uit zoals hieronder wordt vermeld.

- Alle bevestigingen maandelijks te controleren op slijtage, zoals losse bouten of kapotte onderdelen.
- Controleer maandelijks alle banden op rafels, gescheurde naden of andere aanwijzingen van overmatige slijtage. Gebruik de borstgordel niet indien slijtage wordt geconstateerd.

8.2 Onderhoud banden en bandenspanning

8.2.1 Bandendruk

OPGELET!

Als uw rolstoel is uitgerust met luchtbanden, is het van belang dat u geregeld de bandenspanning controleert en de banden op slijtage controleert.

In hoofdstuk 8.3 staan de maximale bandenspanningen vermeld. Kijk bij twijfel naar de markering op de zijkant van de rolstoelband voor richtlijnen.

OPMERKING: Het is belangrijk dat de aandrijfwielen als paar op gelijke spanning zijn. Dit geldt ook voor de achterwielen. De meegeleverde pomp biedt de meest veilige methode om de banden op te pompen. De bandenspanning kan worden gecontroleerd met een luchtdrukmeter in een garage of benzinstation.

GEVAAR!

- Pomp de banden niet harder op dan de maximaal toegestane druk.

8.2.2 Slijtage banden

Wanneer de banden op slijtage worden gecontroleerd, kijk dan vooral naar schuurplekken, inkepingen en een verminderd profiel. De banden moeten worden vervangen als het profiel niet meer op het hele oppervlakte van het wiel zichtbaar is. (Fig. 8.1).



8.2.3 Reparatie aandrijf wiel

Om het wiel/de band te verwijderen:

WAARSCHUWING!

Controleer of de rolstoelcontroller is uitgeschakeld voordat u met deze procedure begint.

Zie afbeeldingen (Fig. 8.2 - 8.10).

- Verwijder de gekleurde ring.
- Gebruik een 16 mm dop om de 3 slotbouten los te maken (Fig. 8.2).
- Til de basis/accubehuizing op en ondersteun deze met blokken, (Fig. 8.3).
- Verwijder de 3 bouten en trek het wiel van de naaf af.
- Verwijder de ventieldop en laat de lucht ontsnappen door rustig met een kleine schroevendraaier op het ventiel te drukken, (Fig. 8.4).
- Er bevinden zich 6 bouten in de velg die losgedraaid/vastgedraaid moeten worden in de volgorde zoals getoond, (Fig. 8.5).
- Gebruik een 5,0mm inbussleutel om deze moeren los/vast te draaien. (Fig. 8.5).
- Til de binnenring van het wiel af (Fig. 8.6).
- Til de band en de binnenband uit de buitenste rand, (Fig. 8.7).
- Houd de binnenband voorzichtig vast, achter het ventiel.
- Haal de binnenband voorzichtig uit de band, (Fig. 8.8).
- Controleer of alle onderdelen schoon zijn voordat u alles weer in elkaar zet, (Fig. 8.9).

Terugplaatsen

- Plaats de binnenband in de band en laat de band op de buitenring rusten.
- Leg daarbij het ventiel op de daarvoor bestemde uitsparing in de rand.
- Daarbij moet het ventiel naar buiten wijzen.
- Plaats de binnenring over de band, binnenband en buitenring.
- Plaats daarbij de uitsparing voor het ventiel over het ventiel. De uitsparingen in de binnen- en buitenring en het ventiel moeten overeenkomen, (Fig. 8.10).
- Controleer of de moeren in lijn zijn op beide ringen.
- Draai de moeren vast in de eerder getoonde volgorde; let op dat u daarbij niet in de binnenband steekt (Fig. 8.5).
- Pomp de band nu langzaam op tot de druk die is aangegeven in hoofdstuk 8.1.1.
- Plaats het wiel terug op de motoras en zet het goed vast met de kopbouten, met een draaikracht van 34 Nm.

Voor massieve banden geldt dezelfde volgorde, maar kunt u de informatie over de binnenband en het ventiel overslaan.

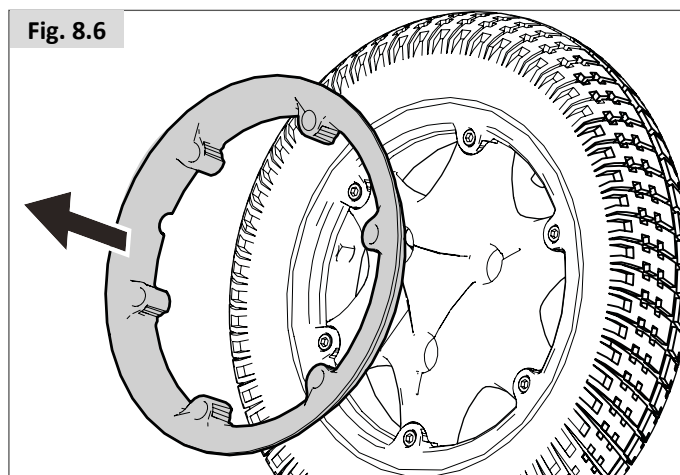
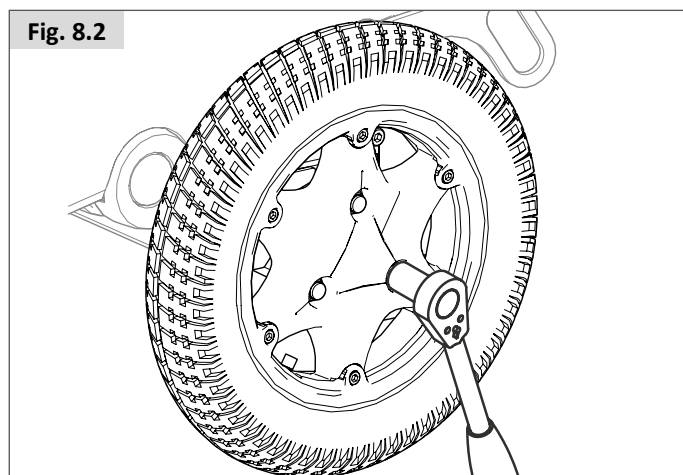
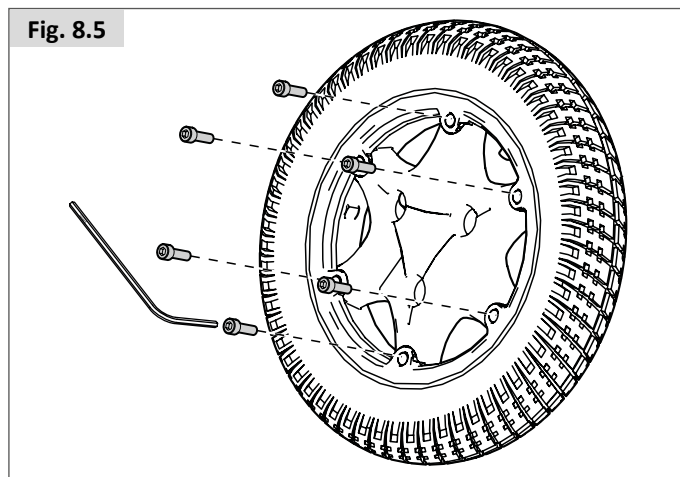
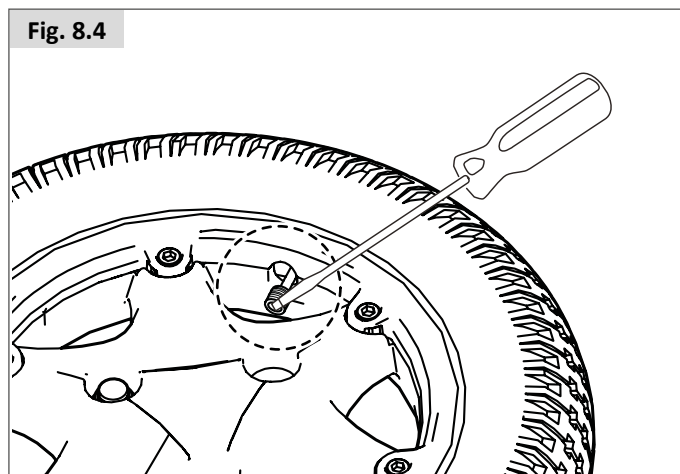
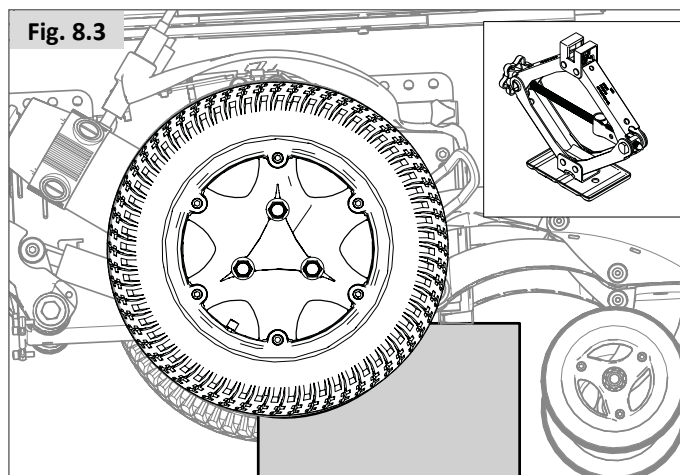
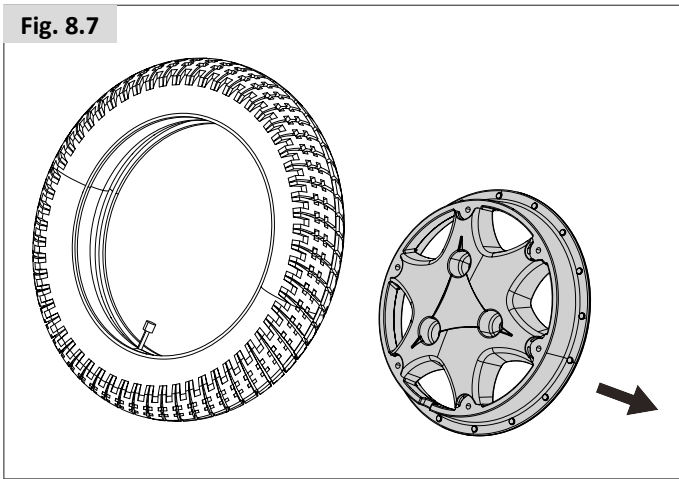
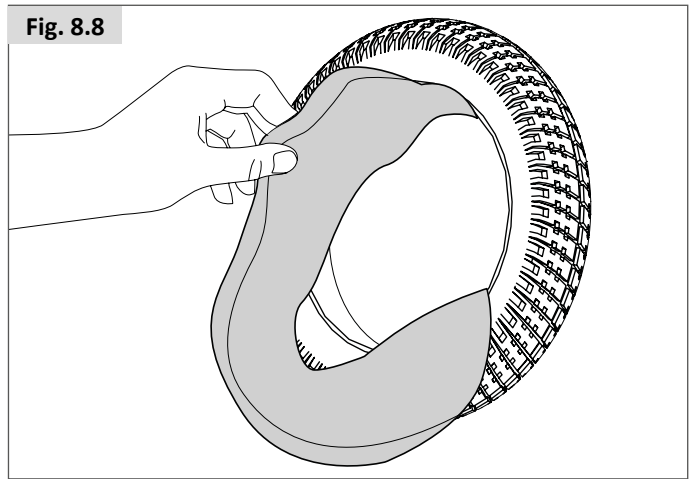
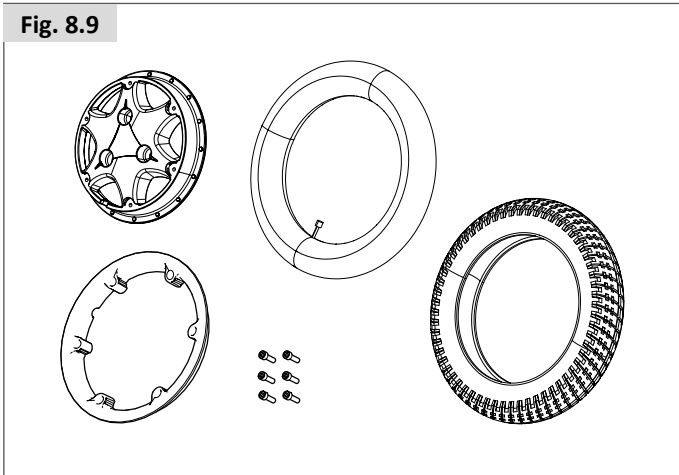
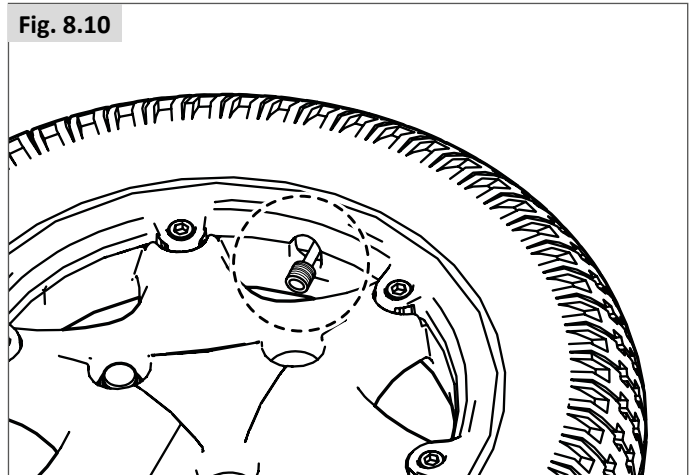


Fig. 8.7**Fig. 8.8****Fig. 8.9****Fig. 8.10**

8.2.4 Verwijderen van de zwenkwielen (MWA-basis) (Fig. 8.11).

- Gebruik een moer- of dopsleutel 17,0 mm om de asbout los te maken.
- Verwijder de nyloc moer.

Verwijderen van de zwenkwielen (V/A/A basis) (Fig. 8.12)

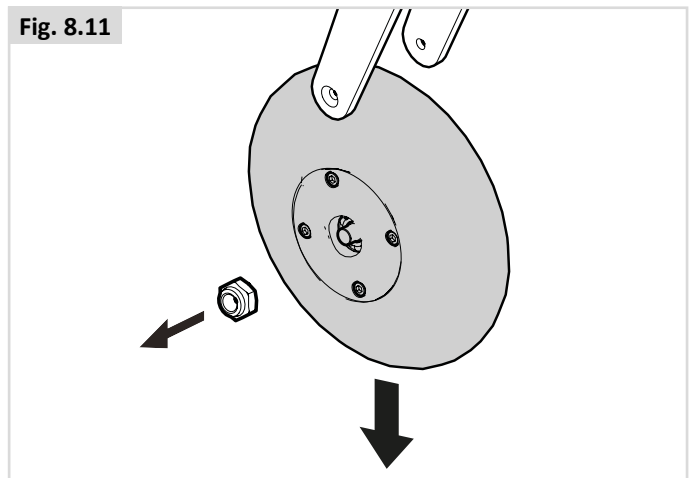
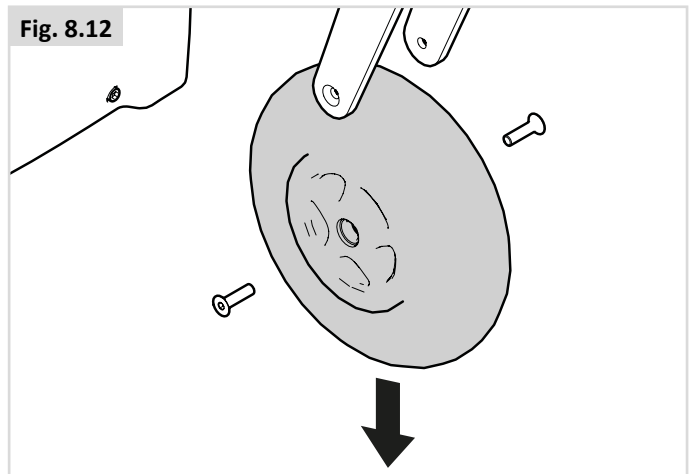
- Gebruik een 13 mm moersleutel en een 5 mm inbussleutel om de schroeven los te maken.
- Verwijder beide schroeven


Opnieuw plaatsen:

Duw de bout nooit met grote kracht door de ring bij het monteren. Beweeg het wiel zachtjes heen en weer tot de bout er doorheen gaat en draai dan vast met 14Nm.

! WAARSCHUWING!

Gebruik altijd nieuwe nyloc bouten bij het herplaatsen van het wiel.

Fig. 8.11**Fig. 8.12**

Onderhouds- en inspectieschema	Dagelijks*	Wekelijks	Maandelijks	Jaarlijks
Dagelijkse controle zoals beschreven in hoofdstuk 5.1	*			
Wekelijkse controle zoals beschreven in hoofdstuk 8.1		*		
Reinig bekleding van rolstoel  Zitsysteem		*		
Maandelijks controle zoals beschreven in hoofdstuk 8.1			*	
Een volledige controle, veiligheidscontrole en servicebeurt dient uitgevoerd te worden door een erkende Sunrise Medical dealer.				*

8.3 Onderhoud van wielen en banden

Om ervoor te zorgen dat uw rolstoel goed functioneert, is het van essentieel belang dat de banden op de juiste spanning worden gehouden. Op de zijkant van de band staat de juiste bandenspanning vermeld.

Te zachte banden hebben een ongunstig effect op de prestaties van de rolstoel. Het rijden met de rolstoel kost dan meer energie, waardoor er meer van de accu's wordt gevraagd. Ook slijten zachte banden sneller.

Wanneer de banden op slijtage worden gecontroleerd, kijk dan vooral naar schuurplekken, inkepingen en een verminderd profiel. De banden moeten worden vervangen wanneer het profiel niet meer op het hele oppervlakte van het wiel te zien is.

Zwenkwiel		Max. bandendruk.	
6"	Q500 M	Massieve wielen	
9" (2.80/2.50-4)	Q500 F Q500 R Q500 H	Max. 2,4 bar	35 PSI
10" (3.00-4)	Q500 F Q500 R	Max. 2,4 bar	35 PSI
Aandrijfwiel		Max. bandendruk.	
13" (2.50-8)	Q500 M Q500 F Q500 R Q500 H	Max. 2,4 bar	Max. 35 PSI
14" (3.00-8)	Q500 F Q500 R Q500 H	Max. 3,5 bar	Max. 50 PSI
4	Q500 H	Massieve wielen (Zwenkwiel achter)	

GEVAAR!

- Pomp de banden niet harder op dan de maximaal toegestane druk.
- Gebruik nooit de luchtpomp bij een benzinestation of garage.
- De banden moeten volledig leeg zijn voordat ze gerepareerd kunnen worden.

8.4 Onderhoud van verlichting:

GEVAAR!

Het onderhoud van verlichting en knipperlichten is een taak waarbij de veiligheid in geding kan komen. Als er sprake is van een storing in de verlichting en/of richtingaanwijzers van uw rolstoel, neem dan contact op met uw erkende Sunrise Medical dealer.

Alle verlichting en richtingaanwijzers bestaan uit de modernste LED-verlichting met laag energieverbruik; het zijn units die geen onderhoud vereisen. Er worden geen gloeilampen gebruikt. De units zijn zeer betrouwbaar; hierdoor is het onwaarschijnlijk dat ze, bij normaal gebruik, storing vertonen of het niet meer doen. Als een lamp het niet meer doet (mogelijk als gevolg van een botsing), moet de hele lichtunit die beschadigd is, worden vervangen. De afzonderlijke LED-lampjes kunnen niet worden vervangen.

OPGELET!

- Het wordt aanbevolen uitsluitend door Sunrise Medical erkende onderdelen te gebruiken.
- Alle verlichtingscircuits zijn elektronisch beveiligd. Wanneer er kortsluiting ontstaat, wordt de stroomtoevoer tot een veilig niveau beperkt. Wanneer de storing is opgeheven, wordt het systeem automatisch hersteld door middel van een "reset".

8.5 Reiniging en desinfectie

De rolstoel moet een maal per week met een vochtige, maar niet natte, doek worden afgenomen. Stof en vuil dat zich rond de motoren heeft verzameld, moet worden weggeblazen of weggeveegd.

OPGELET!

Zorg ervoor dat u alle onderdelen van uw rolstoel afdroogt als deze nat of vochtig zijn geworden door het schoonmaken, of wanneer de rolstoel is gebruikt in een natte of vochtige atmosfeer.

GEVAAR!

Als de rolstoel door meerdere personen wordt gebruikt, is het belangrijk dat de stoel grondig wordt gereinigd om kruisbesmetting te voorkomen.

Hygiënemaatregelen bij hergebruik:

Voordat de rolstoel door een nieuwe gebruiker in gebruik genomen wordt, moet de stoel zorgvuldig worden voorbereid. Alle oppervlaktes waarmee de gebruiker in aanraking komt, moeten behandeld worden met een desinfecterende spray. Gebruik voor het reinigen een geschikt desinfectiemiddel voor snelle, op alcohol gebaseerde ontsmetting van medische producten en medische hulpmiddelen.

Houd u aan de gebruiksaanwijzing van de fabrikant van het desinfecterende middel.

Over het algemeen kan op de naden van de rolstoel geen volledige ontsmetting worden gegarandeerd. We adviseren zitting- en rugbanden (slings) te verwijderen volgens de voor u geldende wetgeving inzake infectiebescherming om microbacteriële bestemming met actieve agentia te voorkomen.

OPGELET!

- Gebruik geen oplosmiddelen, bleekmiddelen, schuurmiddelen, synthetische wasmiddelen, waspoetsmiddel of spuitbussen.
- Ontsmettingsmiddelen kunnen verdund worden volgens instructie van de fabrikant.
- Spoel de oppervlaktes daarna goed af met schoon water en droog ze zorgvuldig.

WAARSCHUWING!

- Lees altijd eerst het etiket van professionele reinigingsmiddelen of schoonmaakmiddelen voor huishoudelijk gebruik.
- Volg de gebruiksaanwijzing nauwkeurig op.

Reiniging van de bediening: Bediening

Wanneer het bedieningssysteem van uw rolstoel vuil is geworden, kan het worden schoongemaakt met een vochtige doek met daarop een verdund desinfecterend middel.

GEVAAR!

Belangrijk: Als de rolstoel door meerdere personen wordt gebruikt, dienen de instructies betreffende reiniging en desinfectie nauwkeurig te worden opgevolgd om kruisbesmetting te voorkomen.

8.6 Middellange tot lange opslag:

Wanneer u uw rolstoel voor langere tijd (langer dan één week) niet gebruikt, volg dan deze eenvoudige aanwijzingen op:

- Laad de rolstoel volledig op (minstens 24 uur).
- Koppel de oplader af.
- Ontkoppel de accu's.

WAARSCHUWING!

Zet uw rolstoel nooit voor langere tijd:

- Buiten,
- in de volle zon (plastic onderdelen kunnen verkleuren),
- in de nabijheid van een warmtebron,
- in een vochtige omgeving,
- in een koude omgeving,
- met de accu's/accubezuiging aangekoppeld (zelfs als de controller of bediening is uitgeschakeld).

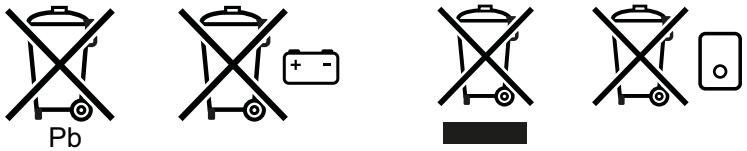
Door alle bovengenoemde dingen te vermijden, wordt het ontladen van de 'deep cycle' accu geminimaliseerd, waardoor de levensduur van de accu wordt verlengd.

Wanneer u van plan bent de rolstoel weer te gebruiken, sluit dan de accu's/accubezuiging weer aan en laadt de rolstoel gedurende minstens 24 uur voor gebruik weer op.

9.0 Verwijdering

Het hieronder vermelde symbool betekent dat uw product aan het einde van zijn levensduur in overeenstemming met lokale wet- en regelgeving afgevoerd dient te worden, gescheiden van huishoudelijk afval. Wanneer dit product niet langer gebruikt kan worden, breng het dan naar het door de plaatselijke overheid aangewezen plaatselijke afvalverzamelpunt. Gescheiden afvalverwerking en recycling van uw product ondersteunt het behoud van grondstoffen en er wordt gegarandeerd dat het op een milieuvriendelijke wijze wordt gerecycled.

Controleer, voordat u in overeenstemming met bovenstaande uw product voor afvalverwerking aanbiedt, of u de rechtmatige eigenaar bent van het product.



Hieronder staan de materialen omschreven zoals deze worden gebruikt in de rolstoel, met betrekking tot de verwerking tot afval en recycling van de rolstoel en zijn verpakking.

Mogelijk kent uw land of woonplaats specifieke wetgeving; neem deze wet- of regelgeving in overweging, wanneer u de rolstoel naar de afvalverwerking wilt brengen. (Mogelijk moet de rolstoel gereinigd of gedesinfecteerd worden alvorens deze naar de afvalverwerking wordt gebracht.)

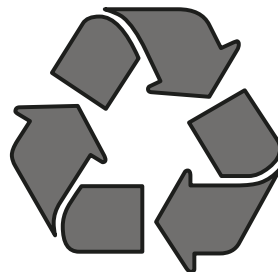
Aluminium: Zwenkwielvork, wielen, zijkant van het chassis.

Staal: Bevestigingspunten, quick release assen

Plastic: Hendels, buisstoppen, zwenkwielen, wiel/banden.


Verpakking: Plastic zakken gemaakt van zacht polyethyleen, karton

Afvalverwerking of recycling dient plaats te vinden via een erkende agent, afvalverwerking met vergunningen. Als alternatief kunt u uw handbike ook terugbrengen naar uw dealer voor verdere afvalverwerking.



10.0 Mogelijke problemen


Als de rolstoel niet naar behoren functioneert, controleer dan de volgende punten:

- Controleer of de accu's opgeladen zijn.
- Zet de rolstoel uit en dan weer aan.
- Controleer of alle accustekkers goed op de juiste plaats vastzitten.
- Controleer of de vrijloophendel in de positie RIJDEN staat.
- Controleer de positie van de snelheidsregelaar.
- Controleer of het bedieningssysteem niet vergrendeld is  Bediening

Als het probleem dan nog niet is opgelost:

-  Bediening:

11.0 Technische specificaties: Toepasselijke normen/standaarden

 Dit product voldoet aan de regelgeving en richtlijnen voor medische hulpmiddelen en is voorzien van een CE-symbool. Het product voldoet aan de onderstaande eisen en standaarden. Deze zijn door onafhankelijke instituties gecontroleerd.

Standaard	Definitie/beschrijving	Gewicht testdummy	
MDR - Verordening medisch hulpmiddel (EU) 2017/745	Toepasselijk zoals vermeld in Bijlage 1		
EN 12182: 2012 Klasse B	Ondersteunende producten voor mensen met een handicap - Algemene vereisten en testmethodes	SEDEO Pro	SEDEO Lite
	Q500 M Q500 F Q500 R Q500 H	160 kg	136 kg
EN 12184: 2014 Klasse B	Elektrisch aangedreven rolstoelen, scootmobielen en hun opladers - Vereisten en testmethodes	SEDEO Pro	SEDEO Lite
	Q500 M Q500 F Q500 R Q500 H	160 kg	136 kg
ISO 7176-8: 2014	Vereisten en testmethodes voor botskrachten, statische krachten, en materiaalmoetheid	NVT	NVT
ISO 7176-9: 2009	Klimaattesten voor elektrisch aangedreven rolstoelen	NVT	NVT
ISO 7176-14: 2008	Vereisten en testmethodes voor bedieningssytemen voor elektrisch aangedreven rolstoelen	NVT	NVT
ISO 7176-16: 2012	Vereisten voor ontstekingsweerstand van beklede delen	NVT	NVT
ISO 7176-19: 2008	Rolstoelen - Deel 19: Mobiliteitshulpmiddelen op wielen voor gebruik als stoelen in gemotoriseerde voertuigen: De Q-serie voldoet aan de crashtestvereisten zoals omschreven in ISO 7176-19	SEDEO Pro	SEDEO Lite
	Q500 M Q500 F Q500 R Q500 H	104 kg	75 kg

Model	Q500 serie		
Type/configuratie Midwielaandrijving	Q500 M		
Max. gebruikersgewicht			
In combinatie met Sedeo Lite	136 kg	300 lbs.	
In combinatie met Sedeo Pro	160 kg	350 lbs.	
EN12184 klasse:	B		

Beschrijving	Waarden metrieke stelsel		Waarden imperiale stelsel & alternatief	
	Minimum	Maximum	Minimum	Maximum
Totale lengte (inclusief beensteunen) Midwielaandrijving				
Q500 M Sedeo Lite Centrale beensteun	1100 mm	1130 mm	43,3"	51,2"
Q500 M Sedeo Pro Wegzwenkbare beensteunen	1280 mm	1280 mm	50,4"	50,4"
Totale breedte				
Q500 M Aandrijfwielen 13"	610 mm	620 mm	24,0"	24,4"
Q500 M Aandrijfwielen 14"	635 mm		25,0"	
Totaal gewicht Basisuitvoering, met accu's				
Q500 M Sedeo Lite	130 kg	138 kg	286,6 lbs.	304,2 lbs.
Q500 M Sedeo Pro	130 kg	138 kg	286,6 lbs.	304,2 lbs.
Invloed totale gewicht Accu's				
50 Ah AGM (C20) (Set van 2)	27 kg		+ 59,5 lbs.	
60 Ah AGM (C20) (Set van 2)	43 kg		+ 94,8 lbs.	
80 Ah AGM (C20) (Set van 2)	50,2 kg		+ 110,7 lbs.	
Transportgewicht van het zwaarste onderdeel	24,2 kg		53,3 lbs.	
Dynamische stabiliteit: Nominale helling Q500 M Midwielaandrijving	6°		10,5 %	
Min. remafstand bij maximale snelheid Q500 M	3400 mm		133,9"	
Statische stabiliteit				
Q500 M Sedeo Lite Naar beneden/omhoog/zijwaarts	9°/9°/9°	13°/15°/13°	15,8%/15,8%/15,8%	23%/26%/23%
Q500 M Sedeo Pro Naar beneden/omhoog/zijwaarts	9°/9°/9°	13°/15°/13°	15,8%/15,8%/15,8%	23%/26%/23%
Actieradius <i>NB: De onderstaande factoren hebben een negatieve invloed op de actieradius: Obstakels, ruig terrein, rijden op hellingen, blootstelling aan temperaturen onder het vriespunt en veelvuldig gebruik van de elektrisch aangedreven zitopties.</i>				
6 km/u 80 Ah accu's Q500 M	32,5 km	40,0 km	32 km (20,2 mijl)	39,5 km (24,9 mijl)
8 km/u 80 Ah accu's Q500 M	30,0 km	37,5 km	29,7 km (18,6 mijl)	37 km (23,3 mijl)
10 km/u 80 Ah accu's Q500 M	27,5 km	35,0 km	27 km (17,1 mijl)	34,7 km (21,7 mijl)
12,5 km/u 80 Ah accu's Q500 M	25,0 km	32,5 km	24,8 km (15,5 mijl)	32 km (20,2 mijl)
Klimvermogen bij obstakels Q500 M Midwielaandrijving	50 mm		2,0"	
Max. voorwaartse snelheid Q500 M Midwielaandrijving	6 km/u	12,5 km/u	6,4 km/u	12,4 km/u
Draaistraal Q500 M Midwielaandrijving	560 mm	630 mm	22,0"	24,8"
Draairuimte / achterwaartse breedte Q500 M Midwielaandrijving	1100 mm		43,0"	
Ruimte vanaf de grond Q500 M Midwielaandrijving	90 mm		3,5"	

Beschrijving	Waarden metrieke stelsel		Waarden imperiale stelsel & alternatief	
	Minimum	Maximum	Minimum	Maximum
Maximale afmetingen accu (l x b x h).	260 x 172 x 210 mm		10,2 x 6,8 x 8,3"	
Batterijvermogen	50 Ah / 60 Ah / 80 Ah		50 Ah / 60 Ah / 80 Ah	
Maximaal toegestane laadvoltage	24 V		24 V	
Maximaal toegestane laadstroom	12 A (RMS)		12 A (RMS)	
Type aansluiting:	📖 Gebruikershandleiding van de bediening		📖 Gebruikershandleiding van de bediening	
Isolatie	Klasse 2 dubbel geïsoleerd		Klasse 2 dubbel geïsoleerd	

Model	Q500 serie	
Type/configuratie Voorwielaandrijving	Q500 F	
Max. gebruikersgewicht		
In combinatie met Sedeo Lite	136 kg	300 lbs.
In combinatie met Sedeo Pro	160 kg	350 lbs.
EN12184 klasse:	B	

Beschrijving	Waarden metrieke stelsel		Waarden imperiale stelsel & alternatief	
	Minimum	Maximum	Minimum	Maximum
Totale lengte (inclusief beensteunen) Voorwielaandrijving				
Q500 F Sedeo Lite Centrale beensteun	1280 mm	1340 mm	50,4"	52,8"
Q500 F Sedeo Pro Centrale beensteun	1280 mm	1340 mm	50,4"	52,8"
Totale breedte				
Q500 F Aandrijfwielen 13"	615 mm		24,2"	
Q500 F Aandrijfwielen 14"	640 mm		25,2"	
Totaal gewicht Basisuitvoering, met accu's				
Q500 F Sedeo Lite	130 kg	135 kg	286,6 lbs.	297,6 lbs.
Q500 F Sedeo Pro + biomechanische rughoekverstelling	133 kg	138 kg	293 lbs.	304 lbs.
Invloed totale gewicht Accu's				
50 Ah AGM (C20) (Set van 2)	27 kg		+ 59,5 lbs.	
60 Ah AGM (C20) (Set van 2)	43 kg		+ 94,8 lbs.	
80 Ah AGM (C20) (Set van 2)	48,4 kg		+ 106,7 lbs.	
Transportgewicht van het zwaarste onderdeel	24,2 kg		53,4 lbs.	
Dynamische stabiliteit: Nominale helling Q500 F Voorwielaandrijving	6°		10,5 %	
Min. remafstand bij maximale snelheid Q500 F	3400 mm		133,9"	
Statische stabiliteit				
Q500 F Sedeo Lite Naar beneden/omhoog/zijwaarts	9°/9°/9°	15°/15°/12°	15,8%/15,8%/15,8%	26%/26%/21,2%
Q500 F Sedeo Pro Naar beneden/omhoog/zijwaarts	9°/9°/9°	15°/15°/12°	15,8%/15,8%/15,8%	26%/26%/21,2%
Actieradius <i>NB: De onderstaande factoren hebben een negatieve invloed op de actieradius: Obstakels, ruig terrein, rijden op hellingen, blootstelling aan temperaturen onder het vriespunt en veelvuldig gebruik van de elektrisch aangedreven zitopties.</i>				
6 km/u 80 Ah accu's Q500 F	32,5 km	40,0 km	32 km (20,2 mijl)	39,5 km (24,9 mijl)
8 km/u 80 Ah accu's Q500 F	30,0 km	37,5 km	29,7 km (18,6 mijl)	37 km (23,3 mijl)
10 km/u 80 Ah accu's Q500 F	27,5 km	35,0 km	27 km (17,1 mijl)	34,7 km (21,7 mijl)
12,5 km/u 80 Ah accu's Q500 F	25,0 km	32,5 km	24,8 km (15,5 mijl)	32 km (20,2 mijl)
Klimvermogen bij obstakels Q500 F Voorwielaandrijving	70 mm		2,75"	
Max. voorwaartse snelheid Q500 F Voorwielaandrijving	6 km/u	12,5 km/u	6,4 km/u	12,4 km/u
Draaistraal Q500 F Voorwielaandrijving	735 mm		28,9"	
Draairuimte / achterwaartse breedte Q500 F Voorwielaandrijving	1240 mm		48,8"	
Ruimte vanaf de grond Q500 F Voorwielaandrijving	60 mm		2,36"	

Beschrijving	Waarden metrieke stelsel		Waarden imperiale stelsel & alternatief	
	Minimum	Maximum	Minimum	Maximum
Maximale afmetingen accu (l x b x h).	260 x 172 x 210 mm		10,2 x 6,8 x 8,3"	
Batterijvermogen	50 Ah / 60 Ah / 80 Ah		50 Ah / 60 Ah / 80 Ah	
Maximaal toegestane laadvoltage	24 V		24 V	
Maximaal toegestane laadstroom	12 A (RMS)		12 A (RMS)	
Type aansluiting:	📖 Gebruikershandleiding van de bediening		📖 Gebruikershandleiding van de bediening	
Isolatie	Klasse 2 dubbel geïsoleerd		Klasse 2 dubbel geïsoleerd	

Model	Q500 serie	
Type/configuratie Achterwielaandrijving	Q500 R	
Max. gebruikersgewicht		
In combinatie met Sedeo Lite	136 kg	300 lbs.
In combinatie met Sedeo Pro	160 kg	350 lbs.
EN12184 klasse:	B	

Beschrijving	Waarden metrieke stelsel		Waarden imperiale stelsel & alternatief	
	Minimum	Maximum	Minimum	Maximum
Totale lengte (inclusief beensteunen) Achterwielaandrijving				
Q500 R Sedeo Lite Centrale beensteun	1290 mm	1370 mm	50,8"	53,9"
Q500 R Sedeo Pro Wegzwenkbare beensteunen	1110 mm	1180 mm	43,7"	46,4"
Totale breedte				
Q500 R Aandrijfwielen 13"	615 mm		24,2"	
Q500 R Aandrijfwielen 14"	640 mm		25,2"	
Totaal gewicht				
Basisuitvoering, met accu's				
Q500 R Sedeo Lite	130 kg	135 kg	286,6 lbs.	297,6 lbs.
Q500 R Sedeo Pro + biomechanische rughoekverstelling	133 kg	138 kg	293 lbs.	304 lbs.
Invloed totale gewicht				
Accu's				
50 Ah AGM (C20) (Set van 2)	27 kg		+ 59,5 lbs.	
60 Ah AGM (C20) (Set van 2)	43 kg		+ 94,8 lbs.	
80 Ah AGM (C20) (Set van 2)	48,4 kg		+ 106,7 lbs.	
Transportgewicht van het zwaarste onderdeel	24,2 kg		53,4 lbs.	
Dynamische stabiliteit: Nominale helling				
Q500 R Achterwielaandrijving	10°		17,6%	
Min. remafstand bij maximale snelheid Q500 R	3400 mm		133,9"	
Statische stabiliteit				
Q500 R Sedeo Lite Naar beneden/omhoog/zijwaarts	9°/9°/9°	13°/15°/13°	15,8%/26%/15,8%	23%/26%/23%
Q500 R Sedeo Pro Naar beneden/omhoog/zijwaarts	9°/9°/9°	13°/15°/13°	15,8%/26%/15,8%	23%/26%/23%
Actieradius				
<i>NB: De onderstaande factoren hebben een negatieve invloed op de actieradius: Obstakels, ruig terrein, rijden op hellingen, blootstelling aan temperaturen onder het vriespunt en veelvuldig gebruik van de elektrisch aangedreven zitopties.</i>				
6 km/u 80 Ah accu's Q500 R	32,5 km	40,0 km	32 km (20,2 mijl)	39,5 km (24,9 mijl)
8 km/u 80 Ah accu's Q500 R	30,0 km	37,5 km	29,7 km (18,6 mijl)	37 km (23,3 mijl)
10 km/u 80 Ah accu's Q500 R	27,5 km	35,0 km	27 km (17,1 mijl)	34,7 km (21,7 mijl)
12,5 km/u 80 Ah accu's Q500 R	25,0 km	32,5 km	24,8 km (15,5 mijl)	32 km (20,2 mijl)
Klimvermogen bij obstakels				
Achterwielaandrijving Q500 R	80 mm		3,14"	
Klimcapaciteit met stoepenklimmer betreffende obstakels				
Achterwielaandrijving Q500 R	100 mm		3,9"	
Max. voorwaartse snelheid				
Q500 R Achterwielaandrijving	6 km/u	12,5 km/u	6,4 km/u	12,4 km/u
Draaistraal				
Q500 R Achterwielaandrijving	950 mm		37,4"	
Draairuimte / achterwaartse breedte				
Q500 R Achterwielaandrijving	1258 mm		50,6"	
Ruimte vanaf de grond				
Q500 R Achterwielaandrijving	65 mm		2,55"	

Beschrijving	Waarden metrieke stelsel		Waarden imperiale stelsel & alternatief	
	Minimum	Maximum	Minimum	Maximum
Maximale afmetingen accu (l x b x h).	260 x 172 x 210 mm		10,2 x 6,8 x 8,3"	
Batterijvermogen	50 Ah / 60 Ah / 80 Ah		50 Ah / 60 Ah / 80 Ah	
Maximaal toegestane laadvoltage	24 V		24 V	
Maximaal toegestane laadstroom	12 A (RMS)		12 A (RMS)	
Type aansluiting:	📖 Gebruikershandleiding van de bediening		📖 Gebruikershandleiding van de bediening	
Isolatie	Klasse 2 dubbel geïsoleerd		Klasse 2 dubbel geïsoleerd	

Model	Q500 serie	
Type/configuratie Midwielaandrijving	Q500 H	
Max. gebruikersgewicht		
In combinatie met Sedeo Pro	160 kg	350 lbs.
EN12184 klasse:	B	

Beschrijving	Waarden metrieke stelsel		Waarden imperiale stelsel & alternatief	
	Minimum	Maximum	Minimum	Maximum
Totale lengte (inclusief beensteunen) Q500 H Sedeo Pro Wegzwenkbare beensteunen	1195 mm		47,0"	
Totale breedte Q500 H Aandrijfwielen 13"	620 mm		24,4"	
Q500 H Aandrijfwielen 14"	640 mm		25,2"	
Totaal gewicht Basisuitvoering, met accu's				
Q500 F Sedeo Pro + mechanische zitaanpassing ter voorkoming van wrijving	128 kg	178 kg	282,2 lbs.	392,4 lbs.
Invloed totale gewicht Accu's				
50 Ah AGM (C20) (Set van 2)	27 kg		+ 59,5 lbs.	
60 Ah AGM (C20) (Set van 2)	43 kg		+ 94,8 lbs.	
80 Ah AGM (C20) (Set van 2)	50,2 kg		+ 110,7 lbs.	
Transportgewicht van het zwaarste onderdeel	24,2 kg		53,4 lbs.	
Dynamische stabiliteit: Nominale helling Q500 H Hybride aandrijving	10°		17,6%	
Min. remafstand bij maximale snelheid Q500 H	3400 mm		133,9"	
Statische stabiliteit				
Q500 H Sedeo Pro Naar beneden/omhoog/zijwaarts	9°/9°/9°	13°/15°/ 13°	15,8%/26%/15,8%	23%/26%/23%
Actieradius <i>NB: De onderstaande factoren hebben een negatieve invloed op de actieradius: Obstakels, ruig terrein, rijden op hellingen, blootstelling aan temperaturen onder het vriespunt en veelvuldig gebruik van de elektrisch aangedreven zitopties.</i>				
6 km/u 80 Ah accu's Q500 H	32,5 km	40,0 km	32 km (20,2 mijl)	39,5 km (24,9 mijl)
8 km/u 80 Ah accu's Q500 H	30,0 km	37,5 km	29,7 km (18,6 mijl)	37 km (23,3 mijl)
10 km/u 80 Ah accu's Q500 H	27,5 km	35,0 km	27 km (17,1 mijl)	34,7 km (21,7 mijl)
12,5 km/u 80 Ah accu's Q500 H	25,0 km	32,5 km	24,8 km (15,5 mijl)	32 km (20,2 mijl)
Klimvermogen bij obstakels Q500H Zonder aanloop, en met 0,5 meter aanloop.	50 mm	85 mm	1,97"	3,35"
Max. voorwaartse snelheid Q500 H	6 km/u	12,5 km/u	6,0 km/u	12,4 km/u
Draaistraal Q500 H	910 mm		35,8"	
Draairuimte / achterwaartse breedte Q500 H	1260 mm		49,6"	
Ruimte vanaf de grond Q500 H	80 mm		3,15"	

Beschrijving	Waarden metrieke stelsel		Waarden imperiale stelsel & alternatief	
	Minimum	Maximum	Minimum	Maximum
Maximale afmetingen accu (l x b x h).	260 x 172 x 210 mm		10,2 x 6,8 x 8,3"	
Batterijvermogen	50 Ah / 60 Ah / 80 Ah		50 Ah / 60 Ah / 80 Ah	
Maximaal toegestane laadvoltage	24 V		24 V	
Maximaal toegestane laadstroom	12 A (RMS)		12 A (RMS)	
Type aansluiting:	📖 Gebruikershandleiding van de bediening		📖 Gebruikershandleiding van de bediening	
Isolatie	Klasse 2 dubbel geïsoleerd		Klasse 2 dubbel geïsoleerd	

Technische specificaties: Zitsysteem SEDEO Lite

	Waarden metrieke stelsel		Waarden imperiale stelsel & alternatief	
	Minimum	Maximum	Minimum	Maximum
Aanpassing zithoek				
Elektrische kantelverstelling met zwaartepuntverplaatsing optioneel	0° - 30°		-5° - 25°	
Elektrische kantelverstelling met zwaartepuntverplaatsing optioneel	-5° - 25°		0° - 30°	
Elektrische kantelverstelling met zwaartepuntverplaatsing optioneel	0° - 50°		0° - 50°	
Effectieve diepte zitsysteem	410 mm	560 mm	16,1"	22,0"
Effectieve zitbreedte	385 mm	510 mm	15,2"	20,1"
Hoogte zitting tot bodem Vulmodule (geen elektrische kantelverstelling, geen zitlift)				
pos. 1 60 Ah Accu's 0° zithoek	415 mm		16,3"	
pos. 2 60 of 80 Ah Accu's 0° zithoek	440 mm		17,3"	
pos. 3 60 of 80 Ah Accu's 0° zithoek	465 mm		18,3"	
pos. 4 60 of 80 Ah Accu's 0° zithoek	490 mm		19,3"	
Elektrische kantelverstelling & hoog/laag (300 mm)				
pos. 1 60 of 80 Ah Accu's 0° zithoek	440 mm	740 mm	17,3"	29,1"
pos. 2 60 of 80 Ah Accu's 0° zithoek	465 mm	765 mm	18,3"	30,1"
pos. 3 60 of 80 Ah Accu's 0° zithoek	490 mm	790 mm	19,3"	31,1"
Hoek rugleuning				
Mechanisch instelbare rugleuning	86°,90°,94°,98°,102°,106°		86°,90°,94°,98°,102°,106°	
Elektrische kantelverstelling	85° - 120°		85° - 120°	
Hoogte rugleuning (zitplaat naar bovenzijde van kussen van rugleuning)	460 mm	510 mm	18,1"	20,1"
Klap de armsteun terug				
Armleggerhoogte (zitplaat naar bovenzijde van armlegger)	190 mm	320 mm	7,5"	12,6"
Diepte armlegger (op profiel armleuning)	100 mm		3,9"	
Hoek kussen armlegger (verticaal)	0° - 15°		0° - 15°	
Opklapbare armsteunen				
Armleggerhoogte (zitplaat naar bovenzijde van armlegger)	250 mm	400 mm	9,8"	15,7"
Breedte armleuning (op zitframe)	-20 mm	+20 mm	-0,79"	+0,79"
Breedte armlegger (op profiel armleuning)	-20 mm		-0,79"	
Diepte armleuning (op zitframe)	250 mm		9,8"	
Diepte armlegger (op profiel armleuning)	140 mm		5,5"	
Hoek kussen armlegger (verticaal)	0° - 15°		0° - 15°	
Mechanische centrale beensteun				
Onderbeenlengte (vanaf zitplaat)	305 mm	460 mm	12"	18,1"
Kniehoek	70° - 120°		70° - 120°	
Enkelhoek	+20° - -40°		+20° - -40°	
Elektrische centrale beensteun				
Onderbeenlengte (vanaf zitplaat)	210 mm	470 mm	8,3"	18,5"
Kniehoek	90° - 180°		90° - 180°	
Max lengtecompensatie	180 mm		7,1"	
Enkelhoek	+35° - -15°		+35° - -15°	
Wegzwenkbare SEDEO LITE beensteunen				
Onderbeenlengte (vanaf zitplaat)	350 mm	510 mm	13,8"	20,1"
Kniehoek	70°		70°	
Enkelhoek	0° - 180°		0° - 180°	

	Waarden metrieke stelsel		Waarden imperiale stelsel & alternatief	
	Minimum	Maximum	Minimum	Maximum
Wegzwenkbare SEDEO LITE beensteunen, lengte compenserend/ elektrisch				
Onderbeenlengte (vanaf zitplaat)	350 mm	510 mm	13,8"	20,1"
Kniehoek	0° - 70°		0° - 70°	
Enkelhoek	0° - 180°		0° - 180°	
Wegzwenkbare UNI beensteunen				
Onderbeenlengte (vanaf zitplaat)	350 mm	510 mm	13,8"	20,1"
Kniehoek	70°		70°	
Enkelhoek	0° - 180°		0° - 180°	
Wegzwenkbare SEDEO PRO beensteunen				
Onderbeenlengte (vanaf zitplaat)	350 mm	510 mm	13,8"	20,1"
Kniehoek	70°		70°	
Enkelhoek	0° - 180°		0° - 180°	
Wegzwenkbare SEDEO PRO beensteunen, lengte compenserend/ elektrisch				
Onderbeenlengte (vanaf zitplaat)	350 mm	510 mm	13,8"	20,1"
Kniehoek	0° - 70°		0° - 70°	
Enkelhoek	0° - 180°		0° - 180°	
SEDEO hoofdsteunmontage				
Bereik hoofdsteunhoogte	170 mm		6,7"	
Bereik hoofdsteundiepte	200 mm		7,9"	
Hoek hoofdsteun (verticaal)	-45° - +45°		-45° - +45°	
Breedte hoofdsteun	-20 mm	20 mm	-0,8"	+0,8"
Romppelotten				
Bereik breedte romppelotten	90 mm		3,5"	
Bereik hoogte romppelotten	170 mm		6,7"	
Bereik diepte romppelotten	45 mm		1,8"	
Abductieklos				
Hoogte abductieklos (van zitplaat naar bovenzijde van kussen)	170 mm	250 mm	6,7"	9,8"
Bereik diepte abductieklos	65 mm		2,5"	

Technische specificaties: Zitsysteem SEDEO Pro

	Waarden metrieke stelsel		Waarden imperiale stelsel & alternatief	
	Minimum	Maximum	Minimum	Maximum
Aanpassing zithoek				
Elektrische kantelverstelling met aanpassing zwaartekrachtspunt optioneel	0° - 30°		0° - 30°	
Elektrische kantelverstelling met aanpassing zwaartekrachtspunt optioneel	-5° - 25°		-5° - 25°	
Elektrische kantelverstelling met aanpassing zwaartekrachtspunt optioneel	0° - 50°		0° - 50°	
Elektrische kantelverstelling met aanpassing zwaartekrachtspunt optioneel	-5° - 45°		-5° - 45°	
Effectieve diepte zitsysteem	400 mm	560 mm	15,7"	22,0"
Effectieve zitbreedte	380 mm	560 mm	15"	22,0"
Hoogte zitting tot bodem				
Vulmodule (geen elektrische kantelverstelling, geen zitlift)				
pos. 1 60 Ah accu's 0° zithoek	425 mm		16,7"	
pos. 2 60 of 80 Ah accu's 0° zithoek	440 mm		17,3"	
pos. 3 60 of 80 Ah accu's 0° zithoek	465 mm		18,3"	
pos. 4 60 of 80 Ah accu's 0° zithoek	490 mm		19,3"	
Elektrische kantelverstelling & hoog/laag (300 mm)				
pos. 1 60 Ah accu's 0° zithoek	425 mm	725 mm	16,7"	28,5"
pos. 2 60 of 80 Ah accu's 0° zithoek	440 mm	740 mm	17,3"	29,1"
pos. 3 60 of 80 Ah accu's 0° zithoek	465 mm	765 mm	18,3"	30,1"
pos. 4 60 of 80 Ah accu's 0° zithoek	490 mm	790 mm	19,3"	31,1"
Hoek rugleuning				
Mechanisch instelbare rugleuning	90° - 120°		90° - 120°	
Elektrische kantelverstelling	90° - 130°		90° - 130°	
Elektrische biomechanische rughoekverstelling	90° - 150°		90° - 150°	
Hoogte rugleuning (zitplaat naar bovenzijde van kussen van rugleuning)	530 mm	720 mm	20,9"	28,3"
Wegklapbare armsteun / uitneembare armsteun				
Armleggerhoogte (zitplaat naar bovenzijde van armlegger)	260 mm	380 mm	10,2"	15"
Breedte armleuning (op zitframe)	-20 mm	+20 mm	-0,8"	+0,8"
Breedte armlegger (op profiel armleuning)	-20 mm		-0,8"	
Diepte armleuning (op zitframe met korte zittingrail)	250 mm		10,8"	
Diepte armlegger (op profiel armleuning)	100 mm		3,9"	
Hoek kussen armlegger (verticaal)	0° - 15°		0° - 15°	
Opklapbare, meebewegende armsteun				
Armleggerhoogte (zitplaat naar bovenzijde van armlegger)	250 mm	400 mm	9,8"	15,7"
Breedte armlegger (op profiel armleuning)	-20 mm		-0,8"	
Diepte armlegger (op profiel armleuning)	140 mm		5,5"	
Hoek kussen armlegger (verticaal)	0° - 15°		0° - 15°	
Mechanische centrale beensteun				
Onderbeenlengte (vanaf zitplaat)	305 mm	460 mm	12"	18,1"
Kniehoek	70° - 120°		70° - 120°	
Enkelhoek	+20° - -40°		+20° - -40°	
Elektrische centrale beensteun				
Onderbeenlengte (vanaf zitplaat)	210 mm	470 mm	8,3"	18,5"
Kniehoek	90° - 180°		90° - 180°	
Max lengtecompensatie	180 mm		7,1"	
Enkelhoek	+35° - -15°		+35° - -15°	
Wegzwenkbare beensteunen				
Onderbeenlengte (vanaf zitplaat)	350 mm	510 mm	13,8"	20,1"
Kniehoek	70°		70°	
Enkelhoek	0° - 180°		0° - 180°	

	Waarden metrieke stelsel		Waarden imperiale stelsel & alternatief	
	Minimum	Maximum	Minimum	Maximum
Mechanische en elektrische wegzwenkbare beensteunen				
Onderbeenlengte (vanaf zitplaat)	350 mm	510 mm	13,8"	20,1"
Kniehoek	0° - 70°		0° - 70°	
Enkelhoek	0° - 180°		0° - 180°	
SEDEO hoofdsteunmontage				
Bereik hoofdsteunhoogte	170 mm		6,7"	
Bereik hoofdsteundiepte	200 mm		7,9"	
Hoek hoofdsteun (verticaal)	-45° - +45°		-45° - +45°	
Breedte hoofdsteun	-20 mm	20 mm	-0,8"	+0,8"
Romppelotten				
Bereik breedte romppelotten	90 mm		3,5"	
Bereik hoogte romppelotten	170 mm		6,7"	
Bereik diepte romppelotten	45 mm		1,8"	
Abductieklos				
Hoogte abductieklos (van zitplaat naar bovenzijde van kussen)	170 mm	250 mm	6,7"	9,8"
Bereik diepte abductieklos	65 mm		2,5"	
Bereik hoogte duwstang	140 mm		5,5"	

12.0 Garantie

DEZE GARANTIE DOET OP GEEN ENKELE WIJZE AFBREUK AAN UW RECHTEN.











Sunrise Medical* biedt haar klanten een garantie op producten, zoals bepaald in de garantievoorwaarden die het onderstaande dekken.

Garantievoorwaarden:

1. Indien een onderdeel of onderdelen van het product binnen 24 maanden gerepareerd of vervangen moet(en) worden als gevolg van een fabricagefout en/of gebrek in het materiaal, wordt het betreffende onderdeel of de betreffende onderdelen kosteloos gerepareerd of vervangen. De garantie geldt slechts voor fabricagefouten.
2. Om de garantie ten uitvoer te brengen, kunt u contact opnemen met de leverancier van uw rolstoel, bijv. de door Sunrise Medical erkende dealer of zorgaanbieder, met de exacte gegevens over het probleem. Indien u het product gebruikt buiten het gebied dat wordt gedekt door de klantenservice van Sunrise Medical, wordt de reparatie of vervanging uitgevoerd door een ander servicepunt welke door de fabrikant wordt aangewezen. Het product moet worden gerepareerd door een door Sunrise Medical aangewezen servicepunt (dealer).
3. Voor onderdelen die binnen het bereik van deze garantiebepalingen zijn gerepareerd of vervangen, bieden we een garantie in overeenstemming met deze garantievoorwaarden voor de resterende garantieperiode voor het product in overeenstemming met punt 1.
4. Voor originele reserveonderdelen die op kosten van de klant zijn gemonteerd, geldt een garantieperiode van 12 maanden (na montage) in overeenstemming met deze garantiebepalingen.
5. Vorderingen op basis van deze garantie kunnen niet worden gedaan indien een reparatie of vervanging van een product of een onderdeel daarvan noodzakelijk is vanwege de onderstaande redenen:
 - a. Voor normale slijtage, zoals, maar niet beperkt tot de volgende onderdelen, wanneer het product hiermee is uitgerust: accu's, kussens van armlenningen, bekleding, banden, remschoenen, kabelschoenen, etc.
 - b. Bij overbelasting van het product; zie het EC-etiket voor het maximale gebruikersgewicht.
 - c. Het product of onderdeel is niet onderhouden in overeenstemming met de aanbevelingen van de fabrikant, zoals uiteengezet in de gebruikershandleiding en/of de onderhoudsinstructies.
 - d. Er zijn accessoires gebruikt die niet gespecificeerd zijn als originele onderdelen.
 - e. Wanneer het product of onderdeel is beschadigd door verwaarlozing, een ongeluk of oneigenlijk gebruik;
 - f. Er zijn veranderingen/wijzigingen aangebracht aan het product of onderdelen die afwijken van de specificaties van de fabrikant.
 - g. Reparaties zijn uitgevoerd voordat onze Klantenservice is geïnformeerd over de omstandigheden.
6. Op deze garantie zijn de wetten van het land waarin het product van Sunrise Medical werd aangekocht, van toepassing.
7. Levensduur
Naar verwachting is de levensduur van dit product vijf jaar, op voorwaarde dat:
 - Het product wordt gebruikt in strikte naleving van het bedoelde gebruik en zoals gesteld in dit document.
 - Aan alle onderhouds- en servicevoorwaarden wordt voldaan.De verwachte levensduur kan worden overschreden als het product zorgvuldig wordt gebruikt en goed wordt onderhouden, mits technische en wetenschappelijke vooruitgang niet tot technische beperkingen leiden.
De verwachte levensduur kan echter ook aanzienlijk worden bekort door extreem of onjuist gebruik.
Het feit dat wij een geschatte levensduur voor dit product noemen, bevat geen aanvullende garantie.

* Dit betekent de Sunrise Medical faciliteit waarvan het product werd aangekocht.

13.0 Sticker

		Sunrise Medical GmbH Kahlbachring 2-4 D-69254 Malsch / Germany		 2020-10-19	
TYPE: E-Rollstuhl		SN 203204229981727			
Q500 M		ISO 7176-19:2008		FIN-Nr: 5M20107584	
 136 kg	 max 385 kg	 max 6 km/h	 max 6°	 max 60kg/250kg/100kg	  

SOORT:

Naam product, SKU nummer



De maximale veilige helling met anti-tip wielen, hangt af van de instellingen van de rolstoel, en van het postuur en de fysieke capaciteiten van de gebruiker.



Max. gebruikersgewicht.



Maximale belasting.



Maximumsnelheid.



Max. asbelasting



VKCA-markering.



CE-keurmerk.



Raadpleeg de gebruiksaanwijzing.



Geeft aan dat elektronische/elektrische apparatuur moet worden afgevoerd in overeenstemming met de Richtlijn elektrisch en elektronisch afval.



Productiedatum



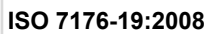
Serienummer.



Dit symbool betekent: Medisch hulpmiddel.



Adres fabrikant.



Crashtest heeft ondergaan volgens ISO 7176-19:2008.



Adres van de importeur



Verantwoordelijke persoon VK



Het adres van de vertegenwoordiger in Zwitserland



ISO 7010-M002
Gebruikershandleiding/
brochure moet worden gelezen!
 (Blauw icoon)

Sunrise Medical S.r.l.
Via Riva, 20 – Montale
29122 Piacenza
Italia
Tel.: +39 0523 573111
Fax: +39 0523 570060
www.SunriseMedical.it

Sunrise Medical AG
Erlenauweg 17
CH-3110 Münsingen
Schweiz/Suisse/Svizzera
Fon +41 (0)31 958 3838
Fax +41 (0)31 958 3848
www.SunriseMedical.ch

Sunrise Medical AS
Delitoppen 3
1540 Vestby
Norge
Telefon: +47 66 96 38 00
post@sunrisemedical.no
www.SunriseMedical.no

Sunrise Medical AB
Neongatan 5
431 53 Mölndal
Sweden
Tel.: +46 (0)31 748 37 00
post@sunrisemedical.se
www.SunriseMedical.se

MEDICCO s.r.o.
H – Park, Heršpická 1013/11d,
639 00 Brno
Czech Republic
Tel.: (+420) 547 250 955
Fax: (+420) 547 250 956
www.medicco.cz
info@medicco.cz
Bezplatná linka 800 900 809

Sunrise Medical Aps
Mårkærvej 5-9
2630 Taastrup
Denmark
+45 70 22 43 49
info@sunrisemedical.dk
Sunrisemedical.dk

Sunrise Medical Australia
11 Daniel Street
Wetherill Park NSW 2164
Australia
Ph: +61 2 9678 6600
E: enquiries@sunrisemedical.com.au
www.SunriseMedical.com.au

Sunrise Medical
North American Headquarters
2842 Business Park Avenue
Fresno, CA, 93727, USA
(800) 333-4000
(800) 300-7502
www.SunriseMedical.com



Sunrise Medical GmbH
Kahlbachring 2-4
69254 Malsch/Heidelberg
Deutschland
Tel.: +49 (0) 7253/980-0
Fax: +49 (0) 7253/980-222
www.SunriseMedical.de

Sunrise Medical
Thorns Road
Brierley Hill
West Midlands
DY5 2LD
England
Phone: 0845 605 66 88
Fax: 0845 605 66 89
www.SunriseMedical.co.uk

Sunrise Medical S.L.
Polígono Bakiola, 41
48498 Arrankudiaga – Vizcaya
España
Tel.: +34 (0) 902142434
Fax: +34 (0) 946481575
www.SunriseMedical.es

Sunrise Medical Poland
Sp. z o.o.
ul. Elektronowa 6,
94-103 Łódź
Polska
Telefon: + 48 42 275 83 38
Fax: + 48 42 209 35 23
E-mail: pl@sunrisemedical.de
www.Sunrise-Medical.pl

Sunrise Medical HCM B.V.
Vossenbeemd 104
5705 CL Helmond
The Netherlands
T: +31 (0)492 593 888
E: customerservice@sunrisemedical.nl
www.SunriseMedical.nl
www.SunriseMedical.eu
(International)

Sunrise Medical SAS
ZAC de la Vrillonnerie
17 Rue Michaël Faraday
37170 Chambray-Lès-Tours
Tel : +33 (0) 2 47 55 44 00
Email: info@sunrisemedical.fr
www.sunrisemedical.fr

