

Yume Series

YUME ESPOIR II YUME NOBLE II

The evolution of true design excellence



YOUR YUME EXPERIENCE BEGINS HERE

Free yourself from gravity

Escape the hustle and bustle

Relieve tension and tiredness

Leave everything behind

I float away, softly

I am gently embraced in sublime comfort

To a haven of tranquility and calm

Where I can dream



Your Yume Head Spa experience begins here...

The pinnacle and benchmark standard of innovation has been reached.

YUME Series embodies the knowledge and know-how of Takara Belmont - a pioneer in Japanese head spa equipment since the 2000s.



New Neck Device

Full lie-flat functionality has been further refined to enhance comfort from head-to-toe. The new neck device is the key to unlocking pure comfort.



We have upgraded the neck device for better sleep comfort, adding space for easier nape washing, and smoother shampooing during long treatments.

A new mechanism improves workability and simplifies cleaning.

The new axis-free mechanism adapts to individual head and body shapes, widening the basin's treatment space. The removable neck cushion holder also means cleaning and hygiene procedures are very easy.



New Basin

A redesigned, recontoured leaning-back basin with a slim body that enhances workability.



The basin and body are expertly shaped to streamline shampooing and provide a wider working space.

The basin's back is lowered for easier hand movement, while maintaining the appropriate distance between the shower head and the client's head. The body cover shape is improved for better seated shampooing comfort. A thinner front brings the basin closer to the backrest, offering firm shoulder and neck support for an ideal sleeping environment.



Storage space for small items improves working efficiency.

The flat space in the basin allows you to place small items and care products, improving treatment efficiency.



Features

A compact, switchable shower head that's easy to hold, even for small hands.



Beautifully Soft Champagne Flow

Mini Dual flow shower head



Consistently Pure Shower Flow

New Options

A simple eyelash device set for extensions expands service options at the wash unit.

Even without a dedicated space, this unit can be easily attached to the basin. This allows effective use of available wash stations and increases the overall service efficiency by utilising processing time for additional treatments.



Yume

ESPOIR II

PURE COMFORT IN A FULL LIE FLAT POSITION

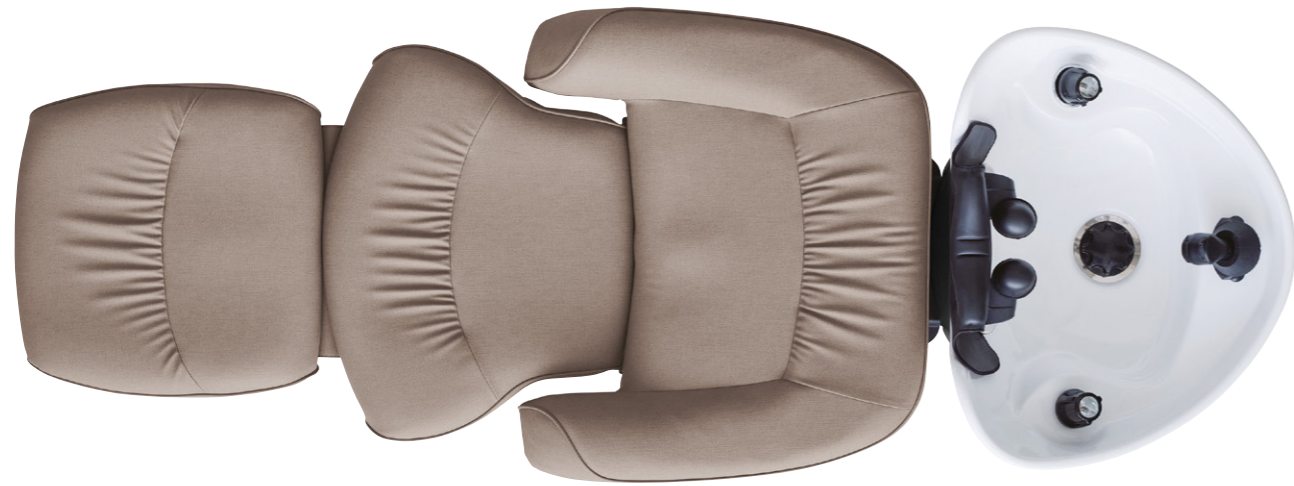
Bring the blissful comfort of Yume Espoir II to your salon.

With a luxurious lie-flat seat and soothing warmth, Yume Espoir II supports your body from head to toe.

Ideal for shampoo and head spa services, Yume Espoir II offers a range of options for the ultimate in comfort and relaxation, even during longer treatments.



REFINED FOR THE ULTIMATE IN RELAXATION



Our standard model is designed to deliver an exceptional sense of relaxation. YUME ESPOIR II inherits the proven functionality of YUME while offering an even higher level of comfort.

The chair style, upholstery colour, and additional details can be customised to complement the unique aesthetic of your salon.



A full lie-flat seat for comfortable treatments

The backrest is extended by 40mm for enhanced support, with a minimal gap between the bed and neck device. The legrest is set to zero degrees, allowing a fully flat position for optimal comfort and relaxation during treatments.

Experience a 'wrapped-in' feeling in every detail

The bucket-shaped backrest envelops you when seated. With three-point gathers adding a wrapped, premium feel, the seat design ensures complete comfort in sitting and reclined 'sleeping' positions.



Legrest heater for gentle warmth

The legrest heater gently and softly warms your calves to ensure that you receive your treatment in pure comfort.



New easy to use foot controller

The compact foot control for operating the chair does not get in the way of the treatment.



A comfortable transition to the shampoo position

A simple mechanism adjusts the seat and backrest, minimising impact and enabling a smooth transition to the shampoo position without placing any burden on the client.

Yume

NOBLE II

EXCEPTIONAL SOLIDITY
FOR THE ULTIMATE IN
SLEEPING COMFORT

The high-quality upholstery and carefully chosen cushions provide comfort, enveloping your body like a bed and inducing a blissful, relaxing experience.



LUXURIOUS MODEL FOR MAXIMUM COMFORT



The YUME NOBLE II features contrasting upholstery for a sophisticated aesthetic, enhanced by a deep gathered finish that adds a luxurious touch. Carefully selected cushioning delivers exceptional comfort, creating a premium model defined by quality.



A full lie-flat seat where you can stretch out and relax

The backrest is extended by 25mm, with the gap between the neck device and bed minimized. The bucket-shaped legrest cradles the legs, offering full support and comfort, even for taller users.



The soft cushions and backrest provide a cocoon of luxury and comfort

Deep gathers in the thick, high-quality urethane leather accentuate the softness of the cushion. Furthermore, the backrest is fitted with a double cushion for a comfortable sitting experience.

The heater is designed to keep you naturally warm even during longer spa-style treatments

Heaters set to a temperature close to that of the human body are integrated into the back and legrests, providing gentle warmth that encourages deep relaxation and lulls you into sleep.



Discreet, simple heater controls

A two-way switch allows you to easily switch each heater on and off.



Fitted, legrest cover

A dedicated cover, made from the same material as the main body, helps protect the unit from dirt. If the cover becomes soiled, it should be replaced



OPTIONS

Basin inner tray

A removable inner tray that supports effortless cleaning and provides a practical space for small consumables within the basin.



Plumbing cover set

An above-ground plumbing cover designed to protect pipework while maintaining a clean and functional appearance.

Head Pillow

Large gel-filled head pillow for comfortable, extended treatments.



Yume eyelash device set

Eyelash device accessories designed to expand the functionality of the basin, enabling the delivery of additional eyelash services.



Neck cushion

Spare neck cushion to ensure continued ergonomic support and hygiene standards.

Head cushions

Spare head cushions to ensure continued ergonomic support and hygiene standards.



CONSUMABLES



Yume
**HEAD
BATH**



A new innovative addition, exclusive to the Yume series. Enjoy five minutes of blissful, calming sensations as warm water envelops the scalp and head.

The Head Bath not only enhances every customer experience but increases the value of your treatments in the backwash area by creating a service that promotes relaxation and calm as well as improving the scalp health and well-being.

Benefits:

- › Removes accumulated dirt and product build-up from the scalp to create the perfect foundation for healthy hair growth, and produce a clean, healthy scalp
- › Relieves stress and lifts mood through its therapeutic effect
- › Delivers a spa-style experience for the scalp and hair that only professional salons can provide

**Yume
Head Bath**



Please Note:
This product requires a certain amount of hot water and a stable water temperature. For more information, please contact your local authorised Takara Belmont dealer.

**Yume
Cape**



Featuring a wash-resistant antibacterial finish, the material helps inhibit the growth of specific bacteria*, supporting a consistently hygienic environment. Its advanced deodorising properties are effective against ammonia and hydrogen sulphide - common causes of unpleasant odours - ensuring lasting freshness and comfort.

*Staphylococcus aureus, Klebsiella pneumoniae, MRSA (methicillin-resistant Staphylococcus aureus), etc.

TECHNOLOGY & INNOVATION

Spa Mist II uses a soft, microscopic mist that penetrates the scalp and hair. Used with treatments such as Head Spa, Colouring, Perm or all round feel-good hair care.

Spa Mist II



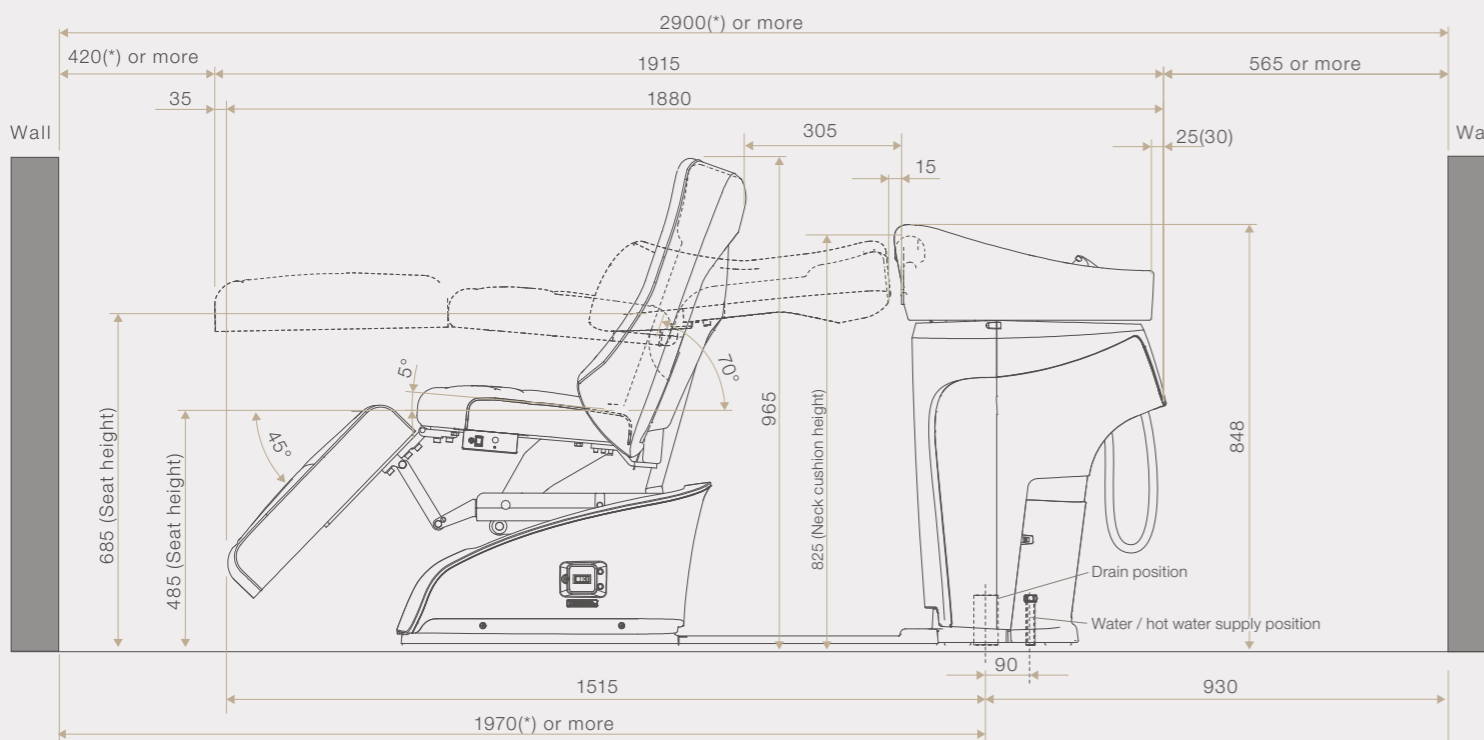
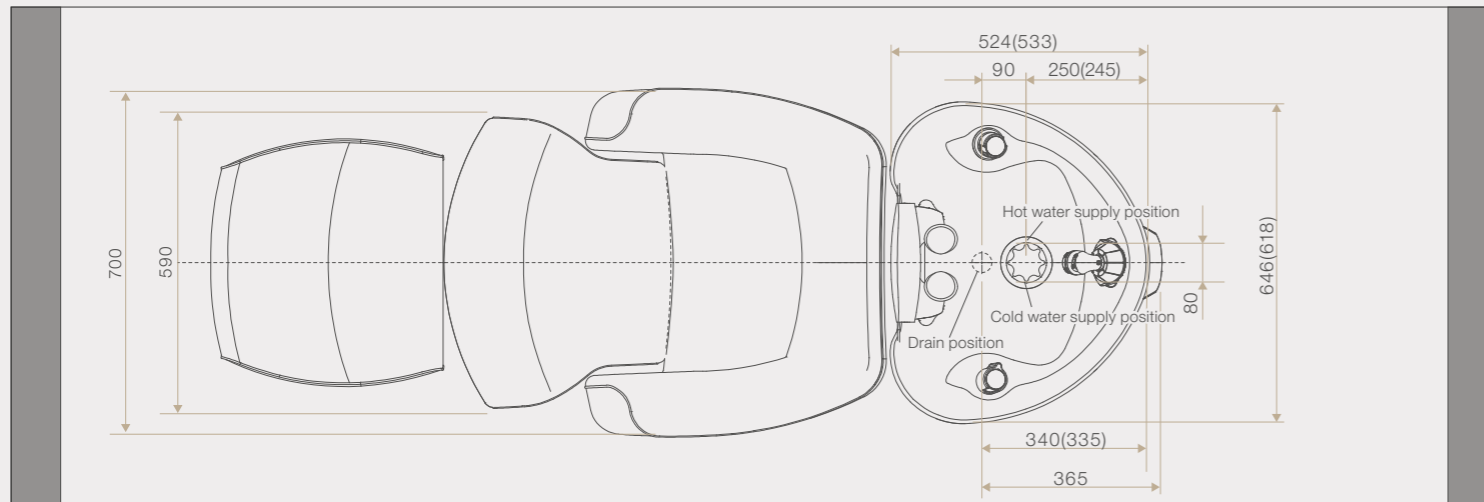
Espoir Stool

Designed for the Yume Espoir, yet equally suited to all backwash services, its hydraulic sprung seat is highly padded for complete comfort. The tilting motion is stabilised via a heavy base with rubber feet to prevent unwanted movement.



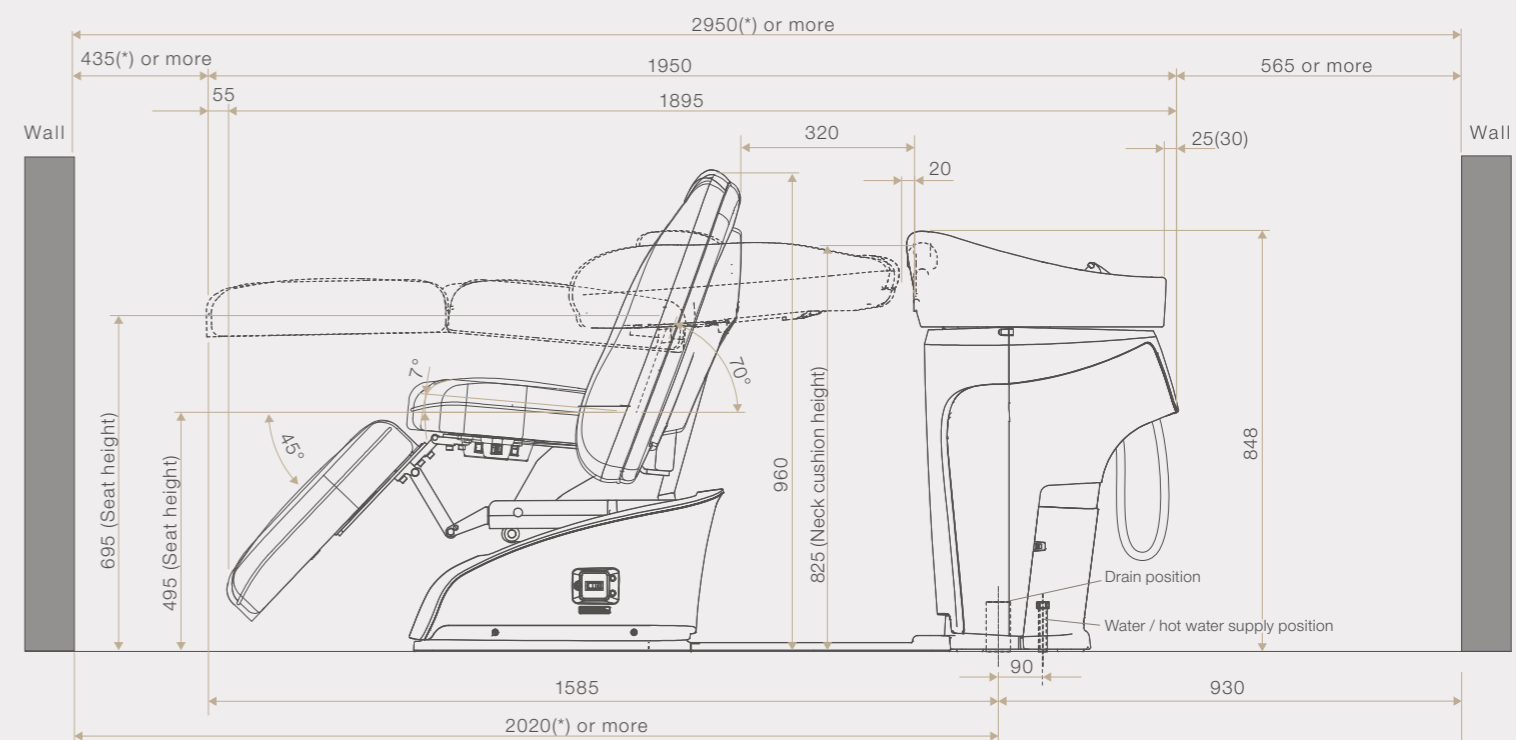
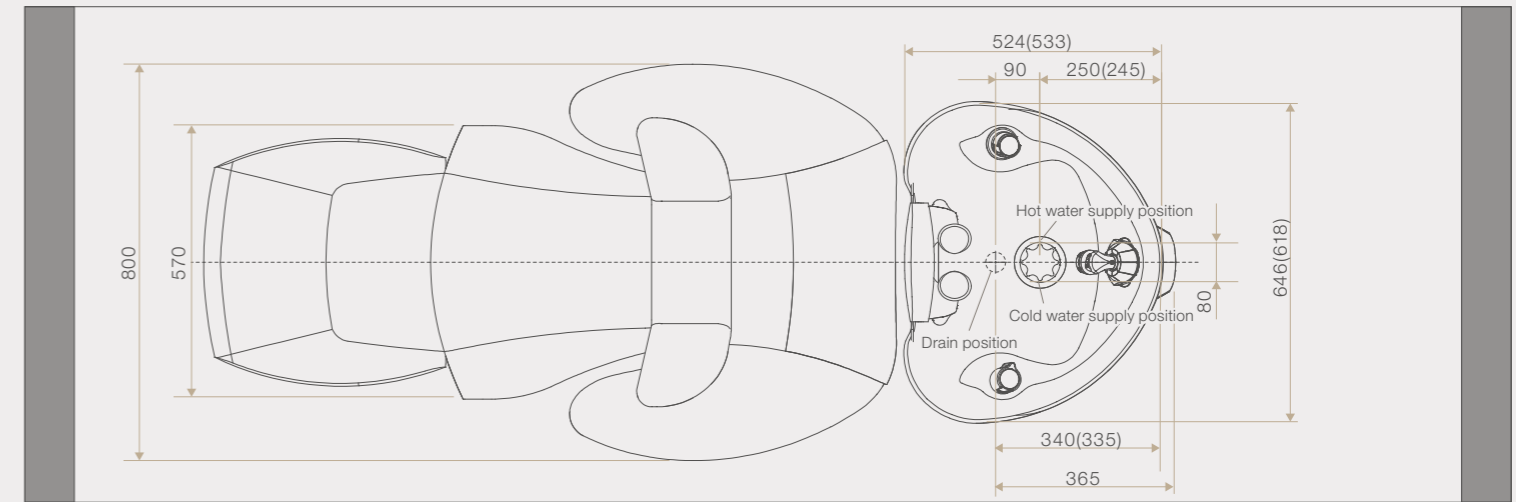
Yume Stool

Designed for the Yume Espoir, yet equally suited to all backwash services, its hydraulic sprung seat is highly padded for complete comfort. The 360° multi-directional tilting motion is stabilised via a heavy base with rubber feet to prevent unwanted movement.



Note: Please allow extra space for tall clients or when using as a walkway for the dimensions indicated by (*). There may be slight variations in the dimensions of the basin and seat due to individual differences.

YUME ESPOIR II	
External Dimensions	W700 x D1915 x H965
Rated Voltage	AC 230 V
Rated Frequency	50/60 Hz
Rated Power Consumption	2.0 / 1.7 A
Weight	91.5 kg

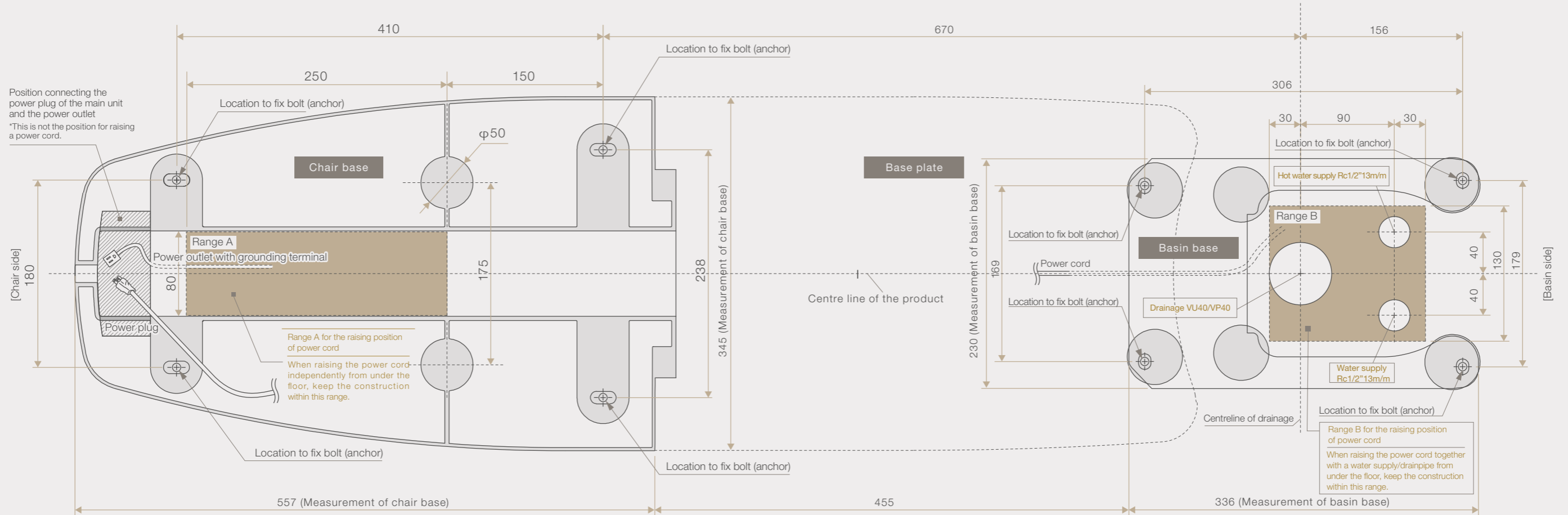


Note: Please allow extra space for tall clients or when using as a walkway for the dimensions indicated by (*). There may be slight variations in the dimensions of the basin and seat due to individual differences.

YUME NOBLE II	
External Dimensions	W800 x D1950 x H960
Rated Voltage	AC 230 V
Rated Frequency	50/60 Hz
Rated Power Consumption	2.0 / 1.7 A
Weight	97 kg

● Indicates the installation surface on the floor. ● Indicates the raising position of a power cord.

— Lowest position - - - - - Highest position



CONDITIONS FOR MOUNTING AND INSTALLATION

The floor must have the following strength:

- Wooden floor: Plywood should be 30 mm or thicker.
- Mortar floor: The mortar should be 50 mm or thicker
- A special floor (e.g. a stone floor): The base that secures the strength is required at the installation location, as stated above.

A tile or glass finish floor:

If the floor finishing material is made of tile or similar materials, the installation of the wash unit will cause a crack in the tile from bolt tightening. In such cases, please change the floor at the installation position to alternative materials, such as plywood or mortar.

Measures to prevent water leakage under the floor and to the downstairs:

In the event of water leakage, please implement preventative measures: Please use waterproof floor material. If the floor has any openings, please seal them during interior construction (waterproofing construction). In addition, please attach the piping gasket.

Basin Height	Hot Water Supply	Water Supply	Drainage
H type	100mm	100mm	100mm

Upholstery options shown in this brochure may vary. Enquire now about UK specification. The colours in this brochure may differ slightly from the actual products due to the nature of on-screen / printed matter. Dimensions and specifications may change for improvement without notice. The products listed in the catalogue are sold exclusively to salons and are not available to general customers. Please be sure to connect the ground terminal to the power supply plug when using it. If the ground is not connected, there is a risk of electric shock in the event of a malfunction or electrical leakage. Grounding also helps to prevent malfunctions caused by noise. Please consult a specialist for groundwork. Please be sure to install a dedicated circuit for products that require one, as specified in the installation manual. Synthetic leather may deform or discolour due to contact with clothes, belts, etc., or the colour may transfer due to the adhesion of clothing dye. Although we have strict in-house standards for the molding of ceramic basins, due to the firing process at high temperatures, there will inevitably be differences in the dimensions shown on the installation drawings and variations in the shape of each product.

Visit our fully-equipped showrooms for your viewing pleasure and to experience our world-class equipment. Our full range is on show and our friendly, knowledgeable team are always available for demonstrations.

Showroom viewings are available by appointment only.

takarahairdressing.co.uk

 **TAKARA
BELMONT**



UNITED KINGDOM SALES

+44 (0) 20 7515 0333
hairdressing@takara.co.uk

Takara Belmont (UK) Ltd
Belmont House,
1 Saint Andrews Way,
Bow, London E3 3PA

LONDON / MANCHESTER /