





Removal of the armrest and backrest: Two people are needed. One person presses down the armrest (1) and the pin protruding heads at the lower part of the backrest (2) with both hands, and the other person holds and lift the armrest (1) and backrest (2) lightly to remove them.

## VI. Maintenance

### Symbol and signification

Symbol	Signification	Symbol	Signification
	KEEP UP		FRAGILE
	KEEP DRY		The symbol indicates wrong operation may harm the user or damage the goods

▶ Before use, please check whether all fittings of the product are fastened firmly and make sure there is no loose-ness. It is recommended to have a guardian when using the commode chair.

▶ When adjusting the height, make sure that the height of the four feet is the same, and the positioning pins

▶ (10) are fastened firmly.

When installing the armrest (1), backrest (2) and upper

▶

▶

leg tubes (9), make sure there is a “click” sound and check whether they are fastened firmly, so as to ensure safety.

▶ The foot pads (14) of the commode chair are made of plastic, and should be replaced in time if any wear to avoid accidents.

Attention: People with lower limbs inconvenience must pay attention to safety when using this product.

⚠ Transportation: It should be handled with care during transportation.

▶ Do not throw, press it with heavy load or roll it over. Storage: It should be placed in a dry, ventilated and stable room with

▶ no corrosive materials.

▶ Use a soft dry cloth for wiping the medical aid.

Discard the waste in accordance with the relevant local environmental protection regulations.

▶ All specifications and product configurations are subject to change without notification.



## 90667 Commode Chair User's Manual

Please read the user's manual closely before using!



## I. Product usage

- ▶ It is used to assist patients with lower limb walking inconvenience after surgery and patients with lower limb disabilities to walk or stand for rehabilitation training.
- ▶ Contraindications: None

## II. Main properties

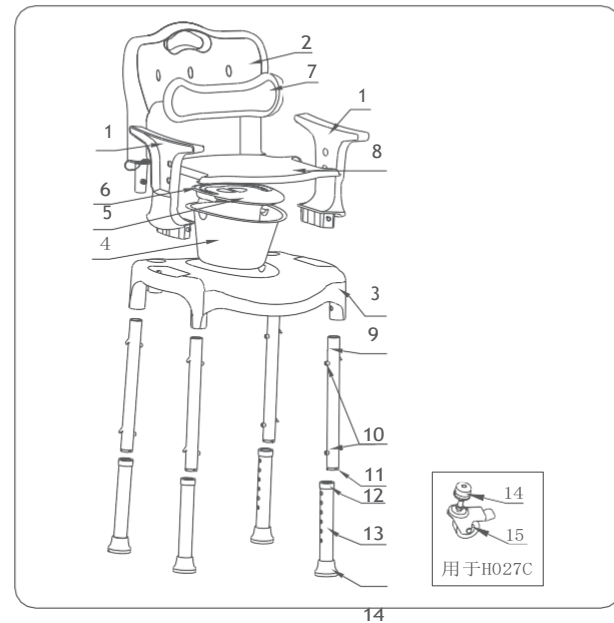
- ▶ Commode chair: removable armrest and backrest, and height adjustable in six levels.

## III. Model description

- ▶ Commode chair has a white main body and adopts foot pads.

## IV. Basic structure

- ▶ It is composed of a commode rack, telescopic tubes, an armrest, an armrest tube, a backrest tube, positioning pins, foot pads, a commode frame, a commode lid, a commode bucket, and a commode bucket lid.
- ▶ The basic structure is as shown in the figure:



1. Armrest (including the structure functions of armrest and armrest tube)
2. Backrest (including the structure functions of backrest and backrest tube)
3. Chair seat (including the structure functions of commode rack and commode frame)
4. Commode bucket
5. Commode bucket lid
6. Commode bucket handle

7. Backrest cushion
8. Seat cushion (including the structure function of commode lid)
9. Upper leg tube
10. Positioning pin
11. Inner tube plug
12. Pipe sleeve
13. Telescopic tube
14. Foot pads

## V. Usage

- ▶ Selection of medical walking aids: The commode chair has removable armrests and back-rests, and the height is adjustable among six levels;  
Height adjustment: Press the protruding head of the positioning pin (10) with one hand, and hold the telescopic tube (13) with the other hand, move it up and down to adjust to a suitable position, and ensure the protruding heads of positioning pins (10) of the 4 feet are fastened firmly to the holes of the same height to avoid danger.

## ▶ Installation and use of commode chair:

- Insert 4 upper leg tubes (9) into the foot holes of the seat (3) until hear a “click” sound. When the protruding head of the pin (10) pops out of the positioning hole, it means the leg tubes are installed.
- Insert the armrest (1) and the backrest (2) into the fixing holes of the seat (3) in the same way of ① until hear a “click” sound. When the protruding head of the pin single pin pops out of the positioning hole, it means the leg tubes are installed.
- Place the commode bucket components (4)(5)(6) into the middle hole of the seat (3), and then put on the seat

cushion (8) in place.

- Clip the backrest cushion (7) into the 3 small oval holes on the backrest (2). Now the installation is complete and it can be used normally.
- When using the commode function, please remove the seat cushion (8) and the commode lid (5), and cover it again after using to prevent the bad smell of stool and urine; when using the bath function it is recommended to remove the commode bucket components (4)(5)(6).