

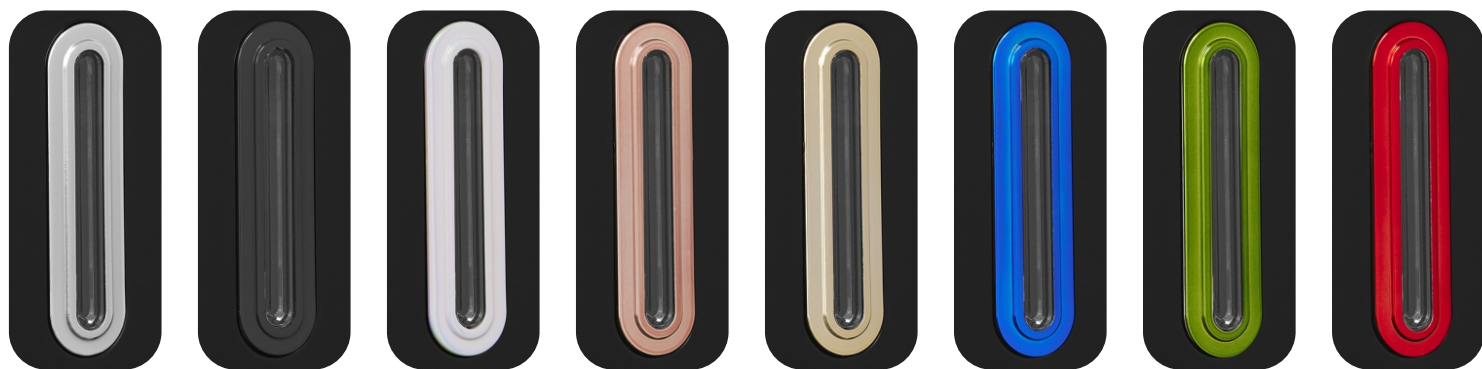
# 1 LITRE BEADED SOAP DISPENSER



# HALO

- CONSTRUCTED IN ABS PLASTIC IN A CONTEMPORARY 'SILK TOUCH' SATIN BLACK FINISH.
- INTERCHANGEABLE METALLIC HALO VIEWING WINDOW.
- AVAILABLE IN EIGHT DIFFERENT COLOURS AND TINTS.
- SPIRIT LEVEL INSTALLED ON THE BACKPLATE TO AID INSTALLATION.
- PUMP MADE WITH MARINE GRADE STAINLESS STEEL SPRING.
- 1LTR RESERVOIR WITH BEADED PUMP. 0.5ML SHOT SIZE.
- PRODUCT BRANDING AVAILABLE FOR ADDED PERSONALISATION.
- KEY OPERATED WITH EASILY DISTINGUISHABLE KEY.

## WHAT COLOUR IS YOUR HALO?



SILVER

GRAPHITE

PEARL

ROSE GOLD

GOLD

SAPPHIRE

EMERALD

RUBY

CODE:  
HAL25  
BSL

CODE:  
HAL25  
BGT

CODE:  
HAL25  
BPL

CODE:  
HAL25  
BRG

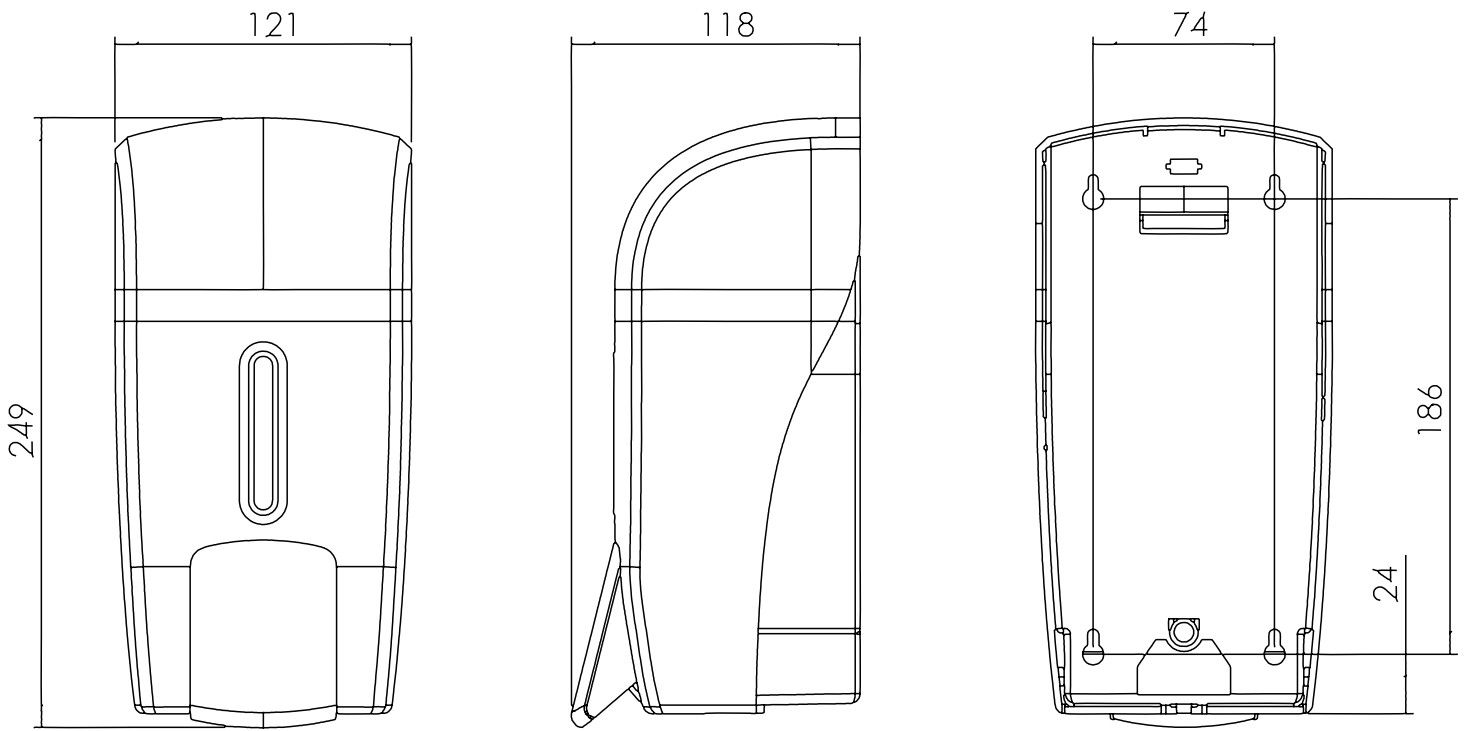
CODE:  
HAL25  
BGD

CODE:  
HAL25  
BSP

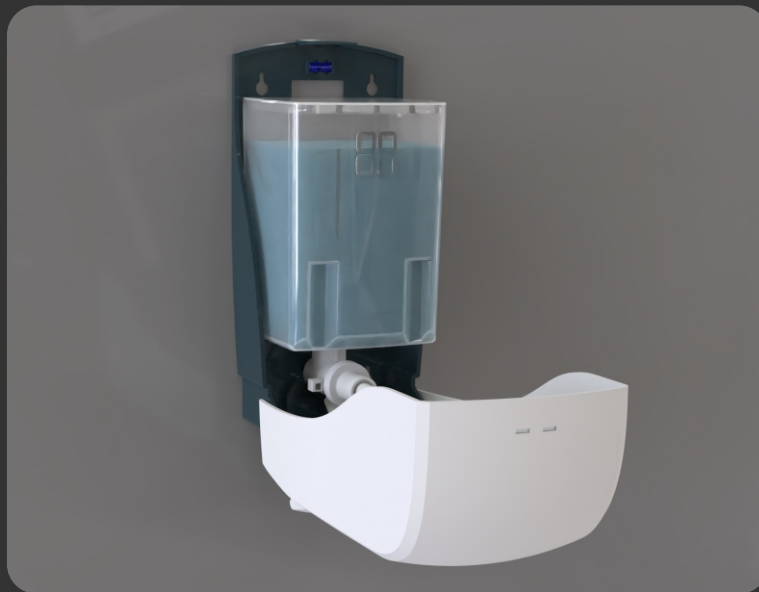
CODE:  
HAL25  
BED

CODE:  
HAL25  
BRB

DIMENSIONS IN MM:-



OPEN VIEW OF DISPENSER:-



THE SYMBOL OF A GENUINE HALO DISPENSER