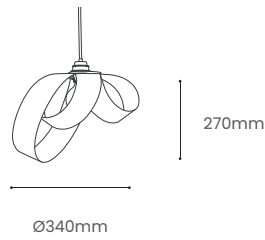


VERSO PENDANT

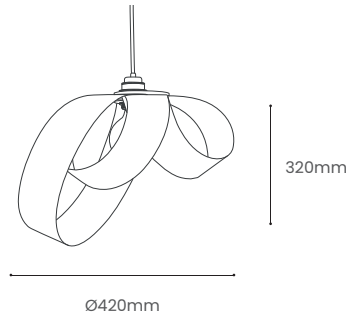
Product Specification

Tom Raffield

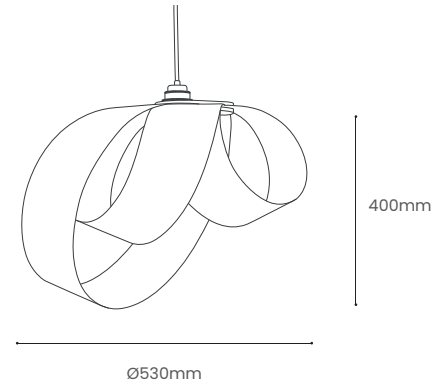
Verso Pendant Small



Verso Pendant



Verso Pendant Large



An ornate marriage of balance and light, the Verso Range is an asymmetrical wooden work of art that welcomes a fresh perspective. Forged from the Latin word to 'spin', the sculptural Verso Lighting Range calls back to nature and showcases the gravity defying, swooping motion of falling leaves in the wind.

Looping to create eye-catching asymmetry, the Verso Pendant is cleverly crafted from one continuous length of sustainably sourced FSC timber that soars around the warm glow of an exposed bulb to cast a beautiful blend of light and shadow across hallways, living spaces and bedrooms alike. Igniting creativity within your space, the Verso Range looks different from every angle and exhibits its varying form to add playful personality to a wide range of interiors.

Alight your space with art.

Product Type : Pendant Light	SKU	Wood types	Dimensions L x W x H (mm)		Weight (kg)	
			Unboxed	Boxed	Unboxed	Boxed
Verso Pendant Small	TR-VERS-P-A-SML	Ash	Ø340 x 270		0.16	
	TR-VERS-P-O-SML	Oak				
	TR-VERS-P-W-SML	Walnut				
Verso Pendant	TR-VERS-P-A	Ash	Ø420 x 320		0.25	
	TR-VERS-P-O	Oak				
	TR-VERS-P-W	Walnut				
Verso Pendant Large	TR-VERS-P-O-LRG	Oak	Ø530 x 400		0.51	
	TR-VERS-P-W-LRG	Walnut				
Materials	Ash	Oak	Walnut	Other materials		
Finish	Non-toxic, hard wearing water based varnish - satin					
Wiring kit option : 1	Black ceiling rose and brass bulb holder		Ceiling kit	Flex	Recommended light bulb	
			Ceiling rose: Ø100mm E27 (240v) / E26 (110v)	Flex colour: black fabric Flex length: 2m (Adjustable)	Max 25W LED	
Wiring kit option : 2	Brushed steel ceiling rose and bulb holder		Ceiling kit	Flex	Recommended light bulb	
			Ceiling rose: Ø100mm E27 (240v) / E26 (110v)	Flex colour: light grey fabric Flex length: 2m (Adjustable)	Max 25W LED	
Care information	Dusting your light regularly and with a light feather duster should keep your light looking clean, otherwise wipe with a damp cloth and remove any moisture with a dry cloth. Gentle furniture polishes can also be used.					
Additional information	<ul style="list-style-type: none"> This light can be used with your existing E27/E26 pendant fitting. Suitable for use on 240v and 110v circuits. A shade ring adaptor can be fitted so the light can be used on a bayonet (B22) pendant fitting. Installation instructions included. 					

Tom Raffield Ltd, F3 Church View Business Park, Bickland Water Rd, Falmouth TR11 4FZ, UK
tomraffield.com contact@tomraffield.com +44 (0) 1326 722725 #tomraffield @tomraffield

Due to the character of handcrafted natural products, all dimensions are approximate. Wood colour may slightly vary.
All products, prices and leadtimes are correct at time of print and are subject to change without notice.