

# ROBOOTER

Driving To A Better Life



# Contents

**01** Product Introduction

**04** Product Structure

**02** Product Innovation

**05** Product Parameters

**03** Product Highlights

**06** How to Use

PART 01

# Product Introduction



Main Introduction | Feature | Functions | Version



## Main Features

- High comfort
- Independent suspension spring
- Longer battery life
- Ergonomic chair
- Smart remote control
- Dual storage space

## Overall product introduction

The Robooter E40 is a sleek, foldable indoor electric wheelchair that seamlessly combines performance, portability, and style. Designed for easy daily use with comfortable leg space and a small turning radius, it is powered by a robust 20AH lithium-ion battery, covering an impressive 14.3 miles on a single charge. With smooth maneuverability on various floor surfaces, its lightweight design makes it ideal for transportation in cars, airplanes, and more.

## Feature



Ergonomic Chair



Remote Control



Flip-up footrest design



## Product Features



Quality craftsmanship

Safety

Comfort



- Dual storage space
- Touch-controlled lighting
- 2-step folding
- Beginner mode
- Ergonomic chair
- Smart remote control

PART 02

# Product Innovation



Liquid die forging process | Safety assistance system | Intelligent control

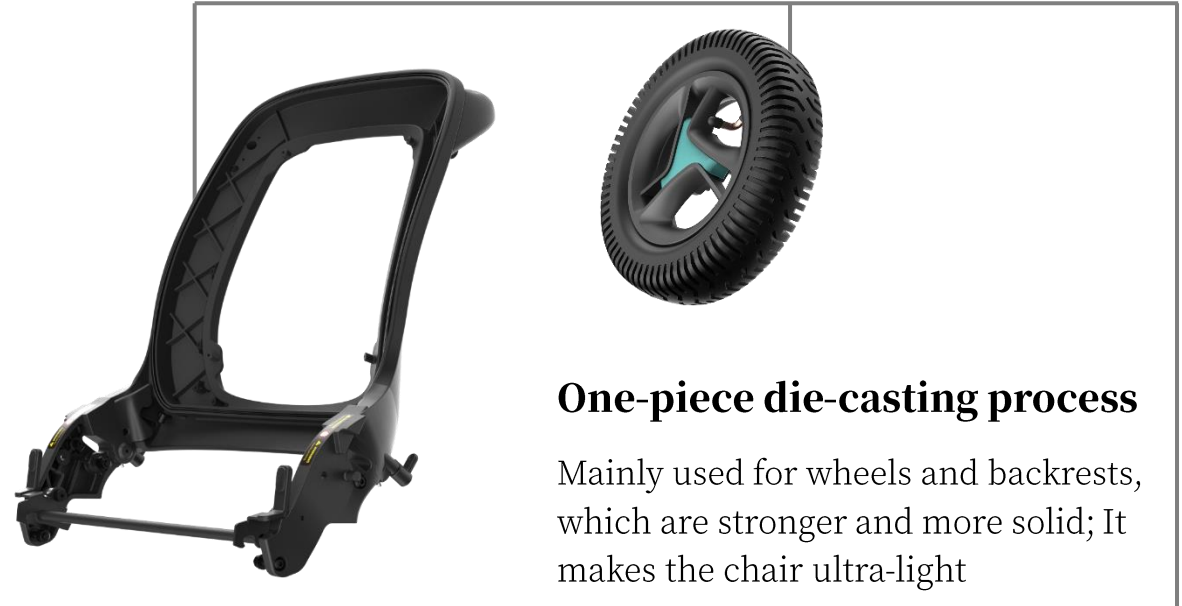


## Product Innovation



### Liquid die forging process

Liquid die forging (squeeze casting)  
Toughness, strong load-bearing capacity, strong stamping resistance



### One-piece die-casting process

Mainly used for wheels and backrests, which are stronger and more solid; It makes the chair ultra-light

## What is one-piece die-casting?

By redesigning the multiple independent parts that need to be assembled in the original design and using a super-large die-casting machine to die-cast them in one go, we can directly obtain complete parts.

## Foldable Power Wheelchair | Robooter E40

### Driving safety assistance system

#### Hill-hold locking safety system

Automatic electromagnetic brake protection system  
Stay on the slope safely without sliding down.

Upgraded braking system based on kinematic and dynamic models

Intelligent speed control based on the brushless drive

Intelligent speed limit based on brushless motor drive

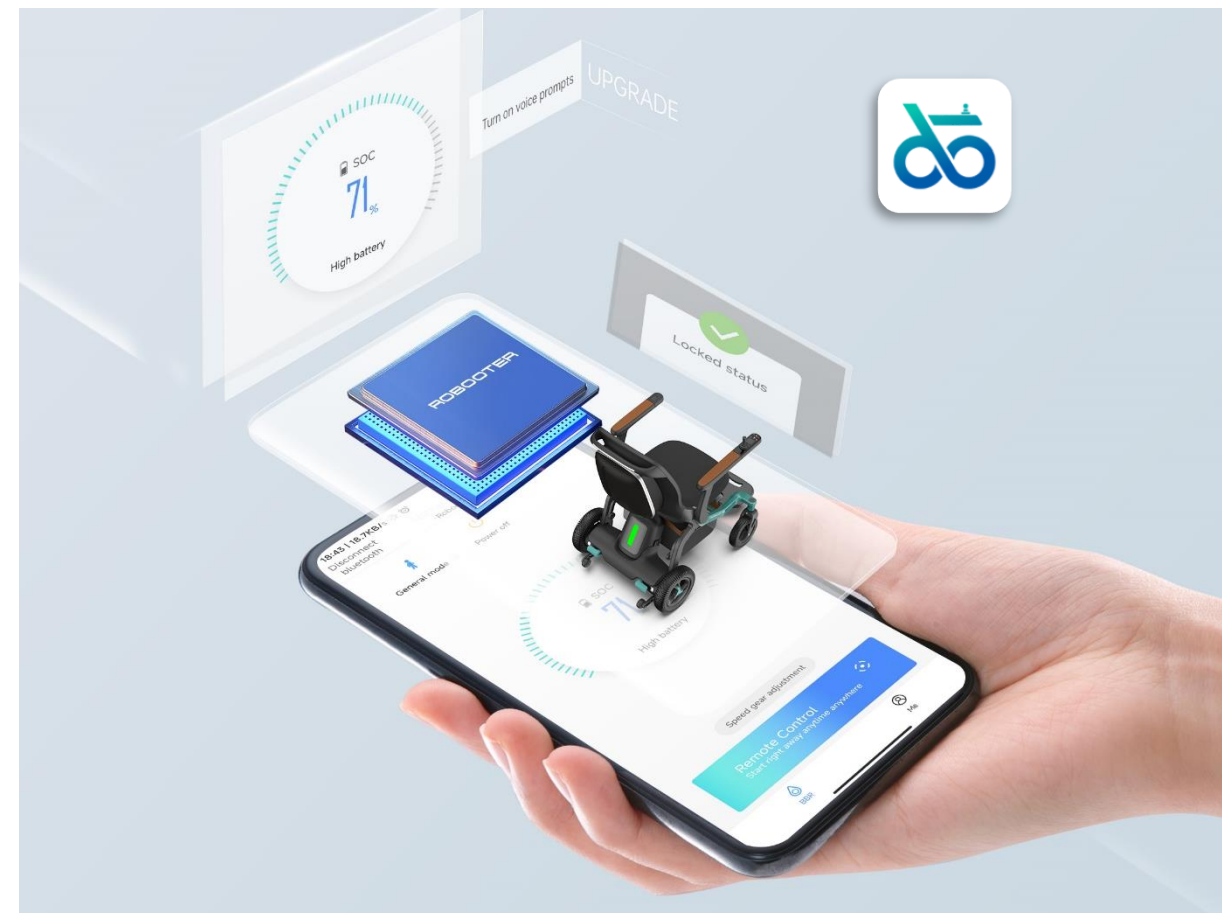
Automatic hill holding when release the joystick





### App Remote Control

- 01** Bluetooth Connection: Link your phone via Bluetooth to control the scooter remotely in real-time and view driving parameters through the app.
- 02** Cruise Control: Keep moving forward without pushing the joystick. Steering is controlled by the joystick.
- 03** Novice Mode: Speed is limited to suit the user's comfort, designed for the elderly.
- 04** Power Saving Mode: Auto shut-off after 30 minutes of inactivity to save power.
- 05** Precise Joystick Control: Smooth acceleration, quick deceleration, easy turning. Release the joystick to brake (braking distance: indoor  $\leq 1.0\text{m}$ , outdoor  $\leq 1.5\text{m}$ ).



PART 03

# Product Highlights



Dual storage space | Ergonomic chair | Two-step folding | Stylish appearance

Touch-controlled soft light | Battery light | Multiple control methods | 2 charging methods

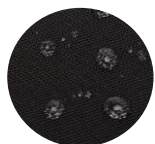


## Product Highlights

### 1. Double storage space



Reflective waterproof zipper



External Oxford cloth, water-resistant and wear-resistant



Internal EVA hot-pressed molding  
Strong shape, corrosion resistance, shockproof, buffering, heat preservation, moisture-proof



Large capacity backpack  
Load-bearing: 5KG



6 compartments backpack can hold A4 paper, 14-inch computer  
IPX4 waterproof rating

Bottom mesh bag  
Load-bearing: 5KG



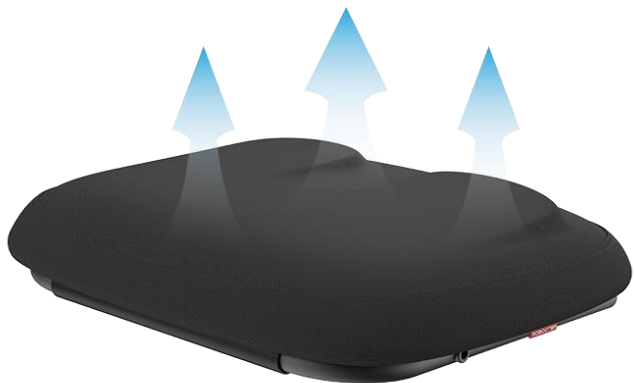
Dirt-resistant, removable and washable



**The total storage space is about 30L, equivalent to an 18-inch suitcase**

## Ergonomic chair

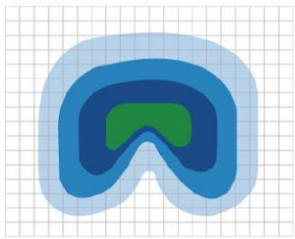
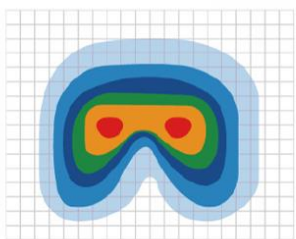
Highly elastic, removable seat cushion



## High resilience sponge cushion

« High pressure High pressure »

« High pressure High pressure »



## Excellent comfort

The 3D high-resilience sponge provides precise and stable support for the pelvis, reduces pressure on the support surface, helps disperse body pressure, reduces pain, and allows users to sit longer.

- Based on the correct sitting posture, create a 106-degree chair back and a 4-degree reclining bionic curve design;
- Highly resilient detachable seat cushion.



Correct and comfortable sitting posture improves sleep and heart rate

## Leather armrests; Adjustable footrests

**01** Soft and comfortable leather armrests



**02** Two gears for adjustable footrest



Remote control device  
Switched between left and right handrests  
Handrail surface covered with leather



## Foldable Power Wheelchair | Robooter E40

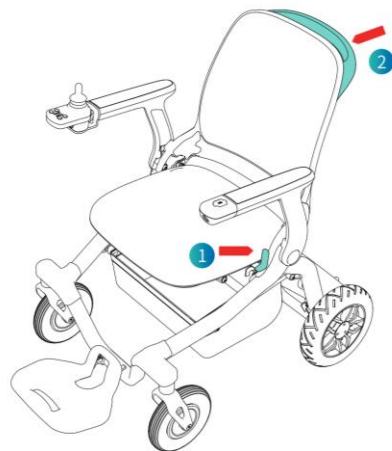
ROBOTEER

### Two-step folding

#### Easy to Fold

Step 1, please press the foldingswitch with one hand.

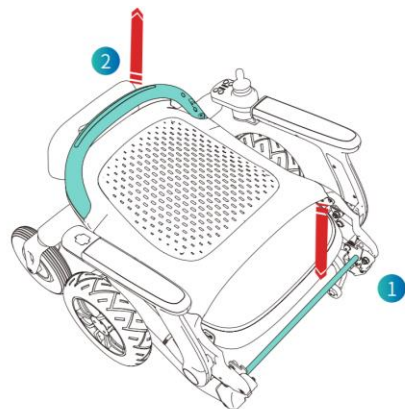
Step 2, push and lift the handle with the other hand until the electric wheelchair is fully folded.



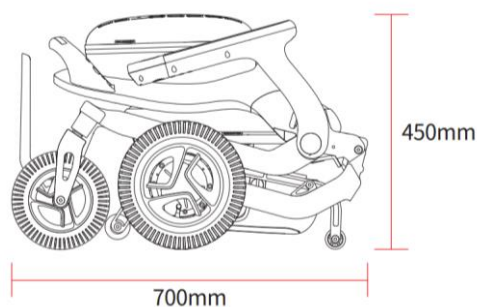
#### Easy to unfold

Step 1, press the folding bar down with one hand.

Step 2, pull the handle up with the other hand until the electric wheelchair is fully deployed.



**Folding Size:**  
**L700\*W624\*H450mm**



**After folding, similar as a 28-inch suitcase (L70cm\*W47cm \*H27cm) 12Ah Lithium batteries, UN38.8 certified, for the plane**

### Fashionable appearance



- The basic exterior colors are green and white, avoiding the all-black color scheme and satisfying a more diverse aesthetic.
- The product features a sleek, lightweight design with a screwless, seamless body for a simple, elegant look.
- The grinding flat welding process creates a smooth, integrated structure.
- While the silver powder coating adds a delicate, glossy finish that shines in the sunlight.



## Product Highlights

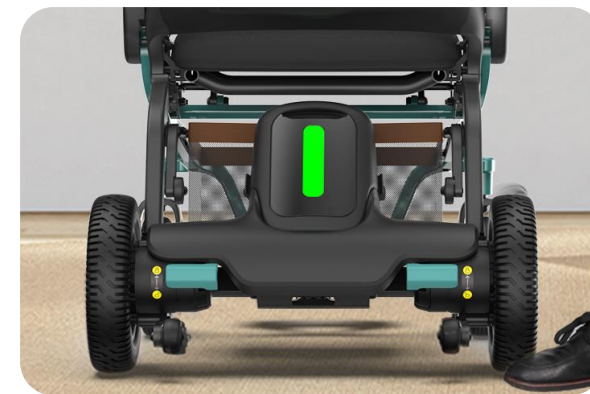
### Touch soft light

When touch the bottom of the handrail, the handrail lighting will turn on.



### Battery Light

Provide users with night reminder function to improve travel safety.



### Multiple control methods

APP interconnection  
iOS and Android  
compatible



Upper Controller  
with Button



App Controller



Remote Controller

### Two ways to charge

- Connect the armrest charging port to charge the entire chair. Charging for removable battery
- BMS intelligent battery management system with longer battery life and more accurate power display.



Charging removable battery



Charging the port on the armrest



PART 04

# Product Structure



# Foldable Power Wheelchair | Robooter E40

ROBOOTER



PART 05

# Product Parameter



## Foldable Power Wheelchair | Robooter E40

ROBOOTER



Parameter	Kilometer version	Mile version
Unfolded Size(Mm)	1000 (L)X 624 (W) X 930 (H) MM	(L)29"x(w)24"x(H)36"
Folded Size(Mm)	700 (L)X 624 (W) X 450 (H) MM	(L)27"x(w)24"x(H)17.7"
Seat Size(Mm)	700 (H)X 440 (W) X 440 (D) MM	(H) 27" (w)17.3"x(D)17.3"
Cushion Size(Mm)	440 (L) X 440 (W) MM	(L)17.3"x (w)17.3"
Folding Method	MANUALLY FOLDING	MANUALLY FOLDING
Max Weight Capacity	150KG	330lbs.
Battery Capacity	20AH	20AH
Endurance Mileage	23KM	14miles (7miles with 10ah battery)
Max Speed	8KM/H	4.4mph
Barrier Crossing Height	4CM	1.6"
Max Ditch Width	10CM	4"
Gradeability	9°	9°
Front Wheel Material	HONEYCOMB PU TIRE	HONEYCOMB PU TIRE
Rear Wheel Material	PNEUMATIC TIRES	PNEUMATIC TIRES
Product Net Weight (Kg)	25KG	47.5lbs.
Battery Weight	3.4KG	7.5lbs.
Color	Green, White	Green, White

PART 06

# Usage Guide

Power on/off | Fold/unfold | Beginner mode | Lock function  
| Cruise control | Push mode



## Usage Guide



## User guide

### Turn on/off

- 01** Power on/off by pressing the power button for 3 seconds;
- 02** Power on/off with a prompt sound;
- 03** On the normal mode or novice mode, you can remotely shut down through the APP;
- 04** The power on/off animation matches the power on/off audio rhythm.

### Fold/Expand

- 01** The folding buttons are located on both sides of the seat;
- 02** Press the folding switch with one hand, push the backrest armrest forward and upward with the other hand, and then press it down to complete the folding;
- 03** Press the folding switch with one hand, pull up and push the backrest armrest with the other hand to complete the unfolding.

### Novice Mode

- 01** Click "FN" to enter the novice mode, and click "FN" again to exit the novice mode;
- 02** In the novice mode, the fastest speed is 2nd gear;
- 03** This function is specially customized for the elderly.



Turn on/off



Step 1



Step 2



Novice Mode

## User guide

### Lock function

- 01** After powering on, the machine will enter the lock function by default;
- 02** Click the "lock button" to unlock it, and you can control the joystick to drive;
- 03** Every time you enter the lock mode, the gear position will automatically drop to 1st gear.

### Cruise control

- 01** Turn on the machine and unlock it.
- 02** Enable cruise control in the app.
- 03** Press and hold the accelerator for 3+ seconds to activate cruise control, confirmed by a sound prompt.
- 04** Push the joystick forward to start cruising.
- 05** If the joystick is not operated, a prompt will sound: 'Timeout, cruise control exited.'

### Pushing Mode

- 01** Press and hold both the acceleration and deceleration buttons to enter Push Mode, indicated by a 'double-hand boost' symbol on the screen and a voice prompt.
- 02** To exit, push the joystick, press any of the four buttons (horn, mode, SOS, lock), and a voice prompt will say 'Exiting Push Mode.'
- 03** After exiting, the system defaults to Lock Mode, regardless of previous settings.
- 04** Additionally, with the power off, pressing the red brake button next to the rear wheel will also activate Push Mode, even when the battery is low



Lock function



Cruise control



Pushing Mode



# Usage Guide



Charging detection function	<ol style="list-style-type: none"> <li>1. When the device is plugged into the charger, the device will announce that it is charging. The LCD power indicator will display the charging status in the form of a running light;</li> <li>2. During charging, it will be locked indefinitely. The joystick and APP are prohibited from controlling the wheelchair motor.</li> </ol>
Power display function	<ol style="list-style-type: none"> <li>1. The power display light on the device shows the power in real time in 5 grids;</li> <li>2. <math>\geq 0=1</math> grid / <math>\geq 20=2</math> grids / <math>\geq 40=3</math> grids / <math>\geq 60=4</math> grids / <math>\geq 80=5</math> grids;</li> <li>3. The APP shows the power in percentage.</li> </ol>
Power saving mode	<ol style="list-style-type: none"> <li>1. If the device including buttons, joysticks, APP operation is not operated for 30 minutes, it will automatically shut down. It is the same as long pressing the power button.</li> </ol>
Wheelchair speed display	<ol style="list-style-type: none"> <li>1. LCD displays the wheelchair speed;</li> <li>2. The speed display value has an accuracy of plus or minus 10%.</li> </ol>
Bluetooth connection status	<ol style="list-style-type: none"> <li>1. When Bluetooth is not connected, the Bluetooth indicator on the LCD is 'not displayed' ;</li> <li>2. When Bluetooth is connected, the Bluetooth indicator on the LCD is 'displayed' .</li> </ol>
APP remote upgrade function	<ol style="list-style-type: none"> <li>1. Device software can be upgraded through APP.</li> </ol>
APP remote control function	<p>The app connects to the device via Bluetooth and allows remote control. Joystick control takes priority over app control. App-controlled speed is lower than the device's normal speed (percentage). The app cannot enter remote control mode unless the device is in locked mode (app cannot control the device's lock status).</p> <p>While in remote control mode (device in locked state), pushing the joystick or pressing any of the following buttons—horn, mode, SOS, lock, gear+ or gear—will revoke app control and exit remote control mode.</p> <p>The app remote control speed is set to 50% of the device's first gear speed (remote control only works when locked, and the speed is automatically set to first gear).</p>
APP configures device driving parameters	<p>App can set 2 highest gears; Default is high gear.</p>
APP Voice Settings	<ol style="list-style-type: none"> <li>1. The APP can control the voice prompt and voice alarm switch;</li> <li>2. The APP can set the voice volume with three levels;</li> <li>3. During the reversing process, it will play once every 10 seconds.</li> </ol>



[www.robooter.com](http://www.robooter.com)

## CONTACT US



Email

[info@robooter.com](mailto:info@robooter.com)



Web

<https://www.robooter.com>

<https://www.bangbangrobotic.com>