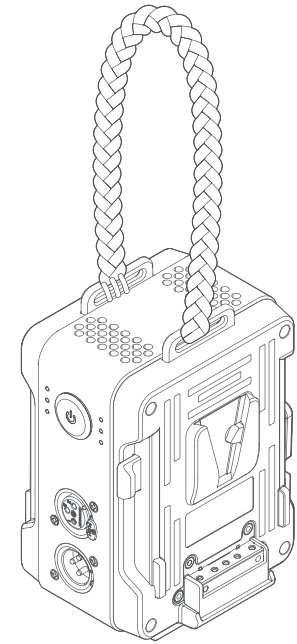




说明书版本：V1.0  
Instruction Manual Version: V1.0



**DBP-V**  
Godox 电池挂板  
Godox Dual Battery Plate  
使用手册  
Instruction Manual

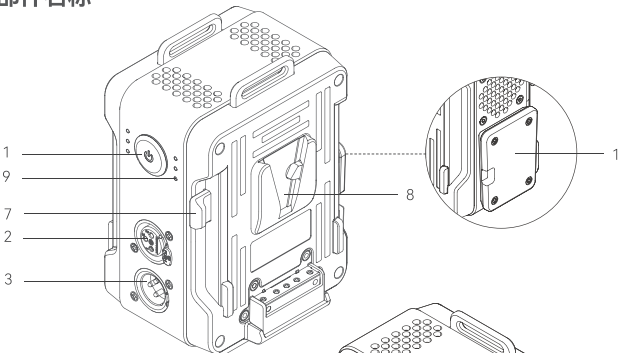
### 重要的安全说明及注意事项

1. 使用前必须阅读并理解产品说明书。
2. 请勿使用损坏的设备或设备配件。待专业维修人员检查维修，确认设备正常方可使用。
3. 在使用过程中，如果本产品由于跌落、受到挤压或遭受强烈冲击而造成外壳破裂的，请勿继续使用，以免因接触到内部电子元件而受到电击伤害。
4. 本设备没有防水性能，请让设备保持干燥，请勿将本设备浸入水中或其他液体中。设备需安装在干燥且通风处，避免在雨天、潮湿、多尘或过热环境下使用。请勿将任何物体置于灯具上或使液体流入灯具内部，以免发生意外。
5. 请勿私自拆卸产品，如产品出现故障，须由本公司或授权的维修人员进行检查维修。
6. 安全说明依据本厂严格测试制定，设备设计和规格如有变更，恕不另行通知。客户可以上神牛官网查看最新的电子版说明，了解产品最新资讯。
7. 经发现，擅自检修设备，将取消一年保修期，维修需要收取相关费用。
8. 对于不规范操作引起的机器故障不在保修范围内。
9. 为确保人身安全，请选择标准合规的电池，如果电池漏液、变色、变形、冒烟或发出异味，请立刻将其取出，在取出过程中请小心，以免烫伤。请勿使用任何变形或改造过的电池，禁止加热或焊接电池，如果继续使用，可能会引起火灾、触电或皮肤烫伤。

### 前言

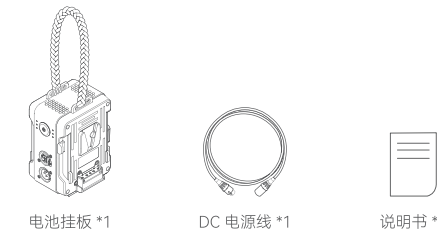
感谢您购买神牛产品！  
神牛全新推出 V 口电池挂板，支持双板并联使用，专为 ≤ 600W LED 影视灯提供便捷的供电方案。

### 部件名称



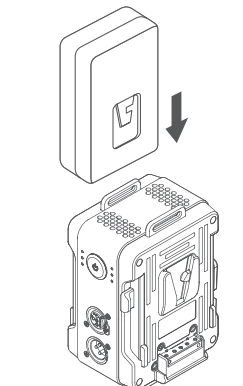
1. 开关按键
2. DC OUT 接口
3. DC IN 接口
4. 电池推制 ①
5. V 口电池槽 ①
6. 电池电量指示灯 ①
7. 电池推制 ②
8. V 口电池槽 ②
9. 电池电量指示灯 ②
10. 快装装置

### 物品清单

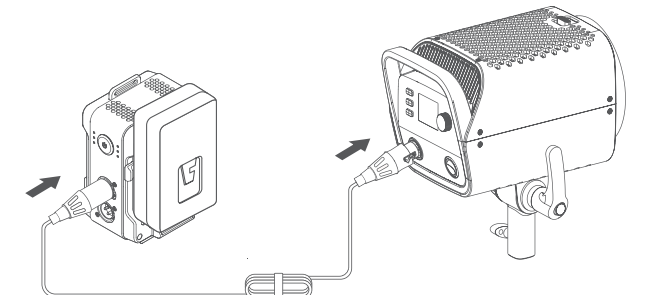


### 使用方法 (以 LA300R 灯具为例)

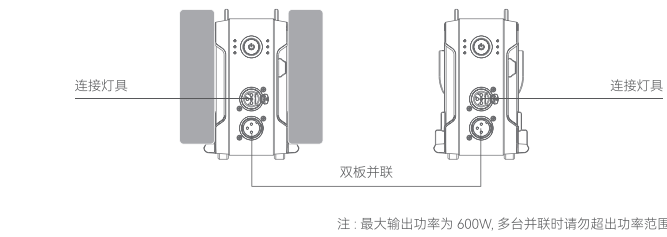
1. 将另购的 V 口电池插入电池槽，按下开关按键，电池电量指示灯随即亮起，可查看电池电量。  
注：由于不同品牌电池电压存在略微差别，指示灯对于电量剩余指示非绝对精准。



2. 电池挂板 DC OUT 接口插入 DC 电源线，另一头插入 LA300R 的 DC 接口，灯具可开机使用。



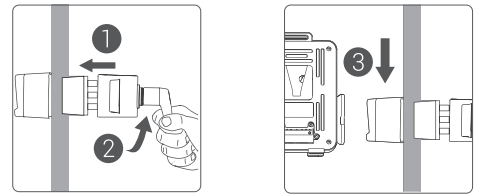
3. 电池挂板 DC IN 接口接入另购的连接线，与另一台电池挂板并联使用，多台灯具同时供电。



注：最大输出功率为 600W，多台并联时请勿超出功率范围。

### 安装至灯架

另购控制器固定件，将把手拧松后插入另购的灯架杆，顺时针旋转把手进行锁紧，最后将电池挂板快装装置对准卡槽插入即可。



### 规格参数

型号	DBP-V
支持电池电压	12.8V, 14.4V, 14.8V, 26V, 28V
DC OUT 接口	48V
DC IN 接口	48V
最大输出功率	600W
工作环境温度	-20~45°C
尺寸	≈ 96mm*115mm*150mm
净重	≈ 818g

规格和参数如有变更，恕不另行通知。

### 产品保修

尊敬的用户，本保修卡是申请保修服务的重要凭证，请您配合销售商填写并妥善保管，谢谢！

产品信息	型号	产品条码
用户信息	姓名	联系电话
	通信地址	
销售商信息	名称	
	联系电话	
	通信地址	
	销售日期	
备注		

注：此表应由销售商盖章确认。

### 产品信息

本文件适用于相关《产品保修信息》(见后面说明)所列产品,其他非属此范围的产品或部件(如促销品、赠品及其他出厂后附加的部件等)不在此保修承诺内。

### 保修期

产品及部件的相应保修期按相关的《产品保修信息》执行。保修期自产品首次购买日起算，购买日以购买产品时保修卡登记日期为准。

### 如何获得保修服务

您可直接与产品销售商或授权服务机构联系，也可拨打神牛产品售后服务电话，与我们联系，由我们的服务人员为您安排服务。申请保修时，您应提供有效的保修卡作为保修凭证，方可获得保修。如您不能提供有效的保修卡，则在我们确认产品或部件属于保修范围的情况下，也可以为您提供保修，但这不作为我们的义务。

### 不适用保修情况

如产品存在下列情况，本文件项下的保证和服务将不适用：①产品或部件超过相应保修期；②错误或不当使用、维护或保管导致的故障或损坏，如：不当搬运；非按产品合理预期用途使用；不当插拔外接设备；跌落或外力挤压；接触或暴露于不适当温度、溶剂、酸碱、水浸或潮湿环境；③由非神牛授权机构或人员安装、修理、更改、添加或拆卸造成的故障或损坏；④产品或部件原有识别信息被修改变更或除去；⑤无有效保修卡；⑥使用非合法授权、非标准或非公开发行的软件造成的故障或损坏；⑦因不可抗力或意外事件造成的故障或损坏；⑧其他非因产品本身质量问题导致的故障或损坏。遇上述情况，您应向相关责任方寻求解决，神牛对此不承担任何责任。因非在保修期或保修范围内的部件、附件或软件导致产品不能正常使用的，不是保修范围内的故障。产品使用过程中正常的脱色、磨损和消耗，不是保修范围内的故障。

### 产品保修和服务支持信息

产品的保修期和服务类型按以下《产品保修信息》执行：

产品类别	选项名称	保修期 (月)	保修服务类型
部件	电路板	12	客户送修
其他	如外壳、保护罩、锁紧装置、包装等。	无	无保修

神牛产品售后服务电话 0755-29609320-8062

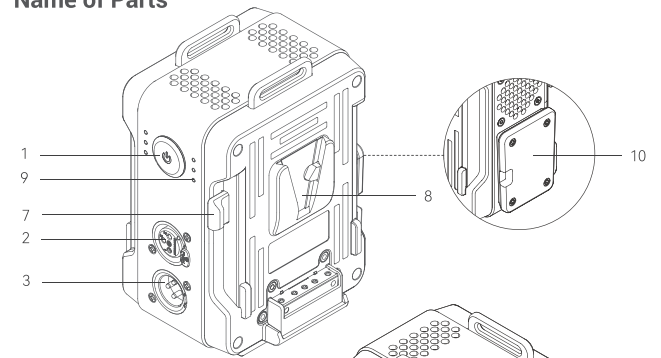
## Safety Instructions and Attentions

- Before use, please read and understand these instructions and attentions.
- Do not use damaged equipment or accessories, and wait for professional maintenance personnel to check and repair to confirm being normal before use.
- During using, if the casing of this product is broken due to being dropped, squeezed or subjected to strong impact, please do not use it, so as to avoid electric shock injury due to contact with internal electronic components.
- This equipment is not waterproof, please keep it dry and do not immerse it in water or other liquids. The equipment should be installed in a dry and ventilated place, and avoid using it in rainy, humid, dusty or overheated environments. Do not place any objects on the lamp or let liquid flow into the lamp to avoid accidents.
- Do not disassemble the product without permission. If the product fails, it must be checked and repaired by authorized maintenance personnel.
- The safety instructions are formulated according to the strict testing of the factory, and the design and specifications of the equipment are subject to change without prior notice. For latest product information, please check the GODOX website and view latest electronic instruction.
- If it is found that the equipment is repaired without authorization, the one-year warranty period will be cancelled and relevant fees will be charged for maintenance.
- Machine failures caused by non-standard operation are not covered by the warranty.
- To ensure personal safety, please choose standard compliant batteries, if the battery leaks, discolors, deforms, smokes or emits a strange odor, please remove it immediately, and be careful in the process of removing it to avoid burns. Do not use any deformed or modified batteries, heating or soldering of batteries is prohibited, which may cause fire, electric shock or skin burns if continued to be used.

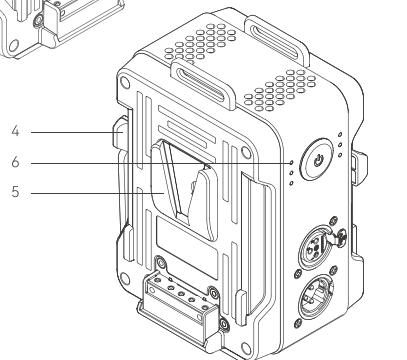
## Foreword

Thank you for purchasing!  
Godox's battery plate DBP-V supports parallel use and provides convenient power supply for LED lights no more than 600W.

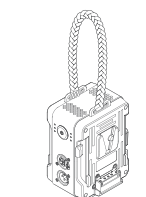
## Name of Parts



- Power Switch Button
- DC OUT Port
- DC IN Port
- Battery Pusher ①
- V-mount Battery Slot ①
- Battery Level Indicator ①
- Battery Pusher ②
- V-mount Battery Slot ②
- Battery Level Indicator ②
- Quick-install Device



## What's Inside



Battery Plate \*1



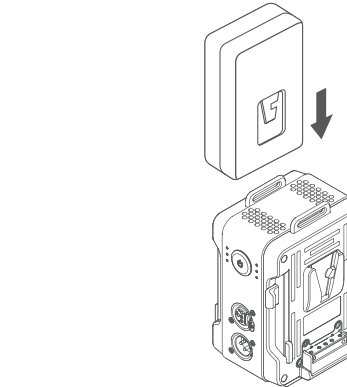
DC Power Cord \*1



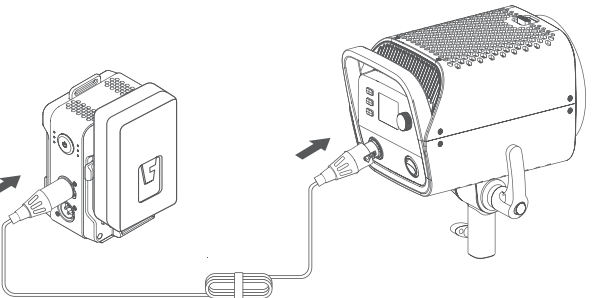
Instruction Manual \*1

## Using Instructions (take LA300R as an example)

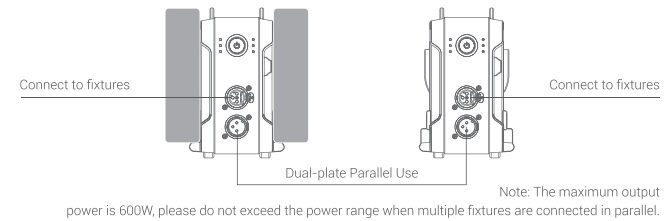
- Insert the separately purchased V-mount battery into the battery slot, press the power switch button, the battery level indicator will light up immediately to check the battery level.  
Note: Due to the slight difference in battery voltage between different brands, the indicator is not absolutely accurate in indicating the remaining battery power.



- Insert the DC power cord into the DC OUT port of the battery plate, and the other end into the DC port of the LA300R, and the fixture can be turned on and used.

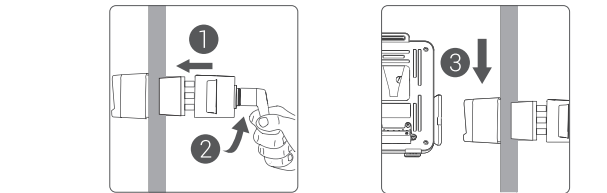


- Connect two battery plates by inserting the optional connecting cable into their DC IN ports to achieve parallel use, and multiple fixtures can be powered at the same time.



## Mount onto the Light Stand

Unscrew the handle of the optional controller mounting device and insert it into the optional light stand rod, rotate the handle clockwise to lock, and then insert the battery plate quick-install device into the slot.



## Technical Data

Model	DBP-V
Supported Battery Voltages	12.8V, 14.4V, 14.8V, 26V, 28V
DC OUT Port	48V
DC IN Port	48V
Max. Output Power	600W
Working Environment Temperature	-20~45°C
Dimension	≈3.78" * 4.53" * 5.91"
Net Weight	≈818g

Specifications and data may subject to changes without notice.

## Warranty

Dear customers, as this warranty card is an important certificate to apply for our maintenance service, please fill in the following form in coordination with the seller and safe-keep it. Thank you!

Product Information	Model	Product Code Number
	Name	Contact Number
Customer Information	Address	
	Name	
Seller Information	Contact Number	
	Address	
	Date of Sale	
Note		

Note: This form shall be sealed by the seller.

## Applicable Products

Applicable ProductsThe document applies to the products listed on the Product Maintenance Information (see below for further information). Other products or accessories (e.g. promotional items, giveaways and additional accessories attached, etc.) are not included in this warranty scope.

## Warranty Period

The warranty period of products and accessories is implemented according to the relevant Product Maintenance Information. The warranty period is calculated from the day (purchase date) when the product is bought for the first time. And the purchase date is considered as the date registered on the warranty card when buying the product.

## How to Get the Maintenance Service

If maintenance service is needed, you can directly contact the product distributor or authorized service institutions. You can also contact the Godox after-sale service call and we will offer you service. When applying for maintenance service, you should provide valid warranty card. If you cannot provide valid warranty card, we may offer you maintenance service once confirmed that the product or accessory is involved in the maintenance scope, but that shall not be considered as our obligation.

## Inapplicable Cases

The guarantee and service offered by this document are not applicable in the following cases: ① **The product or accessory has expired its warranty period;** ② **Breakage or damage caused by inappropriate usage, maintenance or preservation, such as improper packing, improper usage, improper plugging in/out external equipment, falling off or squeezing by external force, contacting or exposing to the improper temperature, solvent, acid, base, flooding and damp environments, etc;** ③ **Breakage or damage caused by non-authorized institution or staff in the process of installation, maintenance, alternation, addition and detachment;** ④ **The original identifying information of product or accessory is modified, alternated, or removed;** ⑤ **No valid warranty card;** ⑥ **Breakage or damage caused by using illegally authorized, nonstandard or non-public released software;** ⑦ **Breakage or damage caused by force majeure or accident;** ⑧ **Breakage or damage that could not be attributed to the product itself.** Once met these situations above, you should seek solutions from the related responsible parties and Godox assumes no responsibility. The damage caused by parts, accessories and software that beyond the warranty period or scope is not included in our maintenance scope. The normal discoloration, abrasion and consumption are not the breakage within the maintenance scope.

## Maintenance and Service Support Information

The warranty period and service types of products are implemented according to the following Product Maintenance Information:

Product Type	Name	Maintenance Period(month)	Warranty Service Type
Parts	Circuit board	12	Customer sends the product to designated site
Other Items	Lamp body, lamp cover, locking device, package, etc.	No	Without warranty

Godox After-sale Service Call +86-755-29609320(8062)

## FCC Statement

This device complies with part 15 of the FCC Rules. Operation is subject to the following two conditions:  
(1) This device may not cause harmful interference, and  
(2) this device must accept any interference received, including interference that may cause undesired operation.  
Any Changes or modifications not expressly approved by the party responsible for compliance could void the user's authority to operate the equipment.

## IC Warning

This device complies with Industry Canada licence-exempt RSS standard(s). Operation is subject to the following two conditions:  
(1) This device may not cause interference, and  
(2) This device must accept any interference, including interference that may cause undesired operation of the device.

Le présent appareil est conforme aux CNR d'Industrie Canada applicables aux appareils radio exempts de licence. L'exploitation est autorisée aux deux conditions suivantes:  
(1) l'appareil ne doit pas produire de brouillage, et  
(2) l'utilisateur de l'appareil doit accepter tout brouillage radioélectrique subi, même si le brouillage est susceptible d'en compromettre le fonctionnement

## Declaration of Conformity

GODOX Photo Equipment Co.,Ltd. hereby declares that this equipment are in compliance with the essential requirements and other relevant provisions of Directive 2014/35/EU, 2014/30/EU. They are allowed to be used in all EU member states. For more information of DoC, Please click this web link:  
<https://www.godox.com/eu-declaration-of-conformity/>



Wechat Official Account  
神牛微信公众号

深圳市神牛摄影器材有限公司

地址: 深圳市宝安区福海街道塘尾社区耀川工业园厂房2栋  
电话: 0755-29609320 (8062) 传真: 0755-25723423 邮箱: godox@godox.com

GODOX Photo Equipment Co., Ltd.

Addr.: Building 2, Yaochuan Industrial Zone, Tangwei Community, Fuhai Street, Bao'an District, Shenzhen 518103, China Tel: +86-755-29609320(8062) Fax: +86-755-25723423 E-mail: godox@godox.com

www.godox.com  
Made in China | 705-DBPV00-00

