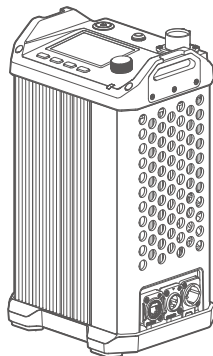
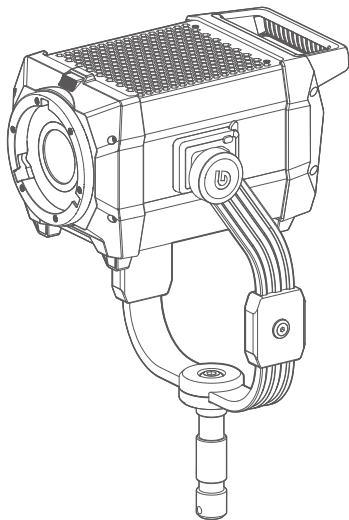


Godox



KNOWLED M600Bi PRO

DMX 模式表

DMX Mode Specification

DMX 模式表如有变更, 恕不另行通知, 可登录神牛官网 <https://www.godox.com.cn> 查看最新 DMX 模式表。
The DMX mode specification may subject to change without notice. Please check the latest electrical version on our official website
<https://www.godox.com>.

DMX控制优先关系：DMX > CRMX > Art -Net&sACN

01: CCT 8Bit 模式 & 03: CCT 16Bit 模式

| DMX 通道 | | 功能 | 参数名 | DMX值 8Bit | | 实际参数值 8Bit | | DMX值 16Bit | | 实际参数值 16Bit | |
|--------|-------|-----|-----|-----------|-----|------------|--------|------------|-------|-------------|--------|
| 8Bit | 16Bit | CCT | | 起始值 | 结束值 | 起始值 | 结束值 | 起始值 | 结束值 | 起始值 | 结束值 |
| 1 | 1-2 | | 亮度 | 0 | 255 | 0.0% | 100.0% | 0 | 65535 | 0.0% | 100.0% |
| 2 | 3-4 | | 色温 | 0 | 255 | 2800K | 6500K | 0 | 65535 | 2800K | 6500K |

增强通道：用户打开该功能后 DMX 模式将新增扩展功能通道，具体新增如下表。打开增强通道将占用更多通道，默认该设置为关闭状态。

| DMX 通道 | | 功能 | 参数名 | DMX值 8Bit | | 实际参数值 8Bit | DMX值 16Bit | | 实际参数值 16Bit |
|--------|---|-----|-----|-----------|-----|------------|------------|-----|-------------|
| 3 | 5 | CCT | 模式 | 0 | 9 | 常规模式 | 0 | 9 | 常规模式 |
| | | | | 10 | 19 | 高速模式 | 10 | 19 | 高速模式 |
| | | | | 20 | 29 | 低亮模式 | 20 | 29 | 低亮模式 |
| | | | | 30 | 255 | 预留 | 30 | 255 | 预留 |
| 4 | 6 | | 频率 | 0 | 9 | 1 | 0 | 9 | 1 |
| | | | | 10 | 19 | 2 | 10 | 19 | 2 |
| | | | | 20 | 29 | 3 | 20 | 29 | 3 |
| | | | | 30 | 39 | 4 | 30 | 39 | 4 |
| | | | | 40 | 49 | 5 | 40 | 49 | 5 |
| | | | | 50 | 59 | 6 | 50 | 59 | 6 |
| | | | | 60 | 69 | 7 | 60 | 69 | 7 |
| | | | | 70 | 79 | 8 | 70 | 79 | 8 |
| | | 80 | | 89 | 9 | 80 | 89 | 9 | |
| | | 90 | | 99 | 10 | 90 | 99 | 10 | |
| | | 100 | | 109 | 11 | 100 | 109 | 11 | |
| 5 | 7 | 平滑度 | 110 | 255 | 预留 | 110 | 255 | 预留 | |
| | | | 0 | 9 | 默认 | 0 | 9 | 默认 | |
| | | | 10 | 19 | 平滑 | 10 | 19 | 平滑 | |
| | | | 20 | 29 | 关闭 | 20 | 29 | 关闭 | |
| | | | 30 | 255 | 预留 | 30 | 255 | 预留 | |

02: FX 8Bit 模式 & 04: FX 16Bit 模式

| DMX 通道 | | 功能 | 参数名 | DMX值 8Bit | | 实际参数值 8Bit | | DMX值 16Bit | | 实际参数值 16Bit | |
|--------|-------|------|------|-----------|-----|------------|--------|------------|-------|-------------|--------|
| 8Bit | 16Bit | | | 起始值 | 结束值 | 起始值 | 结束值 | 起始值 | 结束值 | 起始值 | 结束值 |
| 1 | 1-2 | FX模式 | 亮度 | 0 | 255 | 0.0% | 100.0% | 0 | 65535 | 0.0% | 100.0% |
| 2 | 3 | FX光效 | 光效类型 | 0 | 9 | 光效关闭 | | 0 | 9 | 光效关闭 | |
| | | | | 10 | 19 | 闪光灯 | | 10 | 19 | 闪光灯 | |
| | | | | 20 | 29 | 雷闪电 | | 20 | 29 | 雷闪电 | |
| | | | | 30 | 39 | 多云 | | 30 | 39 | 多云 | |
| | | | | 40 | 49 | 坏灯泡 | | 40 | 49 | 坏灯泡 | |
| | | | | 50 | 59 | TV | | 50 | 59 | TV | |
| | | | | 60 | 69 | 蜡烛 | | 60 | 69 | 蜡烛 | |
| | | | | 70 | 79 | 火 | | 70 | 79 | 火 | |
| | | | | 80 | 89 | 烟花 | | 80 | 89 | 烟花 | |
| | | | | 90 | 99 | 爆炸 | | 90 | 99 | 爆炸 | |
| | | | | 100 | 109 | 焊接 | | 100 | 109 | 焊接 | |
| | | | | 110 | 119 | SOS | | 110 | 119 | SOS | |
| 120 | 255 | 预留 | | 120 | 255 | 预留 | | | | | |
| 3 | 4-5 | 闪光灯 | 色温 | 0 | 255 | 2800K | 6500K | 0 | 65535 | 2800K | 6500K |
| 4 | 6-7 | | 速度 | 0 | 255 | 1 | 100 | 0 | 65535 | 1 | 100 |
| 5 | 8-9 | | 模式 | 0 | 255 | 0闪光灯 | 1镓光灯 | 0 | 65535 | 0闪光灯 | 1镓光灯 |
| 3 | 4-5 | 雷闪电 | 色温 | 0 | 255 | 2800K | 6500K | 0 | 65535 | 2800K | 6500K |
| 4 | 6-7 | | 次数 | 0 | 255 | 随机 | 10 | 0 | 65535 | 随机 | 10 |
| 5 | 8-9 | | 频率 | 0 | 255 | 随机 | 20 | 0 | 65535 | 随机 | 20 |
| 3 | 4-5 | 多云 | 亮暗比例 | 0 | 255 | 30% | 90% | 0 | 65535 | 30% | 90% |
| 4 | 6-7 | | 速度 | 0 | 255 | 随机 | 100 | 0 | 65535 | 随机 | 100 |
| 3 | 4-5 | | 坏灯泡 | 色温 | 0 | 255 | 2800K | 6500K | 0 | 65535 | 2800K |
| 4 | 6-7 | 速度 | | 0 | 255 | 1 | 100 | 0 | 65535 | 1 | 100 |
| 3 | 4-5 | TV | | 速度 | 0 | 255 | 1 | 100 | 0 | 65535 | 1 |
| 3 | 4-5 | 蜡烛 | 速度 | 0 | 255 | 1 | 100 | 0 | 65535 | 1 | 100 |
| 3 | 4-5 | | 火 | 速度 | 0 | 255 | 1 | 100 | 0 | 65535 | 1 |
| 3 | 4-5 | 烟花 | 速度 | 0 | 255 | 1 | 100 | 0 | 65535 | 1 | 100 |
| 4 | 6-7 | | 余烬 | 0 | 255 | 1 | 100 | 0 | 65535 | 1 | 100 |
| 3 | 4-5 | 爆炸 | 色温 | 0 | 255 | 2800K | 6500K | 0 | 65535 | 2800K | 6500K |
| 4 | 6-7 | | 速度 | 0 | 255 | 1 | 100 | 0 | 65535 | 1 | 100 |
| 5 | 8-9 | | 余烬 | 0 | 255 | 1 | 100 | 0 | 65535 | 1 | 100 |
| 3 | 4-5 | 焊接 | 色温 | 0 | 255 | 2800K | 6500K | 0 | 65535 | 2800K | 6500K |
| 4 | 6-7 | | 速度 | 0 | 255 | 1 | 100 | 0 | 65535 | 1 | 100 |
| 3 | 5-6 | SOS | 色温 | 0 | 255 | 2800K | 6500K | 0 | 65535 | 2800K | 6500K |

增强通道：用户打开该功能后 DMX 模式将新增扩展功能通道, 具体新增如下表。打开增强通道将占用更多通道, 默认该设置为关闭状态。

| DMX 通道 | | 参数名 | DMX值 8Bit | | 实际参数值 8Bit | DMX值 16Bit | | 实际参数值 16Bit |
|--------|----|-----|-----------|-----|------------|------------|-----|-------------|
| 6 | 10 | 模式 | 0 | 9 | 常规模式 | 0 | 9 | 常规模式 |
| | | | 10 | 19 | 高速模式 | 10 | 19 | 高速模式 |
| | | | 20 | 29 | 低亮模式 | 20 | 29 | 低亮模式 |
| | | | 30 | 255 | 预留 | 30 | 255 | 预留 |
| 7 | 11 | 频率 | 0 | 9 | 1 | 0 | 9 | 1 |
| | | | 10 | 19 | 2 | 10 | 19 | 2 |
| | | | 20 | 29 | 3 | 20 | 29 | 3 |
| | | | 30 | 39 | 4 | 30 | 39 | 4 |
| | | | 40 | 49 | 5 | 40 | 49 | 5 |
| | | | 50 | 59 | 6 | 50 | 59 | 6 |
| | | | 60 | 69 | 7 | 60 | 69 | 7 |
| | | | 70 | 79 | 8 | 70 | 79 | 8 |
| | | | 80 | 89 | 9 | 80 | 89 | 9 |
| | | | 90 | 99 | 10 | 90 | 99 | 10 |
| | | | 100 | 109 | 11 | 100 | 109 | 11 |
| | | 110 | 255 | 预留 | 110 | 255 | 预留 | |
| 8 | 12 | 平滑度 | 0 | 9 | 默认 | 0 | 9 | 默认 |
| | | | 10 | 19 | 平滑 | 10 | 19 | 平滑 |
| | | | 20 | 29 | 关闭 | 20 | 29 | 关闭 |
| | | | 30 | 255 | 预留 | 30 | 255 | 预留 |

05: Ultimate 8Bit DMX 模式 & 06: Ultimate 16Bit DMX 模式

| DMX 通道 | | 功能 | 参数名 | DMX值 8Bit | | 实际参数值 8Bit | | DMX值 16Bit | | 实际参数值 8Bit | |
|--------|-------|------|------|-----------|-----|------------|--------|------------|-------|------------|--------|
| 8Bit | 16Bit | | | 起始值 | 结束值 | 起始值 | 结束值 | 起始值 | 结束值 | 起始值 | 结束值 |
| 1 | 1-2 | | 亮度 | 0 | 255 | 0.0% | 100.0% | 0 | 65535 | 0.0% | 100.0% |
| 2 | 3 | | 模式选择 | 0 | 9 | CCT模式 | | 0 | 9 | CCT模式 | |
| | | | | 10 | 19 | FX模式 | | 10 | 19 | FX模式 | |
| | | | | 20 | 255 | 预留 | | 20 | 255 | 预留 | |
| 3-6 | 4-10 | 颜色参数 | | | | | | | | | |

增强通道：用户打开该功能后 DMX 模式将新增扩展功能通道，具体新增如下表。打开增强通道将占用更多通道，默认该设置为关闭状态。

| DMX 通道 | | 功能 | 参数名 | DMX值 8Bit | | 实际参数值 8Bit | | DMX值 16Bit | | 实际参数值 16Bit | |
|--------|----|----|-----|-----------|-----|------------|--|------------|-----|-------------|--|
| 7 | 11 | | 模式 | 0 | 9 | 常规模式 | | 0 | 9 | 常规模式 | |
| | | | | 10 | 19 | 高速模式 | | 10 | 19 | 高速模式 | |
| | | | | 20 | 29 | 低亮模式 | | 20 | 29 | 低亮模式 | |
| | | | | 30 | 255 | 预留 | | 30 | 255 | 预留 | |
| 8 | 12 | | 频率 | 0 | 9 | 1 | | 0 | 9 | 1 | |
| | | | | 10 | 19 | 2 | | 10 | 19 | 2 | |
| | | | | 20 | 29 | 3 | | 20 | 29 | 3 | |
| | | | | 30 | 39 | 4 | | 30 | 39 | 4 | |
| | | | | 40 | 49 | 5 | | 40 | 49 | 5 | |
| | | | | 50 | 59 | 6 | | 50 | 59 | 6 | |
| | | | | 60 | 69 | 7 | | 60 | 69 | 7 | |
| | | | | 70 | 79 | 8 | | 70 | 79 | 8 | |
| | | | | 80 | 89 | 9 | | 80 | 89 | 9 | |
| | | | | 90 | 99 | 10 | | 90 | 99 | 10 | |
| | | | | 100 | 109 | 11 | | 100 | 109 | 11 | |
| | | | | 110 | 255 | 预留 | | 110 | 255 | 预留 | |
| 9 | 13 | | 平滑度 | 0 | 9 | 默认 | | 0 | 9 | 默认 | |
| | | | | 10 | 19 | 平滑 | | 10 | 19 | 平滑 | |
| | | | | 20 | 29 | 关闭 | | 20 | 29 | 关闭 | |
| | | | | 30 | 255 | 预留 | | 30 | 255 | 预留 | |

Ultimate 8Bit DMX 模式 & Ultimate 16Bit DMX 模式中 CCT 参数

| DMX 通道 | | 功能 | 参数名 | DMX值 8Bit | | 实际参数值 8Bit | | DMX值 16Bit | | 实际参数值 16Bit | |
|--------|-------|-----|-----|-----------|-----|------------|-------|------------|-------|-------------|-------|
| 8Bit | 16Bit | CCT | | 起始值 | 结束值 | 起始值 | 结束值 | 起始值 | 结束值 | 起始值 | 结束值 |
| 3 | 4-5 | | 色温 | 0 | 255 | 2800K | 6500K | 0 | 65535 | 2800K | 6500K |

Ultimate 8Bit DMX 模式 & Ultimate 16Bit DMX 模式中 FX 参数

| DMX 通道 | | 功能 | 参数名 | DMX值 8Bit | | 实际参数值 8Bit | | DMX值 16Bit | | 实际参数值 16Bit | |
|--------|-------|------|------|-----------|-----|------------|-------|------------|-------|-------------|-------|
| 8Bit | 16Bit | | | 起始值 | 结束值 | 起始值 | 结束值 | 起始值 | 结束值 | 起始值 | 结束值 |
| 3 | 4 | FX光效 | 光效类型 | 0 | 9 | 光效关闭 | | 0 | 9 | 光效关闭 | |
| | | | | 10 | 19 | 闪光灯 | | 10 | 19 | 闪光灯 | |
| | | | | 20 | 29 | 雷闪电 | | 20 | 29 | 雷闪电 | |
| | | | | 30 | 39 | 多云 | | 30 | 39 | 多云 | |
| | | | | 40 | 49 | 坏灯泡 | | 40 | 49 | 坏灯泡 | |
| | | | | 50 | 59 | TV | | 50 | 59 | TV | |
| | | | | 60 | 69 | 蜡烛 | | 60 | 69 | 蜡烛 | |
| | | | | 70 | 79 | 火 | | 70 | 79 | 火 | |
| | | | | 80 | 89 | 烟花 | | 80 | 89 | 烟花 | |
| | | | | 90 | 99 | 爆炸 | | 90 | 99 | 爆炸 | |
| | | | | 100 | 109 | 焊接 | | 100 | 109 | 焊接 | |
| | | | | 110 | 119 | SOS | | 110 | 119 | SOS | |
| | | | | 120 | 255 | 预留 | | 120 | 255 | 预留 | |
| 4 | 5-6 | 闪光灯 | 色温 | 0 | 255 | 2800K | 6500K | 0 | 65535 | 2800K | 6500K |
| 5 | 7-8 | | 速度 | 0 | 255 | 1 | 100 | 0 | 65535 | 1 | 100 |
| 6 | 9-10 | | 模式 | 0 | 255 | 0闪光灯 | 1镁光灯 | 0 | 65535 | 0闪光灯 | 1镁光灯 |
| 4 | 5-6 | 雷闪电 | 色温 | 0 | 255 | 2800K | 6500K | 0 | 65535 | 2800K | 6500K |
| 5 | 7-8 | | 次数 | 0 | 255 | 随机 | 10 | 0 | 65535 | 随机 | 10 |
| 6 | 9-10 | | 频率 | 0 | 255 | 随机 | 20 | 0 | 65535 | 随机 | 20 |
| 4 | 5-6 | 多云 | 亮暗比例 | 0 | 255 | 30% | 90% | 0 | 65535 | 30% | 90% |
| 5 | 7-8 | | 速度 | 0 | 255 | 随机 | 100 | 0 | 65535 | 随机 | 100 |
| 4 | 5-6 | 坏灯泡 | 色温 | 0 | 255 | 2800K | 6500K | 0 | 65535 | 2800K | 6500K |
| 5 | 7-8 | | 速度 | 0 | 255 | 1 | 100 | 0 | 65535 | 1 | 100 |
| 4 | 5-6 | TV | 速度 | 0 | 255 | 1 | 100 | 0 | 65535 | 1 | 100 |
| 4 | 5-6 | 蜡烛 | 速度 | 0 | 255 | 1 | 100 | 0 | 65535 | 1 | 100 |
| 4 | 5-6 | 火 | 速度 | 0 | 255 | 1 | 100 | 0 | 65535 | 1 | 100 |
| 4 | 5-6 | | 速度 | 0 | 255 | 1 | 100 | 0 | 65535 | 1 | 100 |
| 5 | 7-8 | | 余烬 | 0 | 255 | 1 | 100 | 0 | 65535 | 1 | 100 |
| 4 | 5-6 | 烟花 | 色温 | 0 | 255 | 2800K | 6500K | 0 | 65535 | 2800K | 6500K |
| 5 | 7-8 | | 速度 | 0 | 255 | 1 | 100 | 0 | 65535 | 1 | 100 |
| 6 | 9-10 | | 余烬 | 0 | 255 | 1 | 100 | 0 | 65535 | 1 | 100 |
| 4 | 5-6 | 爆炸 | 色温 | 0 | 255 | 2800K | 6500K | 0 | 65535 | 2800K | 6500K |
| 5 | 7-8 | | 速度 | 0 | 255 | 1 | 100 | 0 | 65535 | 1 | 100 |
| 6 | 9-10 | | 余烬 | 0 | 255 | 1 | 100 | 0 | 65535 | 1 | 100 |
| 4 | 5-6 | 焊接 | 色温 | 0 | 255 | 2800K | 6500K | 0 | 65535 | 2800K | 6500K |
| 5 | 7-8 | | 速度 | 0 | 255 | 1 | 100 | 0 | 65535 | 1 | 100 |
| 4 | 5-6 | SOS | 色温 | 0 | 255 | 2800K | 6500K | 0 | 65535 | 2800K | 6500K |

计算公式

计算亮度

8Bit

$$\text{DMX 数值} = \frac{\text{亮度数值}}{0.3922}$$

$$\text{亮度数值} = \text{DMX 数值} \times 0.3922$$

16Bit

$$\text{DMX 数值} = \frac{\text{亮度数值}}{0.001526}$$

$$\text{亮度数值} = \text{DMX 数值} \times 0.001526$$

计算色温

8Bit

$$\text{DMX 数值} = \frac{\text{色温数值} - 2800}{14.51}$$

$$\text{色温数值} = \text{DMX 数值} \times 14.51 + 2800$$

16Bit

$$\text{DMX 数值} = \frac{\text{色温数值} - 2800}{0.056458}$$

$$\text{色温数值} = \text{DMX 数值} \times 0.056458 + 2800$$

DMX Control Priority: DMX > CRMX > Art -Net&sACN

01: CCT 8Bit Mode & 03: CCT 16Bit Mode

| DMX channel | | Function | Parameter | DMX value 8Bit | | Actual value 8Bit | | DMX value 16Bit | | Actual value 16Bit | |
|-------------|-------|----------|------------|----------------|--------|-------------------|--------|-----------------|--------|--------------------|--------|
| 8Bit | 16Bit | CCT | Brightness | Start | Ending | Start | Ending | Start | Ending | Start | Ending |
| 1 | 1-2 | | | 0 | 255 | 0.0% | 100.0% | 0 | 65535 | 0.0% | 100.0% |
| 2 | 3-4 | | | 0 | 255 | 2800K | 6500K | 0 | 65535 | 2800K | 6500K |

Extend DMX Channels: The DMX mode will add extended channels when this function is turned on, as shown in the following table. Turning on the extend DMX channels will take up more channels, and this setting is off by default.

| DMX channel | | Function | Parameter | DMX value 8Bit | | Actual value 8Bit | DMX value 16Bit | | Actual value 16Bit |
|-------------|---|----------|-----------|----------------|---------|-------------------|-----------------|---------|--------------------|
| 3 | 5 | CCT | Mode | 0 | 9 | Normal | 0 | 9 | Normal |
| | | | | 10 | 19 | Highspeed | 10 | 19 | Highspeed |
| | | | | 20 | 29 | Low End | 20 | 29 | Low End |
| | | | | 30 | 255 | Preset | 30 | 255 | Preset |
| 4 | 6 | | Frequency | 0 | 9 | 1 | 0 | 9 | 1 |
| | | | | 10 | 19 | 2 | 10 | 19 | 2 |
| | | | | 20 | 29 | 3 | 20 | 29 | 3 |
| | | | | 30 | 39 | 4 | 30 | 39 | 4 |
| | | | | 40 | 49 | 5 | 40 | 49 | 5 |
| | | | | 50 | 59 | 6 | 50 | 59 | 6 |
| | | | | 60 | 69 | 7 | 60 | 69 | 7 |
| | | | | 70 | 79 | 8 | 70 | 79 | 8 |
| | | | | 80 | 89 | 9 | 80 | 89 | 9 |
| | | | | 90 | 99 | 10 | 90 | 99 | 10 |
| 5 | 7 | | Smoothing | 100 | 109 | 11 | 100 | 109 | 11 |
| | | | | 110 | 255 | Preset | 110 | 255 | Preset |
| | | 0 | | 9 | Default | 0 | 9 | Default | |
| | | 10 | | 19 | Smooth | 10 | 19 | Smooth | |
| | | 20 | | 29 | Off | 20 | 29 | Off | |
| | | 30 | | 255 | Preset | 30 | 255 | Preset | |

02: FX 8Bit Mode & 04: FX 16Bit Mode

| DMX channel | | Function | Parameter | DMX value 8Bit | | Actual value 8Bit | | DMX value 16Bit | | Actual value 16Bit | |
|-------------|-------|-----------|-------------|----------------|--------|-------------------|--------------|-----------------|--------|--------------------|--------------|
| 8Bit | 16Bit | | | Start | Ending | Start | Ending | Start | Ending | Start | Ending |
| 1 | 1-2 | FX mode | Brightness | 0 | 255 | 0.0% | 100.0% | 0 | 65535 | 0.0% | 100.0% |
| 2 | 3 | FX | Effect type | 0 | 9 | Off | | 0 | 9 | Off | |
| | | | | 10 | 19 | Flash | | 10 | 19 | Flash | |
| | | | | 20 | 29 | Lightning | | 20 | 29 | Lightning | |
| | | | | 30 | 39 | Cloudy | | 30 | 39 | Cloudy | |
| | | | | 40 | 49 | Broken Bulb | | 40 | 49 | Broken Bulb | |
| | | | | 50 | 59 | TV | | 50 | 59 | TV | |
| | | | | 60 | 69 | Candle | | 60 | 69 | Candle | |
| | | | | 70 | 79 | Fire | | 70 | 79 | Fire | |
| | | | | 80 | 89 | Firework | | 80 | 89 | Firework | |
| | | | | 90 | 99 | Explosion | | 90 | 99 | Explosion | |
| | | | | 100 | 109 | Welding | | 100 | 109 | Welding | |
| | | | | 110 | 119 | SOS | | 110 | 119 | SOS | |
| | | | | 120 | 255 | Preset | | 120 | 255 | Preset | |
| 3 | 4-5 | Flash | CCT | 0 | 255 | 2800K | 6500K | 0 | 65535 | 2800K | 6500K |
| 4 | 6-7 | | Speed | 0 | 255 | 1 | 100 | 0 | 65535 | 1 | 100 |
| 5 | 8-9 | | Mode | 0 | 255 | 0 Camera flash | 1 Flash bulb | 0 | 65535 | 0 Camera flash | 1 Flash bulb |
| 3 | 4-5 | Lightning | CCT | 0 | 255 | 2800K | 6500K | 0 | 65535 | 2800K | 6500K |
| 4 | 6-7 | | Times | 0 | 255 | Random | 10 | 0 | 65535 | Random | 10 |
| 5 | 8-9 | | Frequency | 0 | 255 | Random | 20 | 0 | 65535 | Random | 20 |
| 3 | 4-5 | Cloudy | Ratio | 0 | 255 | 30% | 90% | 0 | 65535 | 30% | 90% |
| 4 | 6-7 | | Speed | 0 | 255 | Random | 100 | 0 | 65535 | Random | 100 |
| 3 | 4-5 | | Broken Bulb | CCT | 0 | 255 | 2800K | 6500K | 0 | 65535 | 2800K |
| 4 | 6-7 | Speed | | 0 | 255 | 1 | 100 | 0 | 65535 | 1 | 100 |
| 3 | 4-5 | TV | | Speed | 0 | 255 | 1 | 100 | 0 | 65535 | 1 |
| 3 | 4-5 | Candle | Speed | 0 | 255 | 1 | 100 | 0 | 65535 | 1 | 100 |
| 3 | 4-5 | Fire | Speed | 0 | 255 | 1 | 100 | 0 | 65535 | 1 | 100 |
| 3 | 4-5 | Firework | Speed | 0 | 255 | 1 | 100 | 0 | 65535 | 1 | 100 |
| 4 | 6-7 | | Embers | 0 | 255 | 0 | 100 | 0 | 65535 | 0 | 100 |
| 3 | 4-5 | | CCT | 0 | 255 | 2800K | 6500K | 0 | 65535 | 2800K | 6500K |
| 4 | 6-7 | Explosion | Speed | 0 | 255 | 1 | 100 | 0 | 65535 | 1 | 100 |
| 5 | 8-9 | | Embers | 0 | 255 | 1 | 100 | 0 | 65535 | 1 | 100 |
| 3 | 4-5 | Welding | CCT | 0 | 255 | 2800K | 6500K | 0 | 65535 | 2800K | 6500K |
| 4 | 6-7 | | Speed | 0 | 255 | 1 | 100 | 0 | 65535 | 1 | 100 |
| 3 | 5-6 | SOS | CCT | 0 | 255 | 2800K | 6500K | 0 | 65535 | 2800K | 6500K |

Extend DMX Channels: The DMX mode will add extended channels when this function is turned on, as shown in the following table. Turning on the extend DMX channels will take up more channels, and this setting is off by default.

| DMX channel | | Parameter | DMX value 8Bit | | Actual value 8Bit | DMX value 16Bit | | Actual value 16Bit |
|-------------|----|-----------|----------------|-----|-------------------|-----------------|-----|--------------------|
| 6 | 10 | Mode | 0 | 9 | Normal | 0 | 9 | Normal |
| | | | 10 | 19 | Highspeed | 10 | 19 | Highspeed |
| | | | 20 | 29 | Low End | 20 | 29 | Low End |
| | | | 30 | 255 | Preset | 30 | 255 | Preset |
| 7 | 11 | Frequency | 0 | 9 | 1 | 0 | 9 | 1 |
| | | | 10 | 19 | 2 | 10 | 19 | 2 |
| | | | 20 | 29 | 3 | 20 | 29 | 3 |
| | | | 30 | 39 | 4 | 30 | 39 | 4 |
| | | | 40 | 49 | 5 | 40 | 49 | 5 |
| | | | 50 | 59 | 6 | 50 | 59 | 6 |
| | | | 60 | 69 | 7 | 60 | 69 | 7 |
| | | | 70 | 79 | 8 | 70 | 79 | 8 |
| | | | 80 | 89 | 9 | 80 | 89 | 9 |
| | | | 90 | 99 | 10 | 90 | 99 | 10 |
| | | | 100 | 109 | 11 | 100 | 109 | 11 |
| | | | 110 | 255 | Preset | 110 | 255 | Preset |
| 8 | 12 | Smoothing | 0 | 9 | Default | 0 | 9 | Default |
| | | | 10 | 19 | Smooth | 10 | 19 | Smooth |
| | | | 20 | 29 | Off | 20 | 29 | Off |
| | | | 30 | 255 | Preset | 30 | 255 | Preset |

05: Ultimate 8Bit DMX Mode & 06: Ultimate 16Bit DMX Mode

| DMX channel | | Function | Parameter | DMX value 8Bit | | Actual value 8Bit | | DMX value 16Bit | | Actual value 16Bit | | |
|-------------|-------|-----------------|-----------|----------------|--------|-------------------|----------|-----------------|--------|--------------------|----------|--------|
| 8Bit | 16Bit | | | Start | Ending | Start | Ending | Start | Ending | Start | Ending | |
| 1 | 1-2 | | | Brightness | 0 | 255 | 0.0% | 100.0% | 0 | 65535 | 0.0% | 100.0% |
| 2 | 3 | | | Mode selection | 0 | 9 | CCT mode | | 0 | 9 | CCT mode | |
| | | | | | 10 | 19 | FX mode | | 10 | 19 | FX mode | |
| | | | | | 20 | 255 | Preset | | 20 | 255 | Preset | |
| 3-6 | 4-10 | Color parameter | | | | | | | | | | |

Extend DMX Channels: The DMX mode will add extended channels when this function is turned on, as shown in the following table. Turning on the extend DMX channels will take up more channels, and this setting is off by default.

| DMX channel | | Function | Parameter | DMX value 8Bit | | Actual value 8Bit | | DMX value 16Bit | | Actual value 16Bit | |
|-------------|----|----------|-----------|----------------|-----|-------------------|--|-----------------|-----|--------------------|--|
| 7 | 11 | | Mode | 0 | 9 | Normal | | 0 | 9 | Normal | |
| | | | | 10 | 19 | Highspeed | | 10 | 19 | Highspeed | |
| | | | | 20 | 29 | Low End | | 20 | 29 | Low End | |
| | | | | 30 | 255 | Preset | | 30 | 255 | Preset | |
| 8 | 12 | | Frequency | 0 | 9 | 1 | | 0 | 9 | 1 | |
| | | | | 10 | 19 | 2 | | 10 | 19 | 2 | |
| | | | | 20 | 29 | 3 | | 20 | 29 | 3 | |
| | | | | 30 | 39 | 4 | | 30 | 39 | 4 | |
| | | | | 40 | 49 | 5 | | 40 | 49 | 5 | |
| | | | | 50 | 59 | 6 | | 50 | 59 | 6 | |
| | | | | 60 | 69 | 7 | | 60 | 69 | 7 | |
| | | | | 70 | 79 | 8 | | 70 | 79 | 8 | |
| | | | | 80 | 89 | 9 | | 80 | 89 | 9 | |
| | | | | 90 | 99 | 10 | | 90 | 99 | 10 | |
| | | | | 100 | 109 | 11 | | 100 | 109 | 11 | |
| | | | | 110 | 255 | Preset | | 110 | 255 | Preset | |
| 9 | 13 | | Smoothing | 0 | 9 | Default | | 0 | 9 | Default | |
| | | | | 10 | 19 | Smooth | | 10 | 19 | Smooth | |
| | | | | 20 | 29 | Off | | 20 | 29 | Off | |
| | | | | 30 | 255 | Preset | | 30 | 255 | Preset | |

CCT parameter in Ultimate 8Bit DMX Mode & Ultimate 16Bit DMX Mode

| DMX channel | | Function | Parameter | DMX value 8Bit | | Actual value 8Bit | | DMX value 16Bit | | Actual value 16Bit | |
|-------------|-------|----------|-----------|----------------|--------|-------------------|--------|-----------------|--------|--------------------|--------|
| 8Bit | 16Bit | CCT | | Start | Ending | Start | Ending | Start | Ending | Start | Ending |
| 3 | 4-5 | | | CCT | 0 | 255 | 2800K | 6500K | 0 | 65535 | 2800K |

FX parameter in Ultimate 8Bit DMX Mode & Ultimate 16Bit DMX Mode

| DMX channel | | Function | Parameter | DMX value 8Bit | | Actual value 8Bit | | DMX value 16Bit | | Actual value 16Bit | |
|-------------|-------|-------------|-------------|----------------|--------|-------------------|--------------|-----------------|--------|--------------------|--------------|
| 8Bit | 16Bit | | | Start | Ending | Start | Ending | Start | Ending | Start | Ending |
| 3 | 4 | FX | Effect type | 0 | 9 | Off | | 0 | 9 | Off | |
| | | | | 10 | 19 | Flash | | 10 | 19 | Flash | |
| | | | | 20 | 29 | Lightning | | 20 | 29 | Lightning | |
| | | | | 30 | 39 | Cloudy | | 30 | 39 | Cloudy | |
| | | | | 40 | 49 | Broken Bulb | | 40 | 49 | Broken Bulb | |
| | | | | 50 | 59 | TV | | 50 | 59 | TV | |
| | | | | 60 | 69 | Candle | | 60 | 69 | Candle | |
| | | | | 70 | 79 | Fire | | 70 | 79 | Fire | |
| | | | | 80 | 89 | Firework | | 80 | 89 | Firework | |
| | | | | 90 | 99 | Explosion | | 90 | 99 | Explosion | |
| | | | | 100 | 109 | Welding | | 100 | 109 | Welding | |
| | | | | 110 | 119 | SOS | | 110 | 119 | SOS | |
| | | | | 120 | 255 | Preset | | 120 | 255 | Preset | |
| 4 | 5-6 | Flash | CCT | 0 | 255 | 2800K | 6500K | 0 | 65535 | 2800K | 6500K |
| 5 | 7-8 | | Speed | 0 | 255 | 1 | 100 | 0 | 65535 | 1 | 100 |
| 6 | 9-10 | | Mode | 0 | 255 | 0 Camera flash | 1 Flash bulb | 0 | 65535 | 0 Camera flash | 1 Flash bulb |
| 4 | 5-6 | Lightning | CCT | 0 | 255 | 2800K | 6500K | 0 | 65535 | 2800K | 6500K |
| 5 | 7-8 | | Times | 0 | 255 | Random | 10 | 0 | 65535 | Random | 10 |
| 6 | 9-10 | | Frequency | 0 | 255 | Random | 20 | 0 | 65535 | Random | 20 |
| 4 | 5-6 | Cloudy | Ratio | 0 | 255 | 30% | 90% | 0 | 65535 | 30% | 90% |
| 5 | 7-8 | | Speed | 0 | 255 | Random | 100 | 0 | 65535 | Random | 100 |
| 4 | 5-6 | Broken Bulb | CCT | 0 | 255 | 2800K | 6500K | 0 | 65535 | 2800K | 6500K |
| 5 | 7-8 | | Speed | 0 | 255 | 1 | 100 | 0 | 65535 | 1 | 100 |
| 4 | 5-6 | TV | Speed | 0 | 255 | 1 | 100 | 0 | 65535 | 1 | 100 |
| 4 | 5-6 | Candle | Speed | 0 | 255 | 1 | 100 | 0 | 65535 | 1 | 100 |
| 4 | 5-6 | Fire | Speed | 0 | 255 | 1 | 100 | 0 | 65535 | 1 | 100 |
| 4 | 5-6 | Firework | Speed | 0 | 255 | 1 | 100 | 0 | 65535 | 1 | 100 |
| 5 | 7-8 | | Embers | 0 | 255 | 0 | 100 | 0 | 65535 | 0 | 100 |
| 4 | 5-6 | | CCT | 0 | 255 | 2800K | 6500K | 0 | 65535 | 2800K | 6500K |
| 5 | 7-8 | Explosion | Speed | 0 | 255 | 1 | 100 | 0 | 65535 | 1 | 100 |
| 6 | 9-10 | | Embers | 0 | 255 | 1 | 100 | 0 | 65535 | 1 | 100 |
| 4 | 5-6 | Welding | CCT | 0 | 255 | 2800K | 6500K | 0 | 65535 | 2800K | 6500K |
| 5 | 7-8 | | Speed | 0 | 255 | 1 | 100 | 0 | 65535 | 1 | 100 |
| 4 | 5-6 | SOS | CCT | 0 | 255 | 2800K | 6500K | 0 | 65535 | 2800K | 6500K |

Calculation Formula:

Brightness

8Bit

$$\text{DMX value} = \frac{\text{Brightness value}}{0.3922}$$

$$\text{Brightness value} = \text{DMX value} \times 0.3922$$

16Bit

$$\text{DMX value} = \frac{\text{Brightness value}}{0.001526}$$

$$\text{Brightness value} = \text{DMX value} \times 0.001526$$

CCT

8Bit

$$\text{DMX value} = \frac{\text{CCT value} - 2800}{14.51}$$

$$\text{CCT value} = \text{DMX value} \times 14.51 + 2800$$

16Bit

$$\text{DMX value} = \frac{\text{CCT value} - 2800}{0.056458}$$

$$\text{CCT value} = \text{DMX value} \times 0.056458 + 2800$$

DMX 模式表版本: V1.0

DMX Mode Specification Version: V1.0

控制器固件版本: V1.00

Controller Firmware Version: V1.00

深圳市神牛摄影器材有限公司

地址: 深圳市宝安区福海街道塘尾社区耀川工业区厂房2栋

电话: 0755-29609320(8062) 传真: 0755-25723423 邮箱: godox@godox.com

GODOX Photo Equipment Co.,Ltd.

Add.: Building 2, Yaochuan Industrial Zone, Tangwei Community, Fuhai Street, Bao'an District, Shenzhen 518103, China

Tel: +86-755-29609320(8062) Fax: +86-755-25723423 E-mail: godox@godox.com

godox.com Made in China | 705-M6BYP0-01