

ASSEMBLY INSTRUCTIONS

JUDD FOLDING BIKE

WARNING

Using the bike with the minimum insertion line on the lower portion of the seat post showing above the frame could result in a failure of the seat post and/or the frame causing a loss of control with potential injury to rider. Such failures are not covered by warranty as it is improper use of the product.

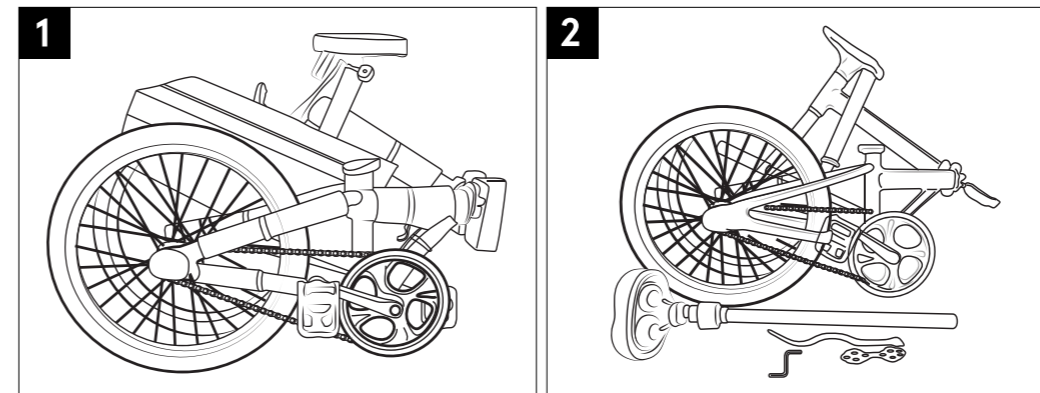
TOOLS

What we give you: 3 Hex Wrenches (4mm, 5mm, & 6mm), a 10-function multi-tool.

What you need: Scissors, Phillips Screwdriver.

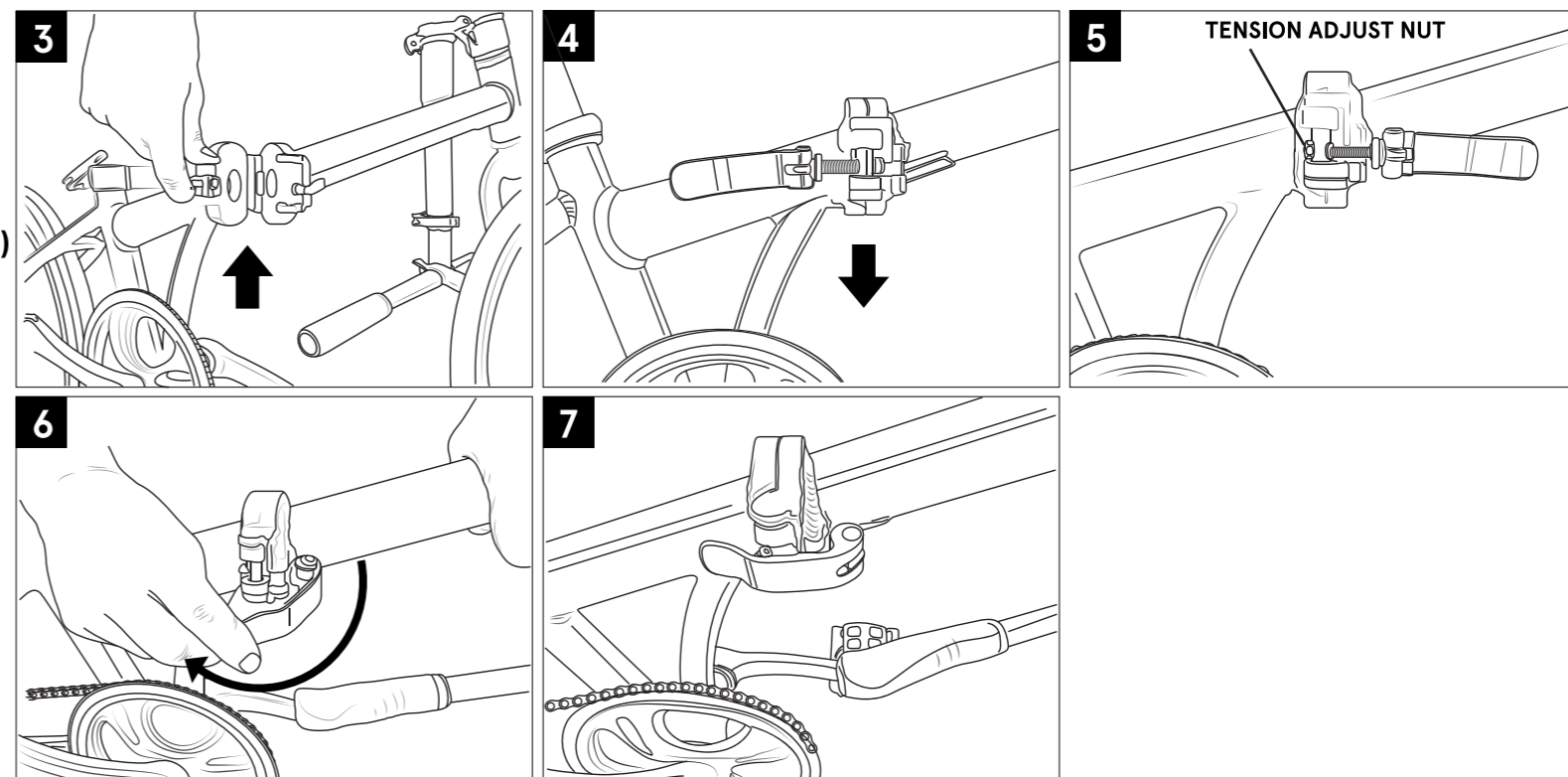
STEP 1: UNPACKING YOUR BIKE

- 1 - Cut the shipping straps on the outside of the box.
- 2 - Remove the box staples from the box top because these are sharp and can cut you as you access the bike. Open the cardboard flaps and remove the accessory box and saddle/seatpost and set them aside.
- 3 - Lift the bike out of its box by the top tube and rear wheel. Place the bike upright on the ground, so it rests on the tires and bottom frame stand.
- 4 - Carefully cut all of the packing zip ties and remove the protective wrapping & plastic caps.
IMPORTANT: Remove, Do NOT cut the Velcro strap (it's a keeper), located near the two wheels, which holds the bike in the folding position.
- 5 - Examine your new bike for any visible damage that may have occurred during shipping. (Fig. 1 & 2)



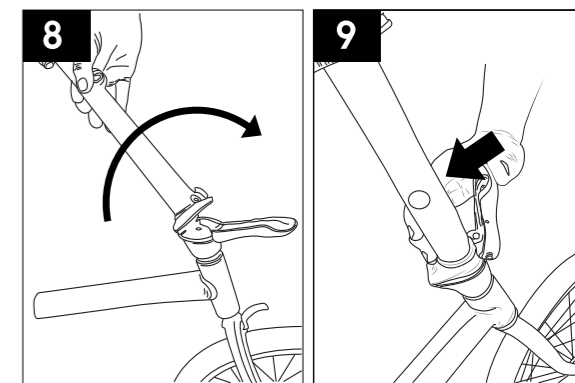
STEP 2: UNFOLDING YOUR BIKE AND CONNECTING THE FRAME

- 1 - Your bike comes completely folded. Unfold the frame and swing the two hinged halves until they almost come together - this may require a little extra effort as the parts are new.
- 2 - You will need to pull up on the quick release latch (Fig. 3) to allow the two frame halves to mate against one another.
- 3 - Once the two halves are together, release the quick release latch so it locks into place (Fig. 4)
- 4 - Swing the quick release latch around so it fits fully in the slot in the hinge on the front half of the frame. Make sure the steel and nylon washers are on the outside of the hinge and against the lever body (Fig. 5).
Note: You can make the final adjustment to the height of the seat as needed after the bike is assembled.
- 5 - Close the quick release lever to complete attaching the two halves of the frame (Fig. 6 & 7). The lever should require some effort to close. If the lever is too difficult to close, or closes with little effort, tighten or loosen the nut on the end of the latch to adjust the lever tension (Fig. 5).



STEP 3: CONNECTING THE HANDLEBAR TO THE STEM

- 1 - Swing the handlebar assembly into place by rotating upwards (**Fig. 8**).
- 2 - Once the handlebars are in the upright position, lock into place by pressing the lever to the handlebar mast (**Fig. 9**).

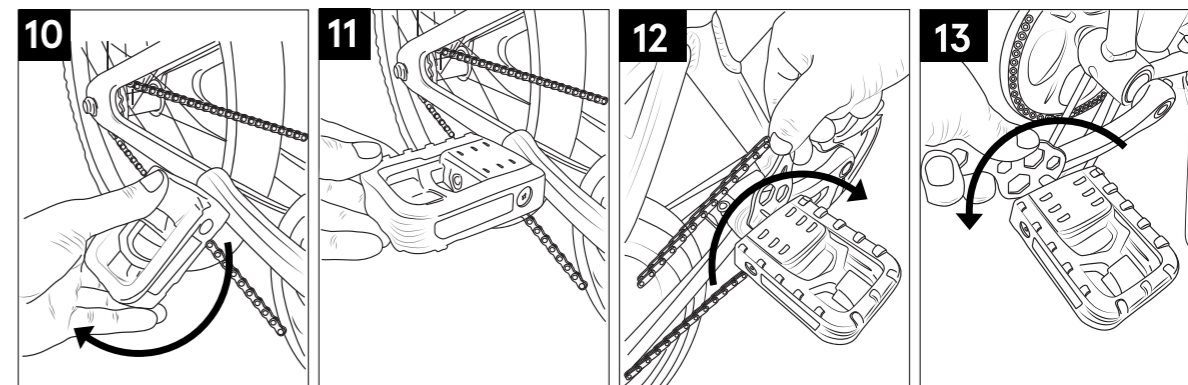


STEP 4: UNFOLD PEDALS

- 1 - Unfold the pedals by simply applying pressure to pull them in the riding position. You will hear a click when they lock into position (**Fig. 10 & 11**).

CHECK PEDAL TIGHTNESS

- 1 - Pedals need to be checked for tightness.
- 2 - Use the 15mm portion of the included multi-wrench, your own 15mm open end wrench, or adjustable wrench.
- 3 - The right side pedal tightens clockwise (**Fig. 12**).
The left side pedal tightens counterclockwise (**Fig. 13**).



The pedals need to be tightened with a considerable amount of force so that they do not come lose. Pedal side is determined when you sit on the bike.

Special Note: For tightening all fasteners, please refer to Appendix D in the back of your owner's manual for all fastener torque specifications.

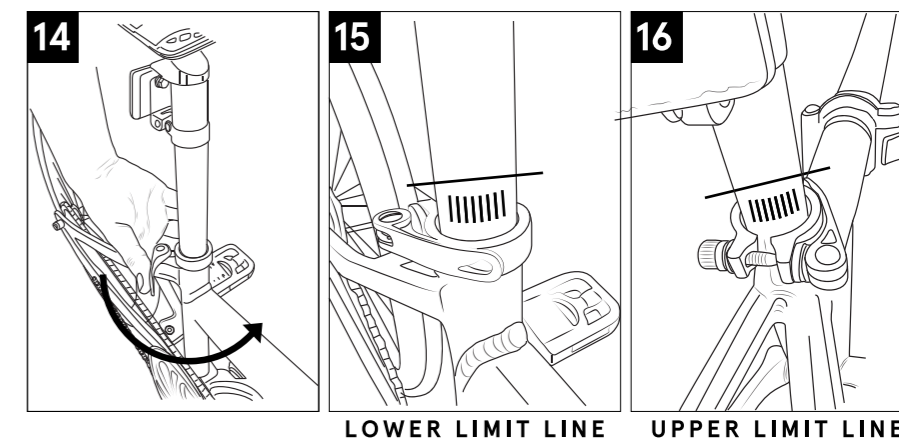
NOTE: Be sure to tighten both pedals with an adjustable wrench or 15mm open end wrench to the recommended torque specification otherwise they will unscrew while riding causing an unsafe condition for the rider and damaging the threads in the crank.

ADJUST SEAT HEIGHT

- 1 - To adjust the seat height, pull the quick release lever attached to the top of the seat tube outwards and adjust the seat to your desired height.
- 2 - your desired height.

Once you have adjusted the seat post to your desired height, lock it in place by closing the quick release lever against the clamp (**Fig. 14**).

The lever should require some force to close. If it closes too easily and does not hold the seat post in place, or if the effort to close the clamp is too great, adjust the clamping force by loosening or tightening the adjusting nut on the side opposite the lever.



IMPORTANT

- Your seat post is extra-long to fit a variety of rider sizes to the compact, folding frame design.
- Check the seat post closely. It has upper limit line marked on rear of seatpost (how low your seat can go), and lower limit line (how high your seat can go) marked on the front of the seatpost.
- **Lower Limit Line:** Never adjust the seat height so that the limit line at the lower end of the seat post is showing outside of the frame (**Fig. 15**).
- **Upper Limit Line:** Always adjust the seat height so that the limit line at the upper end of the seat post is showing outside of the frame (**Fig. 16**).

WARNING! Using the bike with the minimum insertion line on the lower portion of the seat post showing above the frame could result in a failure of the seat post and/or the frame causing a loss of control with potential injury to rider. Such failures are not covered by warranty as it is improper use of the product.

CHECK TIRE INFLATION & INSTALLATION:

- * Locate the tire manufacturer's recommended inflation pressure found on the tire sidewall (listed as "PSI").
- * Using a hand or floor pump with a gauge, begin to inflate the tire to half its recommended inflation pressure and check to see that the tire is properly seated on the rim. Be sure to inspect both sides of the tire for proper fit.
- * If the tire is seated unevenly or bulges out along the rim, let some air out of the tire and reposition the tire by hand so that it sits evenly on the rim.
- * Continue to inflate the tire to the manufacturer's recommended pressure.
- * Do not exceed the recommended pressure as this will cause an unsafe condition potentially causing the tire to unexpectedly explode.
- * Do not use a compressed air device to inflate your tires as the rapid inflation of the tire can cause it to blow off the rim.
- * Tires and tubes are not warranted against damage caused by over-inflation or punctures from road hazards.

CHECK HANDLEBAR STEM ALIGNMENT:

1 - Sit on your bike - check to make sure the handlebar stem and fork are in-line with one another.

2 - If it is all good (**Fig. 20**), you are done. Otherwise, do the following.

A - Unfold the handlebar (**Fig. 17**).

B - With 5mm hex wrench loosen the Compression Cap - the top center bolt in the stem (**Fig. 18**).

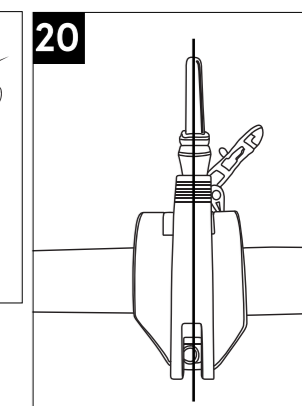
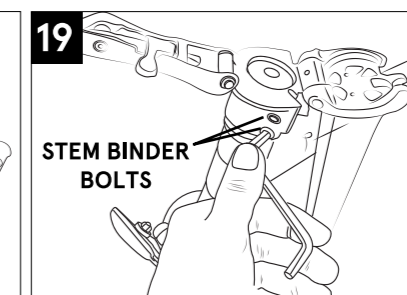
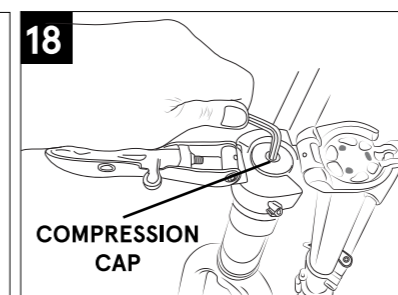
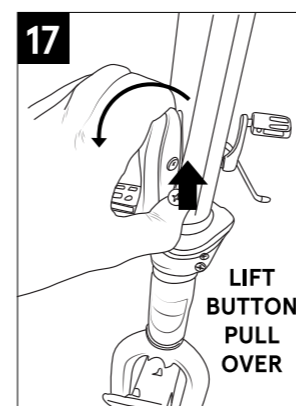
C - With the same 5mm hex wrench, loosen the two Stem Binder Bolts on side of stem - these hold the stem to the fork. Loosen just enough so you can move/adjust the stem and center it in line with the front tire (**Fig. 19**).

D - Line up the handlebar/stem with the front tire (**Fig. 20**).

E - Reverse the process:

1. Tighten the top center bolt in the Compression cap of the stem (**Fig. 18**).

2. Tighten the two Stem Binder Bolts on the side of the stem (**Fig. 19**).



Special Note: For tightening all fasteners, please refer to Appendix D in the back of your owner's manual for all fastener torque specifications.

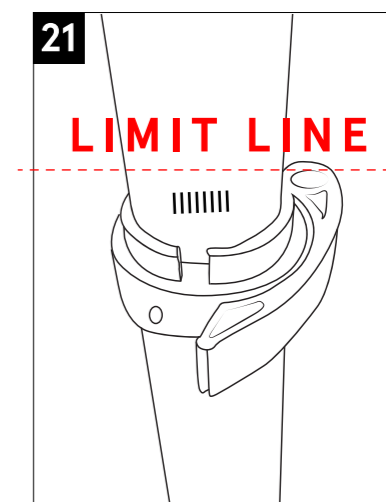
STEP 6: ADJUST HANDLEBAR HEIGHT

1 - To adjust the handlebar height, pull the quick release lever attached to the top of the stem mast outwards and adjust the handlebar to your desired height.

2 - Once you have adjusted the handlebar to your desired height, lock it in place by closing the quick release lever against the clamp (**Fig. 21**).

The lever should require some force to close. If it closes too easily and does not hold the seat post in place, or if the effort to close the clamp is too great, adjust the clamping force by loosening or tightening the adjusting nut on the side opposite the lever.

IMPORTANT: Never adjust the handlebar height so that the limit line at the lower end of the seat post is showing outside of the frame (**Fig. 21**).



BEFORE YOUR FIRST RIDE

We strongly recommend you take your bike to a professional bike shop and have them check your work and fine tune the bike to ensure your bike is safe to ride.

SERIAL NUMBER

It is important that you locate and record the serial number of your bicycle in case of a recall or if the bicycle is stolen.

The serial number can be found under the crank bottom bracket stamped into the frame.

