

ASSEMBLY INSTRUCTIONS HARPER COASTER BRAKE

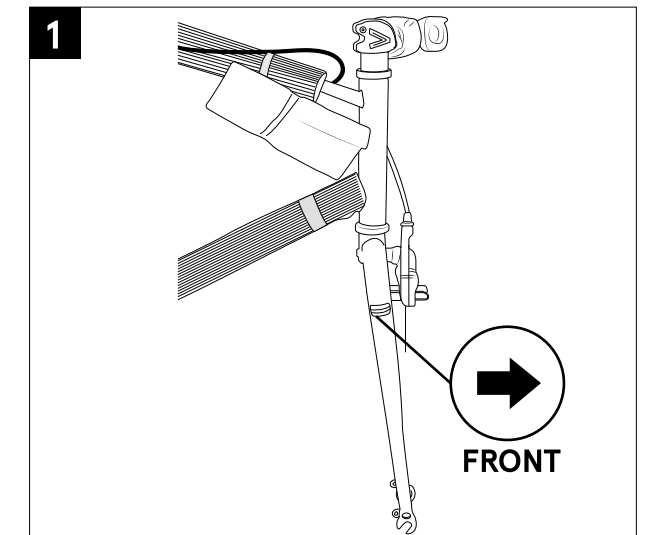
TOOLS

What we give you: 3 Hex Wrenches (4mm, 5mm, & 6mm), a 10-function multi-tool.

What you need: Scissors, Phillips Screwdriver, 15mm wrench or crescent wrench.

UNPACK YOUR BIKE

- 1 - Cut the shipping straps on the outside of the box.
- 2 - Remove the box staples as these are sharp and can cut you as you access the bike. Lift bike out by frame and rear wheel.
- 3 - Rotate the fork so that it is facing forward of the bike (**Fig. 1**). Place the bike on the ground, so it's standing upright on the fork dropouts and rear tire.
- 4 - Cut all of the packing zip ties.
- 5 - Separate the front wheel from the bike by carefully slipping it away from the crank arm, which is resting within the spokes.
- 6 - Remove the accessory box and set it aside.
- 7 - Examine your new bike for any visible damage that may have occurred during shipping.
- 8 - **Special Note:** For tightening all fasteners, please refer to Appendix D in the back of your owner's manual for all fastener torque specifications.



WARNING Using the bike with the minimum insertion line on the lower portion of the seat post showing above the frame could result in a failure of the seat post and/or the frame causing a loss of control with potential injury to rider. Such failures are not covered by warranty as it is improper use of the product.

SADDLE

- 1 - Remove the plastic shipping plug from the top of the seat tube (**Fig. 2**).
- 2 - Use the included Hex wrench to loosen the seat clamp at the top of the seat tube.
- 3 - **RECOMMENDED;** Apply a thin layer of grease to the inside of the frame seat tube.
- 4 - Insert the seat with the seat post into the seat tube of the frame to at least the minimum insertion line on the shaft of the seat post. **WARNING!** The minimum insertion line must NOT show above the seat tube (**Fig. 3**).
- 5 - Using the Hex wrench, tighten the seat clamp once it is at the correct height.
Note: You can make the final adjustment to the height of the seat as needed after the bike is assembled.

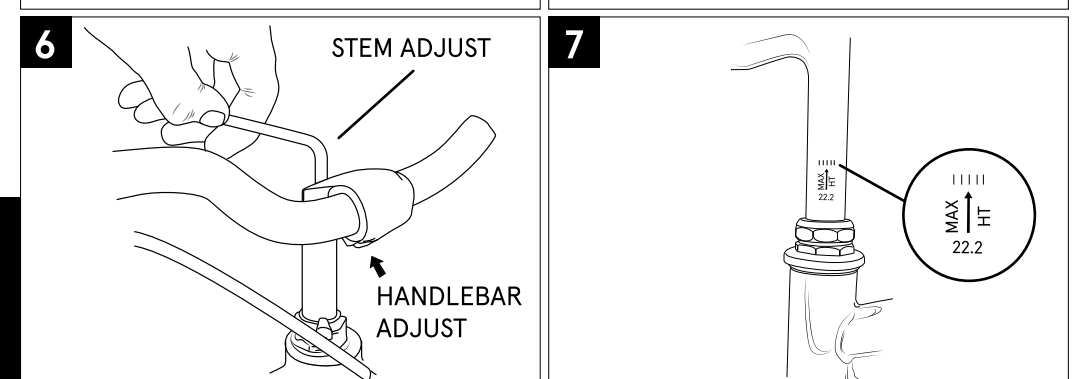
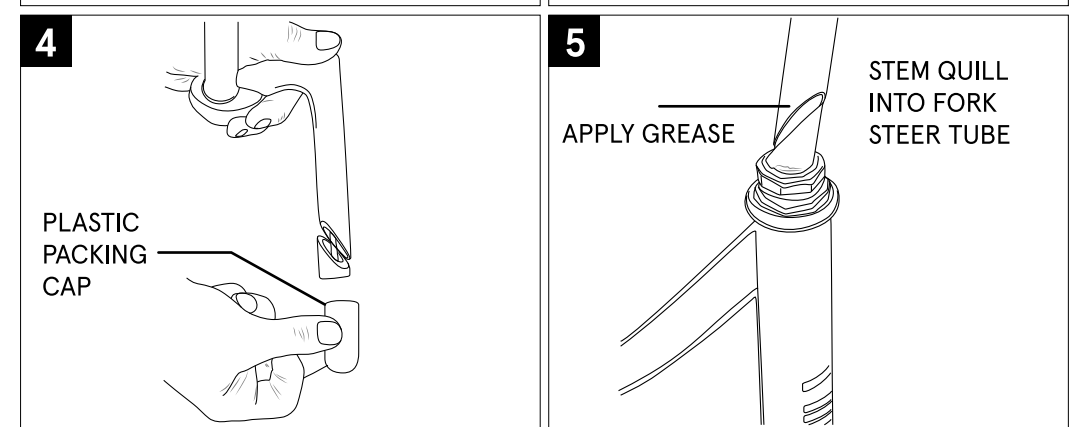
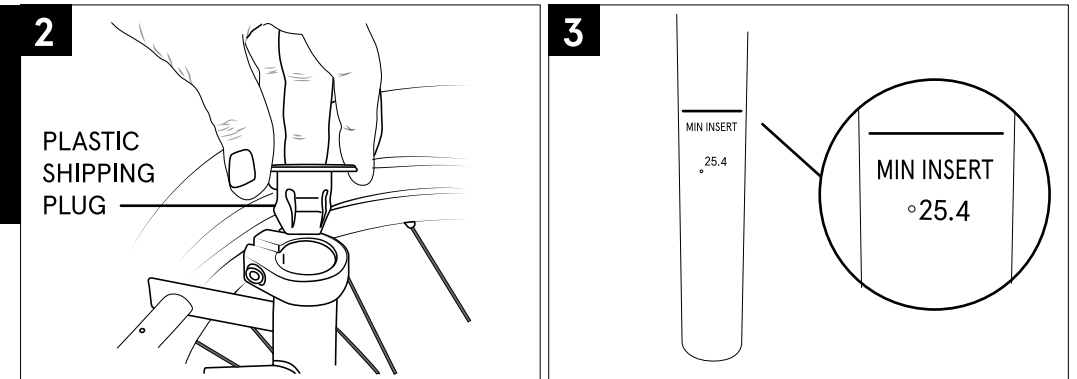
HANDLEBARS

- 1 - Loosen the stem bolt at the top of the stem one turn and remove the plastic packing cap from the bottom of the stem (**Fig. 4**). **RECOMMENDED:** Apply a thin layer of grease to the end of the stem shaft by the wedge.
- 2 - Untwist the handlebars and control cables and insert the quill end of the stem into the fork steer tube. You may have to loosen the bolt and wedge a small amount to allow the quill to fit into the steer tube (**Fig. 5**).
- 3 - Make sure that the fork is facing forward and the handlebars are lined up with the fork dropouts.
- 4 - Adjust the height of the stem to your desired level and tighten the stem bolt using a 6mm wrench. You can make final adjustments to the height of the stem after the bike is assembled (**Fig. 6**). **NOTE:** Be sure that the minimum insertion mark on the shaft of the stem is inside the frame, it must not be visible outside of the frame (**Fig. 7**).

WARNING Installing the stem with the minimum insertion mark showing outside of the frame could create a dangerous condition allowing the stem to break causing the rider to lose control resulting in serious injuries to the rider (Figure 7).

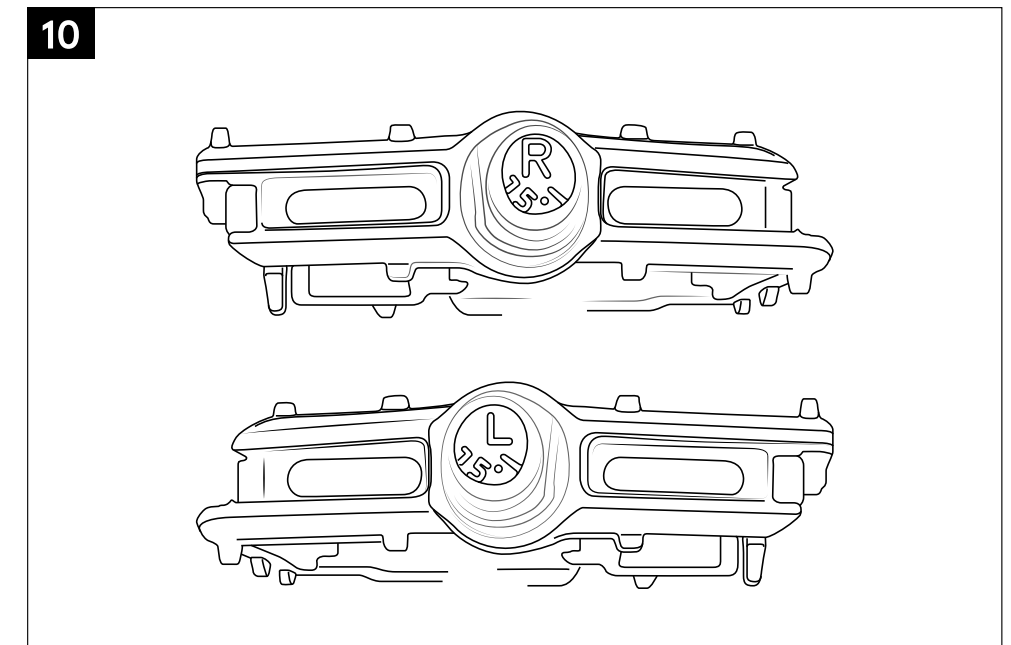
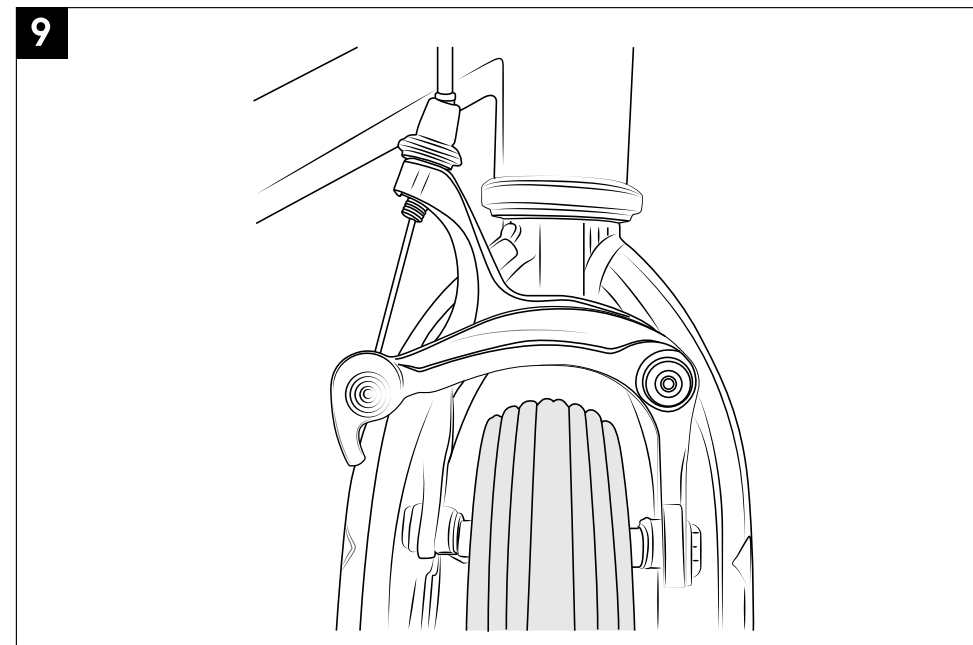
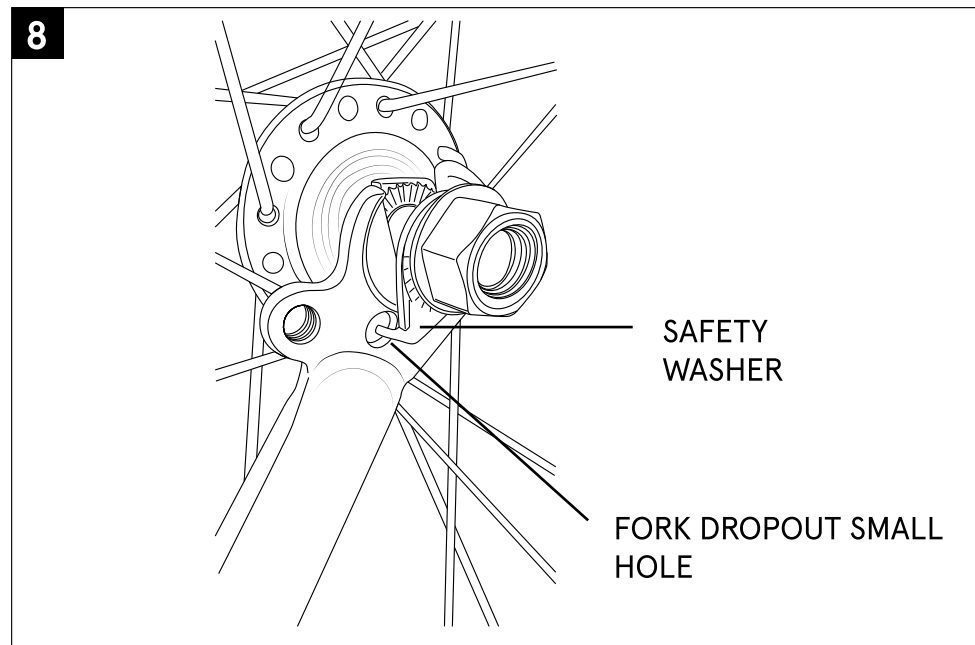
WARNING

Using the bike with the minimum insertion line on the lower portion of the seat post showing above the frame could result in a failure of the seat post and/or the frame causing a loss of control with potential injury to rider. Such failures are not covered by warranty as it is improper use of the product.



FRONT WHEEL

- 1 - Flip the bike over so it's resting on the saddle and handlebars.
- 2 - Remove the small black plastic protector from the fork dropouts.
- 3 - Loosen the axle nuts on the front wheel and insert the front wheel into the fork dropouts. Insert the tab of the safety washers into the small holes on the outside of the fork dropouts (**Fig. 8**).
- 4 - Inspect the wheel to make sure it is centered in the fork (**Fig. 9**). Tighten each axle nut a little at a time with a 15mm wrench, alternating between sides, until each axle nut is properly tightened.
- 5 - Return the bike onto its wheels and align the handlebar stem to the front wheel. Once the stem is aligned to the front wheel, tighten the stem bolt located at the top of the stem (**Fig. 6**).



PEDALS

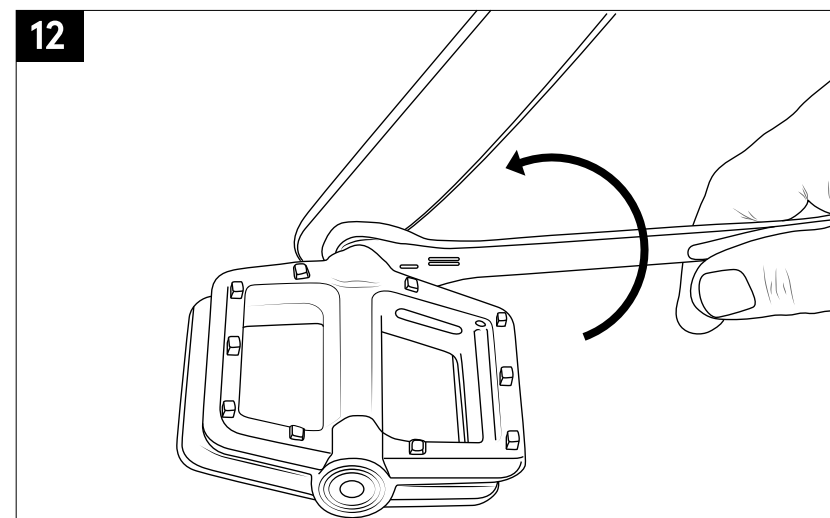
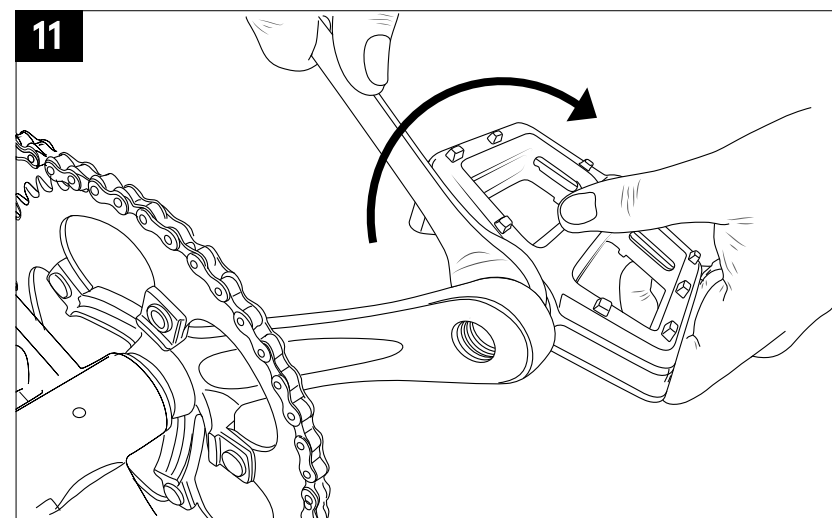
Right Pedal

- 1 - Locate the pedal stamped "R" on the end of the spindle (this is the **RIGHT** pedal) (**Fig. 10**).
- 2 - **RECOMMENDED:** Apply a thin layer of grease to the pedal threads prior to installation.
Carefully insert the Right pedal into the Right side crank arm (the side with the chain) and thread it **Clockwise** (**Fig. 11**). You should be able to thread the pedal in part of the way by hand with minor resistance. If it seems difficult and binds, stop, remove the pedal, realign the threads and try again. Be sure you are turning the right pedal axle in a clockwise direction!
- 3 - Tighten the pedal with a 15mm or adjustable wrench until the pedal is securely attached to the crank arm. The pedals need to be tightened with a considerable amount of force so that they do not come lose.

Left Pedal

- 4 - Locate the pedal stamped "L" on the end of the spindle (this is the **LEFT** pedal) (**Fig. 10**).
- 5 - **RECOMMENDED;** apply a thin layer of grease to the pedal threads and insert your Left pedal into the Left side crank arm.
- 6 - Thread it **Counterclockwise** and tighten with a 15mm or adjustable wrench following the instructions in step #3 above (**Fig. 12**).

NOTE: Be sure to tighten both pedals with an adjustable wrench or 15mm open end wrench to the recommended torque specification otherwise they will unscrew while riding causing an unsafe condition for the rider and damaging the threads in the crank.



BRAKES - Coaster Brakes

These models are equipped with a foot operated rear coaster brake. No adjustment is required. Simply push backwards on the pedals to activate the brake.

REFLECTORS

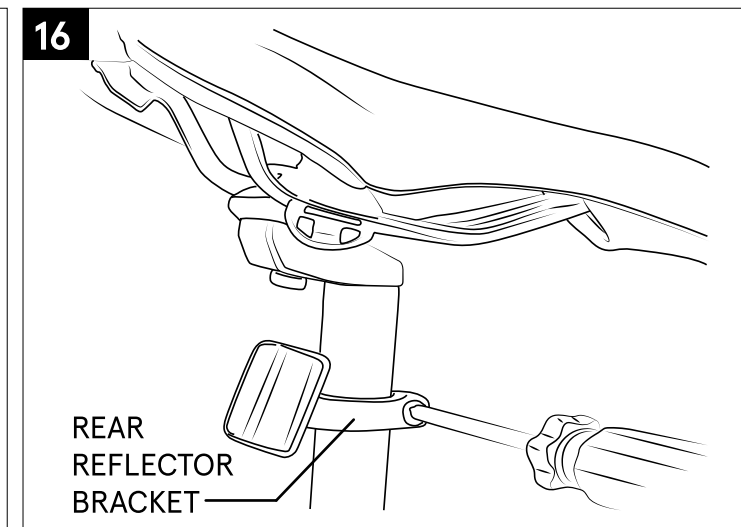
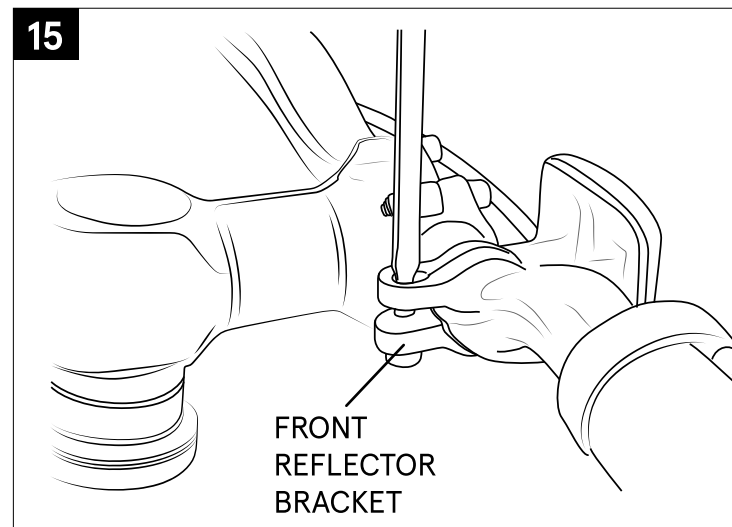
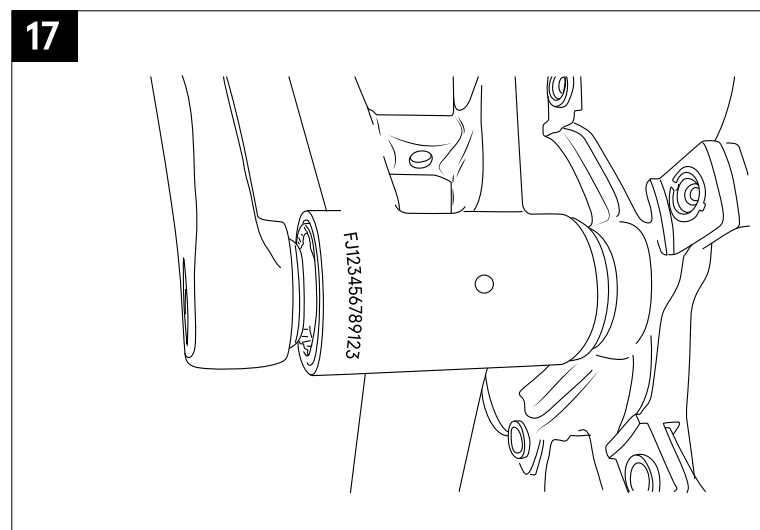
- 1 - Attach the plastic brackets to the handlebar and seat post. (**Fig. 15 - Front**).
- 2 - Slide the reflectors onto the brackets (white in the front, red in the back). (**Fig. 16 - Rear**).
- 3 - Attach the wheel reflectors onto the spokes of the wheels (If not already installed at the factory).

BEFORE YOUR FIRST RIDE

We strongly recommend you take your bike to a professional bike shop and have them check your work and fine tune the bike to ensure your bike is safe to ride.

SERIAL NUMBER

It is important that you locate and record the serial number of your bicycle in case of a recall or if the bicycle is stolen. The serial number can be found under the crank bottom bracket stamped into the frame (**Fig. 17**).



TIRES

- * Locate the tire manufacturer's recommended inflation pressure found on the tire sidewall (listed as "PSI").
- * Using a hand or floor pump with a gauge, begin to inflate the tire to half its recommended inflation pressure and check to see that the tire is properly seated on the rim. Be sure to inspect both sides of the tire for proper fit.
- * If the tire is seated unevenly or bulges out along the rim, let some air out of the tire and reposition the tire by hand so that it sits evenly on the rim.
- * Continue to inflate the tire to the manufacturer's recommended pressure.
- * Do not exceed the recommended pressure as this will cause an unsafe condition potentially causing the tire to unexpectedly explode.
- * Do not use a compressed air device to inflate your tires as the rapid inflation of the tire can cause it to blow off the rim.
- * Tires and tubes are not warranted against damage caused by over-inflation or punctures from road hazards.