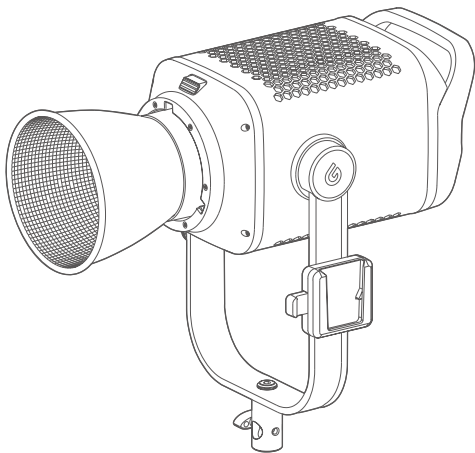


LITEMONS



LA600Bi

光小兽双色温 LED 直播灯
LITEMONS Bi-color LED Light

使用手册
Instruction Manual

V1.0 说明书 / Instruction Manual

V1.00 固件 / Firmware

重要的安全说明及注意事项

Godox 品牌 LED 摄影灯为专业设备，特别是大功率输出的摄影灯，仅限具备资质的技术人员操作。使用前请务必完整阅读并理解产品说明书，严格遵循安全操作指南。未按规定操作可能导致以下风险：人身伤亡、设备损坏或财产损失。



危险

- 本产品为摄影灯具，禁止儿童使用。当儿童靠近时，家长或监护人必须密切监督，以免儿童因碰撞灯具或私用灯具造成人身伤害。
- 本产品并非普通照明灯具，不可用于普通照明，任何有过眼部损伤或眼部敏感的人群均应避免使用本灯具。灯具点亮时，任何情况下均禁止直视灯珠，应该在专业灯光师指导下使用强光，任何情况下避免长时间处于强光环境，如引起眼睛不适，请及时关闭灯具，暂停使用，及时就医。
- 高压电（交流电）供电的产品，使用带有接地保护装置的插座进行供电。
- 灯具点亮时，必须小心使用，禁止接触高温部件，如 LED 灯珠，避免造成灼伤。
- 禁止使用损坏的产品。产品在使用过程中，因跌落、受到挤压或遭受强烈冲击而造成外壳破裂，请勿继续使用，以免因接触到内部电子元件而受到电击伤害。
- 为避免火灾、电击或人身伤害危险，请仅使用生产商推荐的附件。如需使用延长线，请使用原厂延长线或者制造商推荐的延长线（额定电流 \geq 该产品额定电流的延长线）。如延长线额定电流小于该产品，可能造成火灾、电击、其他严重的人身伤害危险或财产损失。
- 只能使用完好无损的接地连接电缆或制造商明确确认可用于供电产品运行的接地延长电缆。损坏或扭曲的连接电缆必须立即更换！产品输入电源线较长，请合理放置电源线，使其处于安全位置，避免电源线接触到过热物体、避免放置不当导致拉扯损坏或绊倒现场人员。
- 请勿私自拆卸产品，如产品出现故障，须由本公司或授权的维修人员进行检查维修。如灯珠损坏或因热变形，应停止使用，并及时联系制造商、服务代理商维修灯珠，以免发生意外。
- 请勿在易爆环境中（酒精、汽油等易燃挥发性溶剂或甲烷、乙烷等气体附近）使用和存放本产品。
- 产品在运行期间和运行后，灯头与用户、其他人员、热敏和可燃材料之间的距离必须随时保持至少 1 米以上。
- 在清洁和维修产品时，请先关机，再从电源插座上拔下该产品的电源线插头。不使用时，禁止拉扯电源线以将产品的电源线插头从电源插座中拔出。应是用手抓住产品的电源线插头两端，将插头从电源插座中拔出。



警告

- 部分产品无防水性能，此类产品请让其保持干燥，禁止浸入水中或其他液体中，安装时需
在干燥且通风处，避免在雨天、潮湿、多尘或过热环境下使用。请勿将任何物体置于灯具
上或使液体流入灯具内部，以免发生意外。
- 不能阻挡、覆盖产品散热口。
- 使用后，产品完全冷却后才能包装。



小心

- 使用产品前，必须拆除所有运输包装材料和保护装置；
- 不使用产品时，请及时关机和停止供电；
- 存放本产品之前，请确保产品已完全冷却。存放时，将电源线从产品上拔出，产品应放置
于产品便携包内或通风干燥处。
- 请务必经常清洁灯珠玻璃并使其保持干净，玻璃如粘上蚊虫尸体或深色有机物污渍，可能
引起玻璃炸裂。清洁本产品时，请勿用湿布擦拭，请用干燥的软布擦拭产品污垢。
- 安全说明依据本厂严格测试制定，产品设计和规格如有变更，恕不另行通知。客户可以登
录神牛官网查看最新的电子版说明，了解产品最新资讯。



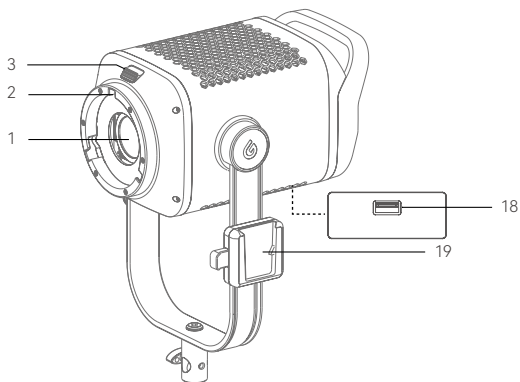
请勿直视光源

前言

感谢您购买神牛产品！

神牛全新推出双色温 LED 直播灯 LA600Bi，以宽广色温 2800K-6500K 调节，11 类 FX 光效，灯
珠高亮高显，百分级调光，支持有线 DMX 连接及无线蓝牙，NFC 速连等多种特性完美适用于小
场景广告，微电影拍摄以及直播布光的场景中。

部件名称



1. 灯珠

2. 保荣卡口

3. 卡口推制

4. MODE 按键

5. MENU 按键

6. 蓝牙按键

7. DC 输入接口

8. DMX OUT 接口

9. DMX IN 接口

10. 开关按键

11. 调节旋钮

12. 彩屏

13. 方向锁紧把手

14. 挂线装置

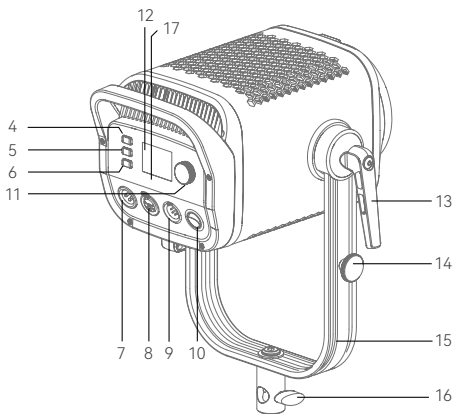
15. U 架

16. 灯架锁紧旋钮

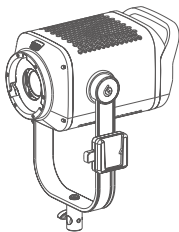
17. NFC 感应区

18. USB-A 固件升级接口

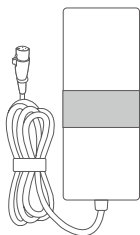
19. 适配器固定件



LA600Bi 物品清单



灯体 × 1



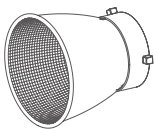
适配器 × 1



AC 电源线 × 1



钢丝绳 × 1

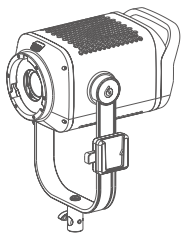


反光罩 BR30 × 1

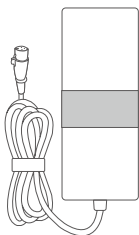


说明书 × 1

LA600Bi K1 物品清单



灯体 × 1



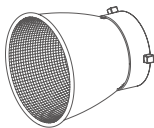
适配器 × 1



AC 电源线 × 1



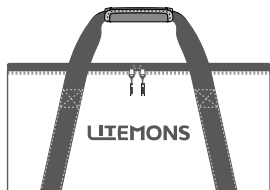
钢丝绳 × 1



反光罩 BR30 × 1



说明书 × 1



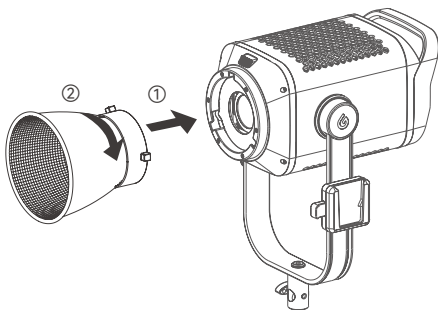
收纳包 × 1

注：①灯体含不可拆卸式 U 架。

②说明书中线图均为示意图，仅供参考，由于产品不断更新与升级，产品实物与线图可能存在差异，请以实物为准。

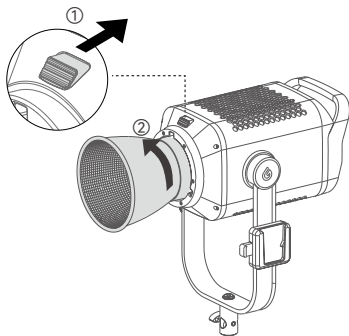
安装反光罩

将反光罩对准灯头卡口插入，顺时针旋转安装。



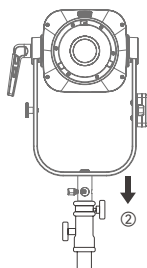
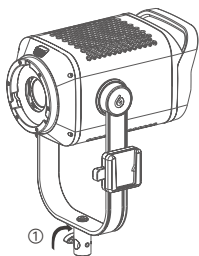
拆卸反光罩

按住卡口推制的同时逆时针旋转反光罩即可。

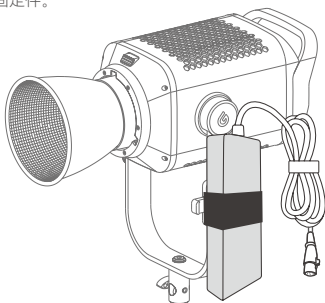


安装至灯架

1. 逆时针拧松 U 架锁紧旋钮，将灯具稳固安装于另购的灯架，再将 U 架锁紧旋钮顺时针拧紧即可。



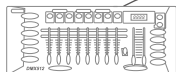
2. 可将适配器插入适配器固定件。



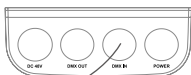
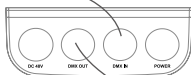
有线 DMX 连接

DMX512

连接多台



DMX512

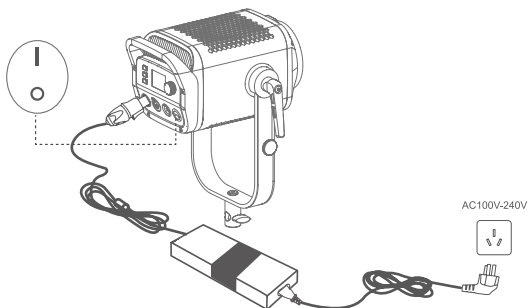


连接多台

注：仅展示连接 DMX512 控制台方式，控制台及连接线需另购。

开关机

接通电源后，拨动开关按键至（**I**）实现开机，拨动开关按键至（**O**）实现关机。

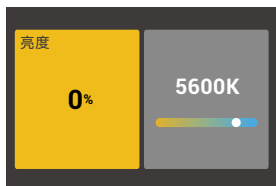


CCT 模式

短按 MODE 按键，出现 CCT 设置界面，通过短按并旋转调节旋钮设置参数值，顺时针旋转递增参数值，逆时针旋转递减参数值。

亮度范围：0% ~ 100%

色温范围：2800K ~ 6500K



FX 光效模式

短按 MODE 按键，出现 FX 光效设置界面，通过旋转调节旋钮可选 11 类光效，短按调节旋钮进入某一类光效的具体设置。



1. 闪光灯

此光效模拟闪光灯闪光或传统镁光灯闪光，常用于营造一种生动、活泼的氛围。

亮度：0% -100%

开关：开启 / 关闭

色温：2800K-6500K

触发：自动 / 手动

速度：1-100

模式：闪光灯 / 镁光灯

2. 雷闪电

此光效模拟雷电的闪电，常用于营造一种紧张、恐怖或神秘的氛围。

亮度：0% -100%

开关：开启 / 关闭

色温：2800K-6500K

触发：自动 / 手动

闪烁次数：随机 /1-10

频率：随机 /2-20

3. 多云

此光效模拟云层遮挡效果，常用于营造一种阴沉、压抑或悲伤氛围。

亮度：0% -100%

开关：开启 / 关闭

亮暗比例：30%-90%

速度：随机 /1-100

4. 坏灯泡

此光效模拟一盏损坏的灯泡闪光，常用于营造昏黄的环境氛围。

亮度：0% -100%

开关：开启 / 关闭

色温：2800K-6500K

速度：1-100

5. 电视机

此光效模拟电视机或屏幕的光线效果，常用于营造出一种冷淡、机械或数字化的氛围。

亮度：0% -100%

开关：开启 / 关闭

速度：1-100

6. 蜡烛

此光效模拟蜡烛的光线效果，常用于营造出一种柔和、温暖、闪烁的氛围。

亮度：0% -100%

开关：开启 / 关闭

速度：1-100

7. 火

此光效模拟火焰的光线效果，常用于营造出一种明亮、热烈、闪烁氛围。

亮度：0% -100%

开关：开启 / 关闭

速度：1-100

8. 烟花

此光效模拟烟花的光线效果，常用于营造出一种绚丽、多彩、浪漫的氛围。

亮度：0% -100%

开关：开启 / 关闭

余烬：1-100

速度：1-100

9. 爆炸

此光效模拟爆炸的光线效果，常用于营造出一种明亮、猛烈、闪烁氛围。

亮度：0% -100%

开关：开启 / 关闭

色温：2800K-6500K

触发：自动 / 手动

余烬：1-100

速度：1-100

10. 焊接

此光效模拟焊接的光线效果，常用于营造出一种炽热、机械的氛围。

亮度：0% -100%

开关：开启 / 关闭

色温：2800K-6500K

速度：1-100

11.SOS SOS

此光效模拟 SOS 求救信号的闪烁效果，常用于营造危险、求救或紧急情况氛围。

亮度：0% -100%

开关：开启 / 关闭

色温：2800K-6500K

注：根据需求旋转调节旋钮设置当前参数值，设置完毕后短按并旋转调节旋钮可跳入下一栏参数进行设置；选中手动时，通过短按一次调节旋钮触发一次该光效；某个光效设置完毕后短按 MODE 按键回到 11 类光效选择界面。

菜单设置

短按 MENU 按键进入菜单界面，旋转并短按调节旋钮可进入图中任意一项的设置，设置完毕短按 MENU 按键回到菜单界面。



DMX

短按调节旋钮进入 DMX 设置，通过短按并旋转调节旋钮设置参数值，如下表所示。

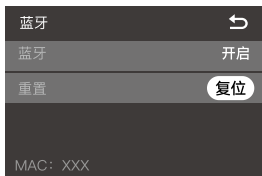
DMX	
地址	1
DMX模式	06:ULTIMTE 16Bit
RDM状态	开启
DMX丢失状态	保持最后状态

一级选项	二级选项	说明
地址	001-512	起始地址
DMX 模式	01: CCT 8 Bit	8 位 CCT 模式
	02: FX 8 Bit	8 位 FX 模式
	03: CCT 16 Bit	16 位 CCT 模式
	04: FX 16 Bit	16 位 FX 模式
	05: ULTIMATE 8 Bit	8 位 ULTIMATE DMX 模式
	06: ULTIMATE 16 Bit	16 位 ULTIMATE DMX 模式
RDM 状态	开启	开启 RDM, 开启后控制台可设置灯具地址及 DMX 模式
	关闭	关闭 RDM
DMX 丢失状态	保持最后状态	失去 DMX 控制信号后, 在关机或再次接收有效 DMX 控制信号前, 持续使用最后一次接收的 DMX 控制信号。
	直接关闭	灯具直接熄灭
	保持最后状态 2 分钟熄灭	失去 DMX 控制信号后, 持续使用最后一次接收的 DMX 控制信号 2 分钟, 2 分钟后灯具熄灭。注: 如 2 分钟内接收到有效 DMX 控制信号, 则使用新的 DMX 控制信号。
终止开关	开启	开启 DMX 终端
	关闭	关闭 DMX 终端
增强通道	开启	开启增强通道信号
	关闭	关闭增强通道信号
DMX 通道表	扫描二维码查看	

注: 使用 DMX/RDM 控制台控制灯具, 可登录官网 <https://www.godox.com.cn/> 下载 DMX 模式表。

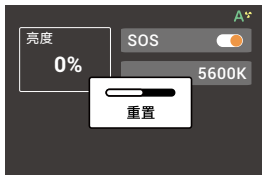
蓝牙

短按调节旋钮进入蓝牙设置，通过短按并旋转调节旋钮设置开启或关闭；如需蓝牙复位，旋转调节旋钮到复位栏，短按调节旋钮即可；下方查看蓝牙 MAC 码，方便查找灯具。



快捷蓝牙重置：

您可以长按蓝牙按键进行蓝牙重置，持续长按时界面出现进度条，当进度条拉满后即处于蓝牙重置中。



“Godox Light”app 下载

扫描二维码即可下载“Godox Light”手机 app（安卓和苹果系统都可以使用）。

注：

1. 首个移动设备（手机或平板电脑）可直接使用 app 操控灯体。更换其他移动设备时，灯体需进行蓝牙重置方可正常使用 app。
2. app 需升级至 V3.0 以上版本。



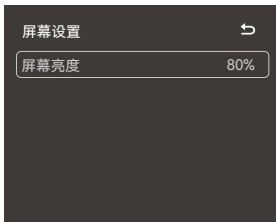
风扇

短按调节旋钮进入风扇设置，通过旋转调节旋钮可选静音 / 自动 / 中速 / 高速，选定后短按调节旋钮完成设置。



屏幕设置

短按调节旋钮进入屏幕设置，通过短按并旋转调节旋钮设置屏幕亮度值，逆时针旋转递减亮度，顺时针旋转递增亮度，范围：10%-100%。



语言

短按调节旋钮进入语言设置，通过旋转调节旋钮可选简体中文 /English，选定后短按调节旋钮完成设置。



版本与升级

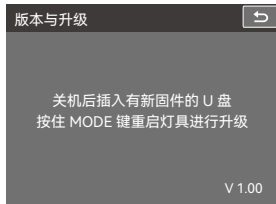
短按调节旋钮进入版本与升级，此界面可查看固件版本号与升级提示。

升级详情

1. 在官网 (<https://www.godox.com.cn/firmware-continuous-light>) 下载新固件到 U 盘上。
2. 在关机状态下，将存有新固件的 U 盘插入 USB-A 接口。
3. 按下 MODE 按键再开机，灯具自动进入升级界面。
4. 升级完毕自动跳回主界面。

注：

1. 必须在官网下载新固件，存放在 U 盘根目录里，而且仅有一个 BIN 文件。
2. USB-A 接口支持供电，输出电压电流 $5V=1.5A$ ，请勿接入大功率 USB 设备。



恢复出厂设置

短按调节旋钮进入恢复出厂设置，通过旋转调节旋钮可选确定 / 取消；短按调节旋钮确定恢复出厂，灯具自动重启，界面出现简体中文和 English 选项，设置需要的语言后灯体亮度值自动变为 100%。



灯具信息

短按调节旋钮进入灯具信息，此界面可查看当前设备的基础信息。



NFC 加灯

通过手机 NFC 功能与灯具 NFC 芯片相互通信后完成快速添加灯具到【Godox light】App 中。

- 1、前置条件：灯具支持 NFC 添加、【Godox light】App 版本 V3.2.4 以上、手机开启蓝牙和 NFC 功能。
- 2、使用方法：前置条件成立情况下，打开【Godox light】进入对应场景中，点击【+】选择【NFC 加灯】功能，进入【NFC 添加设备】页面将手机 NFC 感应区靠近灯具感应区即可完成加灯，支持多灯添加。

注意：Android 系统直接靠近感应加灯，iOS 需点击右上角（）图标后出现弹窗感应加灯。

照度数据

色温	测试条件	照度单位	1m	2m	3m	5m
2800K	裸灯	lux	18900	4760	2170	771
		fc	1750	442	201	72
	搭配反光罩 BR30	lux	164000	35000	14700	5130
		fc	15200	3250	1370	477
3200K	裸灯	lux	20800	5240	2390	850
		fc	1930	487	222	79
	搭配反光罩 BR30	lux	181000	38600	16200	5660
		fc	16800	3590	1510	526
4300K	裸灯	lux	24100	6070	2760	987
		fc	2240	564	257	92
	搭配反光罩 BR30	lux	204500	44700	18800	6560
		fc	18981	4150	1750	609
5600K	裸灯	lux	25500	6340	2880	1030
		fc	2370	589	267	96
	搭配反光罩 BR30	lux	212500	46700	19700	6840
		fc	19724	4340	1830	635
6500K	裸灯	lux	25000	6270	2850	1020
		fc	2320	583	265	95
	搭配反光罩 BR30	lux	210100	46400	19600	6770
		fc	19501	4310	1820	629

注：以上数据均为平均值，非绝对值，以上测试皆在灯体 100% 亮度下进行。

规格参数

型号	LA600Bi
供电	100V-240V~50/60Hz
DC 接口输入功率	48V $\overline{=}$ 600W (Max.)
色温范围	2800K-6500K
调光范围	0% ~ 100%
FX 光效	11 类
CRI	平均 \geq 95
TLCI	平均 \geq 95
控制方式	有线 DMX 控制, 支持 RDM 协议 / 蓝牙 app 控制 / 灯体控制
蓝牙控制距离	60m
USB-A 接口	固件升级 /5V $\overline{=}$ 1.5A 供电
工作环境温度	-20°C~ 45°C
尺寸 (不含反光罩) \approx	275mm*292mm*375mm
净重 (不含反光罩) \approx	4.5kg

设计和规格如有变更, 恕不另行通知。

Important Safety Instructions and Precautions

Godox LED lights, especially those with high power output, are professional equipment and should only be operated by professionals. Carefully read and fully understand the instruction manual before use and strictly follow the safety instructions. Failure to do so may result in death, serious injury, damage to the product, or other property damage.



Danger

- Professional lighting fixture is prohibited for children. When children are near, parents or guardians must supervise closely to prevent them from personal injury due to collision with light or private use of light.
- This product is not ordinary lighting fixture and cannot be used for general lighting. Anyone who has suffered eye damage or has sensitive eyes should avoid using this product. When the light is on, it is forbidden to look directly at the lamp beads under any circumstances. Strong light should be used under the guidance of professional lighting engineers. Avoid prolonged exposure to strong light under any circumstances. If it causes eye discomfort, turn off the light, suspend use and seek medical attention promptly.
- For high-voltage (mains) powered products, use a socket with an earth protection device for power supply.
- When the light is on, it must be used with care. Do not touch high-temperature parts, such as LED lamp beads, to avoid burns.
- Do not use damaged product. Stop using immediately if the product shell is cracked due to falling, squeezing, or strong impact, to avoid touching the internal electronic components and getting an electric shock.
- Please use only the accessories recommended by our factory to avoid fire, electric shock or personal injury. If an extension cord is required, use the original extension cord or one recommended by the manufacturer (an extension cord with a current rating greater than or equal to that of the equipment). Extension cords rated at less than that of the equipment may cause fire, electric shock, other serious personal injury hazards, or property damage.
- Use only intact ground connection cables or ground extension cables that have been expressly recognized by the manufacturer for use in the operation of powered products. Damaged or twisted connection cables must be replaced immediately! The product has a long input power cord, so please place the power cord in a safe position to avoid it coming into contact with overheated objects, being improperly placed and causing damage by pulling, or tripping over on-site personnel.

- Do not disassemble the product without permission. If the product malfunctions, it must be checked and repaired by authorized maintenance personnel. If the lamp bead is damaged or deformed by heat, stop using it, and contact the manufacturer, service agent or qualified maintenance personnel to replace the lamp bead in time to avoid accidents.
- Do not use and store this product in explosive atmospheres (near flammable volatile solvents such as alcohol, gasoline, or gases such as methane and ethane).
- Maintain at least 1 meter distance between the light head and the user, other people, and heat-sensitive or flammable items during and after operation of the product.
- When cleaning and repairing the product, turn off the power before unplugging the product's power cord from the power outlet. When not in use, do not pull the power cord to unplug the product from the power outlet. Unplug the product from the power outlet by grasping both ends of the plug with your hands.



Warning

- This equipment is not waterproof, please keep it dry and do not immerse it in water or other liquids. The equipment should be installed in a dry and ventilated place, and avoid using it in rainy, humid, dusty or overheated environments. Do not place any objects on the light or let liquid flow into the light to avoid accidents.
- Do not block or cover the heat dissipation port of the product.
- After use, the product should be completely cooled before packaging.



Attention

- All transport protective materials and packages on the product must be removed before use.
- When not in use, please turn off the product and stop the power supply promptly.
- Before storing, make sure that the equipment has cooled down completely. For storage, unplug the power cord from the equipment. The equipment should be placed in the carrying case or in a ventilated dry place.
- Please make sure to clean the glass of the lamp bead frequently and keep it clean, the glass may explode if it is stained with mosquito bodies or dark-colored organic matter. When cleaning the device, please do not use a wet cloth to wipe, please use a dry soft cloth to wipe the device dirt.
- The safety instructions are formulated according to the strict testing of the factory, and the design and specifications of the equipment are subject to change without prior notice. Customers can view the latest electronic instruction manuals on the official website of Godox and learn about the latest product information.



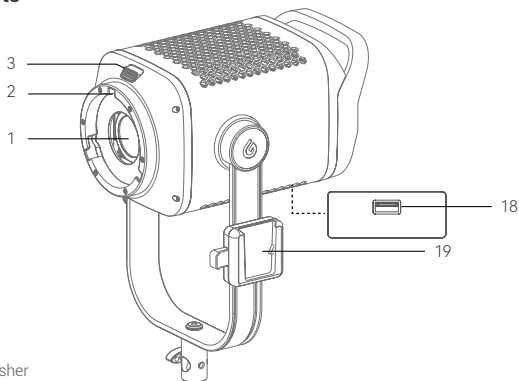
Do not stare at the operating light source.

Foreword

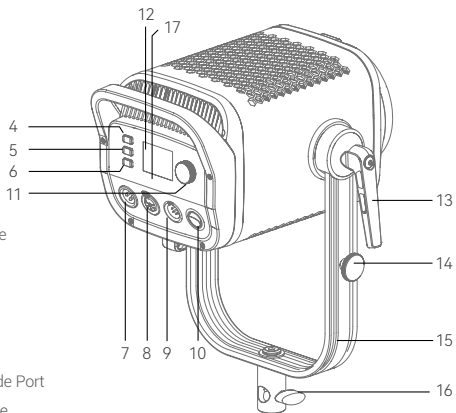
Thank you for purchasing !

LITEMONS bi-color LED light LA600Bi has the following prominent features: wide CCT range from 2800K to 6500K, 11 types of FX modes, high-bright and high-CRI light bead, percentage dimming, wired DMX connection, wireless Bluetooth connection and NFC fixture addition. It is specially designed to provide light source for small scene advertising, microfilm shooting, live streaming and other scenes.

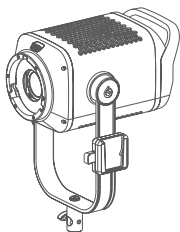
Names of Parts



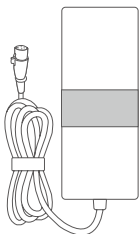
1. Light Bead
2. Bowens Mount
3. Mount Fixing Pusher
4. MODE Button
5. MENU Button
6. Bluetooth Button
7. DC Input Port
8. DMX OUT Port
9. DMX IN Port
10. Power Switch Button
11. Select Dial
12. Display
13. Direction Locking Handle
14. Hanging Device
15. U-type Bracket
16. Bracket Locking Knob
17. NFC Sensing Area
18. USB-A Firmware Upgrade Port
19. Adapter Mounting Device



What's Inside LA600Bi



Light Body × 1



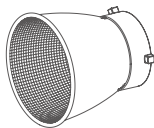
Adapter × 1



AC Power Cord × 1



Steel Rope × 1

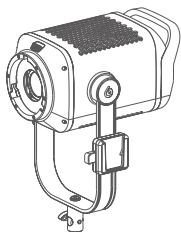


Reflector BR30 × 1

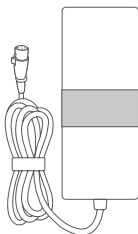


Instruction Manual × 1

What's Inside LA600Bi K1



Light Body × 1



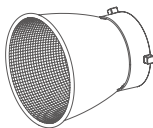
Adapter × 1



AC Power Cord × 1



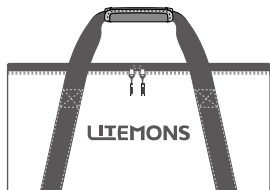
Steel Rope × 1



Reflector BR30 × 1



Instruction Manual × 1



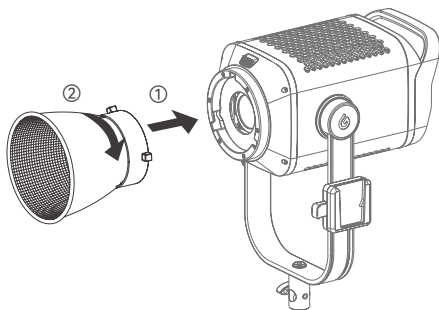
Storage Bag × 1

Note:

- ① The non-detachable U-type bracket is included in the light body.
- ② Due to continuous updates and upgrades of the products, there may be differences between the actual products and the pictures. Therefore, the pictures are for reference only, products to prevail in kind.

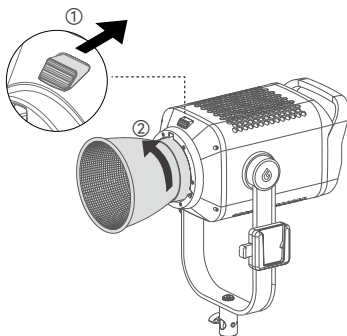
Installing the Reflector

Align the reflector with the light head mount and rotate clockwise to install it.



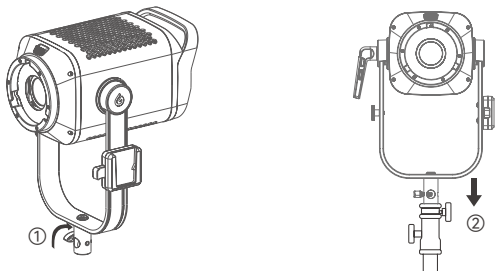
Disassembling the Reflector

Press and hold the mount fixing pusher and rotate counterclockwise to remove the reflector.

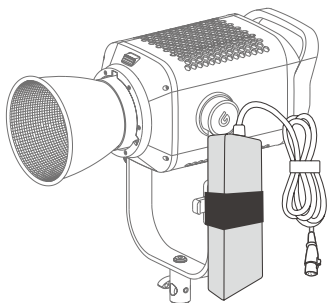


Mounting onto the Light Stand

1. Rotate counterclockwise the U-type bracket locking button to loosen it, install the light body onto the separately purchased light stand firmly, then rotate clockwise the U-type bracket locking button to tighten it.

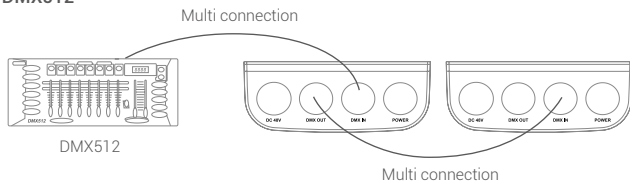


2. Insert the adapter into the adapter mounting device.



Wired DMX Connection

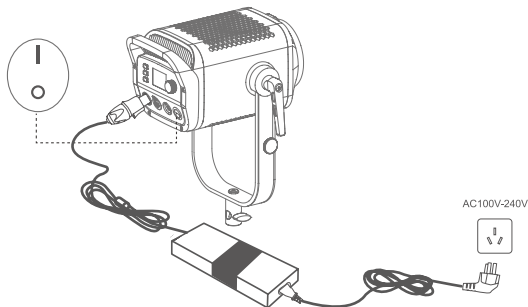
DMX512



Note: The above pictures only show the method to connect the DMX512 controller, the controller and connecting cable are sold separately.

Power Switch

Connect the device to power source, then toggle the power switch button to (I) to turn it on, toggle to (O) to turn it off.

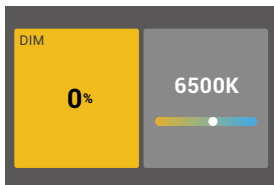


CCT Mode

Short press the MODE button to enter CCT mode interface, in which you can adjust the DIM and CCT. Rotate the select dial clockwise to increase the parameters, while rotate anticlockwise to decrease the parameters.

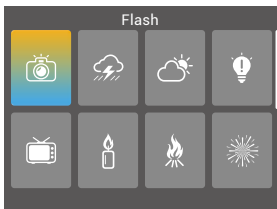
DIM range: 0% ~ 100%

CCT range: 2800K ~ 6500K



FX Mode

Short press the MODE button to enter FX mode interface, in which you can choose among the 11 effects and adjust their respective parameters.



1. Flash

This light effect simulates the flash of a camera flash or a traditional flash bulb, often used to create a lively and dynamic atmosphere.

DIM: 0% -100%

Switch: Turn on/off the effect

CCT: 2800K-6500K

Trigger: Auto/Manual

Speed: 1-100

Mode: Camera Flash/Flash Bulb

2. Lightning

This effect simulates the natural thunder and lightning and is often used to create a tense, terrifying or mysterious atmosphere.

DIM: 0% -100%

Switch: Turn on/off the effect

CCT: 2800K-6500K

Trigger: Auto/Manual

Times: Random/1-10

Frequency: Random /2-20

3. Cloudy

This effect simulates the effect of cloud occlusion and is often used to create a gloomy, oppressive or sad atmosphere.

DIM: 0% -100%

Switch: Turn on/off the effect

Ratio: 30% -90%

Speed: Random/1-100

4. Broken Bulb

This effect simulates the effect of a broken bulb and is often used to create a dim atmosphere.

DIM: 0% -100%

Switch: Turn on/off the effect

CCT: 2800K-6500K

Speed: 1-100

5. TV

This effect simulates the effect of light from a television or screen and is often used to create a cold, mechanical or digital atmosphere.

DIM: 0% -100%

Switch: Turn on/off the effect

Speed: 1-100

6. Candle

This effect simulates the effect of light from a candle and is often used to create a soft, warm, shimmering atmosphere.

DIM: 0% -100%

Switch: Turn on/off the effect

Speed: 1-100

7. Fire

This effect simulates the effect of light from flame and is often used to create a bright, warm, shimmering atmosphere.

DIM: 0% -100%

Switch: Turn on/off the effect

Speed: 1-100

8. Firework

This effect simulates the effect of light from fireworks and is often used to create a gorgeous, colorful, romantic atmosphere.

DIM: 0% -100%

Switch: Turn on/off the effect

Embers: 1-100

Speed: 1-100

9. Explosion

This effect simulates the effect of light from explosion and is often used to create a bright, fierce, shimmering atmosphere.

DIM: 0% -100%

Switch: Turn on/off the effect

CCT: 2800K-6500K

Trigger: Auto/Manual

Embers: 1-100

Speed: 1-100

10. Welding

This effect simulates the effect of light from welding and is often used to create a hot, mechanical atmosphere.

DIM: 0% -100%

Switch: Turn on/off the effect

CCT: 2800K-6500K

Speed: 1-100

11.SOS SOS

This effect simulates the flashing effect of an SOS signal and is often used to create a dangerous, distress or emergency atmosphere.

DIM: 0% -100%

Switch: Turn on/off the effect

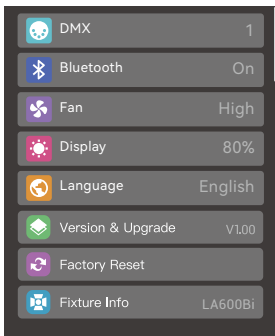
CCT: 2800K-6500K

Note: Please rotate the select dial to adjust the parameters, then press and rotate it to the next parameter. Select manual, the effect can be triggered once by pressing the select dial once. After a certain effect is set, press MODE button can return to the 11 effects interface.

MENU Settings

Press the MENU button to enter menu interface, rotate and press the select dial to enter the following setting options, press the MENU button can return to the MENU interface.

Note: Please rotate the select dial to adjust the parameters, then press and rotate it to the next parameter. Select manual, the effect can be triggered once by pressing the select dial once. After a certain effect is set, press MODE button can return to the 11 effects interface.



DMX

Short press the select dial to enter DMX interface, press and rotate the select dial to adjust the following settings.

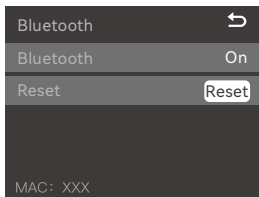
DMX	
Address	1
DMX Mode	06:ULTIMATE 16Bit
RDM State	On
DMX State	Hold Last Command

Level 1 Option	Level 2 Option	Description
Address	001-512	Initial address
DMX Mode	01: CCT 8 Bit	CCT mode in 8bit
	02: FX 8 Bit	FX mode in 8bit
	03: CCT 16 Bit	CCT mode in 16bit
	04: FX 16 Bit	FX mode in 16bit
	05: ULTIMATE 8 Bit	ULTIMATE DMX mode in 8bit
	06: ULTIMATE 16 Bit	ULTIMATE DMX mode in 16bit
RDM State	On	Turn on RDM, the controller can set the fixture address and DMX mode
	Off	Turn off RDM
DMX Lost	Hold Last Command	After the DMX control signal is lost, continue to use the last received DMX control signal until power down or a valid DMX control signal is received again.
	Black Out	The light is off immediately.
	Black Out After 2 min	After the DMX control signal is lost, continue to use the last received DMX control signal for 2 minutes then black out. Note: If a valid DMX control signal is received within 2 minutes, then use the new DMX control signal.
Termination	On	Turn on DMX terminal
	Off	Turn off DMX terminal
Extend DMX Channels	On	Turn on extend DMX channels
	Off	Turn off extend DMX channels
DMX Table	Scan the QR code to check DMX table	

Note: Please refer to the DMX Mode Specification to control the device by DMX/RDM. The electronic version can be downloaded from the official website <https://www.godox.com>.

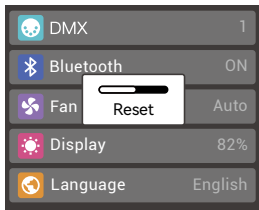
Bluetooth

Short press the select dial to enter Bluetooth interface, press and rotate the select dial to turn on/off, or reset. The MAC code is on the corner for quick check.



Bluetooth Quick Reset

Press and hold the Bluetooth button to quickly reset the Bluetooth, the "Reset" progress bar will appear on the display, and the Bluetooth is resetting when the progress bar is full.



"GODOX Light" app Downloading

Scan the QR code to download the "Godox Light" smartphone app (can be used in Android and iOS).

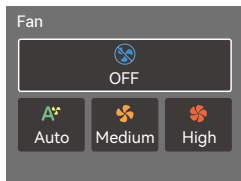
Note:

1. The app can be used directly on the firstly installed device (smartphone or iPad). When change to other mobile device (smartphone or iPad), the light shall be reset before the normal connection of the app.
2. The app should be version 3.0 or above.



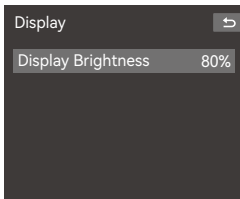
Fan

Short press the select dial to enter fan interface, press and rotate the select dial to choose among off, auto, medium and high, then press the select dial to confirm the setting.



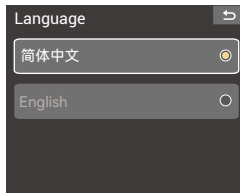
Display

Short press the select dial to enter display interface, press and rotate the select dial to adjust the display brightness from 10% to 100%.



Language

Short press the select dial to enter language interface, press and rotate the select dial to choose between simplified Chinese and English.



Version & Upgrade

Short press the select dial to enter version & upgrade interface to check the firmware version and upgrade instruction.

Firmware Upgrade

1. Download the new firmware to the U disk from official website (<https://www.godox.com/firmware-continuous-light>).
2. Turn off the device. Insert the U disk with new firmware into the USB-A port.
3. Press and hold the MODE button then turn on the device, and it will automatically enter the upgrading interface.
4. It will return to main interface after completion.

Notes:

1. New firmware must be downloaded from the official website, and keep only one BIN file in the root directory of the USB disk.
2. The USB-A port can only support output voltage and current of 5V=1.5A. Do not connect to over-rated USB device.



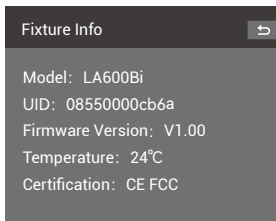
Factory Reset

Short press the select dial to enter factory reset interface to choose yes or no. If you choose yes, the device will automatically reset and reboot, then simplified Chinese and English options show on the display for your choice, after which the brightness will turn to 100% automatically.



Fixture Info


Short press the select dial to enter fixture info interface to check the basic information of the product.



NFC Addition

Use the NFC function of smartphone and NFC chip of the light fixture to connect them, then add the light fixture to **【Godox Light】** app.

1. Preconditions: light fixture supports NFC addition, **【Godox Light】** app is V3.2.4 or above, Bluetooth and NFC functions of smartphone are turned on.
2. Operation Instructions: subject to the fulfillment of preconditions, turn on the **【Godox Light】** app and enter the corresponding scene, click **【+】** to select **【NFC Addition】** function, bring the NFC sensing area of smartphone near the sensing area of light fixture to scan to add in **【NFC Addition】** interface, bulk addition is also supported.

Note: Android systems can complete the addition by directly closing the sensing area, while iOS system need to click the  icon on the right top and wait for the pop-up window then add.

Illuminance Data

CCT	Testing Condition	Unit	1m	2m	3m	5m
2800K	Bare Light	lux	18900	4760	2170	771
		fc	1750	442	201	72
	With Reflector BR30	lux	164000	35000	14700	5130
		fc	15200	3250	1370	477
3200K	Bare Light	lux	20800	5240	2390	850
		fc	1930	487	222	79
	With Reflector BR30	lux	181000	38600	16200	5660
		fc	16800	3590	1510	526
4300K	Bare Light	lux	24100	6070	2760	987
		fc	2240	564	257	92
	With Reflector BR30	lux	204500	44700	18800	6560
		fc	18981	4150	1750	609
5600K	Bare Light	lux	25500	6340	2880	1030
		fc	2370	589	267	96
	With Reflector BR30	lux	212500	46700	19700	6840
		fc	19724	4340	1830	635
6500K	Bare Light	lux	25000	6270	2850	1020
		fc	2320	583	265	95
	With Reflector BR30	lux	210100	46400	19600	6770
		fc	19501	4310	1820	629

Note: All the data are average values instead of absolute values. All the above tests are based on the condition of 100% brightness.

Technical Data

Model	LA600Bi
Power Supply	100V-240V~50/60Hz
DC Port Input Power	48V $\overline{=}$ 600W (Max.)
CCT Range	2800K - 6500K
Brightness Range	0% ~ 100%
FX Modes	11
CRI	Average \geq 95
TLCI	Average \geq 95
Controlling Methods	Wired DMX Control, support RDM protocol/ Bluetooth app/light body control
Bluetooth Controlling Distance	60m
USB-A Port	Firmware Upgrade/5V $\overline{=}$ 1.5A Power Supply
Working Environment Temperature	-20°C ~ 45°C
Dimension (without reflector) \approx	10.83"*11.5"*14.76"
Net Weight (without reflector) \approx	4.5kg

Specifications and data may subject to changes without notice.

FCC Statement

This device complies with part 15 of the FCC Rules. Operation is subject to the following two conditions:

- (1) This device may not cause harmful interference, and
- (2) this device must accept any interference received, including interference that may cause undesired operation.

Any Changes or modifications not expressly approved by the party responsible for compliance could void the user's authority to operate the equipment.

Note: This equipment has been tested and found to comply with the limits for a Class B digital device, pursuant to part 15 of the FCC Rules. These limits are designed to provide reasonable protection against harmful interference in a residential installation. This equipment generates uses and can radiate radio frequency energy and, if not installed and used in accordance with the instructions, may cause harmful interference to radio communications. However, there is no guarantee that interference will not occur in a particular installation. If this equipment does cause harmful interference to radio or television reception, which can be determined by turning the equipment off and on, the user is encouraged to try to correct the interference by one or more of the following measures:

- Reorient or relocate the receiving antenna.
- Increase the separation between the equipment and receiver.
- Connect the equipment into an outlet on a circuit different from that to which the receiver is connected.
- Consult the dealer or an experienced radio/TV technician for help.

The device has been evaluated to meet general RF exposure requirement.

The device can be used in portable exposure condition without restriction.

Warning

Operating frequency:2402MHz – 2480MHz(BT)

Maximum EIRP Power: 5dBm(BT)

Declaration of Conformity

GODOX Photo Equipment Co.,Ltd. hereby declares that this equipment are in compliance with the essential requirements and other relevant provisions of Directive 2014/53/EU. In accordance with Article 10(2) and Article 10(10), this product is allowed to be used in all EU member states. For more information of DoC, Please click this web link:

<https://www.godox.com/eu-declaration-of-conformity/>

The device complies with RF specifications when the device used at 0mm from your body.

IC Warning

Le présent appareil est conforme aux CNR d'Industrie Canada applicables aux appareils radio exempts de licence. L'exploitation est autorisée aux deux conditions suivantes:

- (1) l'appareil ne doit pas produire de brouillage, et
- (2) l'utilisateur de l'appareil doit accepter tout brouillage radioélectrique subi, même si le brouillage est susceptible d'en compromettre le fonctionnement

Tout changement ou modification non expressément approuvé par la partie responsable de la réglementation de l'OCDE peut faire perdre à l'utilisateur le droit d'utiliser l'appareil.

Remarque: cet appareil a été testé pour répondre aux limites des appareils numériques de classe B conformément à la partie 15 des règles de la Federal Communications Commission des États - Unis. Ces limites sont conçues pour fournir une protection raisonnable contre les interférences nuisibles dans les installations résidentielles. L'appareil génère de l'énergie RF utilisée et rayonne, ce qui peut causer des interférences nocives pour les communications radio s'il n'est pas installé et utilisé conformément aux instructions. Cependant, aucune Garantie contre les interférences dans une installation spécifique. Si l'appareil cause des interférences nuisibles à la réception de la radio ou de la télévision, qui peuvent être déterminées en éteignant et en allumant l'appareil, l'utilisateur est encouragé à tenter de corriger les interférences par une ou plusieurs des mesures suivantes:

- redirection ou repositionnement de l'antenne de réception.
- augmenter l'espacement entre l'appareil et le récepteur.
- Connecter l'appareil à une prise sur un circuit différent de celui auquel le récepteur est connecté.
- consultez votre revendeur ou un technicien radio / tv expérimenté pour obtenir de l'aide.

Avertissement RF pour les appareils portables:

L'appareil a été évalué pour répondre aux exigences générales d'exposition aux radiofréquences. Équipement Peut être utilisé sans restriction dans des conditions d'exposition portables.

产品保修

尊敬的用户，本保修卡是申请保修服务的重要凭证，请您配合销售商填写并妥善保管，谢谢！

产品信息	型号	产品条码
用户信息	姓名	联系电话
	通信地址	
销售商信息	名称	
	联系电话	
	通信地址	
	销售日期	
备注		

注：此表应由销售商盖章确认。

适用产品

本文件适用于相关《产品保修信息》(见后面说明)所列产品,其他非属此范围的产品或部件(如促销品、赠品及其他出厂后附加的部件等)不在此保修承诺内。

保修期

产品及部件的相应保修期按相关的《产品保修信息》执行。保修期自产品首次购买日起算，购买日以购买产品时保修卡登记日期为准。

如何获得保修服务

您可直接与产品销售商或授权服务机构联系，也可拨打神牛产品售后服务电话，与我们联系，由我们的服务人员为您安排服务。申请保修时，您应提供有效的保修卡作为保修凭证，方可获得保修。如您不能提供有效的保修卡，则在我们确认产品或部件属于保修范围的情况下，也可以为您提供保修，但这不作为我们的义务。

不适用保修情况

如产品存在下列情况，本文件项下的保证和服务将不适用：①产品或部件超过相应保修期；②错误或不当使用、维护或保管导致的故障或损坏，如：不当搬运；非按产品合理预期用途使用；不当插拔外接设备；跌落或外力挤压；接触或暴露于不适当温度、溶剂、酸碱、水浸或潮湿环境；③由非神牛授权机构或人员安装、修理、更改、添加或拆卸造成的故障或损坏；④产品或部件原有识别信息被修改变更或删除；⑤无有效保修卡；⑥使用非合法授权、非标准或非公开发行的软件造成的故障或损坏；⑦因不可抗力或意外事件造成的故障或损坏；⑧其他非因产品本身质量问题导致的故障或损坏。遇上述情况，您应向相关责任方寻求解决，神牛对此不承担任何责任。因非在保修期或保修范围内的部件、附件或软件导致产品不能正常使用的，不是保修范围内的故障。产品使用过程中正常的脱色，磨损和消耗，不是保修范围内的故障。

产品保修和服务支持信息

产品的保修期和服务类型按以下《产品保修信息》执行：

产品类别	选件名称	保修期（月）	保修服务类型
带电性能的部件	电路板	12	客户送修
其他	适配器、线材、反光罩或其他包装	无	无保修

神牛产品售后服务电话 0755-29609320-8062

Warranty

Dear customers, as this warranty card is an important certificate to apply for our maintenance service, please fill in the following form in coordination with the seller and safe-keep it. Thank you!

Product Information	Model	Product Code Number
Customer Information	Name	Contact Number
	Address	
Seller Information	Name	
	Contact Number	
	Address	
	Date of Sale	
Note		

Note: This form shall be sealed by the seller.

Applicable Products

Applicable Products The document applies to the products listed on the Product Maintenance Information (see below for further information). Other products or accessories (e.g. promotional items, giveaways and additional accessories attached, etc.) are not included in this warranty scope.

Warranty Period

The warranty period of products and accessories is implemented according to the relevant Product Maintenance Information. The warranty period is calculated from the day (purchase date) when the product is bought for the first time, and the purchase date is considered as the date registered on the warranty card when buying the product.

How to Get the Maintenance Service

If maintenance service is needed, you can directly contact the product distributor or authorized service institutions. You can also contact the Godox after-sale service call and we will offer you service. When applying for maintenance service, you should provide valid warranty card. If you cannot provide valid warranty card, we may offer you maintenance service once confirmed that the product or accessory is involved in the maintenance scope, but that shall not be considered as our obligation.

Inapplicable Cases

The guarantee and service offered by this document are not applicable in the following cases: ① **The product or accessory has expired its warranty period;** ② **Breakage or damage caused by inappropriate usage, maintenance or preservation, such as improper packing, improper usage, improper plugging in/out external equipment, falling off or squeezing by external force, contacting or exposing to the improper temperature, solvent, acid, base, flooding and damp environments, etc;** ③ **Breakage or damage caused by non-authorized institution or staff in the process of installation, maintenance, alternation, addition and detachment;** ④ **The original identifying information of product or accessory is modified, alternated, or removed;** ⑤ **No valid warranty card;** ⑥ **Breakage or damage caused by using illegally authorized, nonstandard or non-public released software;** ⑦ **Breakage or damage caused by force majeure or accident;** ⑧ **Breakage or damage that could not be attributed to the product itself.** Once met these situations above, you should seek solutions from the related responsible parties and Godox assumes no responsibility. The damage caused by parts, accessories and software that beyond the warranty period or scope is not included in our maintenance scope. The normal discoloration, abrasion and consumption are not the breakage within the maintenance scope.

Maintenance and Service Support Information

The warranty period and service types of products are implemented according to the following Product Maintenance Information:

Product Type	Name	Maintenance Period(month)	Warranty Service Type
Parts with electrical properties	Circuit board	12	Customer sends the product to designated site
Other Items	Adapter, cable, reflector, or other packages, etc.	NO	Without warranty

Godox After-sale Service Call +86-755-29609320(8062)

合格证
QC PASS



Wechat
Official Account
神牛微信公众号

深圳市神牛摄影器材有限公司

地址：深圳市宝安区福海街道塘尾社区耀川工业园厂房 2 栋
电话：0755-29609320 (8062) 传真：0755-25723423 邮箱：godox@godox.com

GODOX Photo Equipment Co., Ltd.

Addr.: Building 2, Yaochuan Industrial Zone, Tangwei Community, Fuhai Street, Bao'an District, Shenzhen
518103, China Tel: +86-755-29609320(8062) Fax: +86-755-25723423 E-mail: godox@godox.com

www.godox.com

Made in China | 705-LA60B0-00

