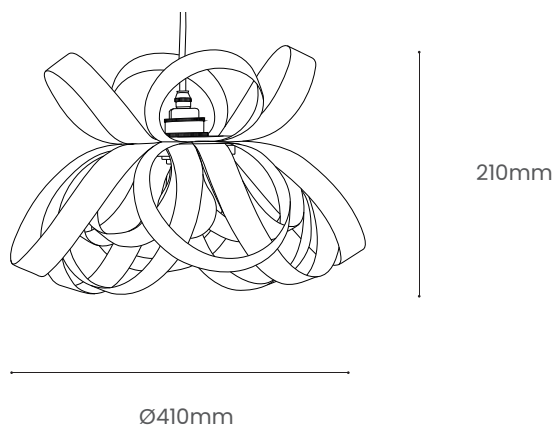


# COVE SKIPPER PENDANT SMALL

Tom Raffield

## Product Specification



Swathed in serene, coastal shades the Cove Lighting Collection echoes the tranquil hues of Cornwall's hidden coves. Familiar forms take on a new radiance as our most beloved designs are reborn in the captivating colours of the Cornish coast. Transforming any space, this striking lighting range reflects your unique style and brightens any room.

Scandinavian design principles and our sought-after aesthetic, merged. Formed from sustainably sourced wood, enveloped in a colourful, environmentally friendly paint, each Cove Small Skipper Pendant is individually handcrafted by our skilled workshop team using a dry construction method to last over a lifetime. Casting light up and out from its intricate wooden silhouette, the Skipper produces bright light and bold, contrasting shadows.

Dive into coastal colour, reinvigorate your space.

Product Type : Pendant Light	SKU	Colours	Dimensions L x W x H (mm)		Weight (kg)	
			Unboxed	Boxed	Unboxed	Boxed
Cove Skipper Pendant Small	TR-SKIP-P-WHT-SML	Chalk White	Ø410 x 210	470 x 470 x 330	0.2	1.3
	TR-SKIP-P-RED-SML	Ember Red				
	TR-SKIP-P-BLU-SML	Falmouth Blue				
	TR-SKIP-P-GRN-SML	Sea Glass Green				
	TR-SKIP-P-PNK-SML	Shell Pink				
Colours	Chalk White	Ember Red	Falmouth Blue	Other materials		
	Sea Glass Green	Shell Pink		Beech	Birch ply hanging disk	
Finish	Non-toxic, hard wearing water based varnish - satin					
Wiring kit option : 1	Black ceiling rose and brass bulb holder	Ceiling kit	Flex	Recommended light bulb		
		Ceiling rose: Ø100mm E27 (240v) / E26 (110v)	Flex colour: black fabric Flex length: 2m (Adjustable)	Max 25W LED		
Wiring kit option : 2	Brushed steel ceiling rose and bulb holder	Ceiling kit	Flex	Recommended light bulb		
		Ceiling rose: Ø100mm E27 (240v) / E26 (110v)	Flex colour: light grey fabric Flex length: 2m (Adjustable)	Max 25W LED		
Care information	Dusting your light regularly and with a light feather duster should keep your light looking clean, otherwise wipe with a damp cloth and remove any moisture with a dry cloth. Gentle furniture polishes can also be used.					
Additional information	<ul style="list-style-type: none"> <li>This light can be used with your existing E27/E26 pendant fitting. Suitable for use on 240v and 110v circuits.</li> <li>A shade ring adaptor can be fitted so the light can be used on a bayonet (B22) pendant fitting.</li> <li>Installation instructions included.</li> </ul>					