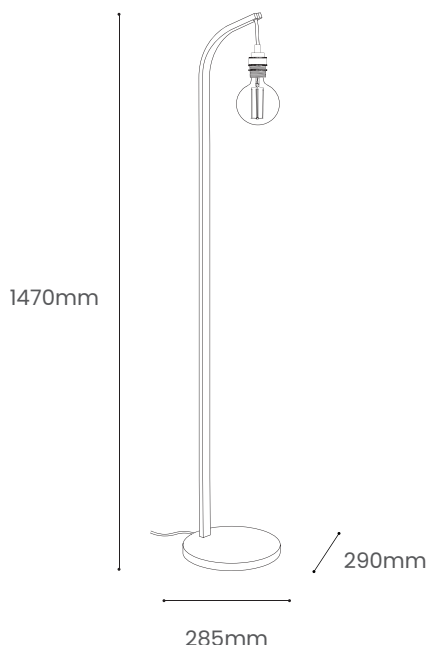


COVE MOORING FLOOR LIGHT

Tom Raffield

Product Specification



Swathed in serene, coastal shades the Cove Lighting Collection echoes the tranquil hues of Cornwall’s hidden coves. Familiar forms take on a new radiance as our most beloved designs are reborn in the captivating colours of the Cornish coast. Transforming any space, this striking lighting range reflects your unique style and brightens any room.

Handcrafted in sustainably sourced solid wood, and hand finished in a colourful, environmentally friendly paint, the Cove Mooring Floor Light’s steam bent curve arches up from its round base. A single bulb halos out light, bright and striking in the dark, perfectly positioned for illuminating a side table or desk. Use the vibrant tones to create ambience in your living space or accentuate your reading nook. Radiating endless illumination; this minimalist wooden floor light is the ultimate balance between form and function.

Dive into coastal colour, reinvigorate your space.

Product Type : Floor Light	SKU	Colours	Dimensions L x W x H (mm)		Weight (kg)	
			Unboxed	Boxed	Unboxed	Boxed
Cove Mooring Floor Light	TR-MRG-FLR-RED	Ember Red	285 x 1470 x 290	315 x 1550 x 315	2.30	7.80
	TR-MRG-FLR-BLU	Falmouth Blue				
	TR-MRG-FLR-GRN	Sea Glass Green				
	TR-MRG-FLR-PNK	Shell Pink				
Colours	Ember Red	Falmouth Blue	Materials			
	Sea Glass Green	Shell Pink	Oak		Brass Fittings	
Finish	Wooden floor stand - Finished with a blend of natural wax oils to give a protective, hardwearing and beautiful finish. Shade - Non-toxic, hard wearing water based varnish - satin					
Wiring kit options	Brass bulb holder with black inline dimmer switch and plug	Wiring kit Plastic inline foot switch E27 (240v)	Flex Flex colour: grey fabric Cable length: 240cm from switch to bulb holder. 115cm from switch to plug.	Recommended light bulb Max 25W LED		
Care information	Dusting your light regularly and with a light feather duster should keep your light looking clean, otherwise wipe with a damp cloth and remove any moisture with a dry cloth. Gentle furniture polishes can also be used.					
Additional information	<ul style="list-style-type: none"> Suitable for use on 240v circuits. This product can be plugged straight into a 240v outlet. Assembly instructions and fixings included. 					