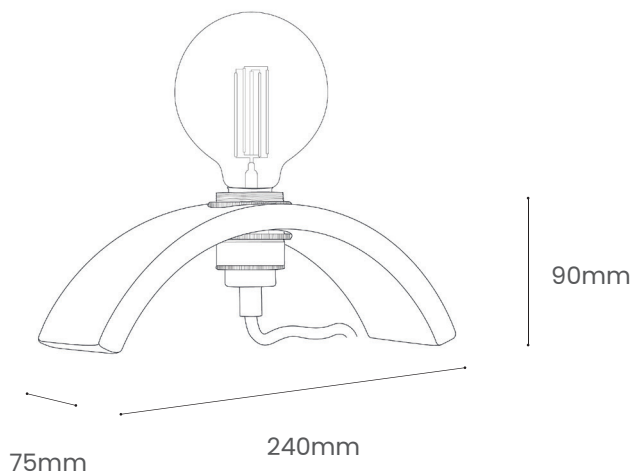


# NOCTIS ARCHER TABLE LIGHT

Product Specification






Tom Raffield



Bold, ebonised design and our sought-after wooden aesthetic, merged. With confidence in its definitive silhouettes, The Noctis Range showcases a new focus and brings daring, darker depths to interiors.

Inspired by industrial simplicity, the Archer Table Light is handcrafted from steam bent, ebonised wood and is accented by a brass light fitting that nestles into its architectural base. A striking, standalone table light design that showcases confident curves and a timeless aesthetic.

Invite darkness into the light.

Product Type : Table Light	SKU	Wood types	Dimensions L x W x H (mm)		Weight (kg)	
			Unboxed	Boxed	Unboxed	Boxed
Noctis Archer Table Light	TR-NCT-ARCH-TBL	Oak	240 x 75 x 90	270 x 130 x 100	0.55	0.8
Materials	Ebonised Wood 	Materials				
		Oak 	Brass Fittings 			
Finish	Finished with a blend of natural wax oils to give a protective, hardwearing and beautiful finish.					
Wiring kit options	Brass bulb holder with black inline switch and plug 	Wiring kit Plastic inline switch E27 (240v)	Flex Flex colour: grey fabric  Cable length: 228cm from plug to bulb holder	Recommended light bulb Max 25W LED		
Care information	Dusting your light regularly and with a light feather duster should keep your light looking clean, otherwise wipe with a damp cloth and remove any moisture with a dry cloth. Gentle furniture polishes can also be used.					
Additional information	<ul style="list-style-type: none"> <li>Suitable for use on 240v circuits.</li> <li>This product can be plugged straight into a 240v outlet.</li> </ul>					