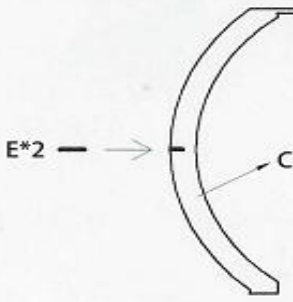
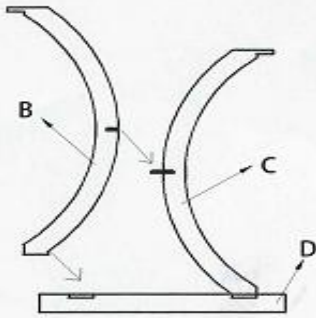
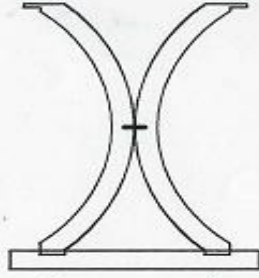

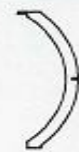

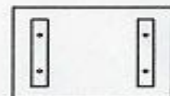


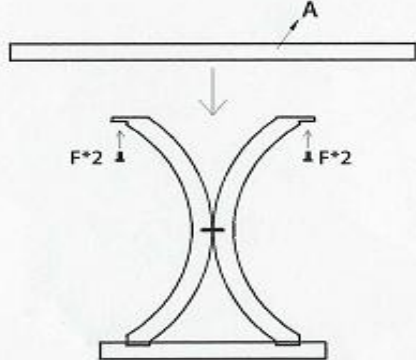
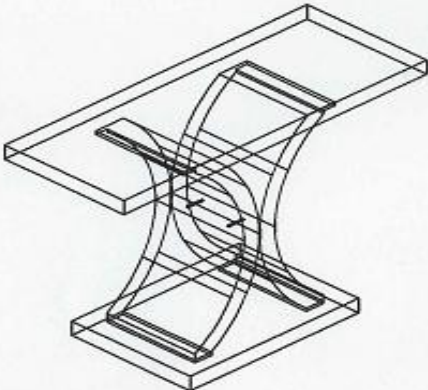


Assemble Instruction

51201-21

| | | | |
|---|--|--|--|
| <p>1</p>  <p>Take Part C and insert Part E*2 into hole provided in centre of unit</p> | <p>2</p>  <p>Take Part D and place on floor, then insert part B and C, TAKE CARE AS PRODUCT IS DELICATE</p> | <p>3</p>  <p>Take Part F*4 and insert in base using holes provided. DO NOT OVER TIGHTEN</p> | <p>A*1</p>  <p>B*1</p>  <p>C*1</p>  <p>D*1</p>  <p>E*2</p>  <p>DIA8*40mm</p> <p>F*8</p>  <p>DIA4*30mm</p> |
| <p>4</p>  <p>Take Part A insert on top of part B and C. Use part F*4 to secure in place DO NOT OVER TIGHTEN</p> | <p>5</p>  <p>Product should now be complete, take care when moving as this is mirror and breakable with the use of force.</p> | | |

THIS IS A FRAGILE MIRRORED ITEM, PLEASE FOLLOW THE INSTRUCTION AND ASSEMBLE IT GENTLY.