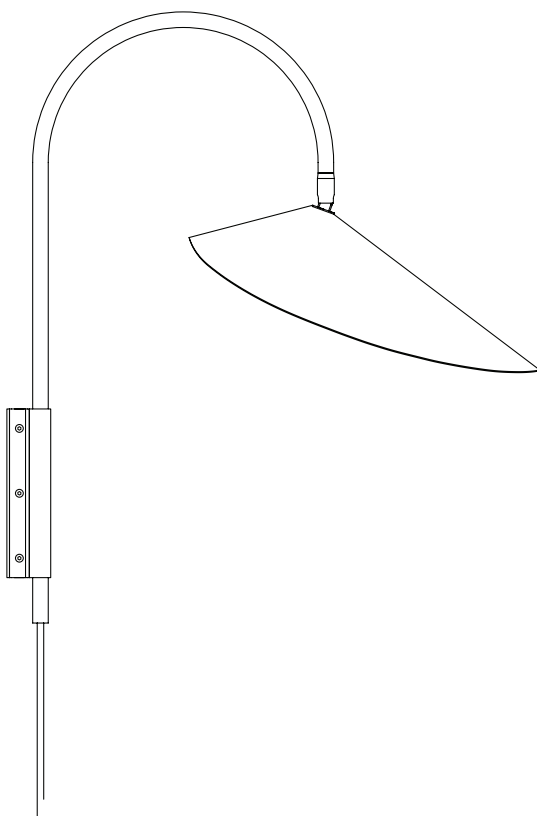


# Arum Swivel Wall Lamp

---

Assembly manual



ferm  
L I V I N G

# General Instructions

## PLEASE READ BEFORE INSTALLATION

### WARNING:

The safety of this fitting can only be guaranteed if the following instructions are observed during both installation and use. Please retain these instructions safely after installation.

### PLEASE OBSERVE THE FOLLOWING GUIDELINES:

- Ensure that the power supply has been switched off prior to installation or removal of the product.
- Never undertake an electrical installation without the proper knowledge or training. If not familiar with electrical wiring, contact a qualified electrician.
- The product may in no way be modified or tampered with. Any modification may compromise safety and make the product itself dangerous to use. FERM LIVING does not accept any responsibility for products that have been modified.
- This product requires the use of a lightbulb that is not included. Please use a lightbulb that has the relevant safety certifications and approvals for your area.
- Any modification must be performed only by qualified personnel to avoid any danger.
- This product is meant for indoor use only.
- This appliance should not be disposed in a domestic trash receptacle and should instead be recycled appropriately.

### CLEANING INSTRUCTIONS:

- Use only a soft cloth to clean the product. Dampen the cloth with water and soap or a mild cleanser if needed.

### MORE INFORMATION:

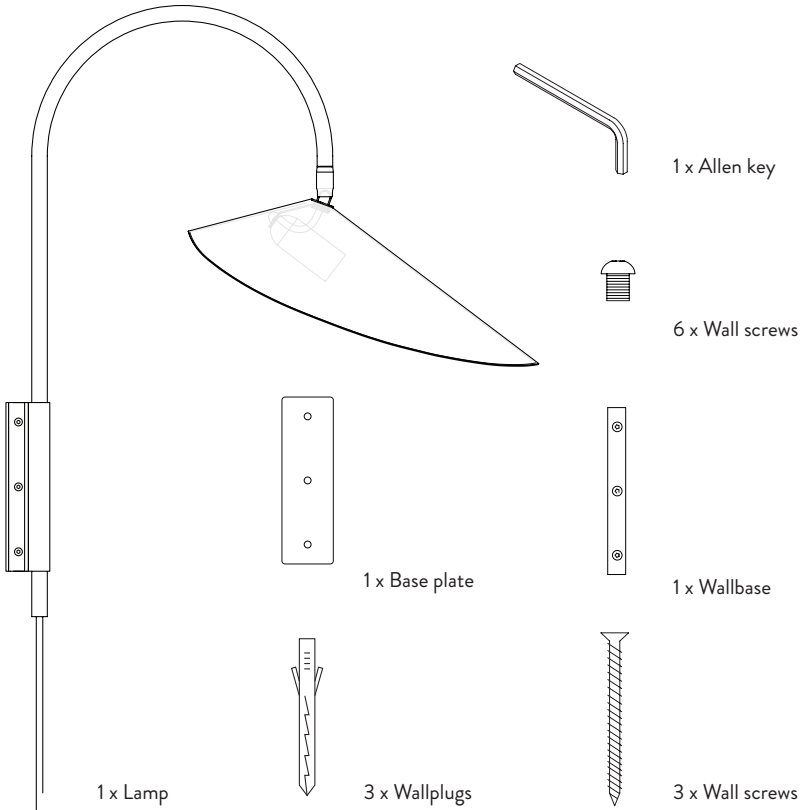
To access further information such as product overview and material descriptions, please visit our website at [www.fermliving.com](http://www.fermliving.com). If you have any questions or comments, please do not hesitate to contact us at [info@fermliving.com](mailto:info@fermliving.com).

## Technical Specifications

### ARUM SWIVEL WALL LAMP

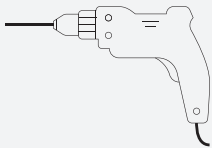
Voltage:	220-240V – 50Hz
Dimmable:	No
Certification:	CE, UKCA, SAA, IP20 Class II
Socket:	E14 socket base
Recommended light source:	Bulb max 25w incandescent or max 12w LED

## Box Content



## Tools

### NEEDED TOOLS



Electrical drill



Screwdriver Cross



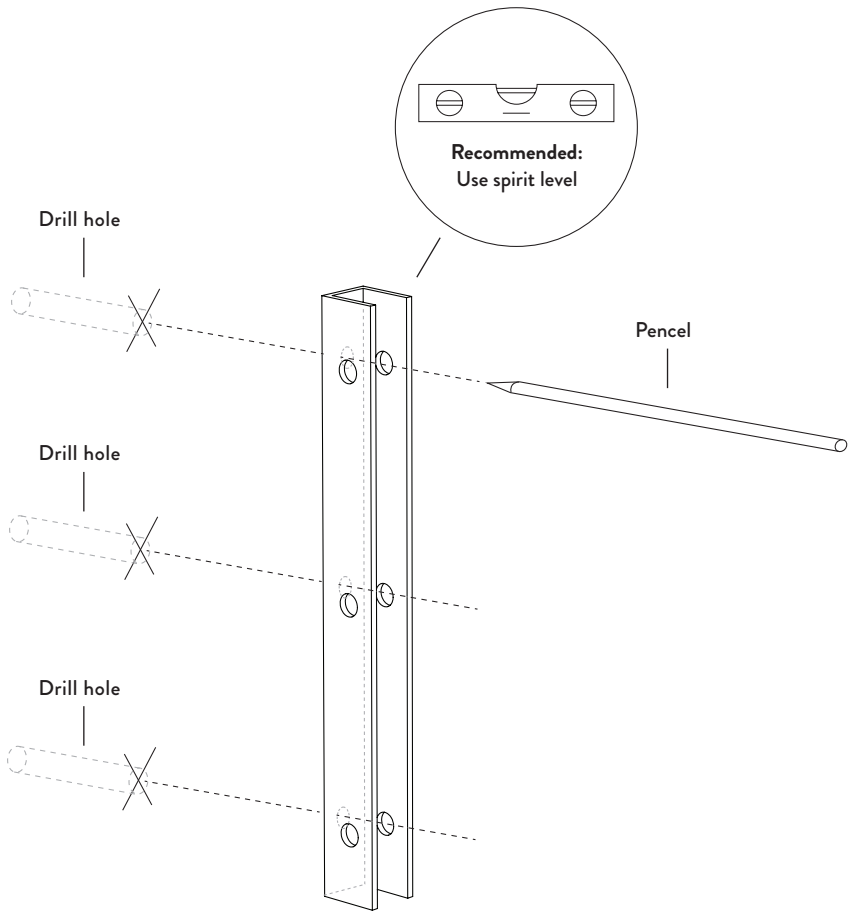
Pencil

### RECOMMENDED TOOLS



# Assembly Process

1

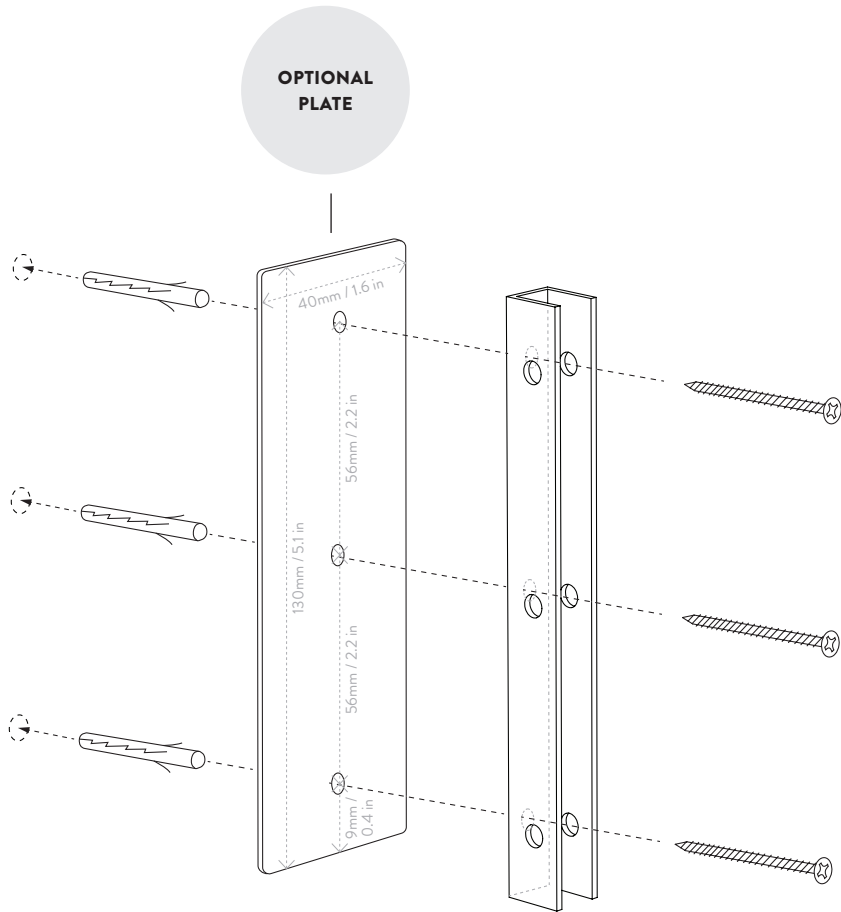


Mark three holes on the wall with a pencil and drill holes with the electric drill.

**Recommended:** Use the spirit level to position the bracket

# Assembly Process

2

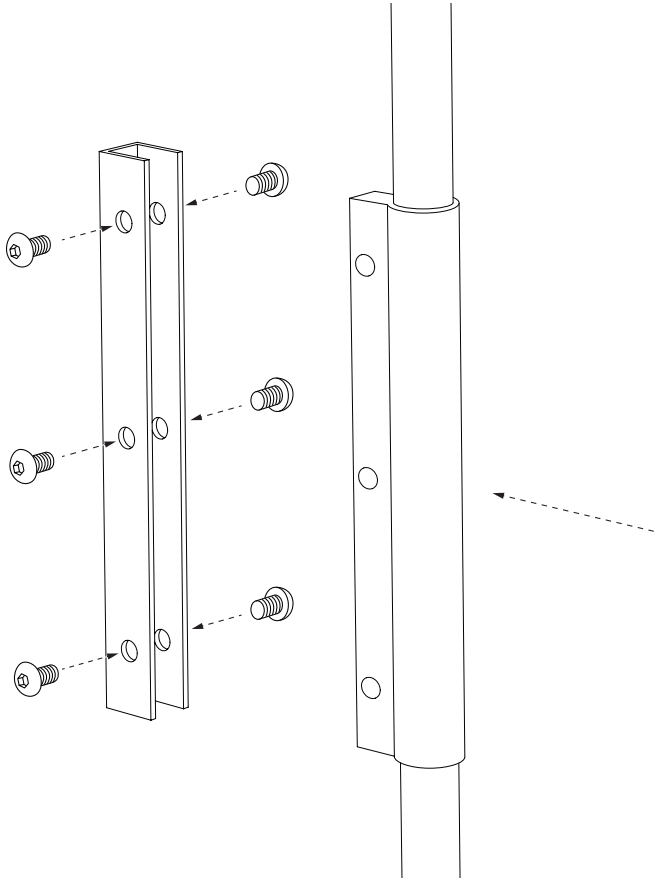


Mount the wallbase to the wall by using 3 wallplugs and the 3 longer screws.

**Optional:** Mount the base plate before the wallbase

# Assembly Process

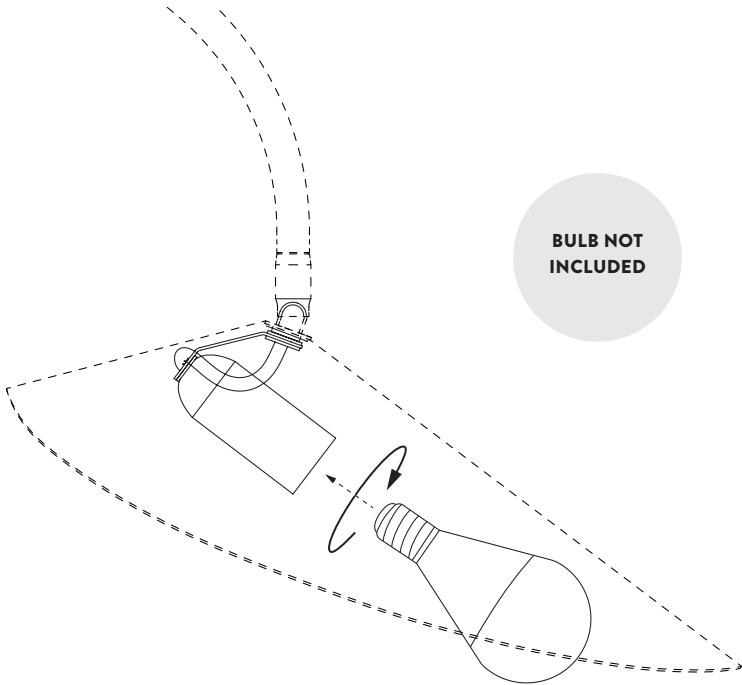
3



Mount the lamp on the wallbase with the 6 screws, 3 on each side..  
Use the Allen key

# Assembly Process

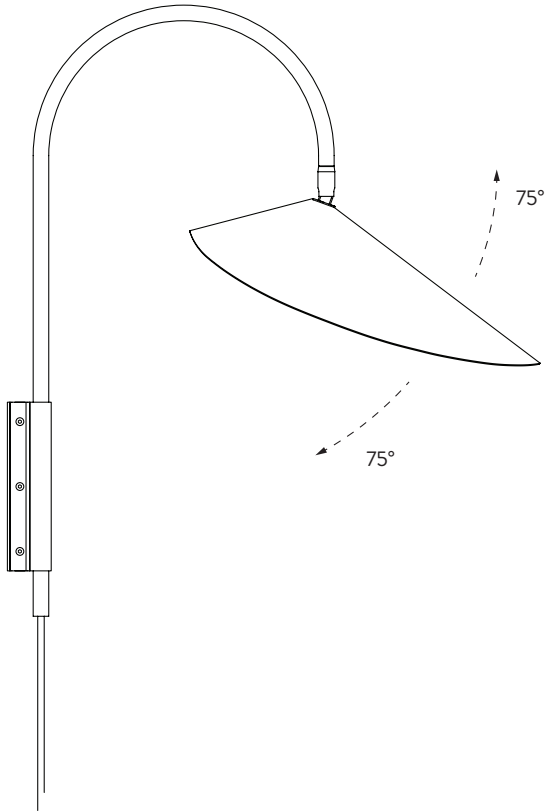
4



Mount a bulb E14 in the lamp

# Assembly Process

5

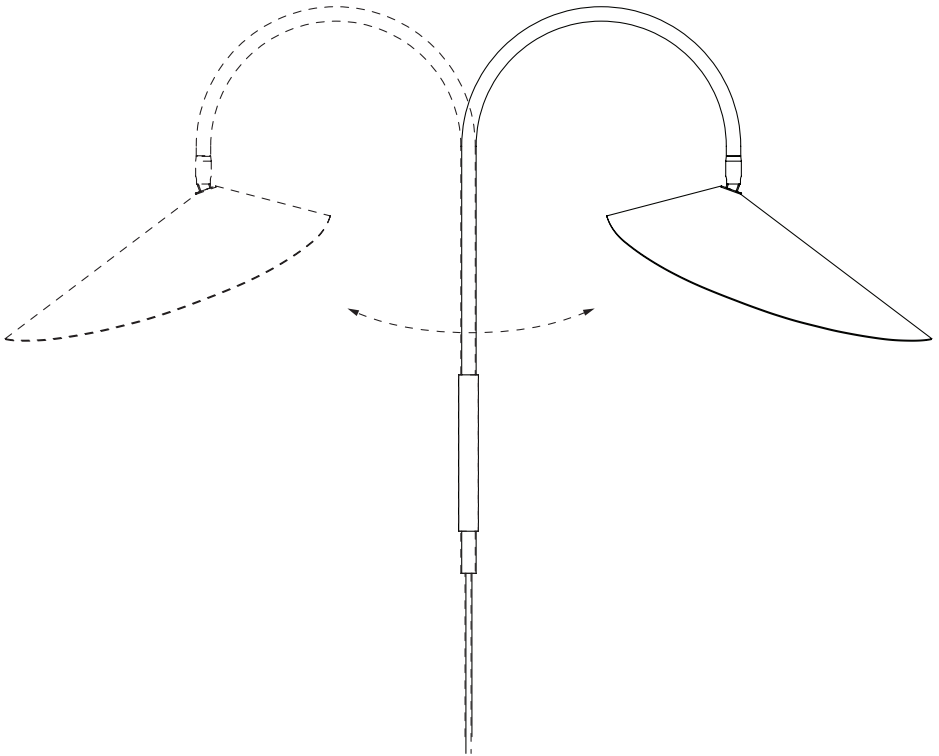


Adjust the position of the lamp up and down



# Assembly Process

6



Adjust the position of the lamp from side to side





[fermliving.com](http://fermliving.com)