

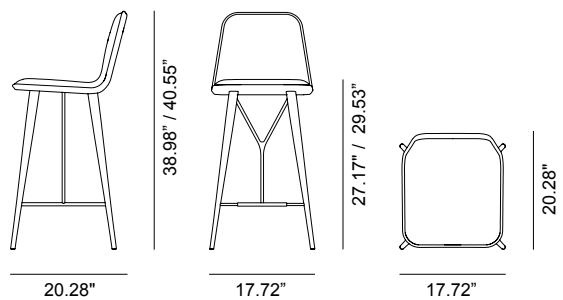
Spine Wood Base Barstool

By Space Copenhagen, 2011

Model	1731 - Spine Wood Base Barstool, front upholstered
About	Spine is the fusion of Fredericia's craft traditions and Space Copenhagen's dynamic visual language that uses both classic motifs and unorthodox details. Spine Barstool is a high dining chair ideal for public space use.
Product group	Chairs & stools
Measurements	Counter: 17.72" W x 20.28" D x 38.98" H Seat: 27.17" H Bar: 17.72" W x 20.28" D x 40.55" H Seat: 29.53" H
Weight	10,2 kg
Materials	Legs of solid oak with powder coated aluminium stretcher. Seat shell of plywood - beech core with oak top veneer. Front side of seat shell is upholstered with CMHR or HR foam and covered in fabric or leather, finished with cotton core piping. Available in two standard heights.
Accessories	Quick Click glides with or without felt.
Test & certificates	FSC® certified EN 1022:2005, EN 16139:2013 (L1)
Guarantee	Fredericia Furniture A/S offers a 7 year guarantee against manufacturing defects in standard products (materials and construction). Wear and damage to covers, surface treatment, inappropriate use and the like are not covered by the warranty.
Download	Click here to download images, architect files at our partner portal.



DRAWING



WOOD



BLACK
LACQUERED,
FSC MIX 70%



OAK
LACQUERED,
FSC MIX 70%



SMOKED OAK
STAINED
LACQ. FSC

Upholstery according to current price list.