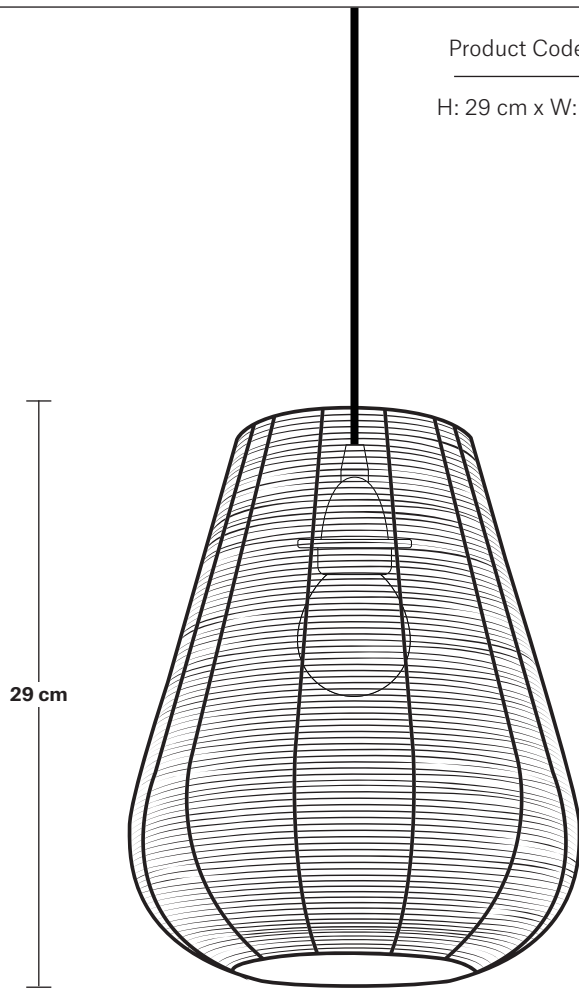
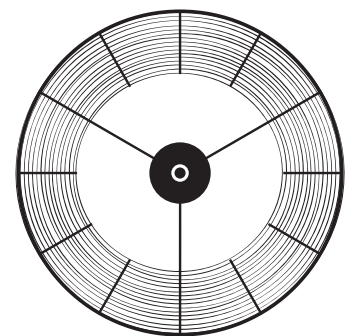
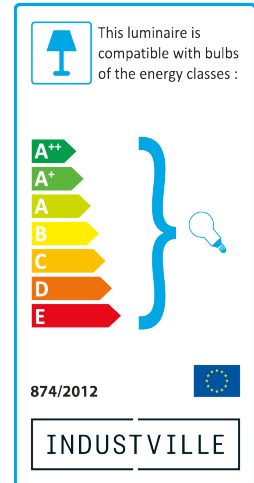


Handcrafted Wire Cage Pendant - Drop



Product Code: HC-WCP8-DR

H: 29 cm x W: 21 cm x D: 21 cm



21 cm

SPECIFICATIONS

We meet all UK and EU lighting and safety regulations.

Our products are hand finished to ensure an authentic vintage look and therefore they may vary slightly from those shown in the images.

Bulb required: Standard screw (E27) fitting, max 40W.

Shade weight: 1.1 kg | **Holder weight:** 0.28 kg

Maximum weight: 1.38 kg

INFORMATION

Finishes: Pewter.

Ready to be installed, installation required.

Wall mount screws not included.

Holders available: Pewter.

Flex: 1m Black Round Fabric Flex.

Ceiling rose: Pewter.

DIMENSIONS

Shade Diameter: 21 cm / 8.3"

Shade Height (no holder): 29 cm / 11.6"

Holder Diameter: 6 cm / 2.8"

Holder Height: 7 cm / 4.3"

Ceiling Rose Diameter: 12 cm / 4.9"

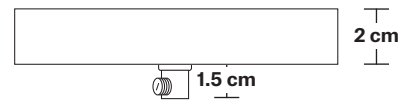
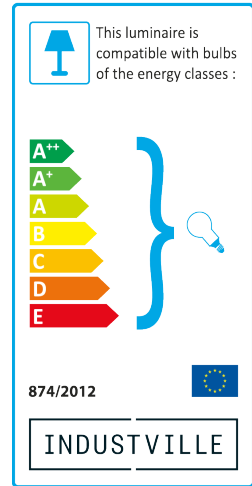
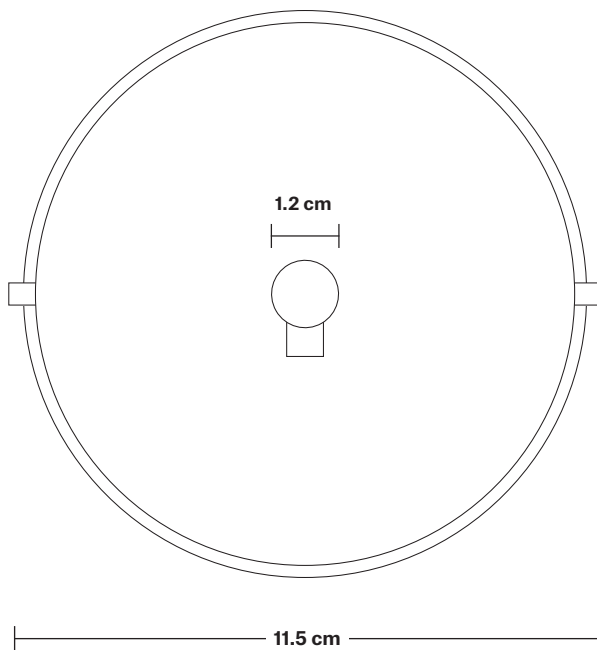
Ceiling Rose Height: 2 cm / 0.8"

INDUSTVILLE

Sleek Ceiling Rose - 1 Outlet

Product Code: SL-CR10

H: 3.5 cm x W: 11.5 cm x D: 11.5 cm



SPECIFICATIONS

We meet all UK and EU lighting and safety regulations.

Our products are hand finished to ensure an authentic vintage look and therefore they may vary slightly from those shown in the images.

Bulb required: Standard screw (E27) fitting, max 40W.

Weight: 0.17 kg

INFORMATION

Finishes: Brass, Pewter and Copper.

Ready to be installed, installation required.

Wall mount screws not included.

DIMENSIONS

Ceiling rose diameter: 11.5 cm / 4.5"

Ceiling rose height: 3.5 cm / 1.4"

INDUSTVILLE

Handcrafted Wire Cage - 8 Inch - Drop

Shade Only

Wire Cage - 8 Inch - Drop - Shade Only

WC8-DR-SO

Handcrafted Wire Cage Pendant - 8 Inch - Drop

Handcrafted Wire Cage Pendant - 8 Inch - Drop

HC-WCP8-DR
