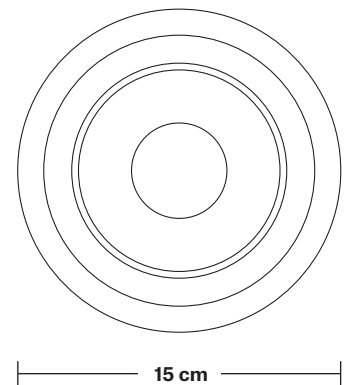
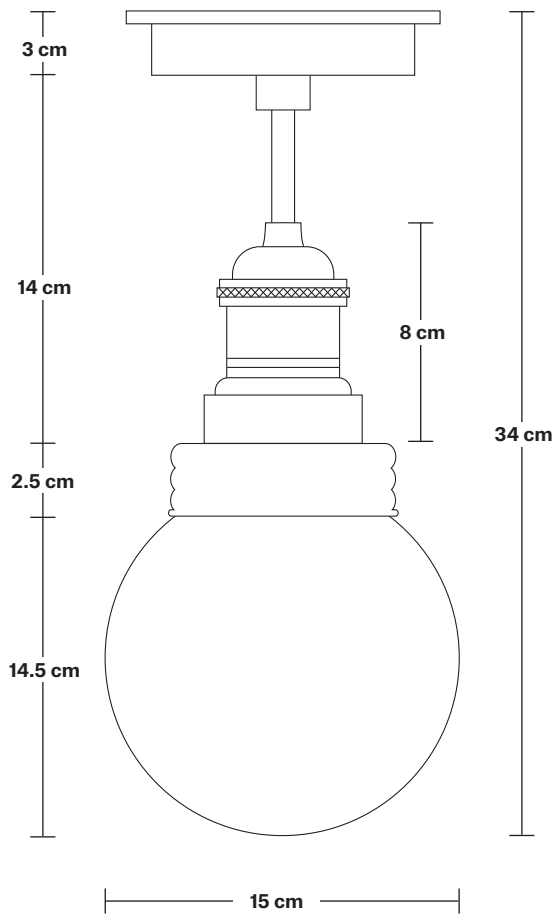


Brooklyn Outdoor & Bathroom Flush Mount - Globe Glass

Product Code: BR-IP65-FM-GLG

H: 34 cm x W: 15 cm x D: 15 cm



SPECIFICATIONS

We meet all UK and EU lighting and safety regulations.

Our products are hand finished to ensure an authentic vintage look and therefore they may vary slightly from those shown in the images.

Bulb required: Standard screw (E27) fitting, max 40W.

Weight: 0.9 kg

INFORMATION

Finishes: Brass, Pewter, Copper.

Ready to be installed, installation required.

Wall mount screws not included.

Ceiling rose: Pewter.

IP rating: IP65 with Globe glass.

DIMENSIONS

Holder Diameter: 6 cm / 2.5"

Holder Height: 17 cm / 6.6"

Ceiling Rose Diameter: 13.5 cm / 5.3"

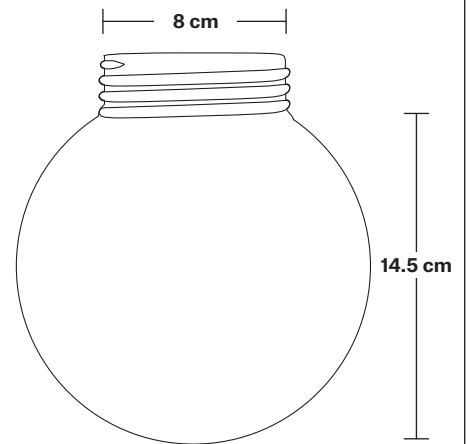
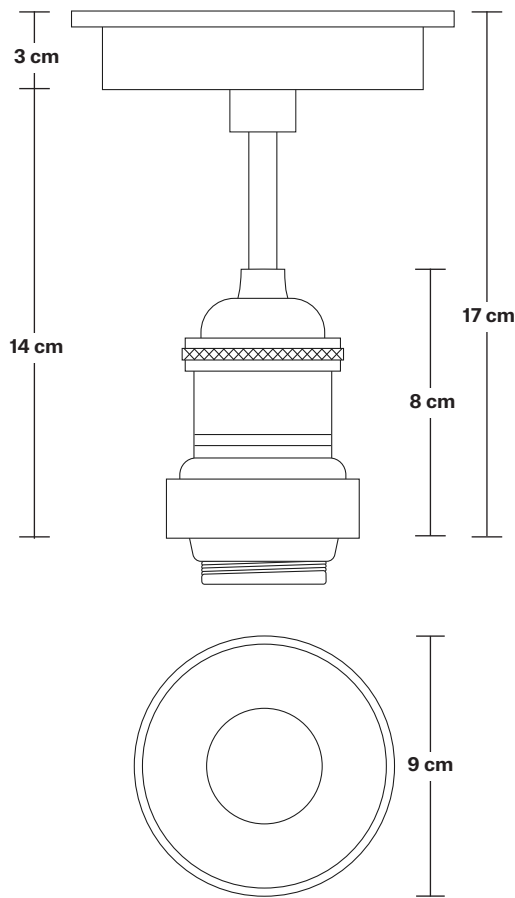
Ceiling Rose Height: 3 cm / 1.2"

INDUSTVILLE

Brooklyn Outdoor & Bathroom Flush Mount Holder - Globe Glass

Product Code: BR-IP65-FMH-GLG

H: 17 cm x W: 13.5 cm x D: 13.5 cm



SPECIFICATIONS

We meet all UK and EU lighting and safety regulations.

Our products are hand finished to ensure an authentic vintage look and therefore they may vary slightly from those shown in the images.

Bulb required: Standard screw (E27) fitting, max 40W.

Holder weight: 0.87 kg | **Glass weight:** 0.3 kg

INFORMATION

Finishes: Brass, Pewter, Copper.

Ready to be installed, installation required.

Wall mount screws not included.

Ceiling rose: Pewter.

IP rating: IP65 with Globe glass.

DIMENSIONS

Holder Diameter: 6 cm / 2.5"

Holder Height: 17 cm / 6.6"

Ceiling Rose Diameter: 13.5 cm / 5.3"

Ceiling Rose Height: 3 cm / 1.2"

Brooklyn Outdoor & Bathroom Flush Mount - Copper - Globe Glass

Brooklyn Outdoor & Bathroom Flush Mount - Copper

Brooklyn Outdoor & Bathroom Flush Mount - Copper Holder - Pewter Ring - Globe Glass

BR-IP65-FM-CH-PR-GLG

Brooklyn Outdoor & Bathroom Flush Mount - Copper Holder - Copper Ring - Globe Glass

BR-IP65-FM-CH-CR-GLG
