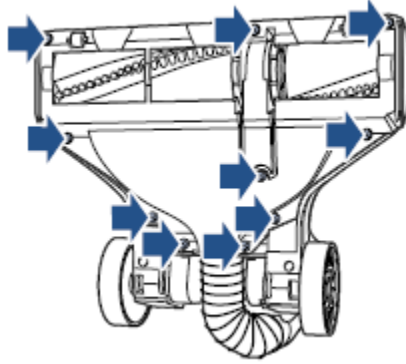
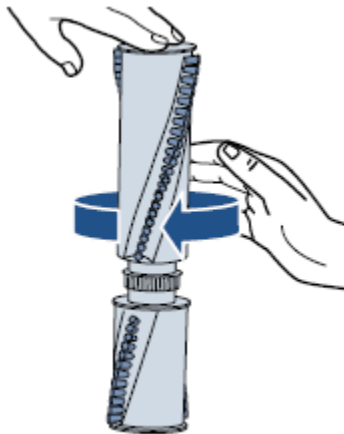


My Pet Hair Eraser® Turbo brush is not turning

- Unplug vacuum
- Lower handle & turn machine over
- Take out the 10 screws & remove brush access cover

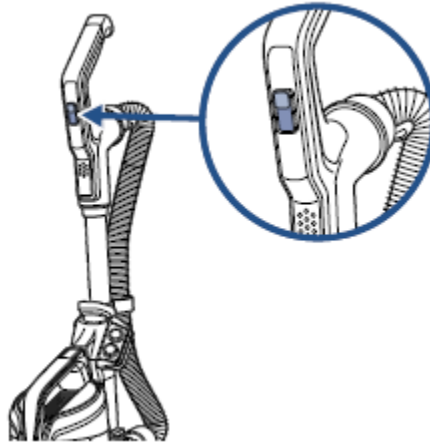


- Remove brush & belt
- Clear all debris from the brush and belt area
- Inspect brush ends, belt, and brush access cover for damage
 - If damaged the item should be replaced
- Stand the brush on a flat surface and hold the top with one hand while spinning the brush with the other
 - If brush does not spin freely, it should be replaced

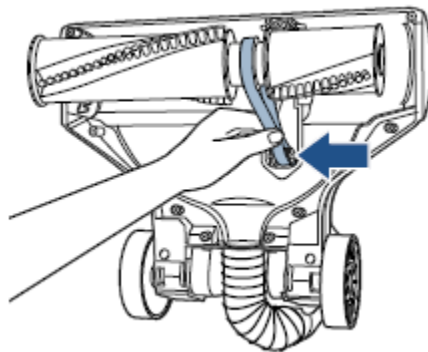


- If belts continually break:
 - Adjust the variable suction control on the handle to relieve pressure from the brush
 - Low Carpet means the valve is closed and can make the machine hard to push

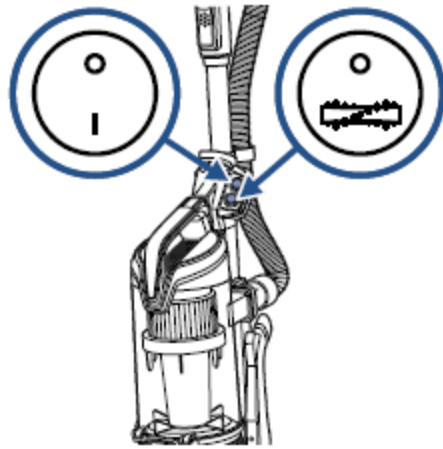
- Turn the valve toward the Plush Carpet to open the valve, making it easier to push



- Reassemble belt & brush roll:
 - Attach belt to brush
 - Pinching the belt will allow easier access to attach the other end of belt to the silver motor pulley
 - Put brush access cover in place and secure with 10 screws



- Plug in & turn on, recline handle for brush to rotate
 - Brush switch needs to be switched on for brush to spin
 - Handle needs to be reclined for brush to spin



- If brush is still not turning, contact us