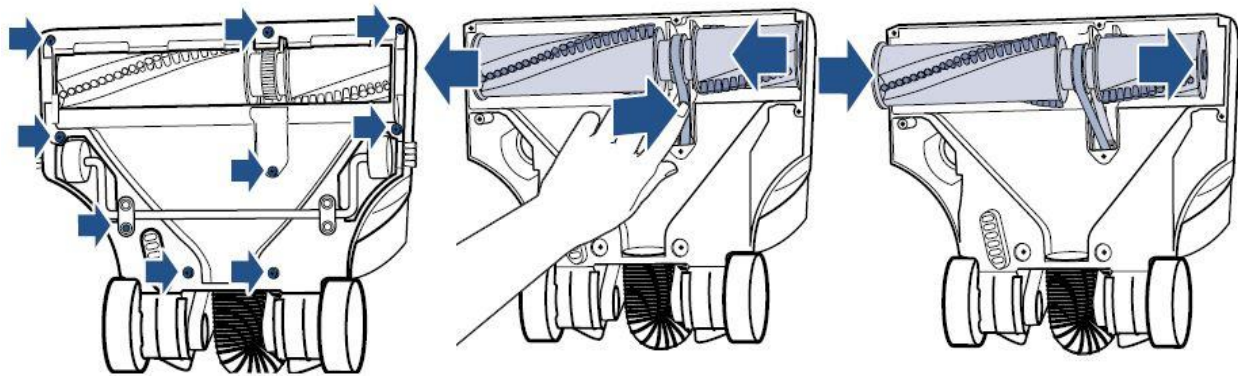


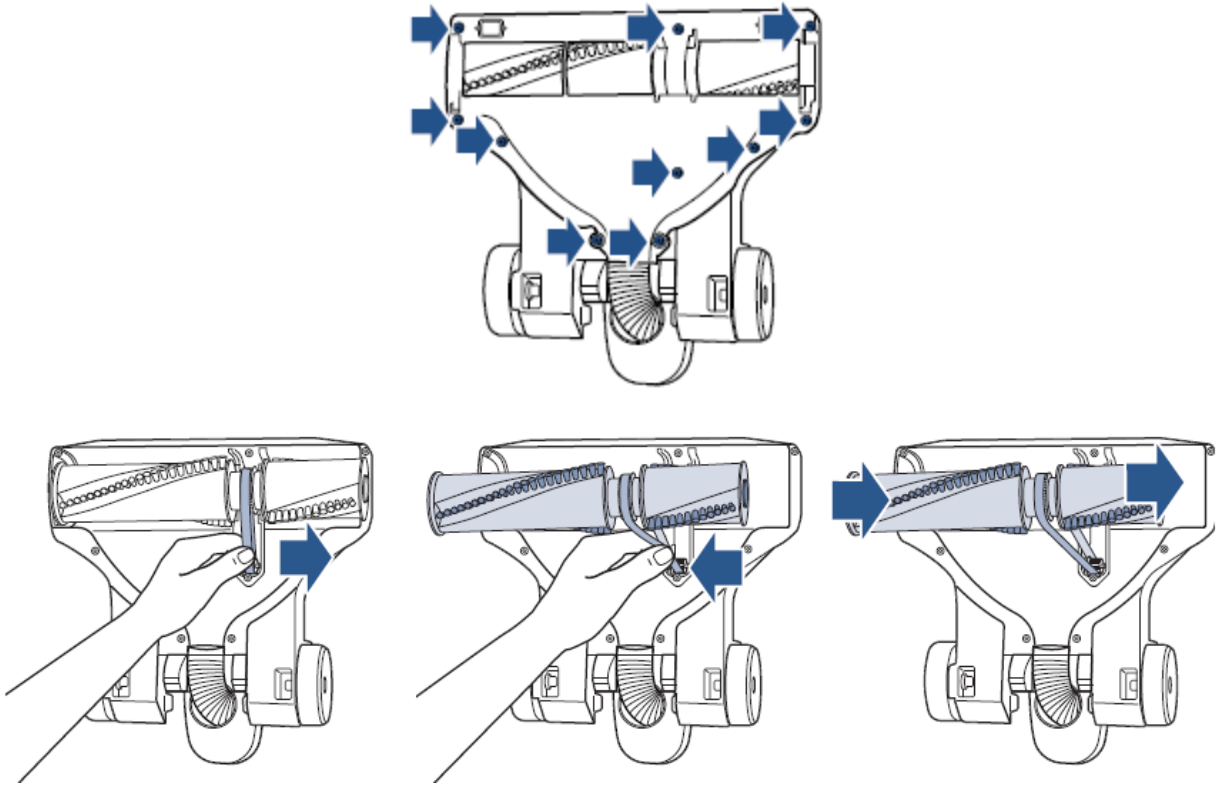
# My Pet Hair Eraser® Vacuum tangle-free brush roll has hair build-up

- Sometimes hair longer than 10 inches may wrap around the brush. Because of the Brushes unique design, the hair should easily be pulled off
- Turn off and unplug the vacuum
- Turn the vacuum over so the Brush is facing up
- Using a Philips head screw driver, unscrew the Screws on the bottom of the base and remove the Brush Access Plate

## Pet Hair Eraser® Upright Vacuum



## Pet Hair Eraser® Lift-Off® Upright Vacuum



**Pet Hair Eraser® Turbo Upright Vacuum**

