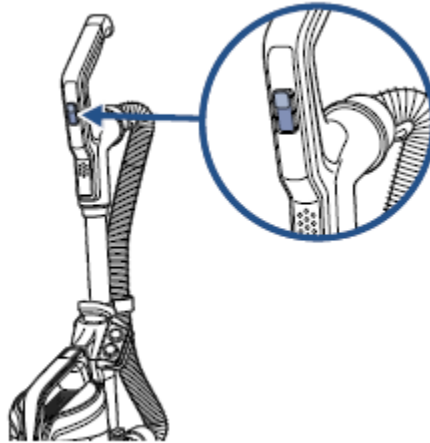
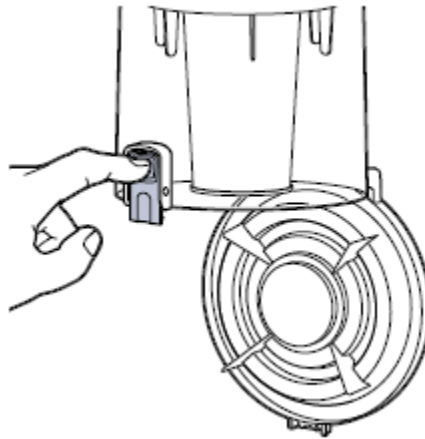


My Pet Hair Eraser® Turbo Vacuum has no/low suction

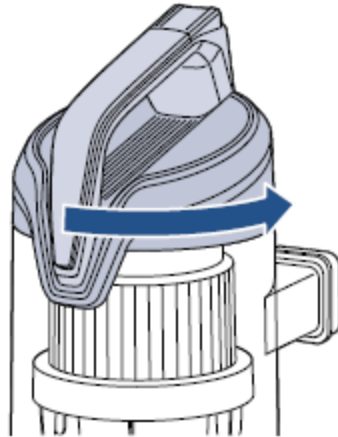
- Adjust the variable suction control on the handle, the more open it is (toward Plush carpet), the less suction you will have
 - Low Carpet means the valve is closed and can make the machine hard to push
 - Turn the valve toward Plush Carpet to open the valve, making it easier to push



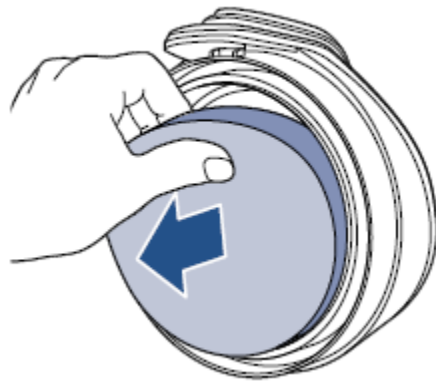
- Turn machine on, recline handle, and press the brush on/off switch to check if the brush spins. If not, see [Brush not turning steps](#)
- Empty dirt tank



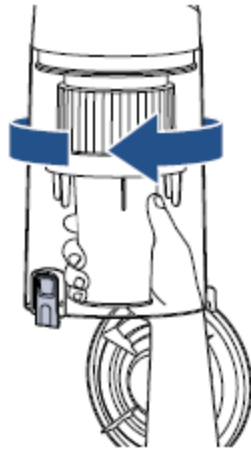
- Twist the handle to unlock the tank



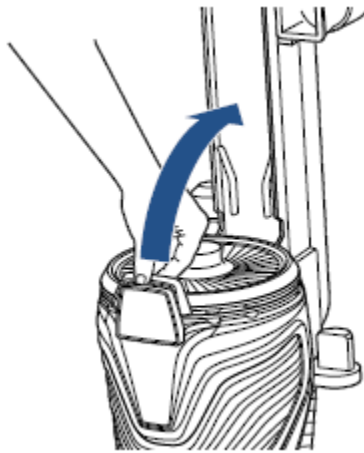
- Both Pre-Motor filters should be checked often and kept clean
-
- Felt & foam filters can be washed in warm water & mild dish soap
- Allow to completely air dry (24 - 48 hours) before reinstalling
-
- Insert felt filter (with tab facing up) first
- Foam filter goes on top of felt filter



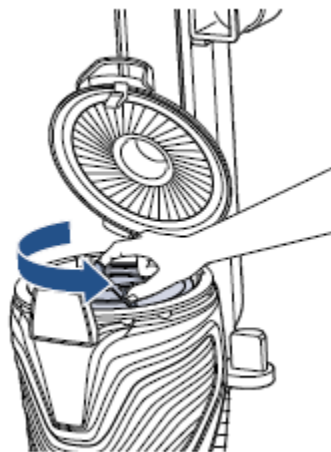
- Twist to remove the separator from the bottom of dirt tank
- Clean off debris
-
- Separator can be rinsed in warm water
- Allow to completely dry (24 - 48 hours) before reattaching



- Pull tab up to open cover of Post-Motor Filter

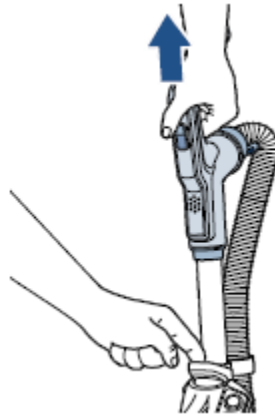


- Twist filter counter clockwise to unlock and remove

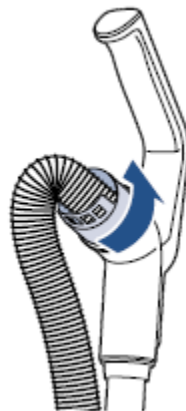


- The Post-Motor Filter cannot be washed
 - Remove debris regularly
 - Replace filter when needed

- Before replacing dirt tank
- Turn machine on and check for suction at the opening where the top of the dirt tank connects to the machine
- If no suction here, please contact us
- If has suction, return all filters, separator and dirt tank to machine
- Remove extension wand
- Push down on wand release lever



- Turn machine on & check for suction at the end of the wand
- If end of wand has suction, skip down to Clearing lower hose
- If no suction at end of wand, disconnect wand from hose (twist counter - clockwise)



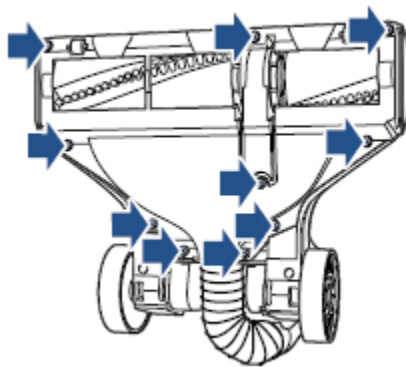
- Turn machine on & check for suction at end of hose
- If hose has suction, wand needs to be clear of debris
- Push broomstick through wand to remove debris

-

- If hose doesn't have suction, disconnect hose from machine
- First remove dirt tank, then slide hose cuff toward front of machine
- Push a broomstick through hose to clear debris

Clearing Lower Hose:

- Unplug machine
- Twist collar of lower hose to release
- Look through wand holder opening (green) if not clear, push broomstick through to remove debris
- Push broomstick through lower hose toward brush roll to clear debris
- To access debris from brush area disconnect the brush cover plate by removing the 10 screws



- Reconnect all parts:
 - Brush cover, secure the 10 screws
 - Reattach lower hose, twist securely until you hear a click
 - Wand into wand holder until it clicks
 - Twist end of hose onto back of handle
 - Slide hose cuff onto bracket on side of machine, from front to back
 - Attach dirt tank, it should click into place
- Once all are reconnected:
 - Plug in, turn on & check for suction
 - If still no suction, please contact us