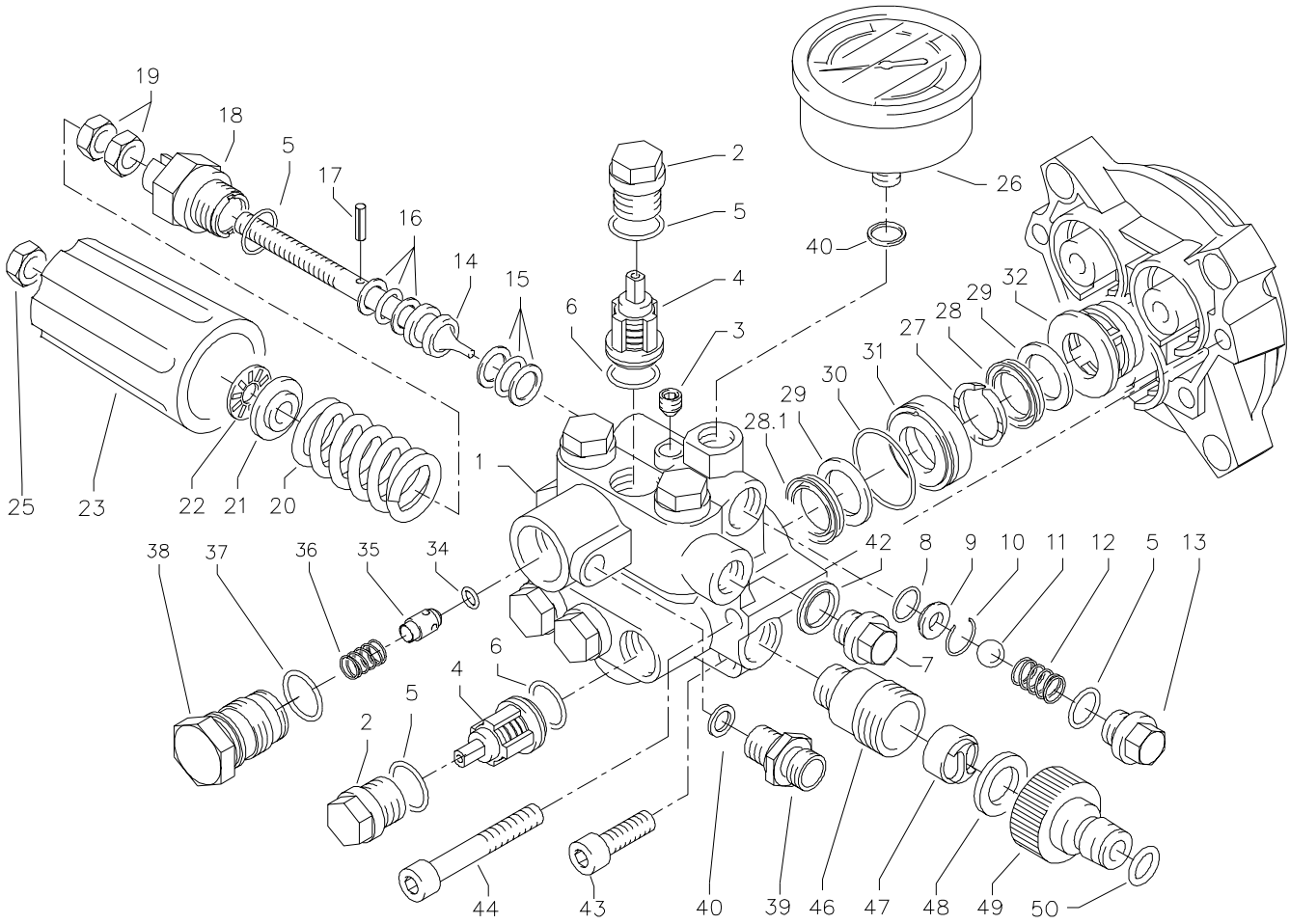


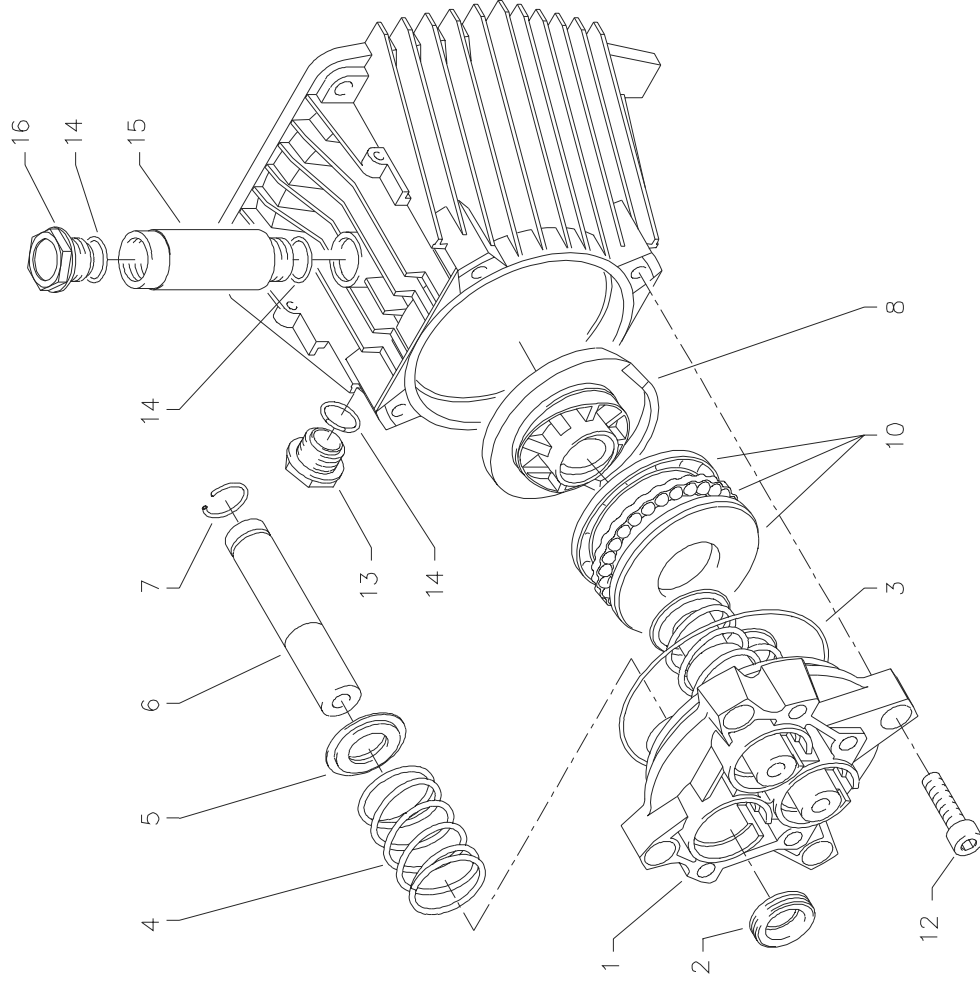
### KRÄNZLE 145 T

No	Description	Qty	Ord.No	No	Description	Qty	Ord.No
1	Motor K 145 T Complete with oil housing	1	43.400	22	Synthetic screw	5	43.417
1	Motor K 175 T Complete with oil housing	1	43.327	23	Synthetic screw	2	43.418
1	Motor K 205 T Complete with oil housing	1	43.401	24	Rubber damper	4	43.419
2	Enclosure half, right	1	43.402	25	Synthetic screw	2	43.420
3	Suspension condensator	1	43.403	26	Screw	4	43.421
4	Enclosure half, left K 145 T	1	43.462 1	27	Antikink-socket for power cable	1	43.422
4.1	Enclosure half, left K 175 T	1	43.462 2	28	Cable with plug	1	41.092
4.2	Enclosure half, left K 205 T	1	43.462 3	28.1	Cable + plug, three-phase	1	41.092 1
5	Rubber damper - set	2	43.405	29	Synthetic screw	2	43.423
6	Lower casing 1 K115 - K205T	1	43.406	30	Starlock cap	2	43.424
7	Lower casing K 145 T	1	43.463 1	31	Tallow-drop screw	8	43.021
7.1	Lower casing K 175 T	1	43.463 2	32	Synthetic screw	2	43.425
7.2	Lower casing K 205 T	1	43.463 3	33	Foamed plastic tube	1	41.418
8	Handle casing 1 K115 - K185	1	43.408	34	Synthetic screw	4	43.426
9	Handle casing 2 K115 - K185	1	43.409	35	Steel shackle	2	43.427
10	Hose support R (right) K115 - K185	1	43.410	36	Bottom plate with Moro axle	1	43.428
11	Hose support L (left) K115 - K185	1	43.411	37	Synthetic washer	2	43.429
12	Wheel	2	43.412	38	Synthetic screw	8	43.430
13	Wheel Cap	2	43.413	39	Cable clamp	2	43.431
14	PICO spray-gun w. 360 mm extension	1	41.053 1	40	Synthetic screw	2	43.432
15	Dirtkiller with lance 045	1	41.072 5	41	Synthetic screw	1	43.309
16	Lance 400 mm with adj. nozzle 25045	1	43.440	42	Switch frame	1	43.433
17	Tube for handle K115 - K185	1	43.414	43	Cable guide	2	43.061
18	Synthetic screw	5	43.415	44	Cable support	1	43.062
21	Chemicals line-strainer + 1m PVC hose	1	15.038	50	Hose reel		40.173



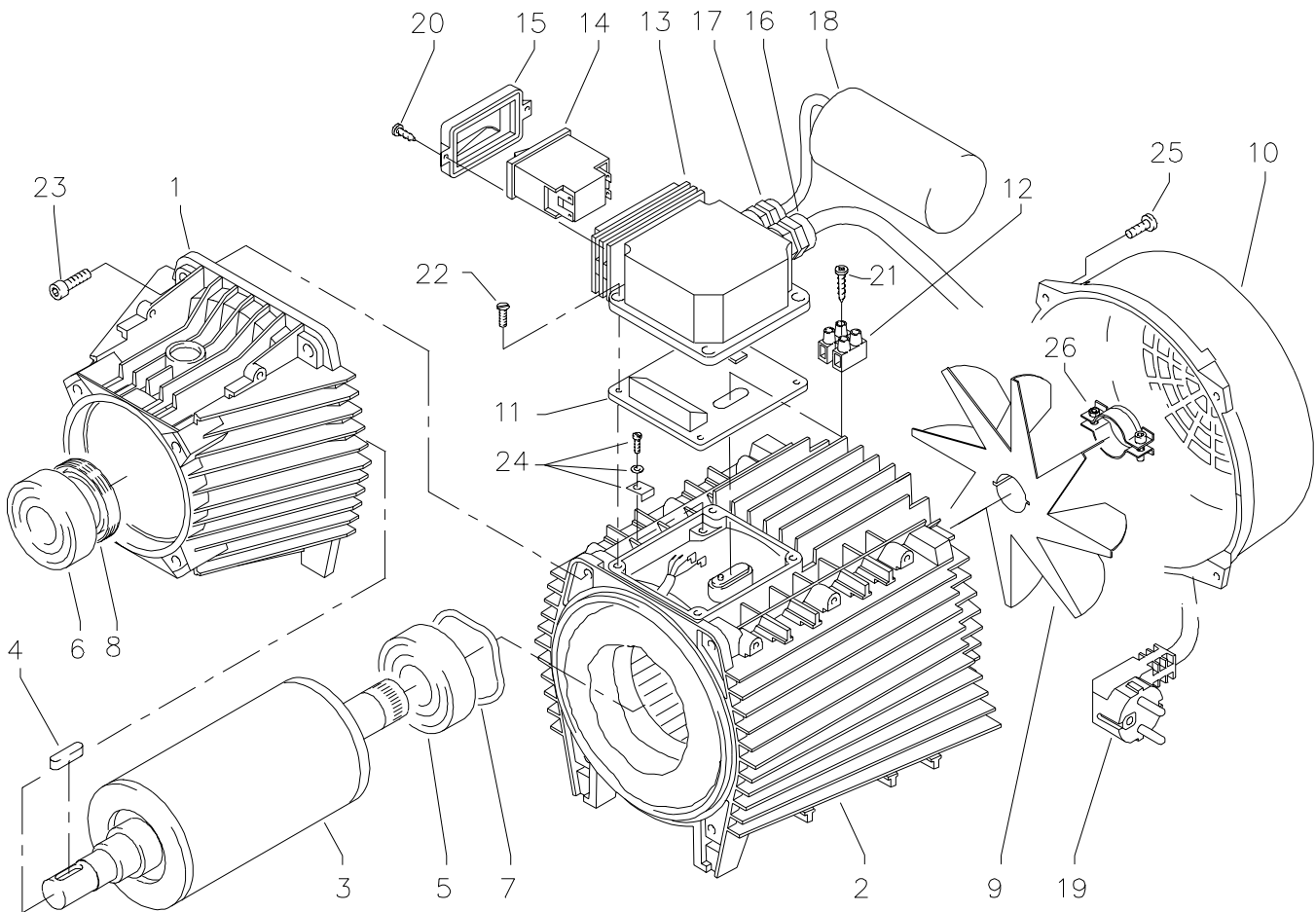
**KRÄNZLE 145 T**  
**Valve housing APG for 18 mm plunger diameter**

No	Description	Qty	Ord.No	No	Description	Qty	Ord.No
1	Valve casing APG with integr. UL	1	43.464	32	Intermediate ring	3	41.015 2
2	Valve plugs APG pump	6	41.714	34	O-Ring	1	43.070
3	Sealing plug	1	43.043	35	Return body (big) for AP	1	14.122
4	Valve (green) for APG pump	6	41.715 1	36	Return spring for return valve	1	14.120
5	O-Ring	8	13.150	37	O-Ring	1	43.446
6	O-Ring	6	41.716	38	Check valve ball	1	42.166
7	Sealing plug R 1/4" with collar	1	42.103	39	Ermeto screw connection	1	41.042
8	O-Ring	1	12.256	40	Gasket, aluminium	4	13.275
9	Stainless steel seat	1	14.118	42	Cu-Ring	1	42.104
10	Sicherungsring	1	13.147	43	Hexagon head cap screw	2	41.036 1
11	Stainless steel ball	1	13.148	44	Hexagon head cap screw	2	41.017 1
12	Stainless steel spring	1	14.119	46	Suction connection 3/8" male	1	41.016
13	Plug 3/8" male	1	14.113	47	Water filter	1	41.046 1
14	Regulation piston	1	14.134	48	Rubber seal	1	41.047 1
15	Parbaks 16 mm	1	13.159	49	Plastic part	1	41.047 2
16	Parbaks 8 mm	1	14.123	50	O-Ring	1	41.047 3
17	Dowel pin	1	14.148				
18	Special piston guide	1	42.105		Rep.-kit valves for AGP pump		41.748 1
19	Nut	2	14.144		6x Pos. 4; 6x Pos. 5; 6x Pos. 6		
20	Pressure spring	1	14.125				
21	Spring tensioning disc	1	14.126		Rep.-kit sleeves 18 mm		41.049 1
22	Needle bearing for hand wheel	1	14.146		3x Pos. 27; 3x Pos. 28;		
23	Handwheel	1	14.147		3x Pos. 28.1; 6x Pos. 29; 3x Pos. 30		
25	Safety nut	1	14.152				
26	Manomter 0-250 bar	1	15.039		Valve housing compl.		43.465
27	Pressure ring	3	41.018		with integr. ULH and pressure switch		
28	V-sleeves Perbunan	3	41.013				
28.1	V-sleeve "textile"	3	41.013 1		Guide piston compl. with handwheel		43.444
29	Backring	6	41.014				
30	O-Ring	3	40.026				
31	Leakage ring	3	41.066				



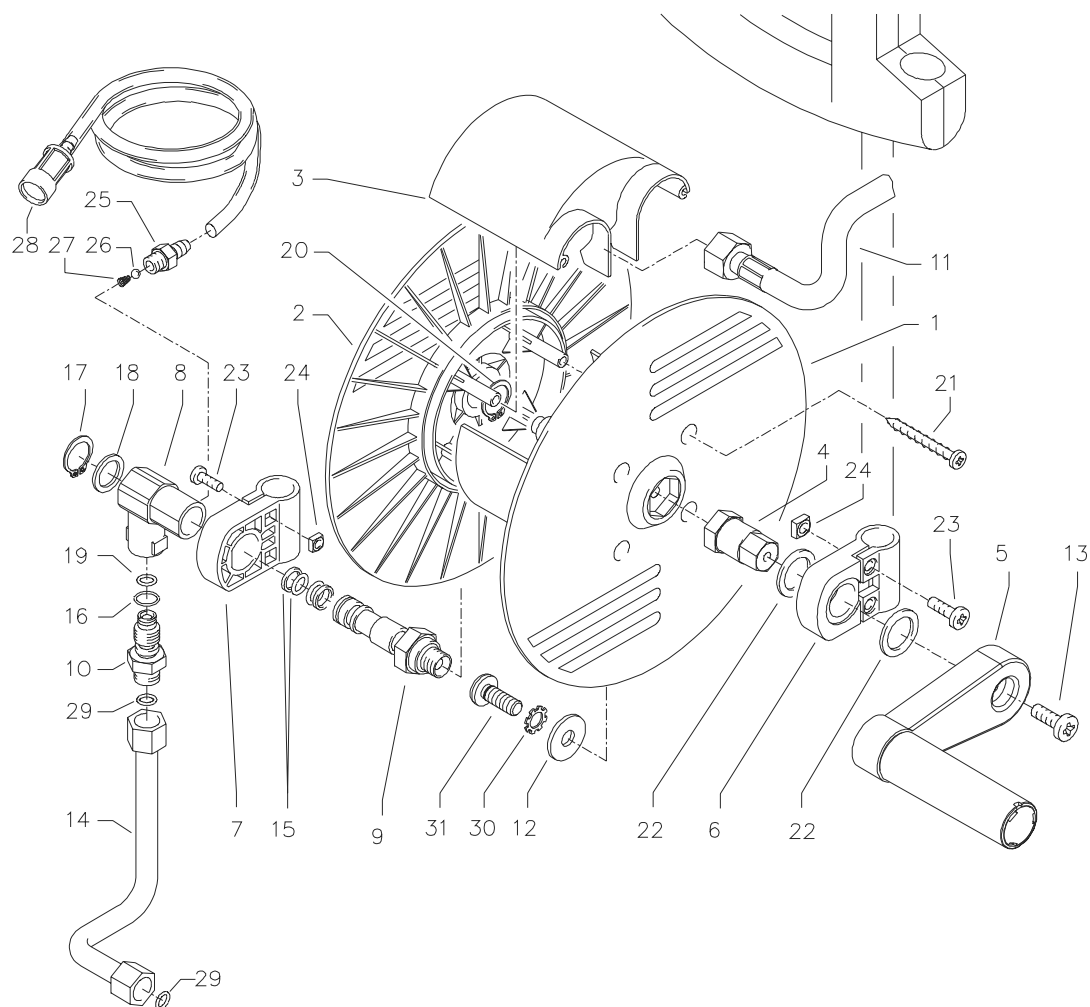
**KRÄNZLE 145 T , 175 T**  
**Transmission unit for plunger diameter 18 mm**

No	Description	Qty	Ord.No
1	Housing plate	1	41.020 2
2	Oil seal	3	41.031
3	O-Ring Viton	1	41.021 1
4	Plunger spring	3	41.033
5	Spring tensioning disc	3	41.034
6	Plunger 18 mm	3	41.032 1
7	Retaining ring	3	41.035
8	Swashplate 11,5° 145 T	1	41.028-11,5
8	Swashplate 13,0° 175 T	1	41.028-13,0
	Please select correct swashplate		
10	Axial-assembly 3-Part	1	43.486
12	Hexagon head	4	41.036 1
13	Oil sight glass	1	42.018 1
14	O-Ring	3	43.445
15	Oil fill neck	1	43.438
16	Oil filler cap, red, w/o vent hole	1	43.437



Motor for KRÄNZLE 145 T

No	Description	Qty	Ord.No
1	Oil casing	1	43.314
2	Stator for K125 230 V / 50 Hz for Kränzle 145 T	1	43.400 9
3	Rotor with motor shaft	1	43.316
4	Feather key	1	41.483 1
5	Motor bearing B	1	43.317
6	Motor bearing A	1	41.027
7	Spring disc	1	43.318
8	Oil gasket	1	41.024
9	Ventilator	1	43.319
10	Fan cover	1	43.320
11	Flat gasket	1	43.030
12	Insulating screw	1	43.031
13	Switch-casing	1	43.321
14	Switch 13,5 A (1,5 kw)	1	41.110 2
15	Clamping frame with switch sealing	1	41.110 5
16	Cable screw connection	1	41.419
17	Cable screw connection PG 9 (3-part )	1	43.034
18	Condensator 70 µF	1	43.322
19	Cable with plug (AC) for 220 V	1	41.092
20	Self tapping screw	2	41.088
21	Self tapping screw	1	43.036
22	Screw	4	41.489
23	Hexagon head cap screw	4	43.037
24	Earthing screw compl.	1	43.038
25	Screw	2	41.489
26	Strap for fan wheel	1	43.454



## Hose Drum KRÄNZLE 145 T

No	Description	Qty	Ord.No
1	Dish -large	1	40.160
2	Dish -small	1	40.161
3	Kink protection	1	40.162
4	Axle-drive shaft	1	40.166
5	Crank	1	40.165
6	Bearing block -left-	1	40.163
7	Bearing block -right-	1	40.164
8	Rotary joint	1	40.167
9	Axle with waterguide	1	40.168
10	Injector entrance for hose drum	1	40.169
11	15 m High Pressure Hose for	1	40.170
12	Clamping panel, right	1	50.174
13	Tallow-drop screw M 5 x 10	1	43.021
14	Connecting pipe -Ermeto-K160 TST	1	40.175
15	Parbaks	2	13.159
16	O-Ring	1	43.068
17	Seeger circlip ring	1	40.182
18	Disc (Brass)	1	40.181
19	O-Ring	1	40.585
20	Ring	1	40.172
21	Synthetic screw	4	43.018
22	Backring	2	40.025
23	Screw	4	40.178
24	Square nut	4	41.416
25	Chemical inlet	1	13.236
26	Stainless-steel ball	1	13.238
27	Stainless-steel spring	1	13.239
28	Chemicals line-strainer	1	15.038
29	O-Ring	2	40.177
30	Screw	1	40.183
31	Washer	1	40.171 1