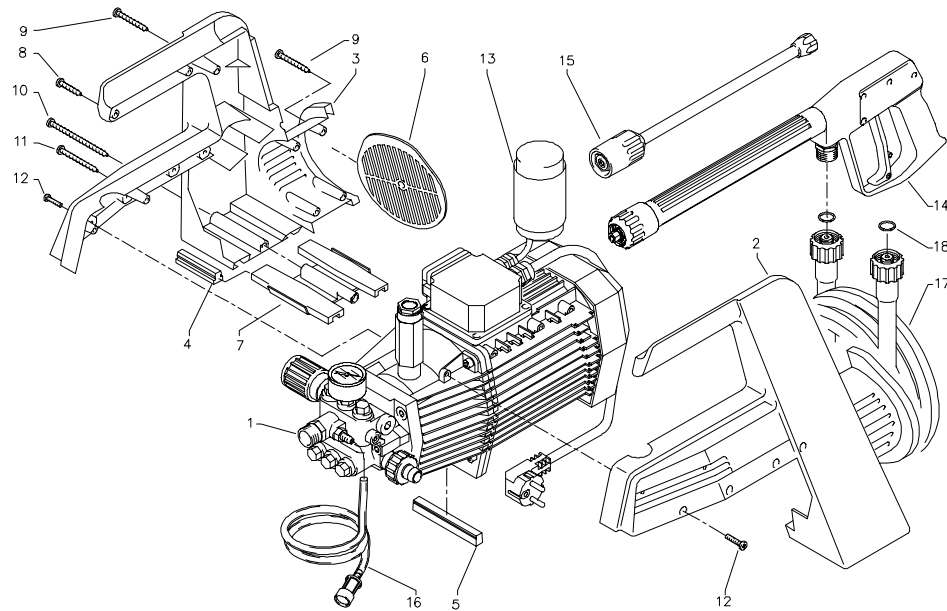
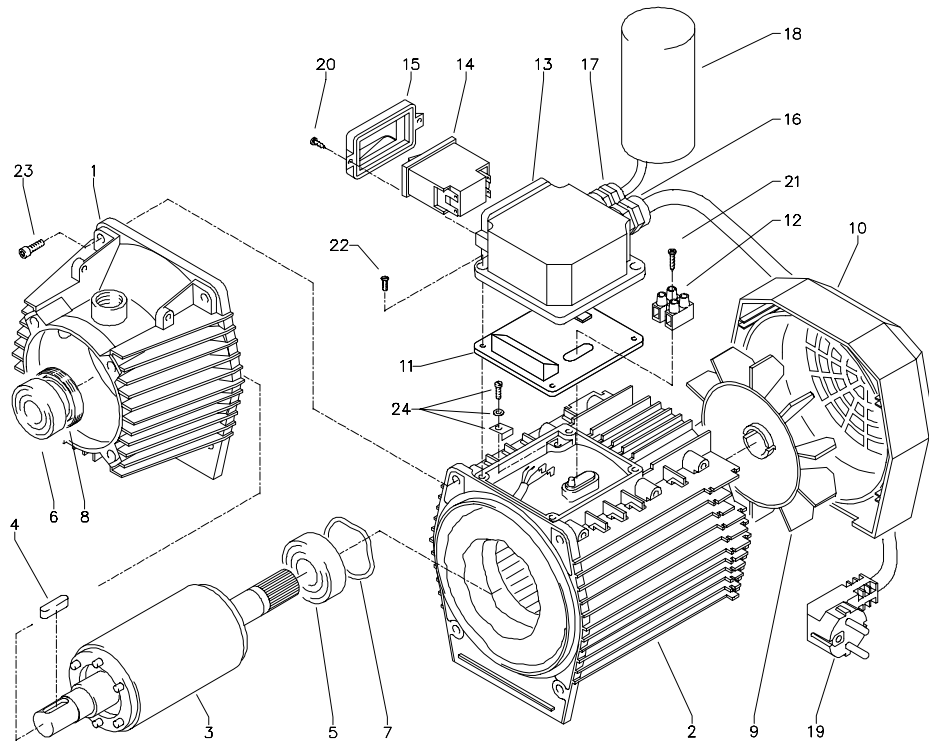


Complete Assembly



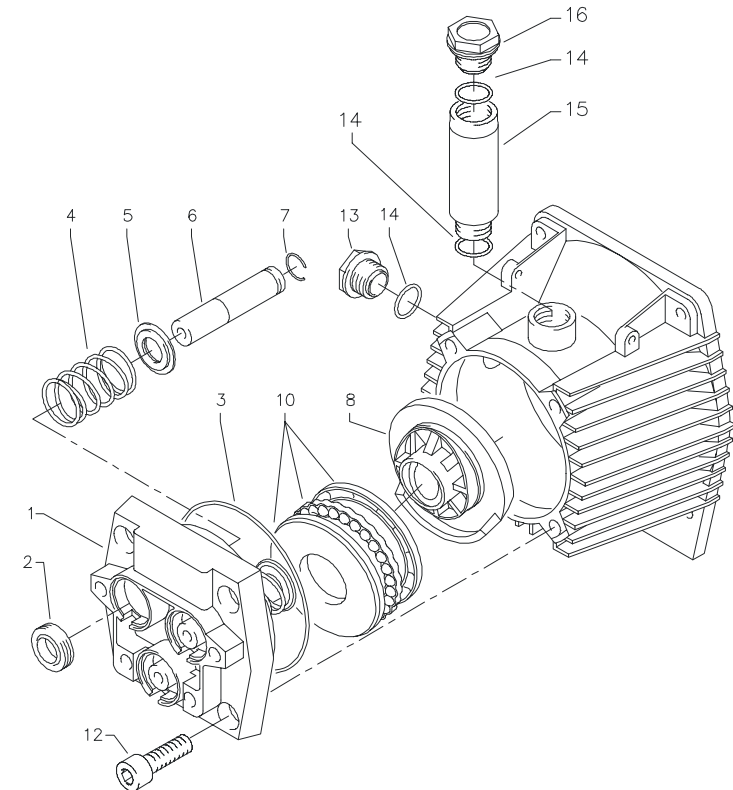
Pos.	Description	Qty	Part No.
1	Motor cpl. with oil enclosure Fan + Fan cover	1	43.001
2	Enclosure half, right K 105 white	1	43.013
3	Enclosure half, left K 105	1	43.014
4	Rubber damper, small for K 105	4	43.015
5	Rubber damper, large for K 105	1	43.016
6	Fan cover K105 / Junior	1	43.017
7	Motor cover plate K 105 / junior	1	43.012
8	Synthetic screw	2	43.018
9	Self-tapping screw	5	41.411
10	Synthetic screw	1	43.309
11	Screw galvanized	1	43.020
12	Screw	8	44.112
13	Foamed plastic tube	1	41.418
14	PICO spray-gun w. 360 mm extension	1	41.053 1
15	Lance 400 mm with adj. nozzle	1	43.440
16	Chemicals line-strainer with 1 m PVC hose	1	15.038
17	8m high-press. hose NW6, 165bar	1	41.054 1
18	O-Ring	2	13.273

Motor



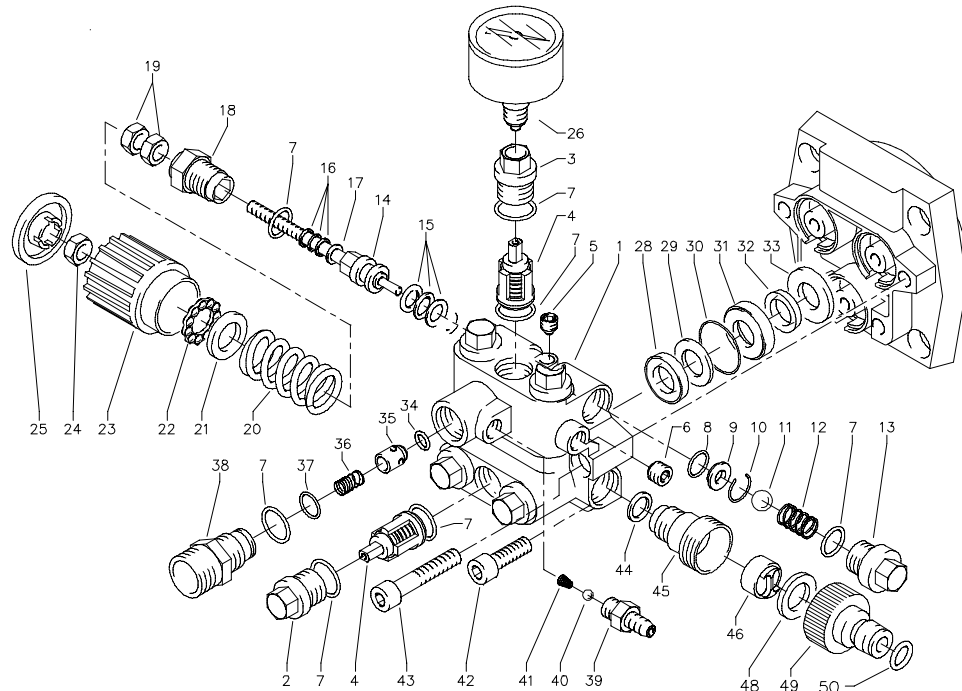
Pos.	Description	Qty	Part No.	Pos.	Description	Qty	Part No.
1	Oil enclosure for K 105	1	43.006	16	Cable screw connection	1	41.419
2	Stator for K105 230 V / 50 Hz	1	43.023	17	Cable screw connection	1	43.034
3	Rotor with motor shaft	1	43.024	18	Capacitor 40 µF	1	43.035
4	Feather key	1	41.483	19	Cable with plug	1	41.092
5	Motor bearing B side	1	43.025	20	Self tapping screw	2	41.088
6	Motor bearing A-side	1	43.026	21	Self tapping screw	1	43.036
7	Spring washer	1	43.027	22	Screw cross head	4	41.489
8	Rotor with motor shaft	1	41.024	23	Hexagon head cap screw	4	43.037
9	Fan wheel	1	43.028	24	Earthing screw	1	43.038
10	Fan cover	1	43.029				
11	Flat gasket	1	43.030				
12	Insulating screw joint	1	43.031				
13	Switch enclosure K105	1	43.032				
14	Switch	1	43.033				
15	Clamping frame	1	41.110	5			

Transmission



Pos.	Description	Qty	Part No.
1	Housing plate for K 105	1	43.003
2	Oil seal	3	41.631
3	O-Ring	1	43.039
4	Plunger spring	3	43.040
5	Spring pressure washer 14 mm	3	43.041
6	Plunger 14 mm	3	43.005
7	Snap ring	3	41.635
8	Swashplate 9,5°	1	41.028-9,5
	Please specify angle when ordering		
10	AP BEARING ASSEMBLY	1	43.486
12	Hexagon bolt	4	40.053
13	Oil sight glass	1	42.018 1
14	O-Ring	3	15.005 1
15	Oil fill support K 105	1	43.011
16	Oil filler cap, red, w/o vent hole	1	43.437

Valve housing



Pos.	Description	Qty	Part No.	Pos.	Description	Qty	Part No.
1	Valve casing Kränzle 105	1	43.007	28	Fabric sleeve	3	41.613 1
2	Valve plug+ drain screw	5	41.011	29	Backring	3	41.614
3	Valve plug with R 1/8" female	1	43.042	30	O-Ring	3	43.052
4	Valves (red)	6	41.612	31	Leakage ring	3	43.053
5	Sealing plug	1	13.158	32	Sleeve	3	43.054
6	Sealing plug	1	43.043	33	Brass washer	3	43.055
7	O-Ring	15	15.005 1	34	O-Ring Viton	3	43.056
8	O-Ring	1	12.256	35	Return body	1	43.009
9	Stainless steel seat	1	14.118	36	Return spring	1	43.057
10	Locking ring	1	13.147	37	O-Ring	1	43.058
11	Stainless steel ball	1	13.148	38	Outlet element inj.	1	43.008
12	Stainless steel spring	1	14.119	39	Chemical inlet	1	13.236
13	Plug 3/8" male	1	14.113	40	Stainless-steel ball	1	13.238
14	Control spindle	1	43.044	41	Stainless-steel spring	1	13.239
15	Parbaks	1	14.123 1	42	Hexagon bolt	2	40.053
16	Parbaks	1	14.123 2	43	Hexagon head	2	43.059
17	Washer	1	43.045	44	Unloader ULH	1	14.149
18	Piston guide	1	14.130 1	45	Suction connection	1	41.016
19	Hexagon nut	2	14.127 1	48	Rubber seal	1	41.047 1
20	Spring black	1	43.046	49	Plastic part	1	41.047 2
21	Spring pressure washer	1	43.047	50	O-Ring	1	41.047 3
22	Ball bearing	1	43.048				
23	Handwheel	1	43.049		Repair kit valves		41.648
24	Nut	1	43.010		Seal repair Kit		43.060
25	Cap	1	43.050		Valve casing compl		43.007 1
26	Pressure gauge	1	43.051		Regulation piston (14 - 17)		43.044 1
					Regulation piston compl (14 - 25)		43.044 2