

Technical perfection and top design

Kränzle[®]
HOCHDRUCKREINIGER

w w w . k r a n z l e . c o m

Operating manual Power sweeper 2+2



Read and conform safety instructions before use!



Description

Dear Customer

Congratulations on your new sweeper!

For your convenience, a description of the machine is provided on the following pages.

Technical specifications

| | |
|----------------------|----------------------------------|
| Method of operation: | 2- roller hasp principle |
| Working width: | 800 mm |
| Weight: | 17 kg |
| Container capacity: | 40 litres |
| Brushes: | heavy duty polypropylene |
| Seeping rate: | approx. 3000 m ² / hr |

The machine is fully recyclable. It is made completely of polypropylene „PP“ and natural rubber. The brush rollers are made of wood.

The machine is PVC - FREE and one hundred percent.....

... made by

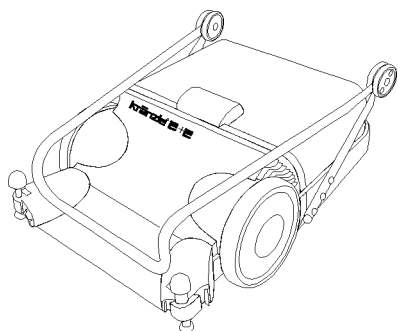
kränzle[®]

The sweeper is designed for use on a level surface.

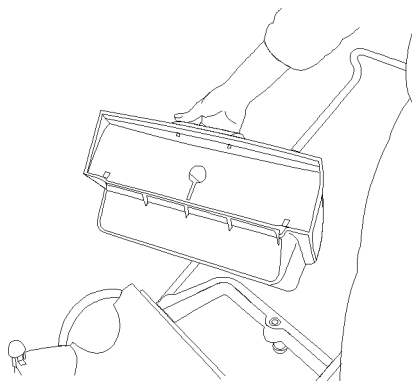
With the side brushes pressed, you can push the machine easily over the surface to be cleaned. This should be done at normal walking speed (approx 3 km/hr). The seeping rate depends on the speed the brush rollers rotate, and this in turn depends on the speed the machine is pushed. The pushing force required is between 3 and 3,5 kg, depending on the surface,

If you wish to move the machine for longer distances without sweeping, pull it backwards so that the sweeping function is disabled by the built-in free-wheel feature.

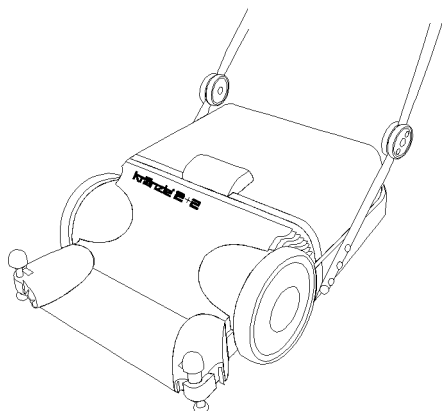
Assembly for side brushes and push handle



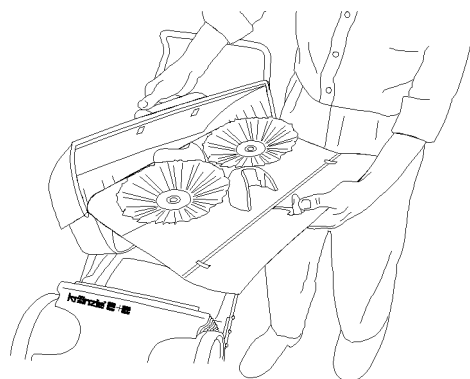
Place the machine on the ground



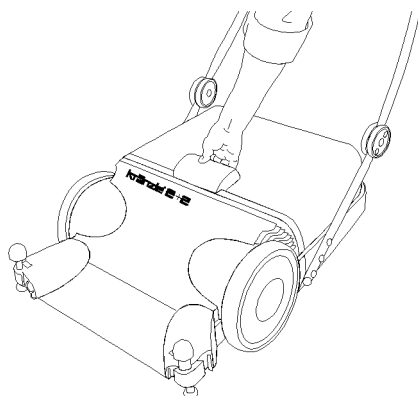
.. and lift it out



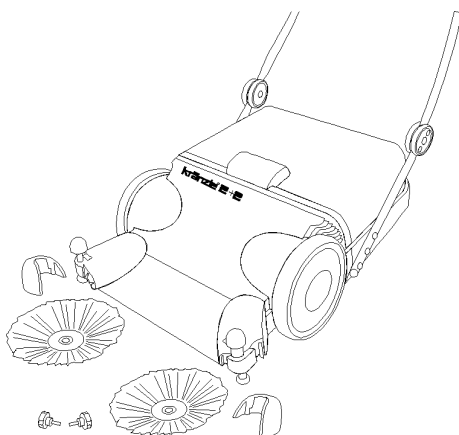
Pull the push handle upwards



Pull the cover of the interior.

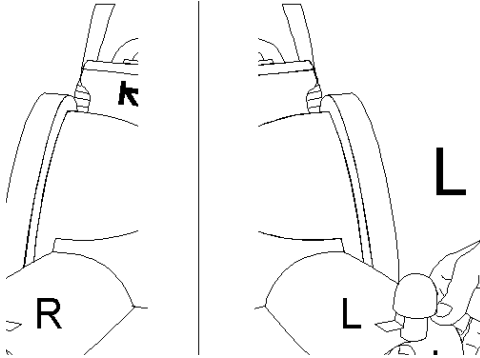


Grip the collector handle...

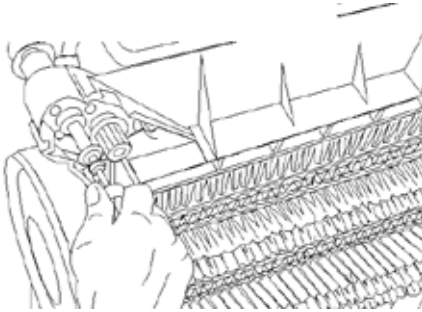


...and place the accessories on the ground

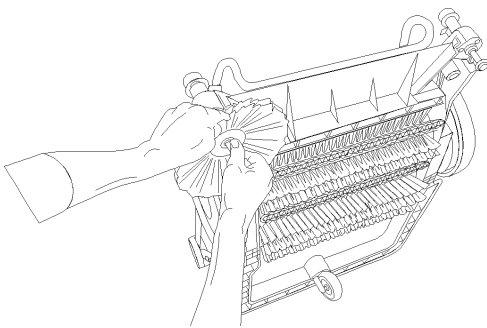
Assembly of side brushes and push handle



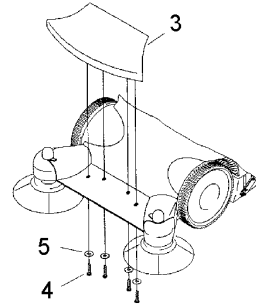
Now press the safety caps from above, making sure that they are attached to the correct sides (engraved right and left).



Fold back the handle on the machine. Now put the sweeper upside down on the ground and, remove the screw from the brass axle of the inlet brush.

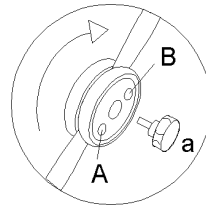


First place washer no. 72 on side brush no. 74 above the ball bearing and place both on bearing bolt A. Tighten the screw with safety washers no. 76 and no. 77 into the bolt.

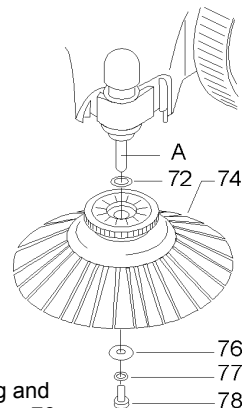


Loosen the four plastic screws (4) on the underside of the dust spoiler (3) and place the screws with the plain washer (5) on the ground.

Press the spoiler from the top onto the housing. Now turn the screws with the plain washer from below through the holes in the housing into the spoiler. Now tighten the screws.



Fix the push bar into the work position in hole (A) using the star screws provided (a).



Description

To empty the container

When the dirt container is full, take hold of the handle and simply pull it upwards. The contents can then be disposed of accordingly. Replace the container in the reverse order.

Loading brushes

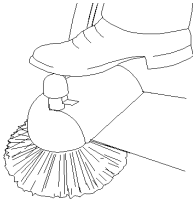


Fig. 1

Press the two brush heads to put the inlet brushes into the work position. The height of the side brushes can be adjusted on both sides.

Unloading the brushes

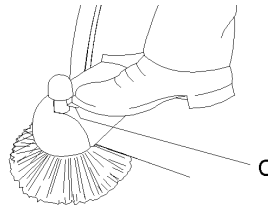
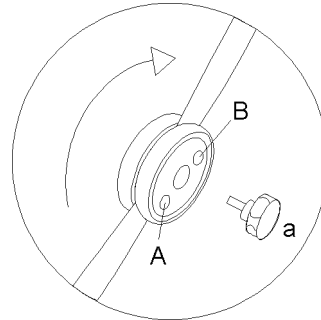
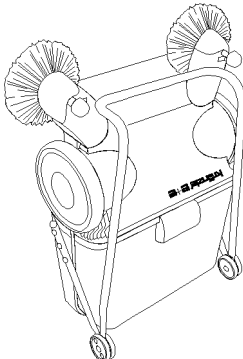


Fig. 2

When the inlet brushes are no longer required, press the release lever briefly and the brushes will engage in the rest position.

Storage

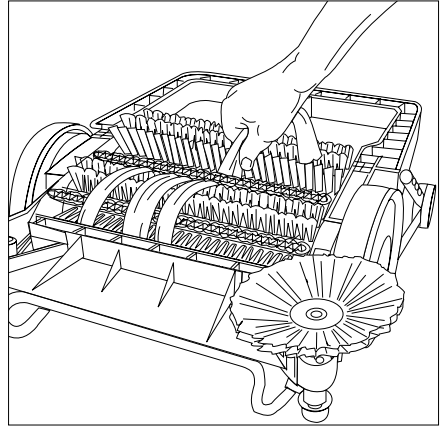
To release the constant pressure from the side brushes, it is recommended after each use to move the machine approx. 5 cm backwards, in order to relieve the bristles and to raise the side brushes using the lever (c) (fig. 2). This prevents the bristles from deforming and diminishing their cleaning efficiency.



To release strain on the bristles of the sweeping rollers and to save space in storage, you can unscrew the star screws (a) on the left and right of the push bar, fold the bar forwards into the parking position and replace the screw in hole B. The machine can now be stored vertically and requires less space. The container does not need to be emptied to do this.

Servicing

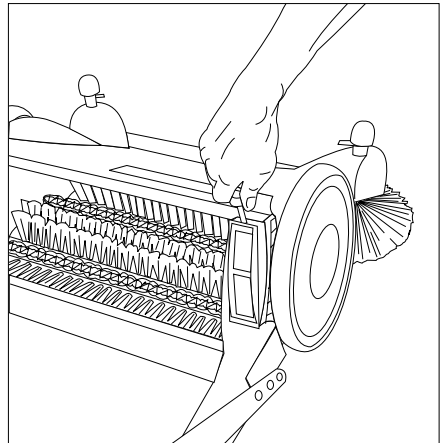
No work need to be done on the machine because it does not require servicing. However, you should check after each use that there are no threads, wire or strips of material round the roller. If there are any, they should be removed immediately since it will otherwise be impossible for the machine to oerate properly.



In the event og heavy soiling, grasp the dust filters (left and right) behind the cassette using the screw driver, lift them out completely and either clean the filter or replace it.

Filter paper:
Art.-no. 50.130

Repair set:
filter cassette complete:
Art.-no. 50.190



Warranty

This warranty covers material and/or workmanship related defects only and does not extend to ordinary wear.

Machine must be operated according to enclosed operating instructions which are part of present warranty conditions.

All products sold directly to private customers are warranted for a period of 24 months, whereas the warranty period for industrial purchases is limited to 12 months.

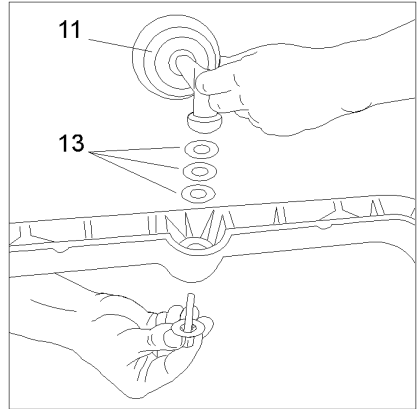
In case of any warranty claims, please have your HP cleaner together with accessories and your purchase document ready and contact your nearest dealer or authorized service point which can also be looked up in the internet at www.kraenzle.com .

Servicing

When the rollers are worn, the sweeper can be placed approx. 1 - 1,5 mm lower by removing the two washers no. 13 (see page 10).

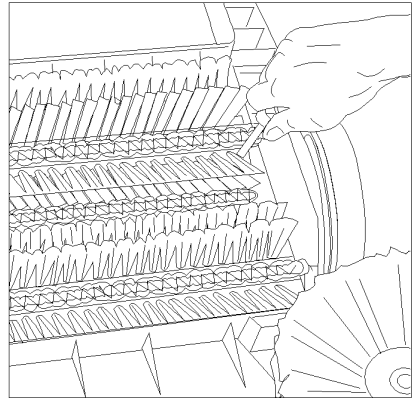
Important:

One washer no. 13 must always be kept under the screwhead to avoid damaging to the plastic frame

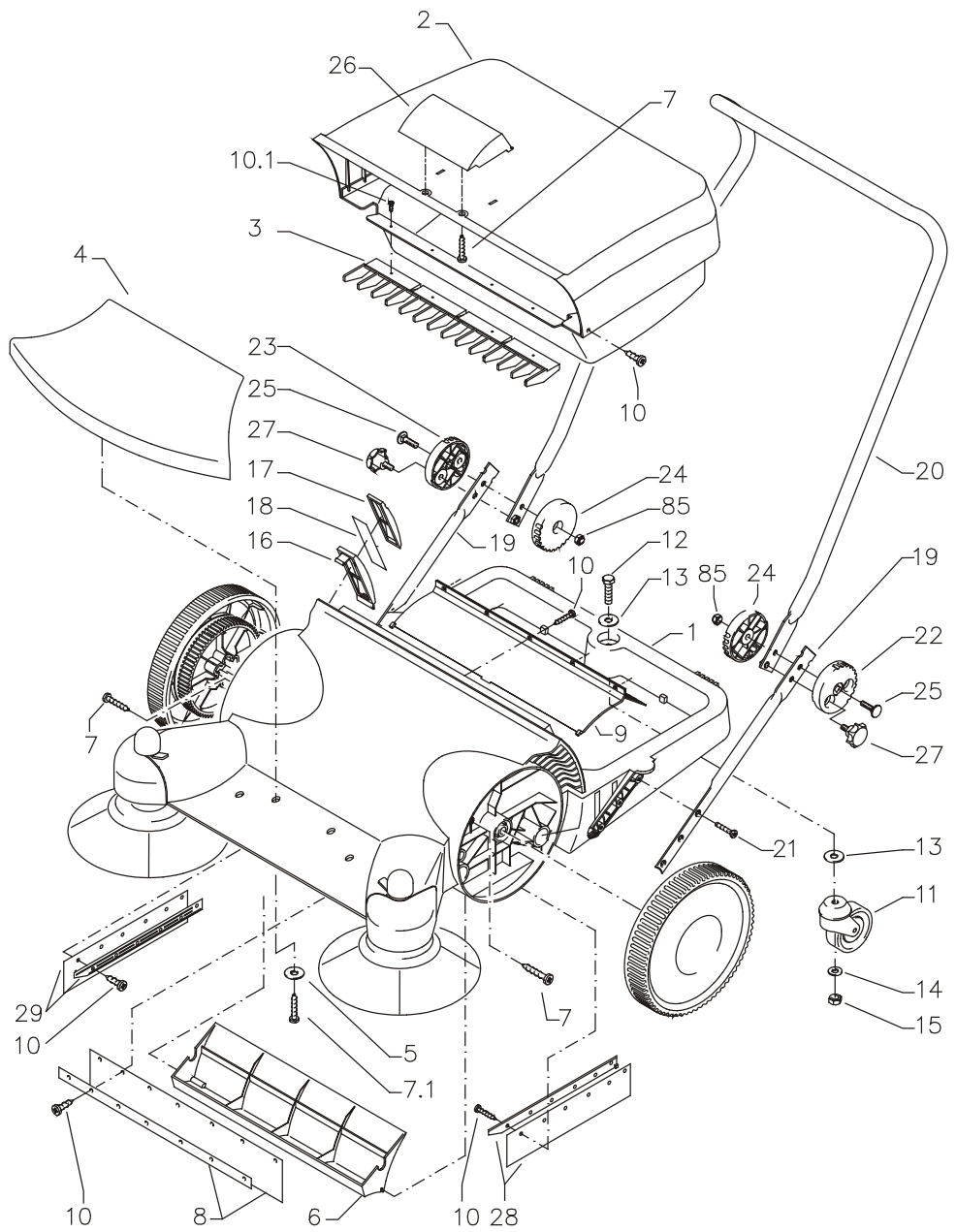


Easy replacement of brush rollers:

- 1) Put the machine upright on the joints of the folded-in push bar and the frame.
- 2) Turn the brush roller until the two screws no. 34 on the left and right side respectively are visible (see page 12) and remove these 4 screws.
- 3) Turn the brush rollers another half-turn and remove them by pulling them out.
- 4) Fit the new rollers in the reverse order.



Complete machine



Kränzle Power Sweeper 2 + 2

Spare parts list Power Sweeper 2 + 2 Complete machine

| Pos. | Description | Qty. | Part no. |
|------|--|------|----------|
| 1 | Gehäuse | 1 | 50.102 |
| 2 | Schmutzbehälter | 1 | 50.101 |
| 3 | Rechen | 1 | 50.151 |
| 4 | Abdeckung vorn | 1 | 50.150 |
| 5 | Unterlegscheibe 5,3 | 4 | 50.152 |
| 6 | Abweisleiste | 1 | 50.105 |
| 7 | Schraube 5,0 x 25 | 2 | 41.414 1 |
| 7.1 | Kunststoffschraube 5,0 x 20 | 4 | 43.018 |
| 8 | Gummilappen hinten mit Klemmleiste | 1 | 50.171 |
| 9 | Schmutzführung | 1 | 50.163 |
| 10 | Schraube 3,5 x 9,5 | 28 | 41.088 |
| 10.1 | Schraube 4,8 x 13 | 4 | 44.112 |
| 11 | Lenkrolle | 1 | 50.164 |
| 12 | Sechskantschraube M 10 x 45 | 1 | 50.180 |
| 13 | Scheibe 10,5 DIN 9021 | 2 | 50.182 |
| 14 | Scheibe 10,5 DIN 125 | 1 | 40.138 |
| 15 | Elastic-Stop-Mutter M 10 | 1 | 40.139 |
| 16 | Rahmen für Filter | 2 | 50.128 |
| 17 | Halterahmen für Filter | 2 | 50.129 |
| 18 | Filterpapier | 2 | 50.130 |
| 19 | Bügel unten | 2 | 50.140 |
| 20 | Schubbügel | 1 | 50.141 |
| 21 | Kunststoffschraube 6,0 x 30 | 6 | 43.423 |
| 22 | Gelenkschale außen links | 1 | 50.142 |
| 23 | Gelenkschale außen rechts | 1 | 50.143 |
| 24 | Gelenkschale innen (f. links und rechts) | 2 | 50.144 |
| 25 | Schloßschraube M 8 x 30 | 2 | 50.199 |
| 26 | Griff für Schmutzbehälter | 1 | 50.177 |
| 27 | Sterngriff M8 | 2 | 50.168 |
| 28 | Gummilappen links mit Klemmleiste | 1 | 50.145 |
| 29 | Gummilappen rechts mit Klemmleiste | 1 | 50.147 |
| 85 | Elastic-Stop-Mutter M 8 | 2 | 41.410 |

Repair set:

Filter cassette, complete

50.190

Pos. 16; Pos. 17; Pos. 18

Kränzle Power Sweeper 2 + 2

Spare parts list Power Sweeper 2 + 2 Left wheel and sweep rollers

| Pos. | Description | Qty. | Part no. |
|------|--|------|----------|
| 31 | Bürstenwalze vorn | 1 | 50.119 |
| 32 | Bürstenwalze hinten | 1 | 50.120 |
| 33 | Bürstenmitname | 2 | 50.121 |
| 34 | Holzschraube 3,5 x 17 | 4 | 50.165 |
| 35 | Sicherungsscheibe 10 | 6 | 50.133 |
| 36 | Scheibe 13 DIN 433 | 4 | 50.184 |
| 37 | Zahnrad z=14 | 1 | 50.115 |
| 39 | Abstandshülse 20,5 mm | 2 | 50.155 2 |
| 40 | Mitnahmebolzen (links hinten) | 1 | 50.126 |
| 41 | Rillenkugellager 12 / 28 / 8 | 6 | 50.156 |
| 42 | Loslagerbolzen (links unten) | 1 | 50.122 |
| 43 | Zahnrad Z=14 mit Keil (lang) | 1 | 50.116 |
| 44 | Bolzen für Seitenbesenantr. (links oben) | 1 | 50.124 |
| 46 | Elastic-Stop-Mutter M8 x 1 | 2 | 14.152 |
| 47 | Scheibe | 1 | 50.113 |
| 48 | Zahnrad links z=79 | 1 | 50.109 |
| 49 | Mitnahme | 6 | 50.111 |
| 50 | Rad mit Lagerung | 1 | 50.191 |
| 51 | Achse | 1 | 50.112 |
| 52 | Radkappe | 1 | 50.108 |
| 63 | Stahlversteifung | 1 | 50.167 |
| 72 | MS-Scheibe 12 x 24 x 4 | 1 | 50.149 |

Repair sets:

Brush roller, front, complete **50.192**

Pos. 31, 2 +Pos. 33, 4 +Pos. 34

Brush roller, rear, complete **50.193**

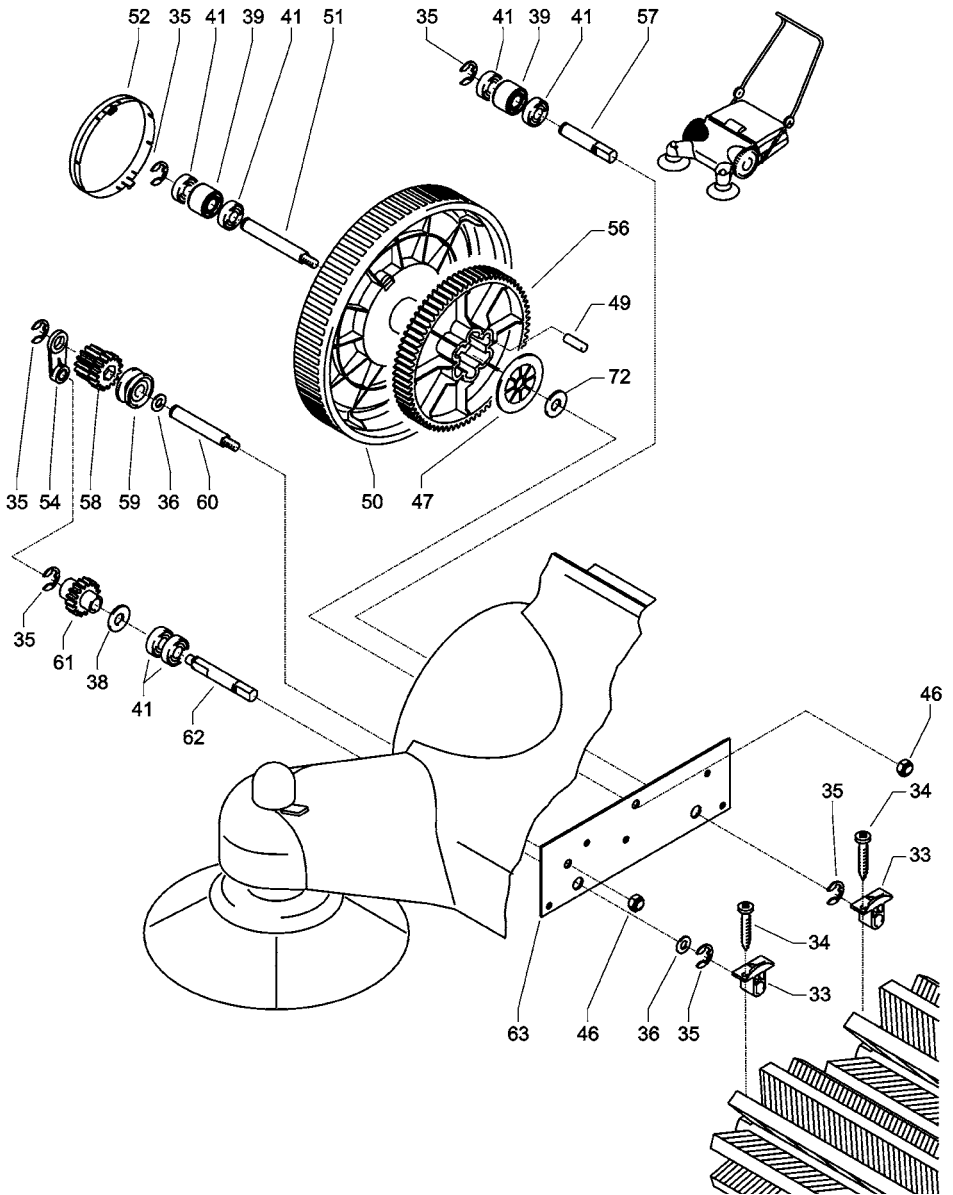
Pos. 32, 2 +Pos. 33, 4 +Pos. 34

Cog set „left“ **50.196**

3 +Pos. 35, 2 +Pos. 36, Pos. 37, Pos. 43, Pos. 47

Pos. 48, 6 +Pos. 49, 2 +Pos. 53, Pos. 72,

Right wheel



Kränzle Power Sweeper 2 + 2

Spare parts list Power Sweeper 2 + 2 Right wheel

| Pos. | Description | Qty. | Part no. |
|------|---|------|----------|
| 33 | Bürstenmitname | 2 | 50.121 |
| 34 | Holzschraube 3,5 x 17 | 4 | 50.165 |
| 35 | Sicherungsscheibe 10 | 6 | 50.133 |
| 36 | Scheibe 13 DIN 433 | 2 | 50.184 |
| 38 | MS-Scheibe 12 x 24 x 2,5 | 1 | 50.139 |
| 39 | Abstandshülse 20,5 mm | 2 | 50.155 2 |
| 41 | Rillenkugellager 12 / 28 / 8 | 6 | 50.156 |
| 46 | Elastic-Stop-Mutter M8 x 1 | 2 | 14.152 |
| 47 | Scheibe | 1 | 50.113 |
| 49 | Mitnahme | 6 | 50.111 |
| 50 | Rad mit Lagerung | 1 | 50.191 |
| 51 | Achse | 1 | 50.112 |
| 52 | Radkappe | 1 | 50.108 |
| 54 | Gegenlagerung zahnradgetriebe | 1 | 50.161 |
| 56 | Zahnrad rechts z=79 | 1 | 50.110 |
| 57 | Loslagerbolzen (rechts hinten) | 1 | 50.125 |
| 58 | Doppelzahnrad | 1 | 50.118 |
| 59 | Aufsteckriemenscheibe | 1 | 50.114 |
| 60 | Bolzen für Seitenbesenantr. (rechts oben) | 1 | 50.179 |
| 61 | Zahnrad z=16 | 1 | 50.117 |
| 62 | Mitnahmebolzen (rechts unten) | 1 | 50.123 |
| 63 | Stahlversteifung | 1 | 50.167 |
| 72 | MS-Scheibe 12 x 24 x 4 | 1 | 50.149 |

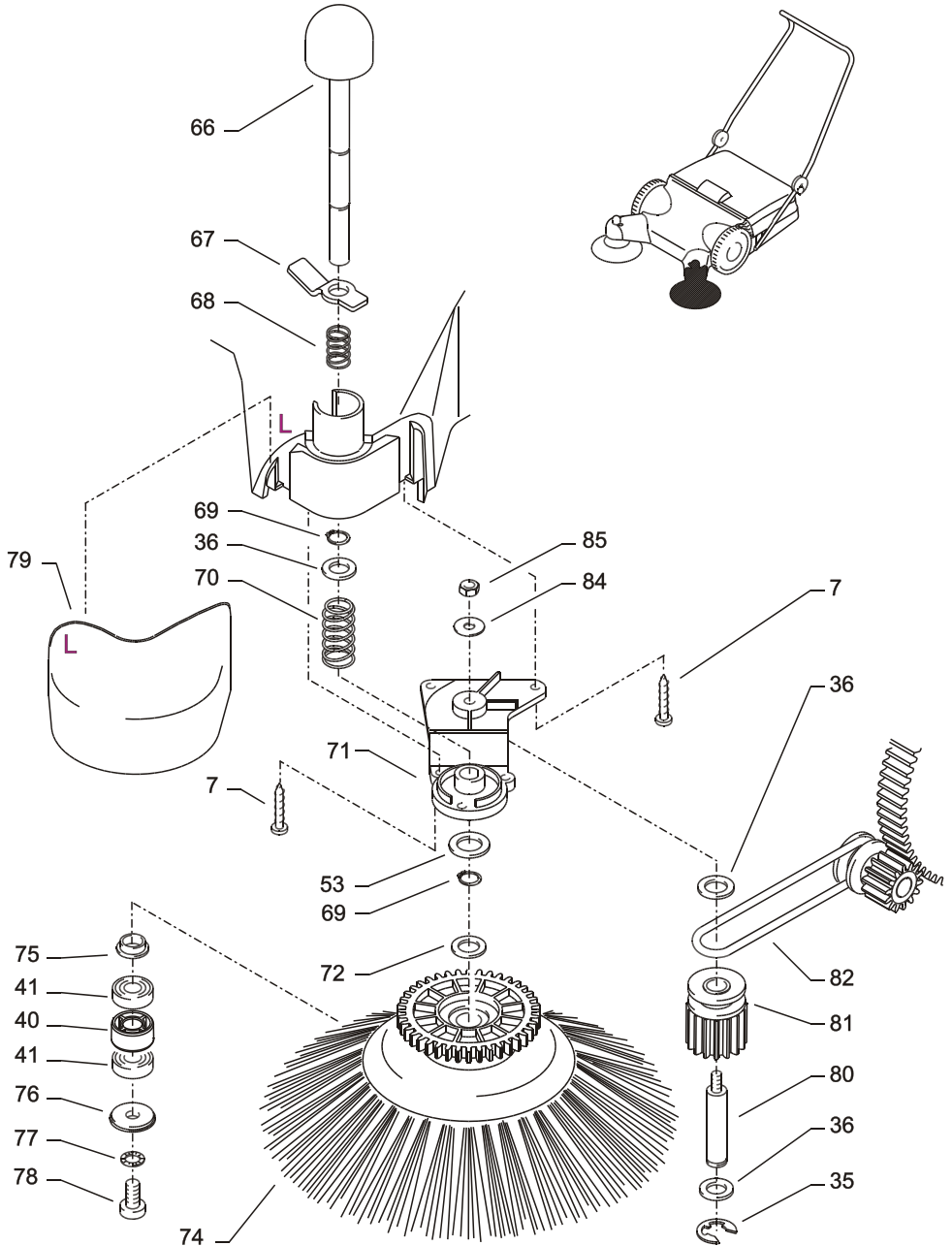
Repair sets:

Cog set „right“

50.197

3x Pos. 35, 3x Pos. 36, Pos. 47,
6x Pos. 49, Pos. 53, Pos. 56, Pos. 58,
Pos. 59, Pos. 61, Pos. 72,

Left side brush



Kränzle Power Sweeper 2 + 2

Spare parts list Power Sweeper 2 + 2 Left side brush

| Pos. | Description | Qty. | Part no. |
|------|---------------------------------|------|----------|
| 7 | Schraube 5,0 x 25 | 5 | 41.414 1 |
| 35 | Sicherungsscheibe 10 | 6 | 50.133 |
| 36 | Scheibe 13 DIN 433 | 6 | 50.184 |
| 40 | Abstandshülse 14,5 mm | 1 | 50.155 1 |
| 41 | Rillenkugellager 12 / 28 / 8 | 2 | 50.156 |
| 53 | MS-Scheibe 12 x 24 x 2,5 | 3 | 50.139 |
| 66 | Rastknopf | 1 | 50.132 |
| 67 | Fußraster | 1 | 50.131 |
| 68 | Druckfeder (klein) | 1 | 50.158 |
| 69 | Sicherungsring 12 DIN 471 | 2 | 50.137 |
| 70 | Rückstellfeder (groß) | 1 | 50.159 |
| 71 | Deckel für Seitenbesen | 1 | 50.134 |
| 72 | MS-Scheibe 12 x 24 x 4 | 1 | 50.149 |
| 74 | Seitenbesen | 1 | 50.136 |
| 75 | Büchse | 1 | 50.153 |
| 76 | Unterlegscheibe für Seitenbesen | 1 | 50.154 |
| 77 | Sicherungsring 8,4 | 1 | 40.054 |
| 78 | Schraube M8 x 16 | 1 | 50.138 |
| 79 | Kunststoffabdeckung links | 1 | 50.103 |
| 80 | Bolzen für Antriebszahnrad | 1 | 50.198 |
| 81 | Zahnrad Z=14 mit Keil (kurz) | 1 | 50.127 |
| 82 | Rundriemen | 1 | 50.160 |
| 84 | Scheibe 6,4 DIN 9021 | 1 | 50.174 |
| 85 | Elastic-Stop-Mutter M6 | 1 | 14.152 1 |

Repair sets:

Side brush drive, complete

50.194

Pos. 35, Pos. 36, Pos. 81, Pos. 82,

Side brush, complete

50.195

Pos. 39, Pos.72, Pos. 74, Pos. 75

Pos. 76, Pos. 77, Pos. 78

Kränzle Power Sweeper 2 + 2

Spare parts list Power Sweeper 2 + 2 Right side brush

| Pos. | Description | Qty. | Part no. |
|------|---------------------------------|------|----------|
| 7 | Schraube 5,0 x 25 | 5 | 41.414 1 |
| 35 | Sicherungsscheibe 10 | 6 | 50.133 |
| 36 | Scheibe 13 DIN 433 | 6 | 50.184 |
| 40 | Abstandshülse 14,5 mm | 1 | 50.155 1 |
| 41 | Rillenkugellager 12 / 28 / 8 | 2 | 50.156 |
| 53 | MS-Scheibe 12 x 24 x 2,5 | 3 | 50.139 |
| 66 | Rastknopf | 1 | 50.132 |
| 67 | Fußraster | 1 | 50.131 |
| 68 | Druckfeder (klein) | 1 | 50.158 |
| 69 | Sicherungsring 12 DIN 471 | 2 | 50.137 |
| 70 | Rückstellfeder (groß) | 1 | 50.159 |
| 72 | MS-Scheibe 12 x 24 x 4 | 1 | 50.149 |
| 74 | Seitenbesen | 1 | 50.136 |
| 75 | Büchse | 1 | 50.153 |
| 76 | Unterlegscheibe für Seitenbesen | 1 | 50.154 |
| 77 | Sicherungsring 8,4 | 1 | 40.054 |
| 78 | Schraube M8 x 16 | 1 | 50.138 |
| 80 | Bolzen für Antriebszahnrad | 1 | 50.198 |
| 81 | Zahnrad Z=14 mit Keil (kurz) | 1 | 50.127 |
| 82 | Rundriemen | 1 | 50.160 |
| 84 | Scheibe 6,4 | 1 | 50.174 |
| 85 | Elastic-Stop-Mutter M6 | 1 | 14.152 1 |
| 91 | Deckel für Seitenbesen rechts | 1 | 50.135 |
| 92 | Kunststoffabdeckung rechts | 1 | 50.104 |

Repair sets:

Side brush drive, complete **50.194**

Pos. 35, Pos. 36, Pos. 81, Pos. 82,

Side brush, complete **50.195**

Pos. 39, Pos. 72, Pos. 74, Pos. 75

Pos. 76, Pos. 77, Pos. 78

Notes

Notes

