

# KÄRCHER

makes a difference

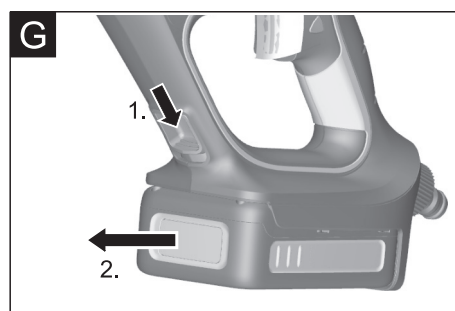
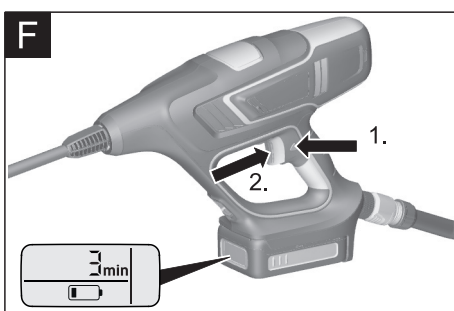
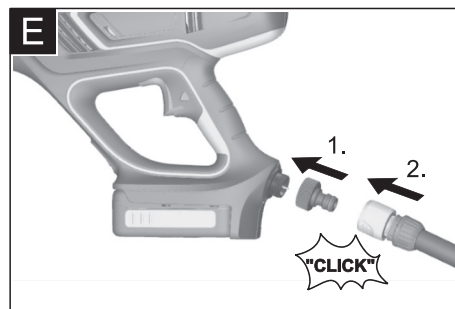
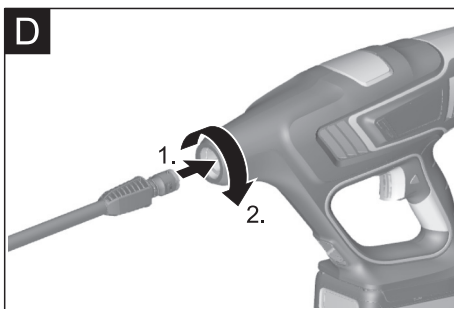
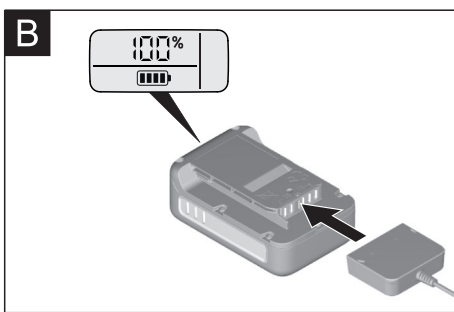
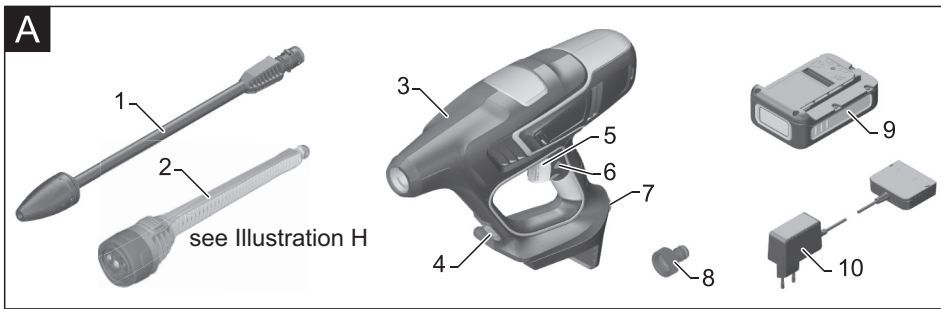
## KHB 5 Battery

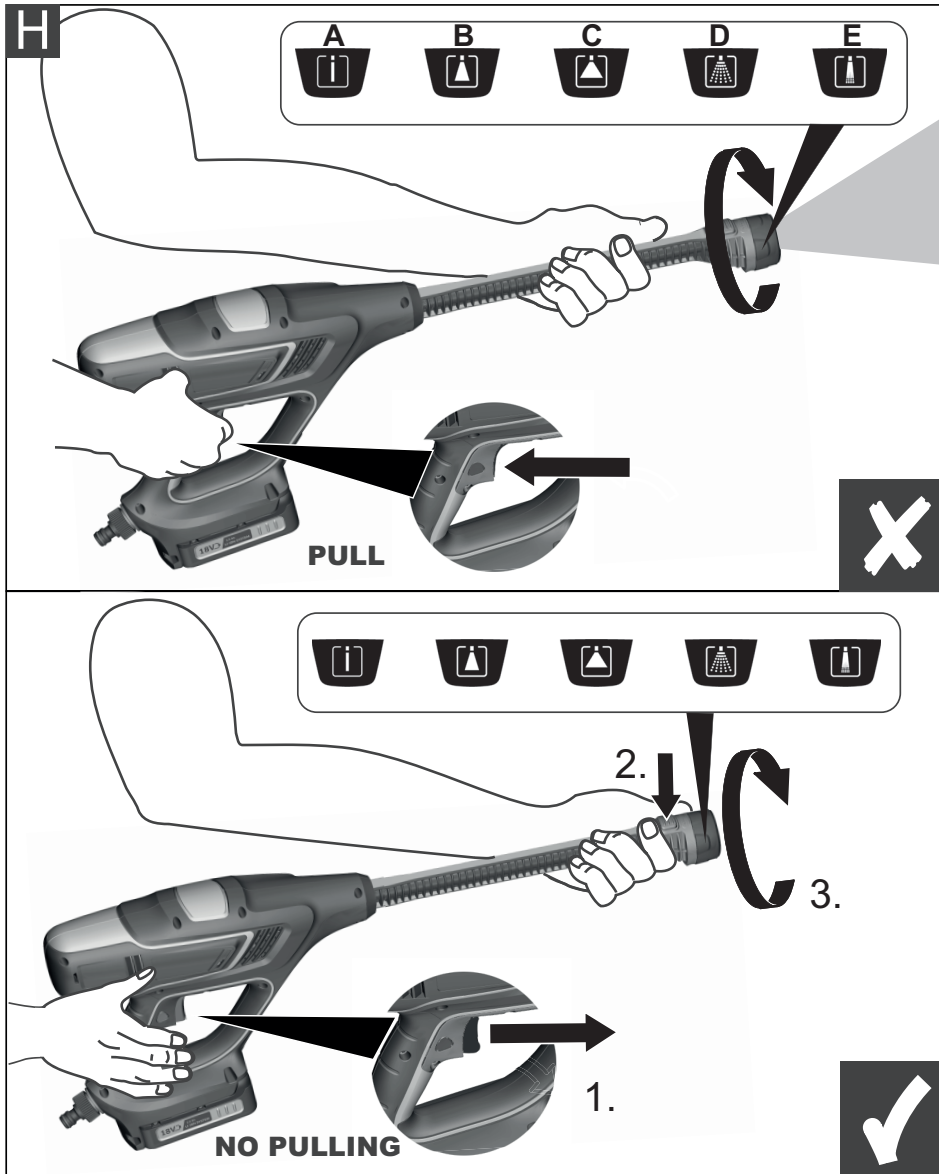
### Operating Instructions

Please read the operating instructions carefully before using the unit.



59687350 (03/19)






## Contents

Safety instructions . . . . .	4
Scope of delivery . . . . .	7
Proper use . . . . .	7
Environmental protection . . . . .	7
Warranty . . . . .	7
Description of the Appliance . . . . .	7
Start up . . . . .	8
Operation . . . . .	9
Transport . . . . .	9
Storage . . . . .	9
Cleaning and care . . . . .	9
Troubleshooting . . . . .	10
Accessories and Spare Parts . . . . .	10
Technical specifications . . . . .	11
EU Declaration of Conformity . . . . .	11

## Safety instructions

 *Please read and comply with these original instructions prior to the initial operation of your appliance and store them for later use or subsequent owners.*

### Safety Devices

- ⚠ CAUTION**
- *Safety installations serve the protection of the user and may not be modified or bypassed.*

### Lock

*The lock blocks the power switch and prevents the device from switching on unintentionally.*

## Danger or hazard levels

### ⚠ **DANGER**

*Pointer to immediate danger, which leads to severe injuries or death.*

### ⚠ **WARNING**

*Pointer to a possibly dangerous situation, which can lead to severe injuries or death.*

### ⚠ **CAUTION**

*Pointer to a possibly dangerous situation, which can lead to minor injuries.*

### **ATTENTION**

*Pointer to a possibly dangerous situation, which can lead to property damage.*

## Safe handling

### ⚠ **DANGER**

- *The user must use the appliance as intended. The person must consider the local conditions and must pay attention to other persons in the vicinity when working with the appliance.*
- *The appliance may not be operated in explosive atmospheres.*
- *If the appliance is used in hazardous areas the corresponding safety provisions must be observed.*
- *Do not use the appliance if it fell down, is visibly damaged or leaking.*
- *The liquid must not be directed towards equipment containing electrical components.*

- Never use the appliance to clean objects containing hazardous substances (e.g. asbestos).

**⚠ WARNING**

- The appliance must not be operated by children or persons who have not been instructed accordingly.
- This appliance is not intended for use by persons with limited physical, sensory or mental capacities or lacking experience and/or skills, unless such persons are accompanied and supervised by a person in charge of their safety or they have received precise instructions on the use of this appliance and have understood the resulting risks.
- Children must not play with this appliance.
- Supervise children to prevent them from playing with the appliance.
- Operate or store the appliance only in accordance with the description or illustration!
- Never direct the jet at people, animals or loose objects!
- The appliance contains electrical components - do not clean under running water.
- According to applicable regulations, the device must never be used with the drinking water network without a system separator. Ensure that the connection to your house water system, with which the de-

vice is operated, is equipped with a system separator according to EN 12729 type BA.

- Water that has flown through a system separator is no longer classified as drinking water.

**⚠ CAUTION**

- Dry running may damage the device.
- Never leave the appliance unattended as long as it is in operation.

**ATTENTION**

- Do not operate the appliance at temperatures below 0 °C.

**Symbols on the machine**



The appliance must not be directly connected to the public drinking water network.

**Charger safety instructions**

**⚠ DANGER**

- Check the plug-in power supply, connection cable, battery adapter and battery pack for damage before every use. Damaged devices may no longer be used and must be replaced.
- Do not open the charger. The charger must be replaced if damaged or defect.
- Do not operate the charger in explosive environment.
- Never touch the mains plug and the socket with wet hands.
- Do not use the charger if dirty or wet.

- Do not charge battery (primary cells); risk of explosion.

**⚠ CAUTION**

- The mains voltage must match the voltage mentioned on the type plate of the charger.
- Use the charger only to charge approved battery packs.
- Only charge the battery pack using the original charger enclosed or with a charger approved by KÄRCHER.

**ATTENTION**

- Do not carry charger by the connection cable.
- Keep connection cable away from heat, sharp edges, oil and moving parts.
- Do not cover the plug-in power supply.
- Avoid extension cables with multiple sockets and simultaneous operation of several devices.
- Do not wind the connection cable around the or the battery adapter to avoid damages.

### Symbols on the charger



Protect the charger against moisture and store it dry. The device is only suitable for use in rooms; do not expose the device to rain.



The charger has a built-in fuse of 1 ampere.



The charger meets the requirements of protective class II.

### Battery pack safety instructions

**Be sure to read the safety instructions enclosed with the battery pack and observe these during use!**

## Scope of delivery

The scope of delivery of your appliance is illustrated on the packaging. Check the contents of the appliance for completeness when unpacking.

In the event of missing accessories or any transport damage, please contact your dealer.

## Proper use

This battery powered pressure cleaner should be used for private households only:

- for cleaning machines, vehicles, buildings, tools, façades, terraces, garden machines etc. by means of a water stream.
- with accessory parts and spare parts approved by KÄRCHER.

## Environmental protection



Old appliances contain valuable recyclable materials that should be recycled properly. Batteries and accumulators contain substances that must not enter the environment. Please dispose of old devices and batteries or accumulators in an environmentally friendly way.

Electrical and electronic devices often contain components which could potentially pose a danger to human health and the environment if handled or disposed of incorrectly. However, these components are necessary for the proper operation of the device. Devices marked with this symbol must not be disposed of with regular household rubbish.



The packaging material can be recycled. Please arrange for the environmentally appropriate disposal of the packaging.



Cleaning operations which produce oily waste water, e.g. engine washes, underbody washes, may only be carried out using washing stations equipped with an oil separator.

### Notes about the ingredients (REACH)

You will find current information about the ingredients at:

[www.kaercher.com/REACH](http://www.kaercher.com/REACH)

## Warranty

The warranty terms published by the relevant sales company are applicable in each country. We will repair potential failures of your appliance within the warranty period free of charge, provided that such failure is caused by faulty material or defects in manufacturing. In the event of a warranty claim please contact your dealer or the nearest authorized Customer Service centre. Please submit the proof of purchase.

Addresses can be found under:

[www.kaercher.com/dealersearch](http://www.kaercher.com/dealersearch)

## Description of the Appliance

These operating instructions describe the maximum equipment. Depending on the model, there are differences in the scopes of delivery (see packaging).

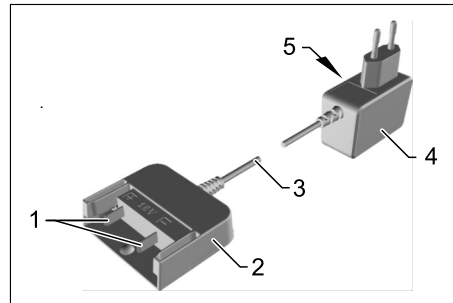
### Illustrations on Page 2 - 3

Illustration **A**

Illustration **H**

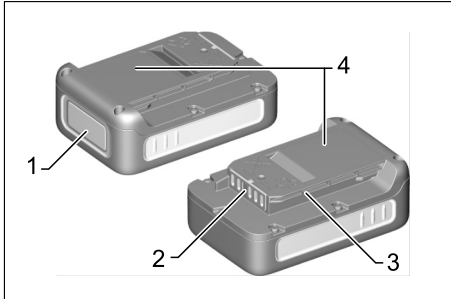
- 1 Dirt blaster  
For strong contaminations.
- 2 MJ 24-Handheld  
5-in-1 Multi Jet with different jet setting options for different cleaning tasks:
  - A Point jet
  - B Flat jet
  - C Rinse jet
  - D Mist jet
  - E Irrigation Jet
- 3 Pressure cleaner (battery powered)
- 4 Battery pack release
- 5 Power switch
- 6 Lock
- 7 Water connection with fine filter
- 8 Coupling element for water connection
- 9 Battery pack (Battery Power 18/25)
- 10 Standard charger Battery Power 18 V

## Standard charger



- 1 Battery contacts
- 2 Battery adapter
- 3 Connection cable
- 4 Plug-in power supply
- 5 Nameplate

## Battery pack



- 1 Display
- 2 Contacts
- 3 Intake
- 4 Nameplate

### Display

The battery pack is equipped with a display that provides continuous information on the charging state, the progress of charging and the remaining battery life. In addition, any error messages occurring will also be shown.

Depending on the device used, the display rotates when the battery pack is inserted.

Display	Meaning
<b>Battery in storage</b>	
	Charging state of the battery pack while not in use.
<b>Battery in use</b>	
	Remaining battery life of the battery pack while in use.
<b>Battery charging</b>	
	Remaining charging time of the battery pack during charging.
	Battery pack fully charged.
<b>Error display</b>	
	Battery pack temperature outside the permitted values or disabled due to short-circuit (see Help in case of malfunctions).
	Battery pack defective and disabled for safety. Do not use the battery pack anymore and dispose of it properly.

### Note

To ensure that the charge level indicator works correctly, the battery pack must be discharged during initial use until the device is switched off.

## Start up

### Note

New battery packs are only pre-charged and must be completely charged prior to the initial use. The display is activated during the first charging process.

## Charging the battery pack

### ⚠ CAUTION

Risk of injury, risk of damage due to exploding battery! Only charge the battery packs with the appropriate charger.

Illustration **B**

- ➔ Push the battery pack into the battery adapter of the charger.
- ➔ Plug the plug-in power supply into the socket.
- The charging process begins automatically.
- The display shows the remaining charging time of the battery pack in minutes during the charging process.
- The charging process ends once the battery pack display reads 100%.

### Note

If the display does not show anything when the battery pack is in the charger, the battery capacity is fully depleted or very low. As soon as the battery pack has been sufficiently charged, the display shows the remaining charging time.

**If the display does not show anything even after a long period of time, the battery pack is defective and must be replaced.**

- ➔ Remove the battery adapter from the battery pack after charging.
- ➔ Pull the plug-in power supply from the socket.

### Note

New battery packs reach their full capacity after approx. 5 charging and discharging cycles. Charge batteries that have not been used for a long time before use.

The performance of the battery pack is reduced at temperatures below 0°C. The capacity of the battery pack may be reduced if stored at temperatures over 20°C.

## Inserting the battery pack

### ⚠ CAUTION

Risk of personal injury or damage! Ensure that the battery pack properly snaps into place.

Illustration **C**

- ➔ Insert the battery pack into the intake of the device.

## Attaching the spray lance

Illustration **D**

- ➔ Insert the desired spray lance and lock it by turning it 90°.

Illustration **F**

- ➔ While changing the MJ 24 handheld jet settings do not pull the power switch.



## Water supply

For connection values, see type plate/technical data. Observe regulations of water supplier.

Illustration **E**

- Screw the coupling element to the water connection on the appliance.
- Use a 1/2 inch water hose (not included in the scope of delivery) with a commercially available coupling.
- Attach the water supply hose to the coupling on the water connection.
- Connect the water supply hose to the water supply.
- Completely open the water tap.

## Operation

### ATTENTION

*Dry running of more than 2 minutes leads to damage to the pump. If the device does not build up pressure within 2 minutes, switch the device off and proceed in accordance with the instructions in the chapter "Troubleshooting".*

## Starting cleaning

Illustration **F**

- Release the lock on the power switch.
- Press the power switch.

### Note

*During use, the display shows the remaining operating time.*

## Working with detergent

- Kärcher offers detergent spray bottles for vehicle care.

### Recommended cleaning method

- Spray the detergent sparingly on the dry surface and allow it to react, but not to dry.
- Rinse off loose dirt with the pressure jet.

## Interrupting operation

- Release the power switch.
- Secure the power switch with the lock.

## Finish operation

- Release the power switch.
- Turn off tap.
- Press the power switch to relieve the remaining pressure in the system.
- Detach the appliance from the water supply.
- Secure the power switch with the lock.

## Removing the battery pack

Remove the battery pack from the device after completion of the work.

Illustration **G**

- Press the lock downwards.
- Pull the battery pack backwards.
- Recharge battery pack after work.

**Note:** Also charge partly discharged battery packs after use.

## Transport

### ⚠ CAUTION

*Risk of personal injury or damage!*

*Mind the weight of the appliance during transport.*

### When transporting by hand

- Lift appliance by the carrying handle and carry it.

### When transporting in vehicles

- Secure the appliance against shifting and tipping over.

## Battery pack

The lithium-ion battery pack is subject to the requirements of dangerous goods regulations and can be transported by the user in public traffic areas without any further restrictions.

When shipping by third parties (transport companies), special requirements for packaging and labelling must be observed.

Only send the battery pack if the casing is undamaged. Tape off open contacts and pack the battery pack tightly and securely. It must not be able to move in the packaging.

Please also observe the national regulations.

## Storage

### ⚠ CAUTION

*Risk of personal injury or damage!*

*Consider the weight of the appliance when storing it.*

### Storing the Appliance

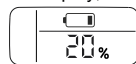
- This appliance must only be stored in interior rooms.
- Park the machine on an even surface.

## Battery pack

### ATTENTION

*Risk of damage! Store the battery packs in rooms with low humidity and below 20 °C only.*

The battery pack indicates its current charging state on the display, even without being connected to a charger.



If the battery pack display goes out during storage, the battery capacity is fully depleted and the display has been switched off. Please recharge the battery as soon as possible.

## Cleaning and care

### ⚠ DANGER

*Short circuit hazard!*

*Do not clean the device with a hose or high-pressure water jet.*

*Switch the device off and remove the battery pack before working on the device.*

### ⚠ ATTENTION

*Risk of damage!*

*Do not use any abrasive or aggressive detergents for cleaning purposes.*

- Regularly check the battery terminals and adapter for soiling and clean them as necessary.
- Recharge battery packs that are stored over a longer period of time.

## Troubleshooting

### **⚠ DANGER**

Repair work and work on the electrical components may only be performed by an authorised customer service. You can rectify minor faults yourself with the help of the following overview.

If in doubt, please consult the authorized customer service.

### Appliance is not running

- The battery pack is not seated correctly in the battery holder, insert the battery pack into the battery holder and let it click into place.
- Charging state of the battery pack (see display) too low, charge the battery if necessary.
- Defect battery pack or charger, replace battery pack or charger with new accessory.

### The device switches off automatically

- Device/battery pack is overheated, wait briefly to allow device/battery pack to cool down.

### Appliance is not running

- Charge battery pack.
- The device shuts off due to the risk of the battery overheating to prevent damage.  
**Note:** Do not place the device and the battery pack in direct sunlight and let the battery pack cool down.

### Pressure does not build up in the appliance

- Check the water supply.
- Check the fine filter in the water connection.

### Strong pressure fluctuations

- Clean the nozzle: Remove contamination and debris from the nozzle drill, using a needle and rinse through with water towards the front.
- Check the water supply.

### Appliance is leaking

- Dropwise leakage of the device is normal for technical reasons. If the leakage increases contact the authorized customer service.

### Display error messages

#### Error during charging

**Display is on but the battery pack is not charging**  
Charger defective. Replace the charger.

**Display is off, battery pack not charging**  
The battery pack may be completely discharged. Wait and see if the display shows the remaining charging time after some time. If not, the battery pack is defective. Replace the battery pack.

**Display shows temperature symbol, battery pack not charging**  
Battery pack temperature too low / too high. Put the battery pack in a moderate temperature environment. Wait until the battery pack temperature has normalized. The charging process then starts automatically.

#### Error during operation

**The display shows the temperature symbol**  
Battery pack temperature too low / too high. Put the battery pack in a moderate temperature environment. Wait until the battery pack temperature has normalized.

In case of a short circuit, the battery pack is disabled for 30 seconds for further use. If the short-circuit occurs more frequently, the battery pack is permanently disabled. Connect the battery pack to the charger to unlock it.

**Display shows remaining run time 0, device switches off.**  
The battery pack is discharged. Please recharge the battery pack.

#### Storage error

**Display shows no remaining capacity**  
The battery pack is discharged. Please recharge the battery pack.

**Display shows remaining capacity 70% even though the battery pack has been freshly charged.**  
The battery pack is in automatic storage mode. This is activated if the battery has not been used for more than 21 days. This function protects the battery cells against rapid aging and increases their service life. Fully recharge the battery pack before next use.

#### General fault

**Display screen shows broken battery symbol.**  
Battery pack defective and disabled for safety. Do not use the battery pack anymore and dispose of it properly.

## Accessories and Spare Parts

Only use original accessories and spare parts, they ensure the safe and trouble-free operation of the device. For information about accessories and spare parts, please visit [www.kaercher.com](http://www.kaercher.com).


### Special accessories

- Fast charger and battery pack with a larger capacity are available as special accessories.  
**Note:** The device can only be operated with 18 V battery packs and is not compatible with 36 V battery packs.
- Only special accessories with the note "Handheld" (with blue plug) can be used.  
**Note:** Spray lances from high-pressure cleaners are not compatible.

### Information on battery pack and charger

- Batteries / chargers that are not supplied in the scope of delivery or are additionally required are available as special accessories or can be purchased later.
- Before using the quick charger and battery pack, please observe the operating instructions of the device used and any safety instructions enclosed.
- More information on the operating instructions for battery packs or on accessories and spare parts can be found at [www.kaercher.com](http://www.kaercher.com).

## Technical specifications

Device	
Battery pack nominal voltage	18 V =
Protective class	III
Operating time when battery fully charged (max.)	10 min
Water connection	
Max. feed temperature	40 °C
Max. feed pressure	1,0 MPa
Performance data	
Max. permissible pressure	2,4 MPa
Values determined as per EN 60335-2-79	
Hand-arm vibration value	1,3 m/s <sup>2</sup>
Uncertainty K	0,6 m/s <sup>2</sup>
Sound pressure level L <sub>pA</sub>	74 dB(A)
Uncertainty K <sub>pA</sub>	3 dB(A)
Sound power level L <sub>WA</sub> + Uncertainty K <sub>WA</sub>	89 dB(A)
Battery Power 18/25	
Battery type	Li-Ion
Battery pack nominal voltage	18 V =
Rated capacity (according to IEC/EN 61690)	2,4 Ah
Rated capacity (according to specifications of cell manufacturer)	2,5 Ah
Rating (in accordance with UN 3480)	43,2 Wh
Max. charging current	3,5 A
Operating temperature	-20...40 °C
Charging temperature	0...40 °C
Storage temperature	-20...60 °C
Weight	0,5 kg
Dimensions (L x W x H)	133 x 88 x 50 mm
Standard charger Battery Power 18 V	
Nominal voltage	100-240 V
Frequency	50-60 Hz
Power input (max.)	0,3 A
Protective class	II 
Battery pack nominal voltage	18 V =
Charging power (max.)	0,5 A
Charging time (for an empty battery pack) approx.	4 h
Weight (without battery pack)	0,16 kg

Subject to technical changes.

## EU Declaration of Conformity

We hereby declare that the machine described below complies with the relevant basic safety and health requirements of the EU Directives, both in its basic design and construction as well as in the version put into circulation by us. This declaration shall cease to be valid if the machine is modified without our prior approval.

**Product:** Pressure cleaner (battery powered)

**Type:**  
1.328-1xx

### Relevant EU Directives

2014/35/EU  
2014/30/EU  
2011/65/EU  
2000/14/EC

### Applied harmonized standards

EN 60335-1  
EN 60335-2-29  
EN 60335-2-54  
EN 62233: 2008  
EN 55014-1:2017  
EN 55014-2: 2015  
EN 61000-3-2: 2014  
EN 61000-3-3: 2013  
EN 50581

### Applied conformity evaluation method

2000/14/EC: Appendix V

### Sound power level dB(A)

Measured: 86  
Guaranteed: 89

The signatories act on behalf of and with the authority of the company management.

  
H. Jenner

Chairman of the Board of Management

  
S. Reiser

Director Regulatory Affairs & Certification

Documentation supervisor:  
S. Reiser

Alfred Kärcher SE & Co. KG  
Alfred-Kärcher-Straße 28-40  
71364 Winnenden (Germany)  
Tel.: +49 7195 14-0  
Fax: +49 7195 14-2212

Winnenden, 2018/08/01



**[www.kaercher.com/service](http://www.kaercher.com/service)**

**Alfred Kärcher SE & Co. KG**  
Alfred-Kärcher-Str. 28-40  
71364 Winnenden (Germany)  
Tel.: +49 7195 14-0  
Fax: +49 7195 14-2212

