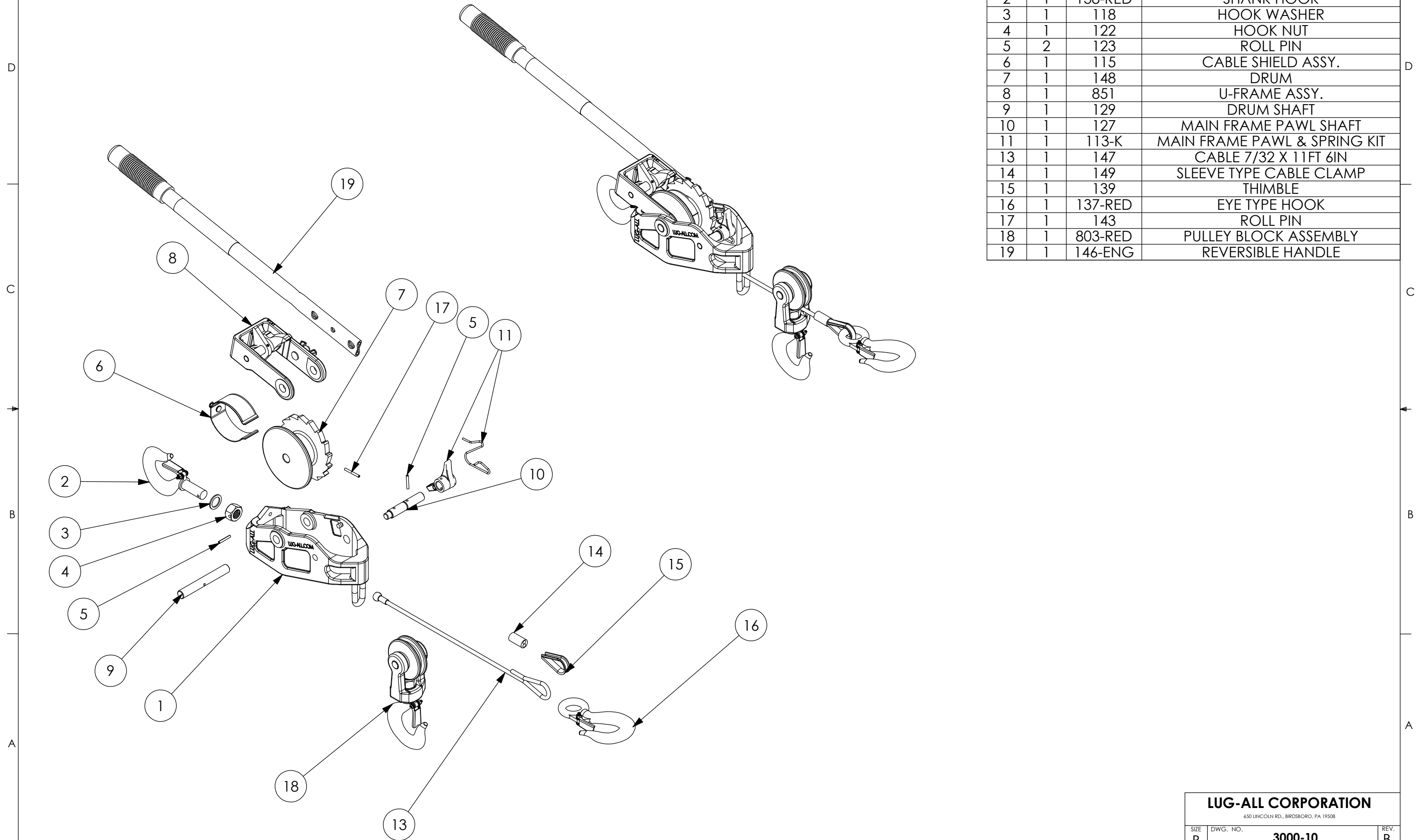


THE INFORMATION CONTAINED IN THIS DRAWING IS THE SOLE PROPERTY OF LUG-ALL CORPORATION. ANY REPRODUCTION IN PART OR AS A WHOLE WITHOUT THE WRITTEN PERMISSION OF LUG-ALL CORPORATION IS PROHIBITED.

ITEM	QTY.	PART NO.	DESCRIPTION
1	1	160	MAIN FRAME
2	1	138-RED	SHANK HOOK
3	1	118	HOOK WASHER
4	1	122	HOOK NUT
5	2	123	ROLL PIN
6	1	115	CABLE SHIELD ASSY.
7	1	148	DRUM
8	1	851	U-FRAME ASSY.
9	1	129	DRUM SHAFT
10	1	127	MAIN FRAME PAWL SHAFT
11	1	113-K	MAIN FRAME PAWL & SPRING KIT
13	1	147	CABLE 7/32 X 11 FT 6 IN
14	1	149	SLEEVE TYPE CABLE CLAMP
15	1	139	THIMBLE
16	1	137-RED	EYE TYPE HOOK
17	1	143	ROLL PIN
18	1	803-RED	PULLEY BLOCK ASSEMBLY
19	1	146-ENG	REVERSIBLE HANDLE



**LUG-ALL CORPORATION**  
650 LINCOLN RD., BIRDSBORO, PA 19508

SIZE <b>B</b>	DWG. NO. <b>3000-10</b>	REV. <b>B</b>
CAD FILE: 3000-10		SHEET 1 OF 1