

FURRION

21" 2-IN-1 RANGE OVEN WITH DIE-CAST GRATE

+ DRAWER (OPTION)

FSRX21XA



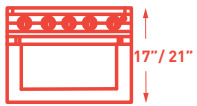
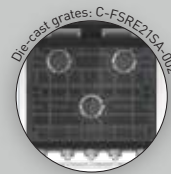
FSRE21SA-BL
FDO12A-SS



FSRE21SA-SS
FDO12A-BL



FSRL21CA-BL
FDO12NA-BL



PROFILE
OPTIONS



CAVITY
LIGHTING



LED
KNOB



IMPROVED HEAT
DISTRIBUTION



BROILER
FUNCTION



FLUSH
MOUNTED



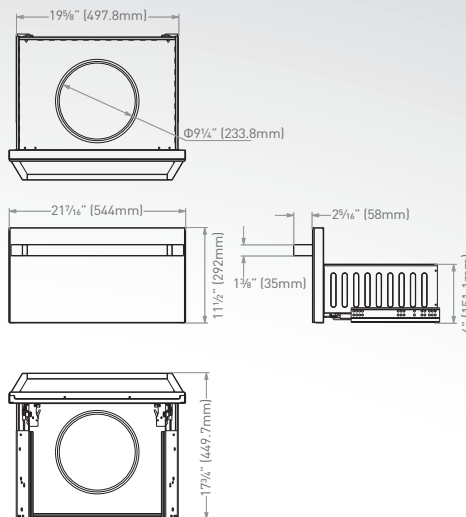
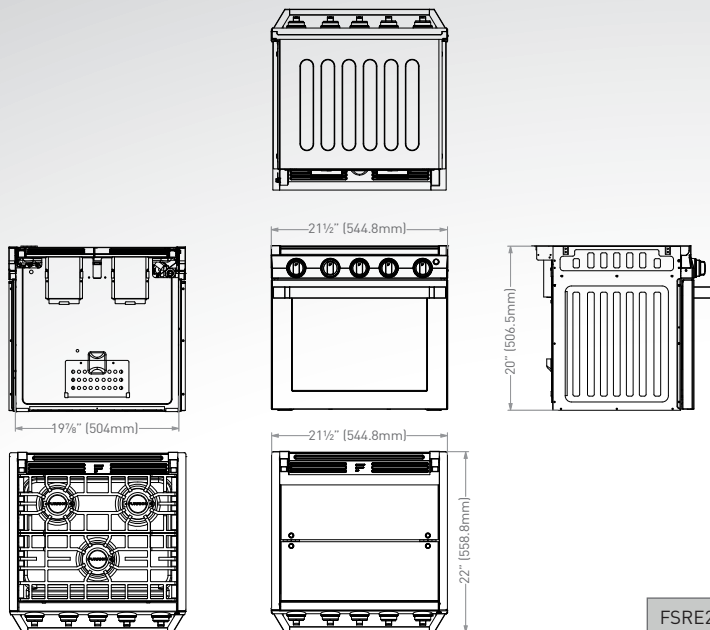
GLASS
COVER



FSRX21XA | 21" 2-IN-1 RANGE OVEN WITH DIE-CAST GRILL (DRAWER OPTION)

Range Oven

Drawer



Top view without glass cover

FSRE21SA-SS (Stainless steel) FSRL21CA-BL (Black, with black handle) FSRE21SA-BL (Black, with stainless steel handle)	21" 2-in-1 Range Oven
FD012A-SS (Stainless steel) FD012A-BL (Black, with black handle) FD012NA-BL (Black, with stainless steel handle)	Drawer for 17"/21" 2-in-1 Range Oven

Specifications

Left Cooktop Burner	6500 BTU
Front Cooktop Burner	8000 BTU
Right Cooktop Burner	6500 BTU
Oven Burner	7100 BTU

Pulse Ignition	✓
Cavity Light	✓
LED Manual Knob	✓
Gas Safety Cut-off Valve	✓
Triple Layer Glass Door	3-layer glass for the oven door

Glass Cover	2-piece hinged cover
-------------	----------------------

Dimensions

Range Oven (W x H x D)	21 1/2" x 21 1/4" x 22" (544.8 x 500 x 558mm)
Drawer (W x H x D)	21 1/8" x 11 1/2" x 17 3/4" (544 x 292 x 449.7mm)

Packaging Information (Range Oven)

Packaging Type	Brown Box
Quantity Per Box (pcs)	1
Individual Packaging Dimensions (W x H x D)	25" x 25" x 23 3/16" (635 x 635 x 605mm)
Individual Packaging Gross Weight (kg/lbs)	36.5/80.5
Individual Packaging Net Weight (kg/lbs)	33.0/72.8

Container Load Information

40'HQ Container Load (pcs)	216
----------------------------	-----

Packaging Information (Drawer)

Packaging Type	Brown Box
Quantity Per Box (pcs)	1
Individual Packaging Dimensions (W x H x D)	22 5/8" x 13" x 18 1/16" (574 x 330 x 474mm)
Individual Packaging Gross Weight (kg/lbs)	12/26.5
Individual Packaging Net Weight (kg/lbs)	9/19.8

Container Load Information

40'HQ Container Load (pcs)	650
----------------------------	-----