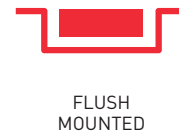


FGH3Z25-SS



FGH3Z25-BL

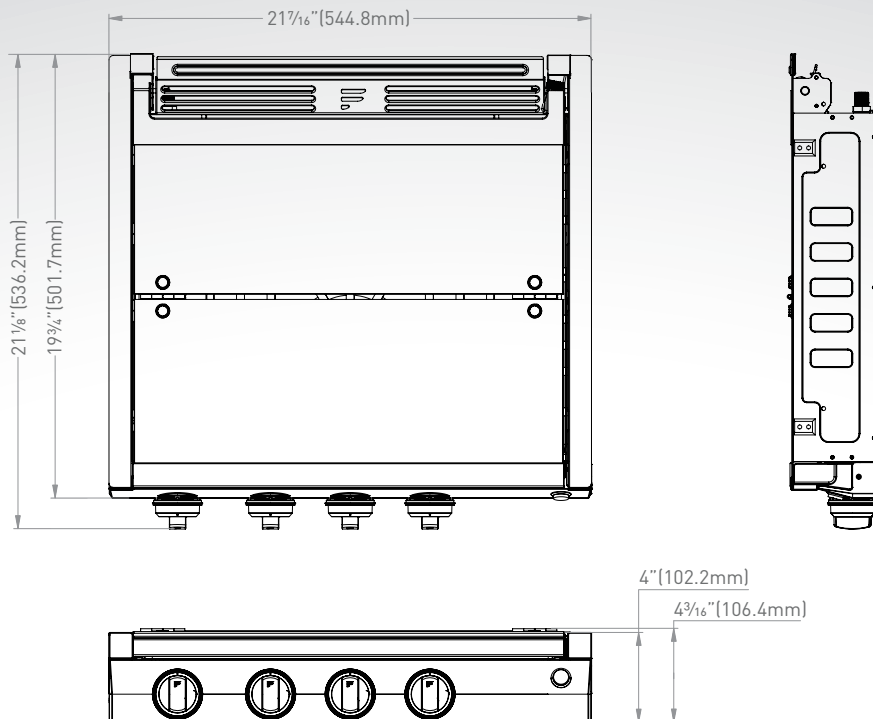


- Conveniently installs flush to counter
- Easy clean tinted glass cover
- Available in black and stainless steel

- Piezo technology ensures consistent ignition
- Enamel top tray treatment protects the surface from burnt or spills



## FGH3Z25 | RANGE COOKTOP WITH WIRED GRATE



### Specifications

Electrical input	12V DC
Gas input	Propane
Left Cooktop Burner	6500 BTU
Front Cooktop Burner	8000 BTU
Right Cooktop Burner	6500 BTU
Pulse Ignition	✓
LED Manual Knob	✓
Gas Safety Cut-off Valve	✓
Glass Cover	2-piece hinged cover
Product Compatibility	Solo, or with range hood/ dish drawer

### Product Packaging Information

Packaging Type	Brown Box
Quantity Per Box (pcs)	1
Individual Packaging Dimensions (W x H x D)	26 5/8" x 7 5/16" x 25 1/8" (675 x 185 x 645mm)
Individual Packaging Gross Weight (kg/lbs)	11.6/25.6
Individual Packaging Net Weight (kg/lbs)	9.6/21.2

### Container Load Information

40' Container Load (pcs)	695
--------------------------	-----

### Dimensions

Product Size (W x H x D)	21 7/16" x 4 3/16" x 21 1/8" (544.8 x 106.4 x 536.2 mm)
--------------------------	--