

FURRION

1.6 cu.ft SOLO MICROWAVE OVEN

FMSMA16

FMSMA16- BL



FMSMA16- SS



1000W

POWER



CAPACITY



DEFROST
BY WEIGHT



QUICK DEFROST



10 POWER LEVELS



7 COOK FUNCTIONS



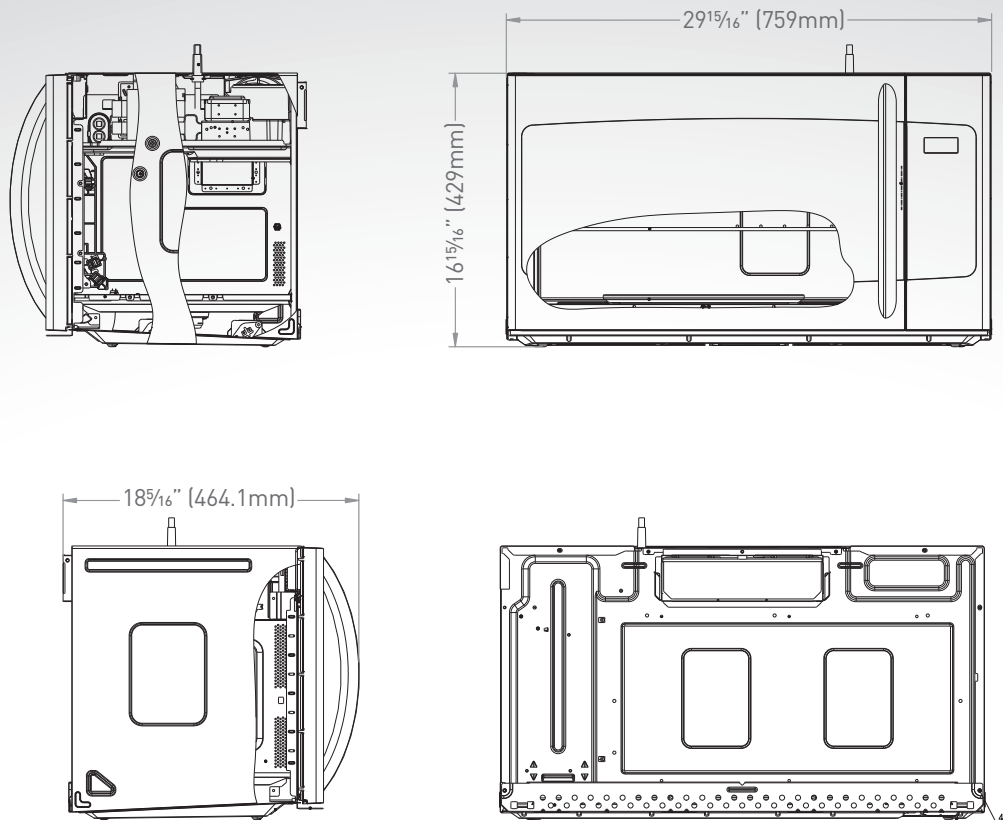
TURNTABLE

- Available in either black or stainless steel
- Seven auto cook options: Pizza, potato, meat, reheat, popcorn, beverage, veggies

- Three convenient defrost options: 1LB auto defrost, defrost by time, defrost by weight



FMSMA16 | 1.6 cu.ft SOLO MICROWAVE OVEN



Specifications

| | |
|---------------|-----------|
| Oven Capacity | 1.6cu.ft. |
| Power | 1000W |
| Power Levels | 10 |

Special Features

| | |
|----------------------------|---|
| Express Cook (1-6 minutes) | ✓ |
| 300 CMF Ventilation System | ✓ |
| ECO Mode | ✓ |
| Quick Start | ✓ |
| Kitchen Timer | ✓ |
| Turntable | ✓ |
| Handle Door | ✓ |

Packaging Information

| | |
|---|---|
| Packaging Type | Brown Box |
| Quantity (pcs) | 1 |
| Individual Packaging Dimensions (W x H x D) | 33½" x 20½" x 19½" (850 x 520 x 495mm) |
| Individual Packaging Gross Weight (kg/lbs) | 29/64 |
| Individual Packaging Net Weight (kg/lbs) | 25/55.2 |

Container Load Information

| | |
|----------------------------|-----|
| 20' Container Load (pcs) | 116 |
| 40' Container Load (pcs) | 240 |
| 40'HQ Container Load (pcs) | 329 |