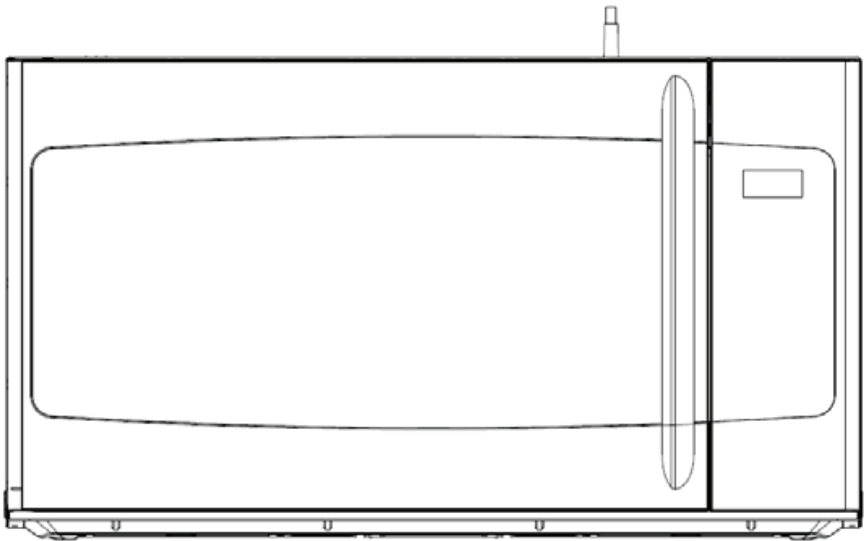


FURRION

# Microwave Oven

*Instruction Manual*

Model: FMSMA16-SS  
FMSMA16-BL



# Welcome

Thank you for purchasing this Furrion® Microwave Oven. Before placing your new appliance into operation, please read these operating instructions carefully. They contain important information for safe use, installation and maintenance of the appliance.

Please keep this instruction manual in a safe place for future reference. Pass it onto possible new owners of the appliance.

The manufacturer does not accept responsibility for any damages that may arise due to non-observation of these instructions.

If you have any further questions regarding our products, please contact us at **[support@furrion.com](mailto:support@furrion.com)**

# Contents

<b>Welcome</b> .....	<b>1</b>
<b>Contents</b> .....	<b>2</b>
<b>Important Safety Instructions</b> .....	<b>3</b>
Safety Precautions .....	3
Grounding Instructions .....	5
Radio Interference.....	6
<b>Product Features</b> .....	<b>7</b>
<b>Function Overview</b> .....	<b>8</b>
Control Panel .....	8
<b>Before Using</b> .....	<b>9</b>
What's in Box.....	9
Unpacking Instructions.....	9
About Your Microwave Oven.....	9
About Food .....	10
About Microwave Cooking .....	10
About Safety .....	11
About Utensils and Coverings.....	11
About Children and The Microwave .....	12
<b>Operation</b> .....	<b>13</b>
<b>Special Feature</b> .....	<b>15</b>
Auto cook.....	15
Kids meals.....	15
<b>Other Convenient Features</b> .....	<b>17</b>
<b>Maintenance</b> .....	<b>18</b>
<b>Specification</b> .....	<b>20</b>
<b>Troubleshooting</b> .....	<b>21</b>
<b>Warranty</b> .....	<b>22</b>

# Important Safety Instructions

## Safety Precautions

---

When using electrical appliances, basic safety precautions should be followed, including the following:

**WARNING:** To reduce the risk of burns, electric shock, fire, injury to persons or exposure to excessive microwave energy:

1. Read all instructions before using the appliance.
2. Read and follow the specific **“Precautions To Avoid Possible Exposure To Excessive Microwave Energy”** on page 6.
3. To reduce the risk of fire in the oven cavity:
  - Do not overcook food. Carefully attend the appliance when paper, plastic, or other combustible materials are placed inside the oven to facilitate cooking.
  - Remove wire twist-ties and metal handles from paper or plastic containers/bags before placing them in the oven.
  - If materials inside the oven ignite, keep the oven door closed. Turn the oven off, and unplug the appliance. Disconnect the power cord, shut off power at the fuse or circuit breaker panel.
  - Do not use the oven cavity for storage purposes. Do not leave paper products, cooking utensils, or food in the cavity when not in use.
4. This appliance must be grounded. Connect only to properly grounded outlet. See **“GROUNDING INSTRUCTIONS”** found on page 5.
5. Install or locate this oven only in accordance with the installation instructions provided.
6. Some products such as whole eggs and sealed containers-for example, closed glass jars-are able to explode and should not be heated in this oven.
7. Use this appliance only for its intended use as described in this manual. Do not use corrosive chemicals or vapors in this appliance. This type of oven is specifically designed to heat, cook, or dry food. It is not designed for industrial or laboratory use.
8. As with any appliance, close supervision is necessary when used by children.
9. Do not operate this appliance if it has a damaged cord or a plug, if it is not working properly or if it has been damaged or dropped.
10. Liquids, such as water, coffee, or tea are able to be overheated beyond the boiling point without appearing to be boiling. Visible bubbling or boiling when the container is removed from the microwave oven is not always present. **THIS COULD RESULT IN VERY HOT LIQUIDS SUDDENLY BOILING OVER WHEN THE CONTAINER IS DISTURBED OR A SPOON OR OTHER UTENSIL IS INSERTED INTO THE LIQUID.**
  - Do not overheat the liquid.
  - Stir the liquid both before and halfway through heating it.
  - Do not use straight-sided containers with narrow necks.
  - After heating, allow the container to stand in the microwave oven for a short time before removing the container.
  - Use extreme care when inserting a spoon or other utensil into the container.
11. Do not heat oil or fat for deep-frying. It is difficult to control the temperature of oil in microwave oven.
12. Pierce foods with heavy skins such as potatoes, whole squash, apples and chestnuts before cooking.
13. The contents of feeding bottles and baby jars should be stirred or shaken and the temperature should be checked before serving in order to avoid burns.

# Important Safety Instructions

14. Cooking utensils may become hot because of heat transferred from the heated food. Potholders may be needed to handle the utensil.
15. Do not cover or block any openings on the oven.
16. Do not store or use this appliance outdoors.
17. Do not use this oven near water, for example, near a kitchen sink, in a wet basement, near a swimming pool, or similar locations.
18. Do not immerse cord or plug in water. Keep cord away from heated surface. Do not let cord hang over edge of table or counter.
19. This appliance should be serviced only by qualified service technicians. Contact the nearest authorized service facility for examination, repair or adjustment.
20. Use only thermometers, which are specifically designed for use in microwave ovens.
21. When cleaning surfaces of door and oven that comes together on closing the door, use only mild, nonabrasive soaps or detergents applied with a sponge or soft cloth.
22. Ventilating Hoods
  - Clean Ventilating Hoods Frequently-Grease should not be allowed to accumulate on hood or filter.
  - When flaming foods under the hood, turn the fan on.
23. Use care when cleaning the vent-hood filter. Corrosive cleaning agents, such as lye-based oven cleaners, may damage the filter.
24. This equipment generates, uses and can radiate radio frequency energy and, if not installed and used in accordance with the instructions, may cause harmful interference to radio communications. However, there is no guarantee that interference will not occur in a particular installation. If this equipment does cause harmful interference to radio or television reception, which can be determined by turning the equipment off and on, the user is encouraged to try to correct the interference by one or more of the following measures:
  - Reorient or relocate the receiving antenna.
  - Increase the separation between the equipment and receiver.
  - Connect the equipment into an outlet on a circuit different from that to which the receiver is connected.
  - Consult the dealer or an experienced radio/TV technician for help.
25. Do not immerse cord or plug in water.
26. Keep cord away from heated surfaces.
27. Do not let cord hang over edge of table or counter.
28. Do not Operate any heating or cooking appliance beneath the appliance.
29. Do not mount unit over or near any portion of heating or cooking appliance.
30. Do not mount over sink.
31. Do not store anything directly on top of the appliance surface when the appliance is in operation.
32. Suitable for use above both gas and electric cooking equipment.
33. As with most cooking appliances, close supervision is necessary to reduce the risk of a fire in the oven cavity.
34. Be certain the glass tray and roller rings are in place when you operate the oven.
35. The important safety instructions for an over-the-cook top microwave oven which is intended for use above more than one manufacturer's model range or ranges shall indicate the maximum width of the range for which it is intended to be used. If the over-the-cooktop microwave oven is intended to be used only above electric ranges the following words or the equivalent, shall be included: To reduce the risk of fire and electric shock, install only above electric cooking equipment.

# Important Safety Instructions

If the over-the-cooktop microwave oven is intended to be used with either a gas or electric range, the following words or the equivalent shall be included: Suitable for use above both gas and electric cooking equipment.

## Grounding Instructions

---

This appliance must be grounded. In the event of an electrical short circuit, grounding reduces risk of electric shock by providing an escape wire for the electric current.

**WARNING:** Improper use of the grounding can result in a risk of electric shock.

Consult a qualified electrician or serviceman if the grounding instructions are not completely understood, or if doubt exists as to whether the appliance is properly grounded. If it is necessary to use an extension cord, use only a 3-wire extension cord that has a 3-blade grounded plug, and 3-slot receptacle that will accept the plug on the appliance. The marked rating of the extension cord shall be equal to or greater than the electrical of the appliance.

**DANGER:** Electric Shock Hazard

Touching some of the internal components can cause serious personal injury or death.

Do not disassemble this appliance.

**WARNING:** Electric Shock Hazard

Improper use of the grounding can result in electric shock. Do not plug into an outlet until appliance is properly installed and grounded.

## Power Supply Cord

1. A short power supply cord is provided to reduce the risks resulting from becoming entangled in or tripping over a longer cord.
2. Longer cord sets or extension cords are available and may be used if care is exercised in their use.
3. If a long cord or extension cord is used:
  - 1) The marked electrical rating of the cord set or extension cord should be at least as great as the electrical rating of the appliance.
  - 2) The extension cord must be a grounding-type 3-wire cord.
  - 3) The longer cord should be arranged so that it will not drape over the counter top or tabletop where it can be pulled on by children or tripped over unintentionally.

### NOTE:

1. If you have any questions about the grounding or electrical instructions, consult a qualified electrician or service person.
2. Neither Furrion nor the dealer can accept any liability for damage to the oven or personal injury resulting from failure to observe the electrical connection procedures.

# Important Safety Instructions

## Radio Interference

---

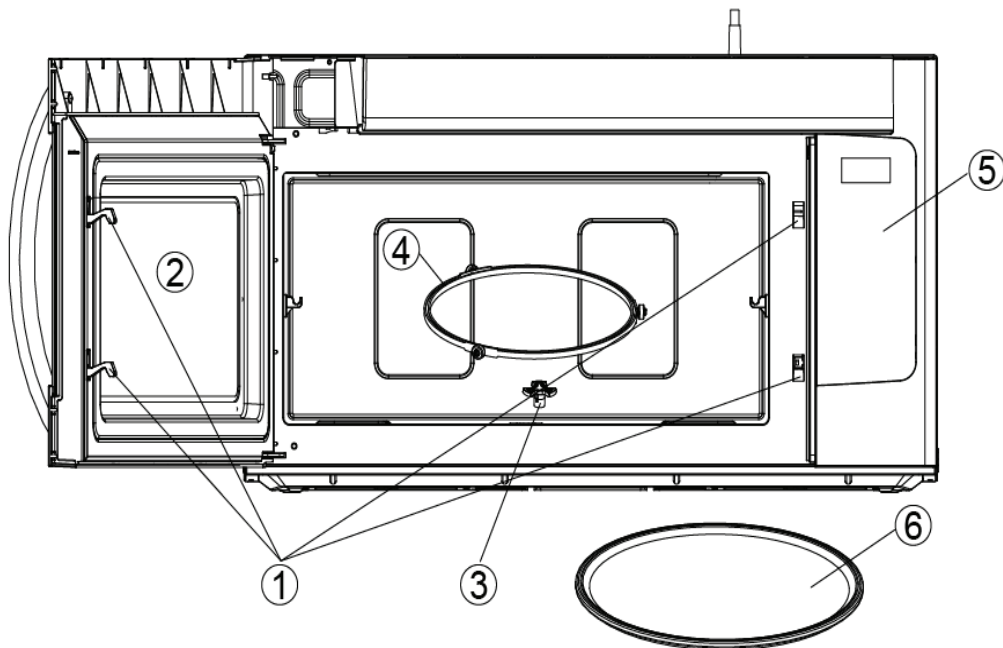
1. Operation of the microwave oven may cause interference to your radio, TV or similar equipment.
2. When there is interference, it may be reduced or eliminated by taking the following measures:
  - 1) Clean door and sealing surface of the oven
  - 2) Reorient the receiving antenna of radio or television.
  - 3) Relocate the microwave oven with respect to the receiver.
  - 4) Move the microwave oven away from the receiver.
  - 5) Plug the microwave oven into a different outlet so that microwave oven is on different branch circuits.

## Precautions To Avoid Possible Exposure To Excessive Microwave Energy

- Do not attempt to operate this oven with the door open since this can result in harmful exposure to microwave energy. It is important not to defeat or tamper with the safety interlocks.
- Do not place any object between the oven front face and the door or allow dirt or cleaner residue to accumulate on sealing surfaces.
- **Do not operate the oven if it is damaged. It is particularly important that the oven door closes properly and that there is no damage to the:**
  - (1) DOOR (bent)
  - (2) HINGES AND LATCHES (broken or loosened)
  - (3) DOOR SEALS AND SEALING SURFACE
- The oven should not be adjusted or repaired by anyone except properly qualified service personnel.

**Save these instructions for future reference**

# Product Features



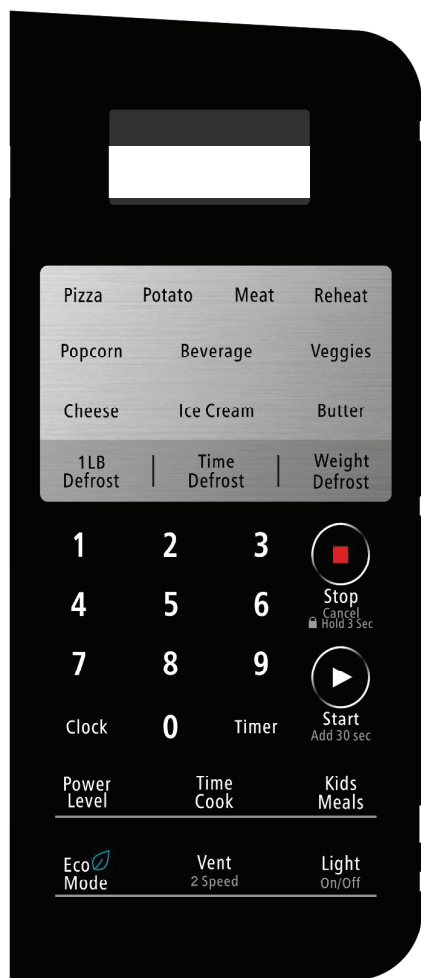
Item	Description
①	Door Safety Lock System
②	Oven Window
③	Shaft

Item	Description
④	Roller Ring
⑤	Control Panel
⑥	Glass Tray



# Function Overview

## Control Panel



Part Name	Function
<b>WEIGHT DEFROST/1LB DEFROST/ TIME DEFROST</b>	Use to set defrost program.
<b>1 LB Defrost</b>	Touch this button to defrost frozen food quickly.
<b>KIDS MEALS</b>	Use to set kids meals cook program.
<b>CLOCK</b>	Use to set the time of day.
<b>AUTO MENU</b>	Use to set auto cook program.
<b>NUMBER PAD</b>	Use to enter cook time or weight.
<b>POWER LEVEL</b>	Use to set cooking power level.
<b>TIME COOK</b>	Use to set in microwave cooking or multi-stage cooking.
<b>TIMER</b>	Use to set the timer.
<b>CLOCK</b>	Use to set the oven clock.
<b>LIGHT ON/OFF</b>	Press to set the controls of the light outside the oven (light, off mode).
<b>VENT 2 SPEED</b>	Fan motor control key.
<b>ECO mode</b>	Use to set save power mode.
<b>STOP/ CANCEL</b>	Touch to stop the oven or reset the oven before setting a program. It is also use to set child lock.
<b>START/ADD 30 SEC</b>	Touch to start the oven; also use to start the oven quickly at full power.

Part Name	Function
<b>DISPLAY</b>	Cooking time,lock indicator, timer, defrost sign and help information are displayed.

# Before Using

## What's in Box

Make sure you have the following listed items included in the packaging. If any item is damaged or missing, contact your dealer.

- Microwave Oven Body
- Air Baffle
- Glass Tray
- Filters x 2
- Roller Ring
- Installation Screws
- Instruction Manual
- Installation Manual
- Rear Wall Template
- Top Cabinet Template
- Warranty Card

## Unpacking Instructions

Unpacking and Examining Your Oven  
Carefully remove oven from carton.

**SAVE THE CARTON AS IT MAY MAKE INSTALLATION EASIER.**

Remove:

1. All packing materials from inside the oven cavity; however, **DO NOT REMOVE THE WAVEGUIDE COVER**, which is located on the ceiling in the oven cavity. Check to see that there are Installation Instructions, Wall Template, Top Cabinet Template, bag of Installation Hardware, Charcoal Filter and Exhaust Damper Assembly. Read enclosures and SAVE the Owner's Instructions.
2. The feature sticker from the outside of the door.

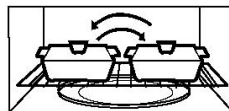
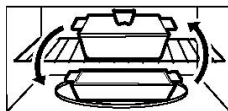
Check the oven for any damage, such as misaligned or bent door, damaged door seals and sealing surfaces, broken or loose door hinges and latches and dents inside the cavity or on the door. If there is any damage, do not operate the oven and contact your dealer.

See Installation Instruction for more details.

## About Your Microwave Oven

**NEVER** use the oven without the turntable and support nor turn the turntable over so that a large dish could be placed in the oven. The turntable will turn both clockwise and anticlockwise.

The shelf gives you the option to reheat more than one dish of food at the same time. To reheat on 2 levels:



- Switch places after ½ the time.
- Make sure the shelf is positioned properly inside the microwave to prevent damage to the oven from arcing.
- Do not use a microwave browning dish on the shelf. The shelf could overheat.
- Do not use the oven with the shelf on the microwave floor. This could damage the microwave.
- Use pot holders when handling the shelf—it may be hot.
- Do not use the shelf when cooking popcorn.

**ALWAYS** have food in the oven when it is on to absorb the microwave energy.

When using the oven at power levels below 100%, you may hear the magnetron cycling on and off.

Condensation is a normal part of microwave cooking. Room humidity and the moisture in food will influence the amount of moisture that condenses in the oven. Generally, covered foods will not cause as much condensation as uncovered ones. Ventilation openings must not be blocked.

In using recipes or package directions, check food a minute or two before the minimum time and add time accordingly.

# Before Using

## About Food

FOOD	DO	DON'T
<b>Eggs, sausages, fruits &amp; vegetable</b>	<ul style="list-style-type: none"><li>• Puncture egg yolks before cooking to prevent "explosion".</li><li>• Pierce skins of potatoes, apples, squash, hot dogs and sausages so that steam escapes.</li></ul>	<ul style="list-style-type: none"><li>• Cook egg in shells.</li><li>• Reheat whole eggs.</li></ul>
<b>Popcorn</b>	<ul style="list-style-type: none"><li>• Use specially bagged popcorn for the microwave oven.</li><li>• Listen while popping corn for the popping to slow to 1 or 2 seconds or use special Popcorn pad.</li></ul>	<ul style="list-style-type: none"><li>• Pop popcorn in regular brown bags or glass bowls.</li><li>• Exceed maximum time on popcorn package.</li></ul>
<b>Baby food</b>	<ul style="list-style-type: none"><li>• Transfer baby food to small dish and heat carefully, stirring often. Check temperature before serving.</li><li>• Put nipples on bottles after heating and shake thoroughly. "Wrist" test before feeding.</li></ul>	<ul style="list-style-type: none"><li>• Heat disposable bottles.</li><li>• Heat bottles with nipples on.</li><li>• Heat baby food in original jars.</li></ul>
<b>General</b>	<ul style="list-style-type: none"><li>• Cut baked goods with filling after heating to release steam and avoid burns.</li><li>• Stir liquids briskly before and after heating to avoid "eruption".</li><li>• Use deep bowl, when cooking liquids or cereals, to prevent boilovers.</li></ul>	<ul style="list-style-type: none"><li>• Heat or cook in closed glass jars or airtight containers.</li><li>• Can in the microwave as harmful bacteria may not be destroyed.</li><li>• Deep fat fry.</li><li>• Dry wood, gourds, herbs or wet papers.</li></ul>

## About Microwave Cooking

- Arrange food carefully. Place thickest areas towards outside of dish.
- Watch cooking time. Cook for the shortest amount of time indicated and add more as needed. Food severely overcooked can smoke or ignite.
- Cover foods while cooking. Check recipe or cookbook for suggestions: paper towels, wax paper, microwave plastic wrap or a lid. Covers prevent spattering and help foods to cook evenly.
- Shield with small flat pieces of aluminum foil any thin areas of meat or poultry to prevent overcooking before dense, thick areas are cooked thoroughly.
- Stir foods from outside to center of dish once or twice during cooking, if possible.
- Turn foods over once during microwaving to speed cooking of such foods as chicken and hamburgers. Large items like roasts must be turned over at least once.
- Rearrange foods such as meatballs halfway through cooking both from top to bottom and from the center of the dish to the outside.
- Add standing time. Remove food from oven and stir, if possible. Cover for standing time that allows the food to finish cooking without overcooking.

# Before Using

- Check for doneness. Look for signs indicating that cooking temperatures have been reached.
- Doneness signs include:
- Food steams throughout, not just at edge.
  - Center bottom of dish is very hot to the touch.
  - Poultry thigh joints move easily.
  - Meat and poultry show no pinkness.
  - Fish is opaque and flakes easily with a fork.
- Stay near the oven while it's in use and check cooking progress frequently so that there is no chance of overcooking food.
- **NEVER** use the cavity for storing cookbooks or other items.
- Select, store and handle food carefully to preserve its high quality and minimize the spread of food borne bacteria.
- Keep waveguide cover clean. Food residue can cause arcing and/or fires.
- Use care when removing items from the oven so that utensil, your clothes or accessories do not touch the safety door latches.

## About Safety

Check foods to see that they are cooked to the following recommended temperatures.

TEMP	FOOD
160°F	...For fresh pork, ground meat, boneless white poultry, fish, seafood, egg dishes and frozen prepared food.
165°F	...For leftover, ready-to-reheat refrigerated, and deli and carry-out "fresh" food.
170°F	...White meat of poultry.
180°F	...Dark meat of poultry.

- To test for doneness, insert a meat thermometer in a thick or dense area away from fat of bone. **NEVER** leave the thermometer in the food during cooking, unless it is approved for microwave oven use.
- **ALWAYS** use potholders to prevent burns when handling utensils that are in contact with hot food. Enough heat from the food can transfer through utensils to cause skin burns.
- Avoid steam burns by directing steam away from the face and hands. Slowly lift the farthest edge of a dish's covering and carefully open popcorn and oven cooking bags away from the face.

## About Utensils and Coverings

It is not necessary to buy all new cookware. Many pieces already in your kitchen can be used successfully in your new microwave oven. Make sure the utensil does not touch the interior walls during cooking.

- Use these utensils for safe microwave cooking and reheating
- Glass ceramic
- Heat-resistant glass
- Microwave-safe plastics
- Paper plates
- Microwave-safe pottery, stoneware and porcelain
- Browning dish

**These items can be used for short time reheating of foods that have little fat or sugar in them:**

- Wood, straw, wicker

### DO NOT USE

- Metal pans and bake ware
- Dishes with metallic trim
- Non-heat-resistant glass
- Non-microwave-safe plastic
- Recycled paper bags
- Food storage bags
- Metal twist-ties

# Before Using

Should you wish to check if a dish is safe for microwaving, place the empty dish in the oven and microwave on HIGH for 30 seconds. A dish which becomes very hot should not be used.

## The following coverings are ideal:

- Paper towels are good for covering foods for reheating and absorbing fat while cooking bacon.
- Wax paper can be used for cooking and reheating.
- Plastic wrap that is specially marked for microwave use can be used for cooking and reheating. DO NOT allow plastic wrap to touch food. Vent so steam can escape.
- Lids that are microwave-safe are a good choice because heat is kept near the food to hasten cooking.
- Oven cooking bags are good for large meats or foods that need tenderizing. DO NOT use metal twist ties. Remember to slit bag so steam can escape.

## How to use aluminum foil in your microwave oven:

- Small flat pieces of aluminum foil placed smoothly on the food can be used to shield areas that are either defrosting or cooking too quickly.
- Foil should not come closer than one inch to any surface of the oven.

**ACCESSORIES** There are many microwave accessories available for purchase. Evaluate carefully before you purchase so that they meet your needs. A microwave-safe thermometer will assist you in determining correct doneness and assure you that foods have been cooked to safe temperatures.

Furrion is not responsible for any damage to the oven when accessories are used

## About Children and The Microwave

---

- Children below the age of 7 should use the microwave oven with a supervising person very near to them. Between the ages of 7 and 12, the supervising person should be in the same room.
- The children must be able to reach the oven comfortably; if not, he/she should stand on a sturdy stool.
- At no time should anyone be allowed to lean or swing on the oven door.
- Children should be taught all safety precautions; use potholders, remove coverings carefully and pay special attention to packages that crisp food because they may be extra hot.
- Don't assume that because a child has mastered one cooking skill he/she can cook everything.
- Children need to learn that the microwave oven is not a toy.

# Operation

- When the oven first plugged in, the display will show “12:00” and “:” flashing.
- When cooking setting is interrupted for 1 minute, the system will back to the standby mode automatically.
- During cooking, if press **STOP/CANCEL** pad **once** or **open** the door, the program will be paused, then press **START/ADD 30 SEC** pad to resume, but if press **STOP/CANCEL** pad twice, the program will be canceled.
- After ending cooking, the system will sound beeps and “**END**” will display to remind user every two minutes until user press **STOP/CANCEL** pad or open the door.
- Before operating your new microwave oven, please read and understand this operation manual completely.
- **SIGNALS DURING OVEN SETTINGS**  
**ONE SIGNAL:** Oven accepts the entry.  
**TWO SIGNALS:** Oven does not accept the entry, please check and try again.

## To set the clock

This is a **24** or **12** hour clock, and you can select it by pressing **CLOCK** pad.

Suppose you want to enter **8:08**

In standby mode, touch **CLOCK** pad once, “**Hr 12**” will display, touch **CLOCK** pad again “**Hr 24**” will display.

1. Press **number pads 8, 0,** and **8,”08:08”** will display in the screen.

2. Touch **START/ADD 30 SEC** to confirm

**Note:** During cooking, you can press **CLOCK** pad to check the clock.

“**00:00**” will display and two beeps will sound to remind user to resume load the time, if you enter time is beyond the scope of clock when you set the clock.

## Microwave cooking

For microwave cooking, press **TIME COOK** pad and then press number pas to enter cooking time, after that, press **POWER LEVEL**

pad and then use number pads to select power level you desired. There are **11 power levels** for you to choose. The longest cooking time is **99 minutes** and **99 seconds**.

Press number pad to select power **level**:

Number Pad	Cooking Power
1,0	100% [PL10]
9	90% [PL-9]
8	80% [PL-8]
7	70% [PL-7]
6	60% [PL-6]
5	50% [PL-5]
4	40% [PL-4]
3	30% [PL-3]
2	20% [PL-2]
1	10% [PL-1]
0	0% [PL-0]

1. In waiting mode, press **TIME COOK** pad once.
2. Use the number pads to enter cooking time.
3. Touch **POWER LEVEL** pad once, and then use the number pad to select cooking power level.
4. Touch **START/ADD 30 SEC** pad to confirm.

**Note:** You can check the power level during cooking by pressing **POWER LEVEL** and change the power level by pressing number pad within this time.

## Light control

This feature is designed to control the light while you need. Press **Light** pad once, turn on the light at the bottom of oven, press again, turn off the light.

# Operation

## Vent fan control

Your oven can be used as a range hood. When it is turned on, the fan motor starts filtering out smoke, odors or grease generated from cooking.

In standby mode, the vent fan is manually controlled by pressing "**Vent/2 SPEED**" to choose the fan speed at your expectation, three fan speed levels you are available to choose:

Button	Working mode	Display
Once	Low Wind	Vent. L
Twice	High Wind	Vent. H
3 times	Turn off	Put Out

When cooking is started, the Vent fan automatically works into a work at Low fan speed, and "Vent.L" will display. During cooking, you can choose low fan speed or high fan speed.

## Program cooking

Your oven can be programmed up to 2 automatic cooking stages

Suppose you want to set the following cooking program.

1. In waiting mode, input the first microwave cooking. Do not touch START/ADD 30 SEC pad
2. Press TIME COOK pad once, and then input the second microwave cooking.
3. Touch START/ADD 30 SEC pad to start.

## Stop/cancel

Touch the STOP/CANCEL pad to:

1. Clear previous setting Press TIME COOK pad once, and then input the second microwave cooking.
2. Cancel Timer
3. Stop the oven temporarily during cooking.
4. Set **CHILD LOCK**

5. Cancel a program during cooking, touch twice.

# Special Feature

## Auto cook

For foods shown in the following chart, it is not necessary to program the time or the cooking power. It indicate the type of food and the weight you want to cook.

### Butter, Cheese or Ice cream

1. Press the food icon pad desired (Butter, Cheese or Ice cream) once.
2. Use number pad 1 or 2 (According to the amount in the table below) select the amount.
3. Touch START/ADD 30 SEC pad.

Food	Amount	Number pad	Total time
Butter	1(4oz)	1	1:00
	2(8oz)	2	1:30
Cheese	4oz	1	1:00
	8oz	2	1:30
Ice cream	1	1	0:30
	2	2	0:45

### Pizza, Potato, Meat, Reheat, Beverage and Veggies

1. Press the food icon pad desired (Pizza, Potato, Meat, Reheat and Veggies)
2. Use number pad (0 - 9) to enter food weight.
3. Touch START/ADD 30 SEC pad to start cooking.

Food	Weight
Pizza	10oz~28oz
Potato	1oz~48oz
Meat	1oz~32oz
Reheat	1oz~37oz
Veggies	1oz~48oz

### Popcorn

Press the **POPCORN** pad, "2:05" and "START" will display. Touch **START/ADD 30 SEC** pad to start cooking.

### Beverage

1. Press the food icon pad desired Use number pad (1 - 6) to select food amount.
2. Touch **START/ADD 30 SEC** pad to start cooking.

## Kids meals

### For hot dogs and frozen sandwiches:

1. Press the **KIDS MEALS** pad once, "1" and "START" will display.
2. Press number pad (2 for hot dogs, 4 for frozen sandwiches) to choose the food.
3. Press **START/ADD 30 SEC** pad to start cooking

Food	Amount	Number pad	Total time
Butter	1(4oz)	1	1:00
	2(8oz)	2	1:30
Cheese	4oz	1	1:00
	8oz	2	1:30
Ice cream	1	1	0:30
	2	2	0:45

### For chicken nuggets and fresh fries:

1. Press the **KIDS MEALS** pad once.
2. Press number pad (1 for chicken nuggets, 3 for fresh fries) to choose the food and then press **START**.
3. Press number pad (1 for 4oz, 2 for 8 oz ) to choose the food weight
4. **START/ADD 30 SEC** pad to start cooking



# Special Feature

## COOKING CHART

Butter	chicken nuggets	4oz
		8oz
Cheese	hot dogs	1
Ice cream	fresh fries	4oz
		8oz
	frozen sandwiches	1

## 1LB DEFROST

In standby, press 1Lb Defrost pad once, the system start defrosting automatically. For DEFROST program, during cooking, the oven will pause and beep to remind you to open the door and check its doneness and turn food over to obtain better cooking effect and then touch START/ADD 30 SEC pad to resume remaining time.

## WEIGHT DEFROST

Press **WEIGHT DEFROST**, the display shows "0" and "DEF.", then enter number to select weight(defrost range[1~96oz]).

Suppose you want to defrost ground meat (25OZ.).

1. Touch **WEIGHT DEFROST** pad once,
2. Enter weight by touching the number pad.
3. Touch **START/ADD 30 SEC** pad.

**NOTE:** The oven stops during defrosting to let the user to turn food over for uniform defrosting and then press **START/ADD 30 SEC** to defrost for the remaining time.

## TIME DEFROST

If the food weight is exceed the maximum weight recommended, you need to defrost manually.

You can defrost any frozen food, either raw or previously cooked, by using **TIME DEFROST**. Suppose you want to defrost ground meat (**12:34**). Follow the steps under **Time Cooking**.

1. Touch **TIME DEFROST** pad once, "00:00" and "DEF." will display.
2. Enter time by touching the number pad 1,2,3,4.(Longest time is 99:99)
3. Touch **START/ADD 30 SEC** pad.

**NOTE:** The oven stops during defrosting to let the user to turn food over for uniform defrosting and then press **START/ADD 30 SEC** to defrost for the remaining time.

Always stop the oven periodically to remove or separate the portions that are defrosted. Please remember to place the food on a microwave-safe dish not in a plastic container.

# Other Convenient Features

## Add 30 sec

In standby mode, simply touch the **START/ADD 30 SEC** pad once and the oven will start cooking immediately at 100% power level and press **START/ADD 30 SEC** pad repeatedly to add cook time. You can also extend cooking time(except auto cook defrost) by touching the **START/ADD 30 SEC** pad during manual cooking to add 30 seconds each; the longest cooking time is 99 minutes 99 seconds. The oven starts working at full power level immediately.

## Kitchen timer

You could set the oven timer to remind you the cooking time. The longest time you can set up to 99 minutes 99 seconds. Suppose, you want to set the kitchen timer for 30 minutes:

1. In standby mode, touch **TIMER** pad once, "00:00" and "TIMER" will display.
2. Use the number pads to enter time.
3. Touch **START/ADD 30 SEC** pad.

**NOTE:** When it reaches the end of the set time, the buzzer will beep to remind you. Once you have set the **TIMER**, in either cooking or standby mode, you can check the countdown by press **TIMER** pad. You can touch **STOP/CANCEL** to cancel the timer function when the **TIMER** displays.

## Eco mode

**To set:** In standby, press **ECO MODE** pad. Oven turn to the lowest power consumption mode and screen is blank until you press any pad, the oven return to waiting mode, if there are not any operation for 1 minute, the oven will enter to power saving mode.

**To cancel:** In standby, press **ECO MODE** pad again, the oven drop out power saving mode. At this moment, oven cannot enter power save mode if there are not any operation for 1 minute, wing tips, the ends of poultry legs, and corners of square baking dishes. Use only small amounts of aluminum foil. Larger amounts can damage your oven.

## Child lock

Use to prevent unsupervised operation of the oven from little children. The Child Lock indicator will show up on display screen, and the oven cannot be operated while the **Child Lock** is set.

**To set the Child Lock:** Press and hold **STOP/CANCEL** for **3 seconds**, a beep sounds and lock indicator lights.

**To cancel the Child Lock:** Press and hold **STOP/CANCEL** for **3 seconds** until lock indicator on display goes off.

# Maintenance

## Exterior:

The outside surface is precoated steel and plastic. Clean the outside with mild soap and water; rinse and dry with a soft cloth. Do not use any type of household or abrasive cleaner.

## Door:

Wipe the window on both sides with a damp cloth to remove any spills or splatters. Metal parts will be easier to maintain if wiped frequently with a damp cloth. Avoid the use of spray and other harsh cleaners as they may stain.

## Touch Control Panel:

Care should be taken in cleaning the touch control panel. If the control panel becomes soiled, open the oven door before cleaning. Wipe the panel with a cloth dampened slightly with water only. Dry with a soft cloth. Do not scrub or use any sort of chemical cleaners. Close door and touch **STOP/CANCEL** streak or dull the door surface.

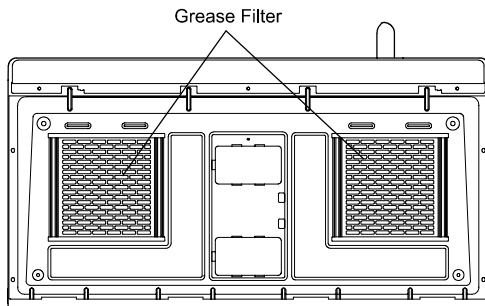
## Interior:

Cleaning is easy because little heat is generated to the interior surfaces; therefore, there is no baking and setting of spills or spattering. To clean the interior surfaces, wipe with a soft cloth and warm water. **DO NOT USE ABRASIVE OR HARSH CLEANERS OR SCOURING PADS.** For heavier soil, use baking soda or a mild soap; rinse thoroughly with hot water.

## Waveguide Cover:

The waveguide cover is located on the ceiling in the oven cavity. It is made from mica so requires special care. Keep the waveguide cover clean to assure good oven performance. Carefully wipe with a damp cloth any food splatters from the surface of the cover immediately after they occur. Built-

up splashes may overheat and cause smoke or possibly catch fire. **DO NOT REMOVE THE WAVEGUIDE COVER.**



## Hood Fan:

When cooking is started, the suction fan automatically work into a **low fan speed**. During cooking in a session, you can choose **low fan speed** or **high fan speed**. It cannot be turned off manually during this time.

## Wipe the inside

Dampen a paper towel, microfiber cloth, or similar material. Use this to scrub the inside of your microwave, as well as the inside of the door. Repeat as necessary if you need more than one towel or cloth.

## Turntable/Turntable Support:

The turntable and turntable support can be removed for easy cleaning. Wash them in mild, sudsy water; for stubborn stains use a mild cleanser and non-abrasive scouring sponge as described above. They are also dishwasher-proof. Use upper rack of dishwasher. The turntable motor shaft is not sealed, so excess water or spills should be wiped up immediately.

## Grease Filters:

Filters should be cleaned at least once a month. Never operate the fan or oven without the filters in place.

- Pull down slightly on the tab toward the front of the oven and remove the filter.

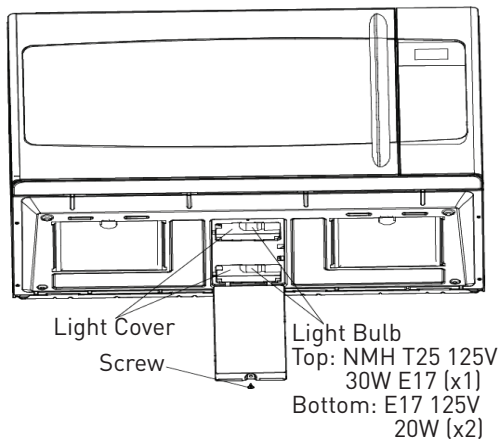
# Maintenance

Repeat for the other filter.

- Soak the filter in a sink or dish pan filled with hot water and detergent. DO NOT use ammonia or other alkali; they will react with the filter material and darken it.
- Agitate and scrub with a brush to remove embedded dirt.
- Rinse thoroughly and shake dry.
- Replace by fitting the filter back into the opening.

## Light:

- To replace light bulbs, first disconnect power to the oven at the circuit breaker panel or by unplugging.
- To release cover, remove the screw on the light cover. (See illustration.)
- Do not use a bulb larger than 30 watts.
- Close light cover and secure with screw removed in step 2. CAUTION: Light cover may become very hot. Do not touch glass when light is on.

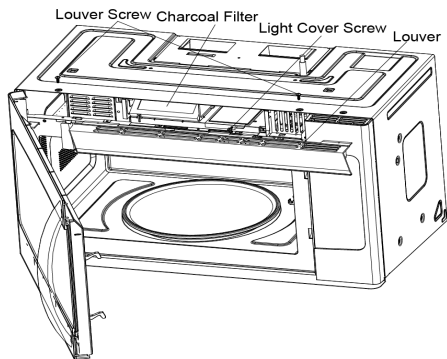


## Charcoal Filter:

Charcoal filter is used for nonvented, recirculated installation. The filter should be changed every 6 to 12 months depending on use.

- Disconnect power to the oven at the circuit breaker panel or by unplugging.

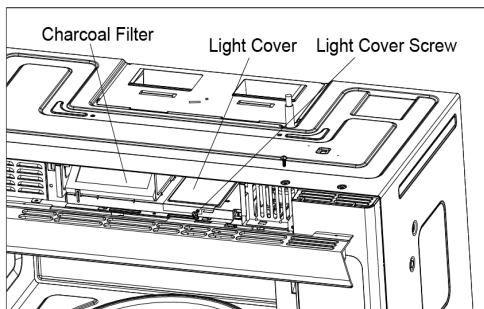
- Remove the louver mounting screw from the top center of the louver and push down carefully on the tab at each end of the louver to disengage it. (See illustration.)
- Pull the louver away from the unit.
- Change the charcoal filter.
- Carefully push the louver back into place and replace the screw remove in step 2.



## Oven Light:

Remove the louver per instructions 1-3 above and charcoal filter, if used.

- Open light cover located behind filter mounting by carefully pulling up on the front edge.
- Do not use a bulb larger than 30 watts.
- Replace the oven light cover by carefully pushing into place. Push the louver back into place and replace the louver mounting screw.



# Specification

## Specifications

<b>Power Supply</b>		120V ~60Hz
<b>Microwave</b>	<b>Power Consumption</b>	1600W
	<b>Output Power</b>	950W
	<b>Frequency</b>	2450MHz
<b>Outside Dimensions (H×W×D):</b>		16 <sup>7</sup> / <sub>8</sub> x 29 <sup>7</sup> / <sub>8</sub> x 18 <sup>3</sup> / <sub>16</sub> inches
<b>Cavity Dimensions (H×W×D):</b>		10 <sup>3</sup> / <sub>16</sub> x 29 <sup>5</sup> / <sub>16</sub> x 18 <sup>10</sup> / <sub>16</sub> inches
<b>Oven Capacity</b>		1.6 cu. ft.
<b>Cooking Uniformity</b>		Turntable / Stirrer Fan System
<b>Gross Weight (kg/lbs)</b>		
<b>Net Weight (kg/lbs)</b>		Approx. 55.12lbs

# ***Troubleshooting***

## **IF THE OVEN FAILS TO OPERATE:**

1. Check to ensure that the oven is plugged in securely. If it is not, remove the plug from the outlet, wait 10 seconds, and plug it in again securely.
2. Check for a blown circuit fuse or a tripped main circuit breaker. If these seem to be operating properly, test the outlet with another appliance.
3. Check to ensure that the control panel is programmed correctly and the timer is set.
4. Check to ensure that the door is securely closed engaging the door safety lock system. Otherwise, the microwave energy will not flow into the oven.

**IF NONE OF THE ABOVE RECTIFIES THE SITUATION, THEN CONTACT A QUALIFIED TECHNICIAN. DO NOT TRY TO ADJUST OR REPAIR THE OVEN YOURSELF.**

# Warranty

FURRION WARRANTS FOR A PERIOD OF 1 YEAR FROM DATE OF RETAIL PURCHASE BY THE ORIGINAL END-USE PURCHASER, THAT THIS PRODUCT, WHEN DELIVERED TO YOU IN NEW CONDITION, IN ORIGINAL PACKAGING, FROM A FURRION AUTHORIZED RESELLER AND USED IN NORMAL CONDITIONS, IS FREE FROM ANY DEFECTS IN MANUFACTURING, MATERIALS, AND WORKMANSHIP. IN CASE OF SUCH DEFECT, FURRION SHALL REPLACE OR REPAIR THE PRODUCT AT NO CHARGE TO YOU. THIS WARRANTY DOES NOT COVER: PRODUCTS WHERE THE ORIGINAL SERIAL NUMBERS HAVE BEEN REMOVED, ALTERED OR CANNOT READILY BE DETERMINED; DAMAGE OR LOSS CAUSED BY ACCIDENT, MISUSE, ABUSE, NEGLIGENCE, PRODUCT MODIFICATION, FAILURE TO FOLLOW INSTRUCTIONS IN OWNER'S MANUAL, COMMERCIAL OR INDUSTRIAL USE; DAMAGE OR LOSS CAUSED TO THE DECORATIVE SURFACE OF PRODUCT; TO ANY DATA, SOFTWARE OR INFORMATION; AND NORMAL WEAR AND TEAR. THIS WARRANTY ONLY PROTECTS THE ORIGINAL END-USER ("YOU") AND IS NOT TRANSFERRABLE; ANY ATTEMPT TO TRANSFER THIS WARRANTY SHALL MAKE IT IMMEDIATELY VOID. THIS WARRANTY IS ONLY VALID IN THE COUNTRY OF PURCHASE.

THIS WARRANTY AND REMEDIES SET FORTH ABOVE ARE EXCLUSIVE AND IN LIEU OF ALL OTHER WARRANTIES, REMEDIES AND CONDITIONS, WHETHER ORAL OR WRITTEN, EXPRESS OR IMPLIED. FURRION SPECIFICALLY DISCLAIMS ANY AND ALL IMPLIED WARRANTIES, INCLUDING, WITHOUT LIMITATION, WARRANTIES OF MERCHANTABILITY AND FITNESS FOR A PARTICULAR PURPOSE. IF FURRION CANNOT LAWFULLY DISCLAIM IMPLIED WARRANTIES UNDER THIS LIMITED WARRANTY, ALL SUCH WARRANTIES, INCLUDING WARRANTIES OF MERCHANTABILITY AND FITNESS FOR A PARTICULAR PURPOSE ARE LIMITED IN DURATION TO THE DURATION OF THIS WARRANTY.

No Furrion reseller, agent, or employee is authorized to make any modification, extension, or addition to this warranty.

FURRION IS NOT RESPONSIBLE FOR DIRECT, INDIRECT, SPECIAL, INCIDENTAL OR CONSEQUENTIAL DAMAGES RESULTING FROM ANY BREACH OF WARRANTY OR CONDITION, OR UNDER ANY OTHER LEGAL THEORY, INCLUDING BUT NOT LIMITED TO LOST PROFITS, DOWNTIME, GOODWILL, DAMAGE TO OR REPLACEMENT OF ANY EQUIPMENT OR PROPERTY, ANY COSTS OF RECOVERING, REPROGRAMMING, OR REPRODUCING ANY PROGRAM OR DATA

# Warranty

STORED IN OR USED WITH FURRIION PRODUCTS. FURRIION'S TOTAL LIABILITY IS LIMITED TO THE REPAIR OR REPLACEMENT OF THIS PRODUCT PURSUANT TO THE TERMS OF THIS WARRANTY.

SOME STATES DO NOT ALLOW THE EXCLUSION OR LIMITATION OF INCIDENTAL OR CONSEQUENTIAL DAMAGES OR EXCLUSIONS OR LIMITATIONS ON THE DURATION OF IMPLIED WARRANTIES OR CONDITIONS, SO THE ABOVE LIMITATIONS OR EXCLUSIONS MAY NOT APPLY TO YOU. THIS WARRANTY GIVES YOU SPECIFIC LEGAL RIGHTS, AND YOU MAY ALSO HAVE OTHER RIGHTS THAT VARY BY STATE OR (WHERE APPLICABLE IN THE COUNTRIES WHERE FURRIION HAS NON-US/CANADIAN AUTHORIZED DEALERS) COUNTRY. NO ACTION OR CLAIM TO ENFORCE THIS WARRANTY SHALL BE COMMENCED AFTER THE EXPIRATION OF THE WARRANTY PERIOD.

Keep your receipt, delivery slip, or other appropriate payment record to establish the warranty period. Service under this warranty must be obtained by contacting Furrion at **warranty@furrion.com**

Product features or specifications as described or illustrated are subject to change without notice.









**FURRION**

**Furrion Innovation Center & Institute of Technology**

- 52567 Independence Ct., Elkhart, IN 46514, USA ● Toll free: 1-888-354-5792
- Email: [support@furrion.com](mailto:support@furrion.com)

©2007-2018 Furrion Ltd. Furrion® and the Furrion logo are trademarks licensed for use by Furrion Ltd. and registered in the U.S. and other countries.

**FURRION.COM**

---

IM-FHA00036 V1.0