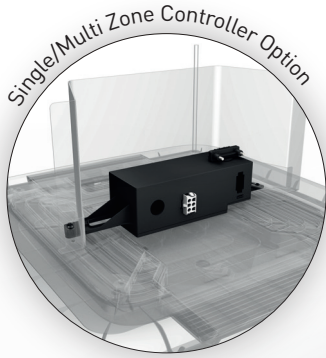
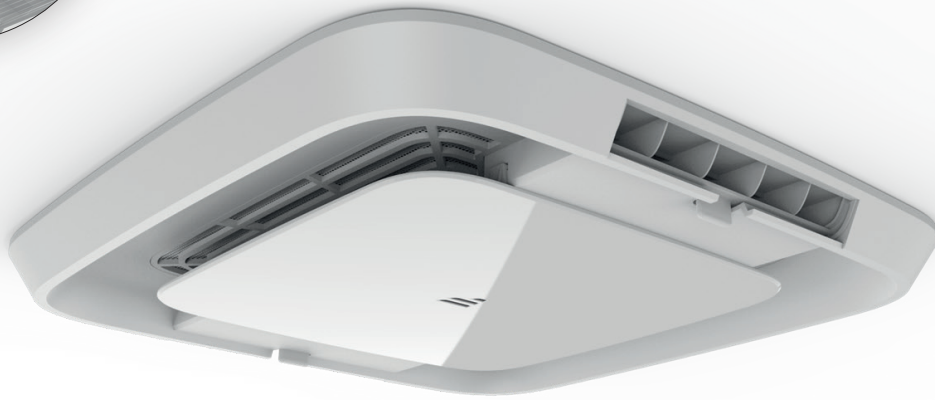


FACT12SA

Air Distribution Box with Electronic Control for Furrion Chill Air Conditioner System



FACT12SA-PS



Main Features



3 FAN SPEEDS



2 WAY AIR FLOW



SLEEP MODE



AUTO FAN OPERATION



2 PROGRAM TIMERS



DETACHABLE FILTER



AUTO RESTART



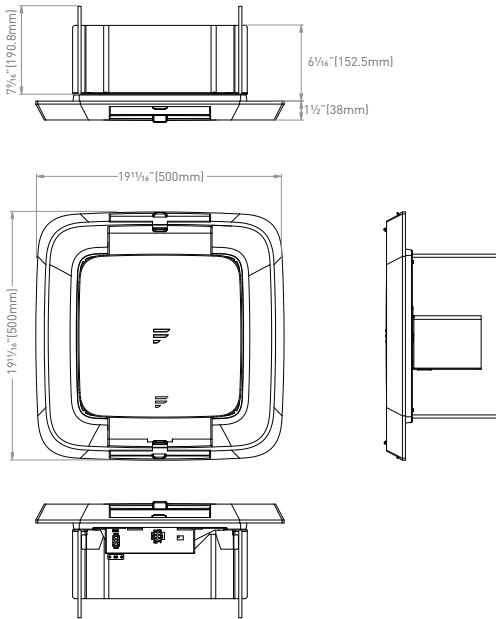
EASY INSTALLATION



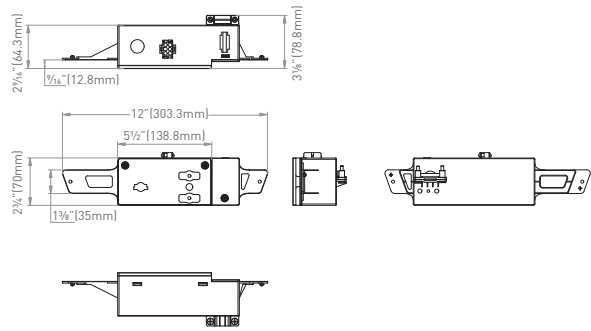
CAN BE USED FOR DUCTED / NON-DUCTED

FURRION

Air Distribution Box



Single/Multi Zone Controller



Controller options	
FACC12SA-BL	Single zone controller
FACC12ZA-BL	Multi zone controller
Wall thermostat options	
FACW12SA-BL	Single zone basic wall thermostat
FACW12PA-BL	Single zone premium wall thermostat
FACW12ZA-BL	Multi zone wall thermostat

Note: Controller and wall thermostat are sold separately

Specifications

Air Distribution Box

2 Way Air Outlet	✓
LED Lighting	✓
Detachable Filter	✓
Indoor Sound Pressure Level	60dB

Controller

Input Power	AC 115V / DC 12V
Frequency	60Hz
Compressor & Condenser Fan	AC 115V/20A
3 Evaporator Fan Motor Relay	AC 115V/5A
Temperature Range	60°F to 86°F (16°C to 30°C)

Container Load Information

Air Distribution Box

20' Container Load (pcs)	836
40' Container Load (pcs)	1,704
40'HQ Container Load (pcs)	1,955

Single/Multi Zone Controller

40'HQ Container Load (pcs)	37,240
----------------------------	--------

Dimensions & Weight

Air Distribution Box

Product Dimension (WxHxD)	19.69 x 13.62 x 19.69" (500 x 242.6 x 500mm)
Packaging Dimension (WxHxD)	20.44 x 20.5 x 5.38" (530 x 520 x 135mm)
Net Weight (lbs/kg)	6.7 / 3
Gross Weight (lbs/kg)	7.8 / 3.5

Single/Multi Zone Controller

Product Dimension (WxHxD)	12 x 3.13 x 2.75" (303.3 x 78.8 x 70mm)
Packaging Dimension (WxHxD)	25 x 12.44 x 13.44" (635 x 315 x 340mm)
Net Weight (lbs/kg)	30.9 / 14
Gross Weight (lbs/kg)	33.1 / 15

* Note: "V" = Equipped