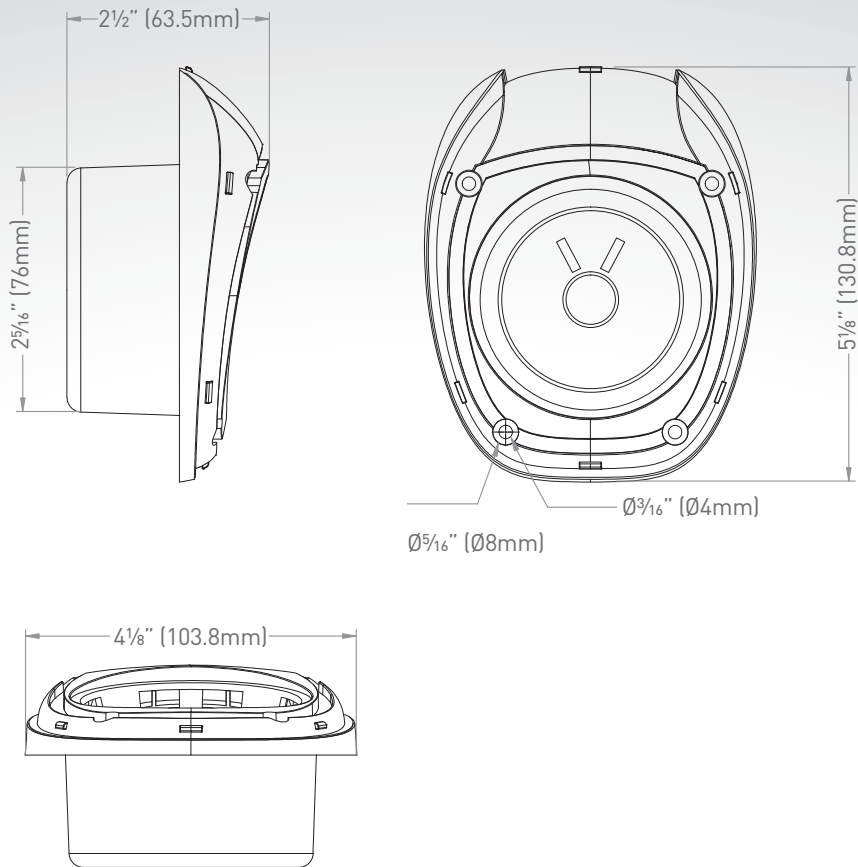




- Audio optimized for recreational vehicles
- PP reinforced cone extends frequency response and minimizes distortion; this controls rigidity and internal damping and delivers high definition audio with a pure, distinct sound



## 3" WALL MOUNT SPEAKER | FS3X



### Specifications

Voice Coil Electro Impedance	4Ω@1kHz 1V
Resonance Frequency	130±20% Hz
Output Sound Pressure Level	83dB
Characteristic Sensitivity	±3dB
Effective Frequency Band	Fo~18kHz
Harmonic Distortion	5% < 1W ≥ 130~10kHz
Power Usage	Left "+", Right "-"
Temperature Range	-20°C to 70°C / -4°F to 148°F
Max Power	15W
Product Compatibility	Furrion stereo products

### Packaging Information

Packaging Type	Brown Box
Quantity Per Box (pcs)	1
Individual Packaging Dimensions (L x H x W)	6" x 4 7/16" x 2 7/8" (152 x 112 x 72mm)
Individual Packaging Gross Weight (kg/lbs)	0.44/0.97
Individual Packaging Net Weight (kg/lbs)	0.39/0.86

### Master Carton

Packaging Type	Master Carton Box
Quantity Per Box (pcs)	24
Master Carton Dimensions (L x H x W)	19 15/16" x 12 1/4" x 15 9/16" (358 x 324 x 330mm)
Master Carton Gross Weight (kg/lbs)	10.7/23.6
Master Carton Net Weight (kg/lbs)	9.6/21.2