

# FURRION VISION S

VEHICLE OBSERVATION SYSTEM  
VISION S 4.3" SINGLE CAMERA SYSTEM  
WITH MARKER LIGHT

FOS43TASR



REAR CAMERA WITH MAKER LIGHT



4.3" MONITOR



WINDSHIELD MOUNT

## MONITOR & ACCESSORIES



DIGITAL WIRELESS



ANTI-GLARE



REAR ASSIST MARKER LINES



SECURITY CAMERA AUTO-WAKE



AUDIO



WINDSHIELD MOUNT

## REAR CAMERA WITH MAKER LIGHT



CMOS 120° VIEW ANGLE



INFRARED NIGHT VISION

720x480

CAMERA RESOLUTION



INTELLIGENT IR CUT FILTER



MOTION DETECT

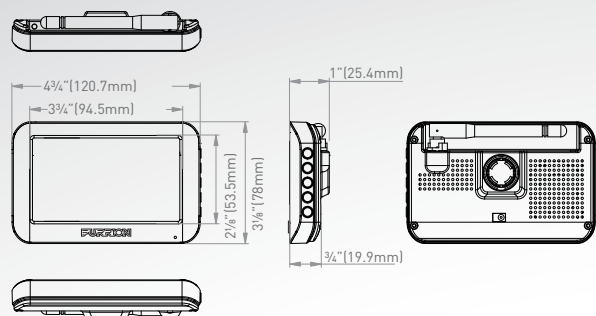


WATERPROOF

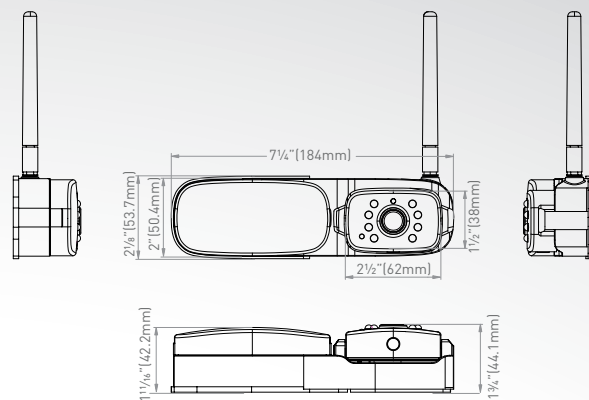


# FOS43TASR | VISION S 4.3" SINGLE CAMERA SYSTEM WITH MARKER LIGHT

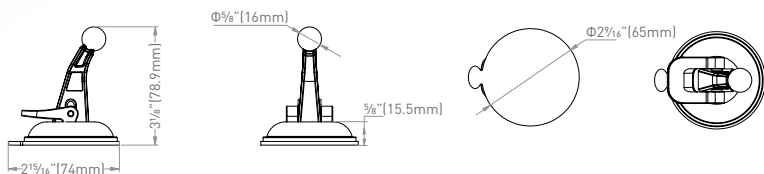
## Monitor



## Rear Camera with Marker Light



## Windshield Mount



Part Number	Product
FOS43TASR	4.3" +  +

### Specifications

#### Camera

Night Vision Distance	<5m
CMOS Size	1/3"
Optical Lens	Doorway/Rear: F2.0
IR Cut Filter	850nm Automatic
View Angle/Degree	120°
Working Current (IR ON)	<400mA@12V
Working Current (IR OFF)	<250mA@12V
Camera Pixel	720 x 480
Waterproof	IP65

#### Monitor

LCD Backlight ON	<500mA@12V
LCD Backlight OFF	<300mA@12V
LCD Size	4.3"
LCD Resolution at 1View	480 x 272
LCD Brightness	270 cd/m2
LCD Contrast	1000:1
LCD Viewing Angle	L/R75, U60, D70
LCD Aspect Ratio	16:9

#### Camera/Monitor

Supply Voltage	DC8 to 30V
Wireless Frequency	2.4GHz
Wireless Range	<492.13ft (150m) (open area)
Emitting Power	18+/-2 dBm
Transmitting Speed	6 Mbps (single)
RF Modulation	OFDM
Receiving Sensitivity	-88 +/--3dBm
Decompression Form	H.264
Delaying Time	<250ms
Channel Bandwidth	20MHz
Type Approval	FCC Part 15