

# Vehicle Observation System

## 5" Furrion Vision S™ Single Camera System



5" Monitor



Interior Table Stand



Windshield Mount



Doorway Security / Rear Camera

### Main Features

#### Monitor & Accessories



DIGITAL WIRELESS



TOUCH SCREEN



ANTI-GLARE



REAR ASSIST MARKER LINES



SECURITY CAMERA AUTO-WAKE



DISPLAY UP TO 4 CAMERAS



AUDIO



WINDSHIELD MOUNT



INTERIOR TABLE STAND



WALL MOUNT (SOLD SEPARATELY)

#### Doorway Security / Rear Camera



CMOS 120° VIEW ANGLE



INFRARED NIGHT VISION



CAMERA RESOLUTION



INTELLIGENT IR CUT FILTER



MOTION DETECT

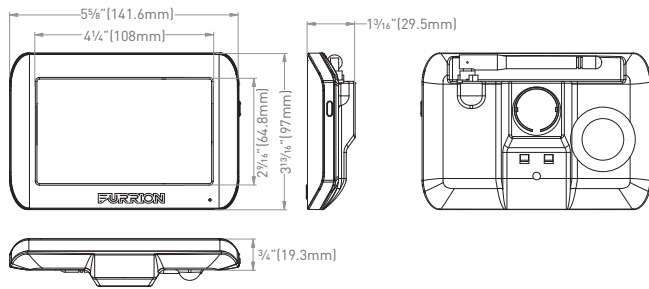


WATERPROOF

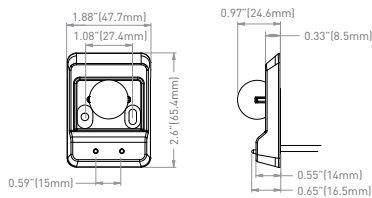


BUILT IN MICROPHONE

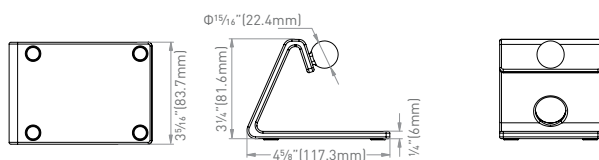
## Monitor



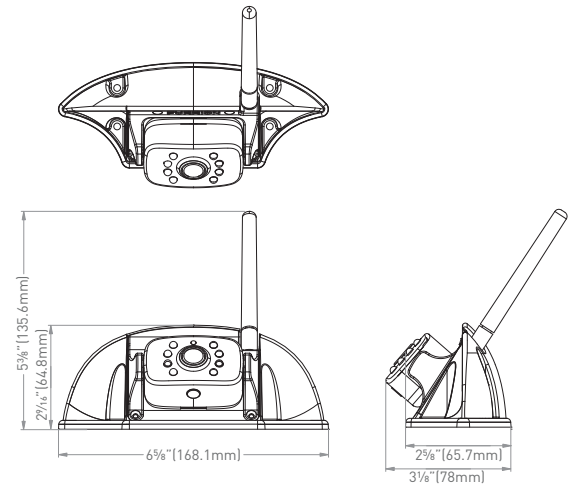
## Interior Wall Mount (Sold Separately)



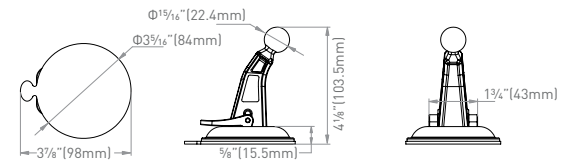
## Interior Table Stand



## Doorway Security / Rear Camera



## Windshield Mount



Part Number	Product
FOS05TASF	

## Specifications

### Camera

Night Vision Distance	<16ft (5m)
CMOS Size	1/3"
Optical Lens	F2.0
IR Cut Filter	850nm Automatic
View Angle/Degree	120°
Working Current (IR ON)	<400mA@12V
Working Current (IR OFF)	<250mA@12V
Camera Pixel	720 x 480
Waterproof	IP65

### Monitor

LCD Backlight ON	<500mA@12V
LCD Backlight OFF	<300mA@12V
LCD Size	5"
LCD Resolution at 1View	720 x 480
LCD Brightness	420 cd/m2
LCD Contrast	600:1
LCD Viewing Angle	L/R65, U50, D60
LCD Aspect Ratio	16:9
Channel Bandwidth	20MHz

### Camera/Monitor

Supply Voltage	DC8 to 30V
Wireless Frequency	2.4GHz
Wireless Range	<492.13ft (150m) (open area)
Emitting Power	18+/-2 dBm
Transmitting Speed	6 Mbps (single)
RF Modulation	OFDM
Receiving Sensitivity	-88 +/-3dBm
Decompression Form	H.264
Delaying Time	<250ms
Type Approval	FCC Part 15

### Dimensions/Weight

Individual Packaging Dimensions (W x H x D)	9.1 x 9.17 x 3.86" (230 x 233 x 98mm)
Net weight (lbs/kgs)	0.9/0.4
Gross weight (lbs/kgs)	1.3/0.6

### Master Carton

Quantity per Master Carton	10
Master Carton Dimensions (W x H x D)	18.7 x 20.08 x 9.96" (475 x 510 x 253mm)
Master Carton Gross Weight (lbs/kg)	13.2/6

FOS05TASF-V15

