

Vehicle Observation System

7" Furrion Vision S™ Single Camera System



7" Monitor



Interior Table Stand



Windshield Mount



Doorway Security / Rear Camera

Main Features

Monitor & Accessories



DIGITAL WIRELESS



TOUCH SCREEN



ANTI-GLARE



REAR ASSIST MARKER LINES



SECURITY CAMERA AUTO-WAKE



DISPLAY UP TO 4 CAMERAS



AUDIO



WINDSHIELD MOUNT



INTERIOR TABLE STAND



WALL MOUNT (SOLD SEPARATELY)

Doorway Security / Rear Camera



CMOS 120° VIEW ANGLE



INFRARED NIGHT VISION



CAMERA RESOLUTION



INTELLIGENT IR CUT FILTER



MOTION DETECT

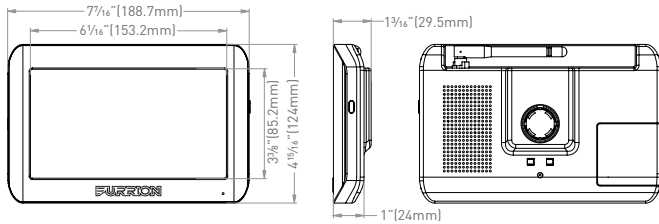


WATERPROOF

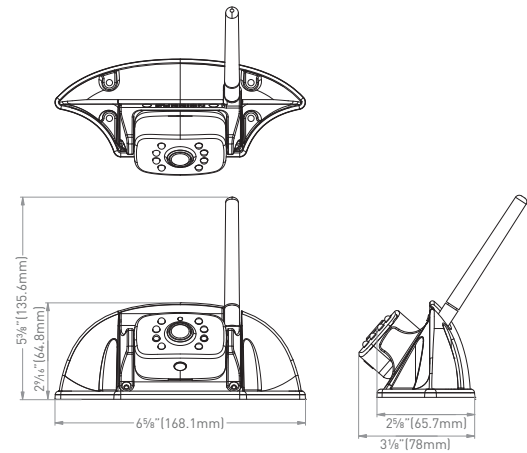


BUILT IN MICROPHONE

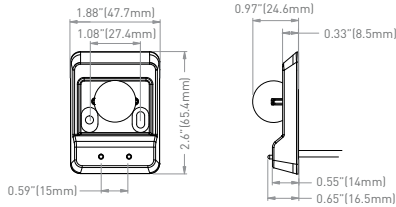
Monitor



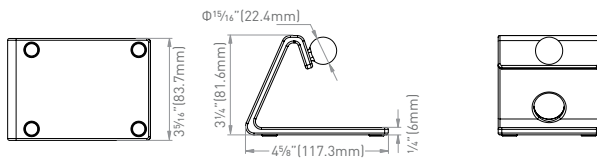
Doorway Security / Rear Camera



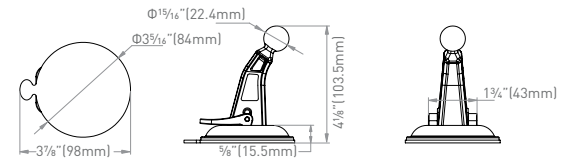
Interior Wall Mount (Sold Separately)



Interior Table Stand



Windshield Mount



Part Number	Product
FOS07TASF	

Specifications

Camera

Night Vision Distance	<16ft (5m)
CMOS Size	1/3"
Optical Lens	F2.0
IR Cut Filter	850nm Automatic
View Angle/Degree	120°
Working Current (IR ON)	<400mA@12V
Working Current (IR OFF)	<250mA@12V
Camera Pixel	720 x 480
Waterproof	IP65

Monitor

LCD Backlight ON	<500mA@12V
LCD Backlight OFF	<300mA@12V
LCD Size	7"
LCD Resolution at 1View	720 x 480
LCD Brightness	170 cd/m2
LCD Contrast	300:1
LCD Viewing Angle	L/R80, U60, D70
LCD Aspect Ratio	16:9
Channel Bandwidth	20MHz

Camera/Monitor

Supply Voltage	DC8 to 30V
Wireless Frequency	2.4GHz
Wireless Range	<492.13ft (150m) (open area)
Emitting Power	18+/-2 dBm
Transmitting Speed	6 Mbps (single)
RF Modulation	OFDM
Receiving Sensitivity	-88 +/--3dBm
Decompression Form	H.264
Delaying Time	<250ms
Type Approval	FCC Part 15

Dimensions/Weight

Individual Packaging Dimensions (W x H x D)	9.6 x 9.8 x 3.78" (243 x 248 x 96mm)
Net weight (lbs/kgs)	2/0.9
Gross weight (lbs/kgs)	3.1/1.4

Master Carton

Quantity per Master Carton	4
Master Carton Dimensions (W x H x D)	10.43 x 19.96 x 8.43" (265 x 507 x 214mm)
Master Carton Gross Weight (lbs/kg)	12.6/5.7

FOS07TASF-V1.5

