

FURRION VISION S

VEHICLE OBSERVATION SYSTEM
VISION S 7" SINGLE CAMERA SYSTEM
WITH MARKER LIGHT

FOS07TASR



REAR CAMERA WITH MAKER LIGHT



7" MONITOR



INTERIOR TABLE STAND



WINDSHIELD MOUNT

MONITOR & ACCESSORIES



DIGITAL WIRELESS



TOUCH SCREEN



ANTI-GLARE



REAR ASSIST MARKER LINES



SECURITY CAMERA AUTO-WAKE



DISPLAY UP TO 4 CAMERAS*



AUDIO



WINDSHIELD MOUNT



INTERIOR TABLE STAND



INTERIOR WALL MOUNT (sold separately)

REAR CAMERA WITH MAKER LIGHT



CMOS 120° VIEW ANGLE



INFRARED NIGHT VISION



CAMERA RESOLUTION



INTELLIGENT IR CUT FILTER



MOTION DETECT



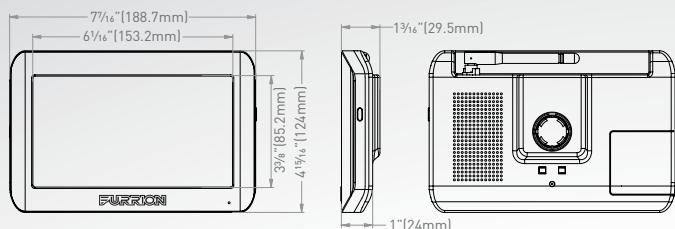
WATERPROOF

* Additional feature when paired with multiple cameras (sold separately)

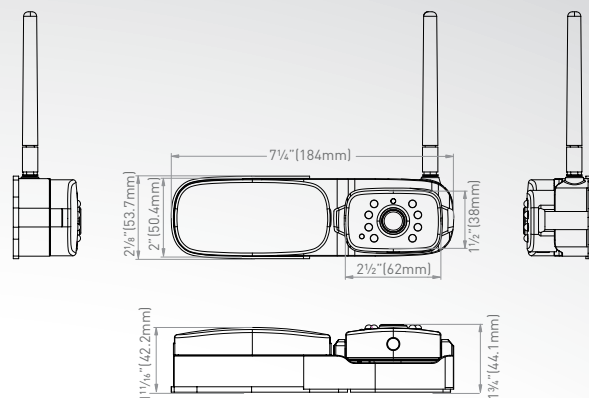


FOS07TASR | VISION S 7" SINGLE CAMERA SYSTEM WITH MARKER LIGHT

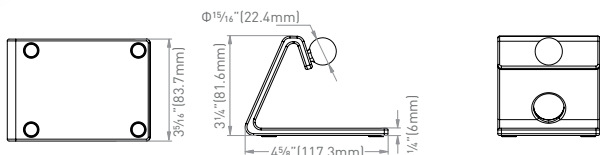
Monitor



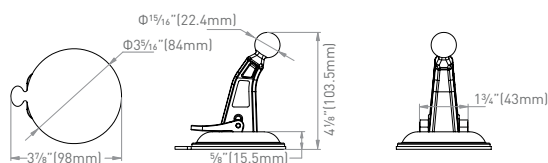
Rear Camera with Marker Light



Interior Table Stand



Windshield Mount



Part Number	Product
FOS07TASR	

Specifications

Camera

Night Vision Distance	<16.4ft (5m)
CMOS Size	1/3"
Optical Lens	F2.0
IR Cut Filter	850nm Automatic
View Angle/Degree	120°
Working Current (IR ON)	<400mA@12V
Working Current (IR OFF)	<250mA@12V
Camera Pixel	720 x 480
Waterproof	IP65

Monitor

LCD Backlight ON	<500mA@12V
LCD Backlight OFF	<300mA@12V
LCD Size	7"
LCD Resolution at 1View	720 x 480
LCD Brightness	180 cd/m ²
LCD Contrast	350:1
LCD Viewing Angle	L/R65, U50, D60
LCD Aspect Ratio	16:9
Channel Bandwidth	20MHz

Camera/Monitor

Supply Voltage	DC8 to 30V
Wireless Frequency	2.4GHz
Wireless Range	<492.13ft (150m) (open area)
Emitting Power	18+/-2 dBm
Transmitting Speed	6 Mbps (single)
RF Modulation	OFDM
Receiving Sensitivity	-88 +/-3dBm
Decompression Form	H.264
Delaying Time	<250ms
Type Approval	FCC Part 15